



Orsini

TRACK SPOTLIGHT | **NON-DALI SERIES**

A flexible and adjustable spotlight that emphasizes areas in your store or gallery. The spotlight will answer your requirements through simple and efficient design that offers an adjustable light beam angle between 21° and 28° for directional and accent lighting.

Orsini has several series, determined by various add-on and controls:

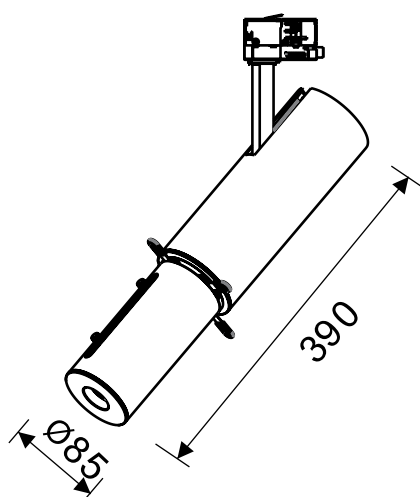
- Orsini Non-DALI: the standard version
- Orsini DALI – with DALI controls for illumination adjustments

APPLICATION

Grocery & Supermarket | Retail | Art & Exhibition

FEATURES & BENEFITS

- CRI 90 as standard
- Color temperatures: 3000K and 4000K
- Angle: adjustable (21° and 28°)



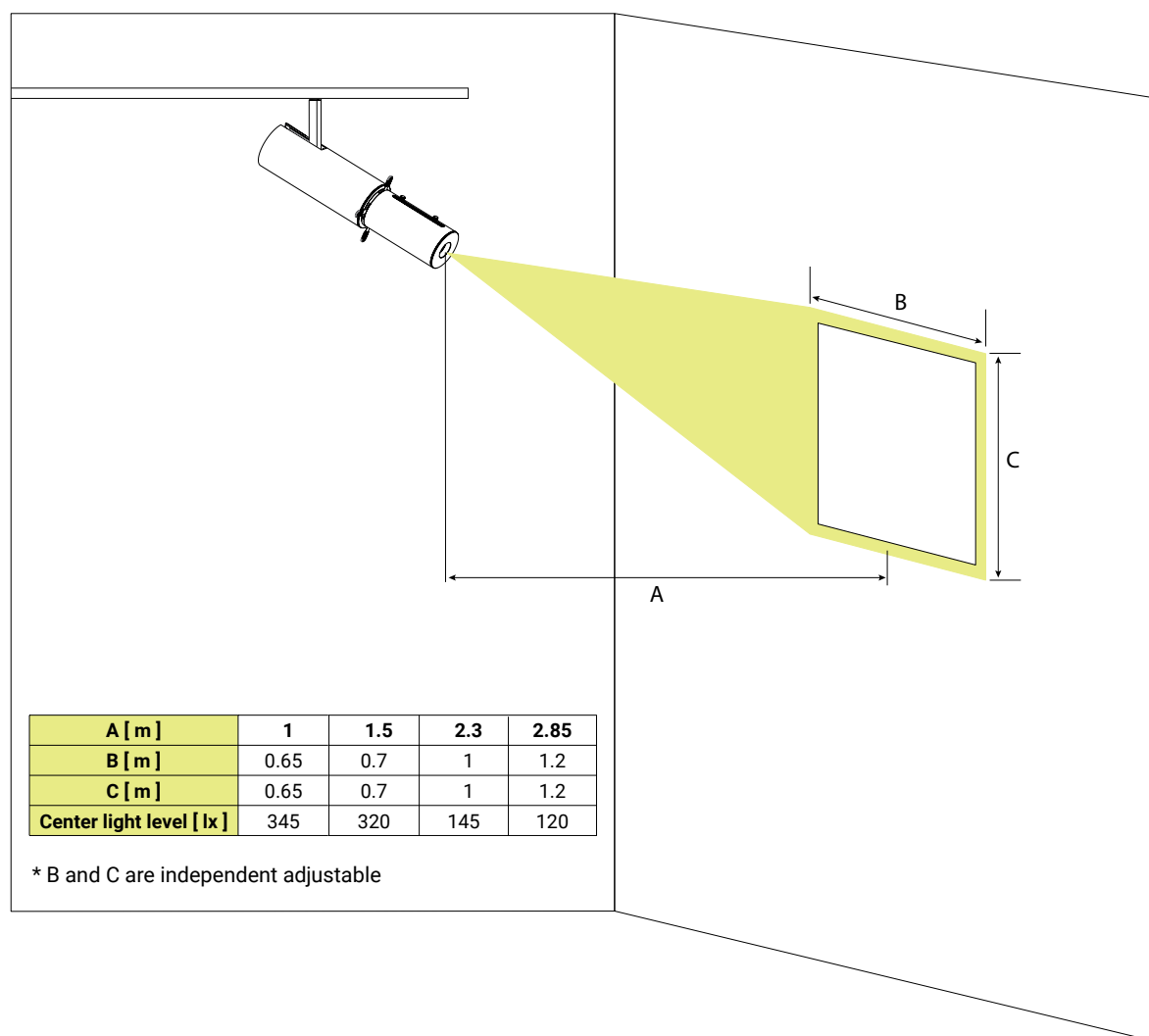
SPECIFICATIONS

Power consumption	30W
Dimensions	Ø85x390±1mm
Weight	2 Kg
Housing materials	Aluminium, Glass
Protection class	Safety class II
Power factor	>0.9
Operating temperature [°C]	+5°C ... +45°C
AC Input [Vac]	220 - 240 VAC
Lens angle [°]	AVAR (21° to 28°)
Lifespan [h]	50.000
Housing color	Black, White (available on request)
IP factor	IP20
Control optional	-
Warranty [years]	5

#	Standard
CRI	CRI 90
CCT [K]	3000K/4000K
MacAdam	3

CRI - Color rendering, CCT - Color temperature, MacAdam - Color consistency

PHOTOMETRY



SKU SPECIFICATIONS

Product Code	Dimensions (mm)	CCT (K)	Lumens (lm)	Power (W)	Eff. (lm/watt)	Lens Angle (°)
CRI 90						
1D7ES27 Orsini S34835/3000K/30W/90/AVAR	Ø85x390±1mm	3000K	300	30W	10	AVAR
1D7ES28 Orsini S34835/4000K/30W/90/AVAR	Ø85x390±1mm	4000K	300	30W	10	AVAR