



Casey

DAMP-PROOF | TEC EM SERIES

A surface-mounted, waterproof lighting fixture suitable for industrial applications. It has a wide beam angle of 130 degrees. Suitable for use in damp or dusty conditions thanks to the extra protection factor.

Low-maintenance luminaire that is easy to clean and offers few surfaces on which dirt can settle. High energy-saving potential, even for extensively used lighting needs in spaces such as logistic and industrial, warehouses.

Housing made of curved-lines polycarbonate and equipped with high quality polyurethane gasket for high durability. With an IP65 protection factor.

Casey damp-proof luminaires come in several series, with various add-on and controls:

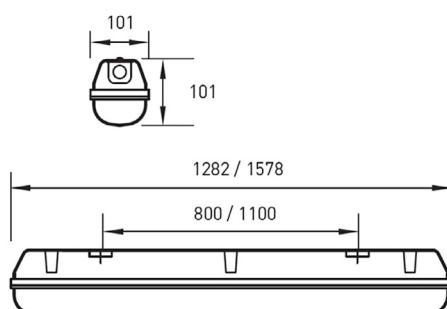
- Casey TEC – the standard for any project in the retail sectors, works down to -10 degrees Celsius
- Casey TEC EM – series with emergency lighting kit, works down to +5 degrees Celsius
- Casey ECO-DALI – with DALI controls for dimming, works down to -10 degrees Celsius

Features & Benefits

- CRI 80 as standard
- 4 color temperatures: 3000K, 4000K, 5000K and 6500K
- Long rated life – L90/B10 at 50,000h
- High luminaire efficiency: 155 lm/W @4000K

Applications

Industrial & Logistic | Parking



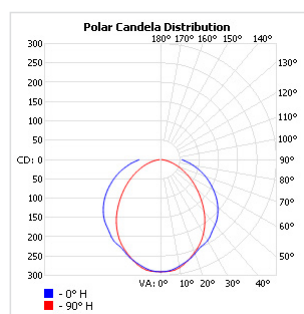
Specifications

Power consumption	15W, 25W, 32W, 38W, 50W	23W, 33W, 37W, 50W, 60W
Dimensions	1282 x 101 x 101 ± 1mm	1578 x 101 x 101 ± 1mm
Weight	2.2 - 2.3Kg	2.6 - 2.7Kg
Housing materials	Polycarbonate	
IK code	IK08	
THD (at 230V, 50Hz, Full load)	<8%	
Protection class	Safety class 1	
Operating temperature [°C]	+5C...+45C/+41F...+113F	
Operating humidity [%]	10 ÷ 85	
Power factor	≥0.95	
AC Input [Vac]	220 - 240 VAC	
Lens angle [°]	130°	
Lifespan [h]	50,000	
Housing color	● RAL7035 - Light grey	
Lumen maintenance	L90/B10@50.000h at 25°C	
IP factor	IP65	
Control optional	-	
Warranty [years]	5	
Storage temperature range [°C]	+5C...+25C/+41F...+77F	
Emergency option	EM1H , EM3H	

Light application	Standard
CRI	CRI 80
CCT [K]	3000K/4000K/5000K/6500K
MacAdam	4

CRI - Color rendering, CCT - Color temperature, MacAdam - Color consistency

Light distribution



RISK GROUP**RG1**

The evaluation of photobiological safety is carried out according to the standard IEC 62471:2008 ("Photobiological safety of lamps and lamp systems"). Following the definition of the risk grouping system of the mentioned IEC standard, the LEDs mounted on this family fall into the class "Low Risk (RG1 – No photobiological hazard under normal behavioral limitations)". Under real circumstances (regarding exposure time, pupils, observation distance), it is assumed that there is no endangerment to the eye from these devices. As a matter of principle, however, it should be mentioned that intense light sources have a high secondary exposure potential due to their blinding effect.

TOLERANCES

Luminous flux tolerances: -/+ 5%

Consumption tolerance: -/+ 5% for TEC | -/+ 10% for TEC & KIT EM | -/+ 10% for ECO-DALI | -/+ 15% for ECO-DALI & KIT EM

BATTERY WARRANTY

TEC EM & ECO EM: 12 months warranty

TEC & ECO: -

MAXIMUM NO. OF LUMINAIRES ON A CIRCUIT

Power	Driver type	Control type	Circuit Breaker Type						
			Amperage	B			C		
				20	16	10	20	16	10
< 50W		TEC		37	30	18	62	51	31
≥ 50W		TEC		37	30	18	62	51	31
< 80W		ECO		27	21	13	45	35	21

SKU SPECIFICATIONS

Product Code	Dimensions (mm)	CCT (K)	Lumens (lm)	Power (W)	Eff. (lm/watt)	Lens Angle (°)
CRI 80						
103080 Casey 120IP65/3000/15W/80/EM1H	1282 x 101 x 101 ± 1mm	3000	2040	15W	136	130°
103081 Casey 120IP65/4000/15W/80/EM1H	1282 x 101 x 101 ± 1mm	4000	2125	15W	142	130°
103082 Casey 120IP65/5000/15W/80/EM1H	1282 x 101 x 101 ± 1mm	5000	2185	15W	146	130°
103083 Casey 120IP65/6500/15W/80/EM1H	1282 x 101 x 101 ± 1mm	6500	2125	15W	142	130°
103124 Casey 120IP65/3000/25W/80/EM1H	1282 x 101 x 101 ± 1mm	3000	3480	25W	140	130°
103125 Casey 120IP65/4000/25W/80/EM1H	1282 x 101 x 101 ± 1mm	4000	3625	25W	145	130°
103126 Casey 120IP65/5000/25W/80/EM1H	1282 x 101 x 101 ± 1mm	5000	3725	25W	149	130°
103127 Casey 120IP65/6500/25W/80/EM1H	1282 x 101 x 101 ± 1mm	6500	3625	25W	145	130°
103084 Casey 120IP65/3000/32W/80/EM1H	1282 x 101 x 101 ± 1mm	3000	4460	32W	140	130°
103085 Casey 120IP65/4000/32W/80/EM1H	1282 x 101 x 101 ± 1mm	4000	4650	32W	146	130°
103086 Casey 120IP65/5000/32W/80/EM1H	1282 x 101 x 101 ± 1mm	5000	4775	32W	150	130°
103087 Casey 120IP65/6500/32W/80/EM1H	1282 x 101 x 101 ± 1mm	6500	4650	32W	146	130°
103088 Casey 120IP65/3000/38W/80/EM1H	1282 x 101 x 101 ± 1mm	3000	5115	38W	135	130°
103089 Casey 120IP65/4000/38W/80/EM1H	1282 x 101 x 101 ± 1mm	4000	5335	38W	141	130°
103090 Casey 120IP65/5000/38W/80/EM1H	1282 x 101 x 101 ± 1mm	5000	5475	38W	145	130°
103091 Casey 120IP65/6500/38W/80/EM1H	1282 x 101 x 101 ± 1mm	6500	5335	38W	141	130°
103276 Casey 120IP65/3000/50W/80/EM1H	1282 x 101 x 101 ± 1mm	3000	6335	50W	127	130°
103277 Casey 120IP65/4000/50W/80/EM1H	1282 x 101 x 101 ± 1mm	4000	6605	50W	133	130°
103278 Casey 120IP65/5000/50W/80/EM1H	1282 x 101 x 101 ± 1mm	5000	6785	50W	136	130°
103279 Casey 120IP65/6500/50W/80/EM1H	1282 x 101 x 101 ± 1mm	6500	6605	50W	133	130°
103092 Casey 150IP65/3000/23W/80/EM1H	1578 x 101 x 101 ± 1mm	3000	3180	23W	139	130°
103093 Casey 150IP65/4000/23W/80/EM1H	1578 x 101 x 101 ± 1mm	4000	3315	23W	145	130°
103094 Casey 150IP65/5000/23W/80/EM1H	1578 x 101 x 101 ± 1mm	5000	3405	23W	149	130°
103095 Casey 150IP65/6500/23W/80/EM1H	1578 x 101 x 101 ± 1mm	6500	3315	23W	145	130°
103128 Casey 150IP65/3000/33W/80/EM1H	1578 x 101 x 101 ± 1mm	3000	4615	33W	140	130°
103129 Casey 150IP65/4000/33W/80/EM1H	1578 x 101 x 101 ± 1mm	4000	4810	33W	146	130°
103130 Casey 150IP65/5000/33W/80/EM1H	1578 x 101 x 101 ± 1mm	5000	4940	33W	150	130°
103131 Casey 150IP65/6500/33W/80/EM1H	1578 x 101 x 101 ± 1mm	6500	4810	33W	146	130°
103096 Casey 150IP65/3000/37W/80/EM1H	1578 x 101 x 101 ± 1mm	3000	5470	37W	148	130°
103097 Casey 150IP65/4000/37W/80/EM1H	1578 x 101 x 101 ± 1mm	4000	5705	37W	155	130°
103098 Casey 150IP65/5000/37W/80/EM1H	1578 x 101 x 101 ± 1mm	5000	5855	37W	159	130°
103099 Casey 150IP65/6500/37W/80/EM1H	1578 x 101 x 101 ± 1mm	6500	5705	37W	155	130°
103100 Casey 150IP65/3000/50W/80/EM1H	1578 x 101 x 101 ± 1mm	3000	6730	50W	135	130°
103101 Casey 150IP65/4000/50W/80/EM1H	1578 x 101 x 101 ± 1mm	4000	7010	50W	141	130°
103102 Casey 150IP65/5000/50W/80/EM1H	1578 x 101 x 101 ± 1mm	5000	7200	50W	144	130°
103103 Casey 150IP65/6500/50W/80/EM1H	1578 x 101 x 101 ± 1mm	6500	7010	50W	141	130°
103104 Casey 150IP65/3000/60W/80/EM1H	1578 x 101 x 101 ± 1mm	3000	7705	60W	129	130°
103105 Casey 150IP65/4000/60W/80/EM1H	1578 x 101 x 101 ± 1mm	4000	8030	60W	134	130°
103106 Casey 150IP65/5000/60W/80/EM1H	1578 x 101 x 101 ± 1mm	5000	8245	60W	138	130°
103107 Casey 150IP65/6500/60W/80/EM1H	1578 x 101 x 101 ± 1mm	6500	8030	60W	134	130°
103140 Casey 120IP65/3000/15W/80/EM3H	1282 x 101 x 101 ± 1mm	3000	2040	15W	136	130°
103141 Casey 120IP65/4000/15W/80/EM3H	1282 x 101 x 101 ± 1mm	4000	2125	15W	142	130°
103142 Casey 120IP65/5000/15W/80/EM3H	1282 x 101 x 101 ± 1mm	5000	2185	15W	146	130°
103143 Casey 120IP65/6500/15W/80/EM3H	1282 x 101 x 101 ± 1mm	6500	2125	15W	142	130°
103144 Casey 120IP65/3000/25W/80/EM3H	1282 x 101 x 101 ± 1mm	3000	3480	25W	140	130°
103145 Casey 120IP65/4000/25W/80/EM3H	1282 x 101 x 101 ± 1mm	4000	3625	25W	145	130°
103146 Casey 120IP65/5000/25W/80/EM3H	1282 x 101 x 101 ± 1mm	5000	3725	25W	149	130°
103147 Casey 120IP65/6500/25W/80/EM3H	1282 x 101 x 101 ± 1mm	6500	3625	25W	145	130°
103148 Casey 120IP65/3000/32W/80/EM3H	1282 x 101 x 101 ± 1mm	3000	4460	32W	140	130°
103149 Casey 120IP65/4000/32W/80/EM3H	1282 x 101 x 101 ± 1mm	4000	4650	32W	146	130°
103150 Casey 120IP65/5000/32W/80/EM3H	1282 x 101 x 101 ± 1mm	5000	4775	32W	150	130°
103151 Casey 120IP65/6500/32W/80/EM3H	1282 x 101 x 101 ± 1mm	6500	4650	32W	146	130°

SKU SPECIFICATIONS

Product Code	Dimensions (mm)	CCT (K)	Lumens (lm)	Power (W)	Eff. (lm/watt)	Lens Angle (°)
CRI 80						
103152 Casey 120IP65/3000/38W/80/EM3H	1282 x 101 x 101 ± 1mm	3000	5115	38W	135	130°
103153 Casey 120IP65/4000/38W/80/EM3H	1282 x 101 x 101 ± 1mm	4000	5335	38W	141	130°
103154 Casey 120IP65/5000/38W/80/EM3H	1282 x 101 x 101 ± 1mm	5000	5475	38W	145	130°
103155 Casey 120IP65/6500/38W/80/EM3H	1282 x 101 x 101 ± 1mm	6500	5335	38W	141	130°
103280 Casey 120IP65/3000/50W/80/EM3H	1282 x 101 x 101 ± 1mm	3000	6335	50W	127	130°
103281 Casey 120IP65/4000/50W/80/EM3H	1282 x 101 x 101 ± 1mm	4000	6605	50W	133	130°
103282 Casey 120IP65/5000/50W/80/EM3H	1282 x 101 x 101 ± 1mm	5000	6785	50W	136	130°
103283 Casey 120IP65/6500/50W/80/EM3H	1282 x 101 x 101 ± 1mm	6500	6605	50W	133	130°
103156 Casey 150IP65/3000/23W/80/EM3H	1578 x 101 x 101 ± 1mm	3000	3180	23W	139	130°
103157 Casey 150IP65/4000/23W/80/EM3H	1578 x 101 x 101 ± 1mm	4000	3315	23W	145	130°
103158 Casey 150IP65/5000/23W/80/EM3H	1578 x 101 x 101 ± 1mm	5000	3405	23W	149	130°
103159 Casey 150IP65/6500/23W/80/EM3H	1578 x 101 x 101 ± 1mm	6500	3315	23W	145	130°
103172 Casey 150IP65/3000/33W/80/EM3H	1578 x 101 x 101 ± 1mm	3000	4615	33W	140	130°
103173 Casey 150IP65/4000/33W/80/EM3H	1578 x 101 x 101 ± 1mm	4000	4810	33W	146	130°
103174 Casey 150IP65/5000/33W/80/EM3H	1578 x 101 x 101 ± 1mm	5000	4940	33W	150	130°
103175 Casey 150IP65/6500/33W/80/EM3H	1578 x 101 x 101 ± 1mm	6500	4810	33W	146	130°
103160 Casey 150IP65/3000/37W/80/EM3H	1578 x 101 x 101 ± 1mm	3000	5470	37W	148	130°
103161 Casey 150IP65/4000/37W/80/EM3H	1578 x 101 x 101 ± 1mm	4000	5705	37W	155	130°
103162 Casey 150IP65/5000/37W/80/EM3H	1578 x 101 x 101 ± 1mm	5000	5855	37W	159	130°
103163 Casey 150IP65/6500/37W/80/EM3H	1578 x 101 x 101 ± 1mm	6500	5705	37W	155	130°
103164 Casey 150IP65/3000/50W/80/EM3H	1578 x 101 x 101 ± 1mm	3000	6730	50W	135	130°
103165 Casey 150IP65/4000/50W/80/EM3H	1578 x 101 x 101 ± 1mm	4000	7010	50W	141	130°
103166 Casey 150IP65/5000/50W/80/EM3H	1578 x 101 x 101 ± 1mm	5000	7200	50W	144	130°
103167 Casey 150IP65/6500/50W/80/EM3H	1578 x 101 x 101 ± 1mm	6500	7010	50W	141	130°
103168 Casey 150IP65/3000/60W/80/EM3H	1578 x 101 x 101 ± 1mm	3000	7705	60W	129	130°
103169 Casey 150IP65/4000/60W/80/EM3H	1578 x 101 x 101 ± 1mm	4000	8030	60W	134	130°
103170 Casey 150IP65/5000/60W/80/EM3H	1578 x 101 x 101 ± 1mm	5000	8245	60W	138	130°
103171 Casey 150IP65/6500/60W/80/EM3H	1578 x 101 x 101 ± 1mm	6500	8030	60W	134	130°
103184 Casey 120IP65/3000/15W/80/DSPC/EM1H	1282 x 101 x 101 ± 1mm	3000	2040	15W	136	130°
103185 Casey 120IP65/4000/15W/80/DSPC/EM1H	1282 x 101 x 101 ± 1mm	4000	2125	15W	142	130°
103186 Casey 120IP65/5000/15W/80/DSPC/EM1H	1282 x 101 x 101 ± 1mm	5000	2185	15W	146	130°
103187 Casey 120IP65/6500/15W/80/DSPC/EM1H	1282 x 101 x 101 ± 1mm	6500	2125	15W	142	130°
103188 Casey 120IP65/3000/25W/80/DSPC/EM1H	1282 x 101 x 101 ± 1mm	3000	3480	25W	140	130°
103189 Casey 120IP65/4000/25W/80/DSPC/EM1H	1282 x 101 x 101 ± 1mm	4000	3625	25W	145	130°
103190 Casey 120IP65/5000/25W/80/DSPC/EM1H	1282 x 101 x 101 ± 1mm	5000	3725	25W	149	130°
103191 Casey 120IP65/6500/25W/80/DSPC/EM1H	1282 x 101 x 101 ± 1mm	6500	3625	25W	145	130°
103192 Casey 120IP65/3000/32W/80/DSPC/EM1H	1282 x 101 x 101 ± 1mm	3000	4460	32W	140	130°
103193 Casey 120IP65/4000/32W/80/DSPC/EM1H	1282 x 101 x 101 ± 1mm	4000	4650	32W	146	130°
103194 Casey 120IP65/5000/32W/80/DSPC/EM1H	1282 x 101 x 101 ± 1mm	5000	4775	32W	150	130°
103195 Casey 120IP65/6500/32W/80/DSPC/EM1H	1282 x 101 x 101 ± 1mm	6500	4650	32W	146	130°
103196 Casey 120IP65/3000/38W/80/DSPC/EM1H	1282 x 101 x 101 ± 1mm	3000	5115	38W	135	130°
103197 Casey 120IP65/4000/38W/80/DSPC/EM1H	1282 x 101 x 101 ± 1mm	4000	5335	38W	141	130°
103198 Casey 120IP65/5000/38W/80/DSPC/EM1H	1282 x 101 x 101 ± 1mm	5000	5475	38W	145	130°
103199 Casey 120IP65/6500/38W/80/DSPC/EM1H	1282 x 101 x 101 ± 1mm	6500	5335	38W	141	130°
103284 Casey 120IP65/3000/50W/80/DSPC/EM1H	1282 x 101 x 101 ± 1mm	3000	6335	50W	127	130°
103285 Casey 120IP65/4000/50W/80/DSPC/EM1H	1282 x 101 x 101 ± 1mm	4000	6605	50W	133	130°
103286 Casey 120IP65/5000/50W/80/DSPC/EM1H	1282 x 101 x 101 ± 1mm	5000	6785	50W	136	130°
103287 Casey 120IP65/6500/50W/80/DSPC/EM1H	1282 x 101 x 101 ± 1mm	6500	6605	50W	133	130°
103200 Casey 150IP65/3000/23W/80/DSPC/EM1H	1578 x 101 x 101 ± 1mm	3000	3180	23W	139	130°
103201 Casey 150IP65/4000/23W/80/DSPC/EM1H	1578 x 101 x 101 ± 1mm	4000	3315	23W	145	130°
103202 Casey 150IP65/5000/23W/80/DSPC/EM1H	1578 x 101 x 101 ± 1mm	5000	3405	23W	149	130°
103203 Casey 150IP65/6500/23W/80/DSPC/EM1H	1578 x 101 x 101 ± 1mm	6500	3315	23W	145	130°

SKU SPECIFICATIONS

Product Code	Dimensions (mm)	CCT (K)	Lumens (lm)	Power (W)	Eff. (lm/watt)	Lens Angle (°)
CRI 80						
103216 Casey 150IP65/3000/33W/80/DSPC/EM1H	1578 x 101 x 101 ± 1mm	3000	4615	33W	140	130°
103217 Casey 150IP65/4000/33W/80/DSPC/EM1H	1578 x 101 x 101 ± 1mm	4000	4810	33W	146	130°
103218 Casey 150IP65/5000/33W/80/DSPC/EM1H	1578 x 101 x 101 ± 1mm	5000	4940	33W	150	130°
103219 Casey 150IP65/6500/33W/80/DSPC/EM1H	1578 x 101 x 101 ± 1mm	6500	4810	33W	146	130°
103204 Casey 150IP65/3000/37W/80/DSPC/EM1H	1578 x 101 x 101 ± 1mm	3000	5470	37W	148	130°
103205 Casey 150IP65/4000/37W/80/DSPC/EM1H	1578 x 101 x 101 ± 1mm	4000	5705	37W	155	130°
103206 Casey 150IP65/5000/37W/80/DSPC/EM1H	1578 x 101 x 101 ± 1mm	5000	5855	37W	159	130°
103207 Casey 150IP65/6500/37W/80/DSPC/EM1H	1578 x 101 x 101 ± 1mm	6500	5705	37W	155	130°
103208 Casey 150IP65/3000/50W/80/DSPC/EM1H	1578 x 101 x 101 ± 1mm	3000	6730	50W	135	130°
103209 Casey 150IP65/4000/50W/80/DSPC/EM1H	1578 x 101 x 101 ± 1mm	4000	7010	50W	141	130°
103210 Casey 150IP65/5000/50W/80/DSPC/EM1H	1578 x 101 x 101 ± 1mm	5000	7200	50W	144	130°
103211 Casey 150IP65/6500/50W/80/DSPC/EM1H	1578 x 101 x 101 ± 1mm	6500	7010	50W	141	130°
103212 Casey 150IP65/3000/60W/80/DSPC/EM1H	1578 x 101 x 101 ± 1mm	3000	7705	60W	129	130°
103213 Casey 150IP65/4000/60W/80/DSPC/EM1H	1578 x 101 x 101 ± 1mm	4000	8030	60W	134	130°
103214 Casey 150IP65/5000/60W/80/DSPC/EM1H	1578 x 101 x 101 ± 1mm	5000	8245	60W	138	130°
103215 Casey 150IP65/6500/60W/80/DSPC/EM1H	1578 x 101 x 101 ± 1mm	6500	8030	60W	134	130°
103228 Casey 120IP65/3000/15W/80/DSPC/EM3H	1282 x 101 x 101 ± 1mm	3000	2040	15W	136	130°
103229 Casey 120IP65/4000/15W/80/DSPC/EM3H	1282 x 101 x 101 ± 1mm	4000	2125	15W	142	130°
103230 Casey 120IP65/5000/15W/80/DSPC/EM3H	1282 x 101 x 101 ± 1mm	5000	2185	15W	146	130°
103231 Casey 120IP65/6500/15W/80/DSPC/EM3H	1282 x 101 x 101 ± 1mm	6500	2125	15W	142	130°
103232 Casey 120IP65/3000/25W/80/DSPC/EM3H	1282 x 101 x 101 ± 1mm	3000	3480	25W	140	130°
103233 Casey 120IP65/4000/25W/80/DSPC/EM3H	1282 x 101 x 101 ± 1mm	4000	3625	25W	145	130°
103234 Casey 120IP65/5000/25W/80/DSPC/EM3H	1282 x 101 x 101 ± 1mm	5000	3725	25W	149	130°
103235 Casey 120IP65/6500/25W/80/DSPC/EM3H	1282 x 101 x 101 ± 1mm	6500	3625	25W	145	130°
103236 Casey 120IP65/3000/32W/80/DSPC/EM3H	1282 x 101 x 101 ± 1mm	3000	4460	32W	140	130°
103237 Casey 120IP65/4000/32W/80/DSPC/EM3H	1282 x 101 x 101 ± 1mm	4000	4650	32W	146	130°
103238 Casey 120IP65/5000/32W/80/DSPC/EM3H	1282 x 101 x 101 ± 1mm	5000	4775	32W	150	130°
103239 Casey 120IP65/6500/32W/80/DSPC/EM3H	1282 x 101 x 101 ± 1mm	6500	4650	32W	146	130°
103240 Casey 120IP65/3000/38W/80/DSPC/EM3H	1282 x 101 x 101 ± 1mm	3000	5115	38W	135	130°
103241 Casey 120IP65/4000/38W/80/DSPC/EM3H	1282 x 101 x 101 ± 1mm	4000	5335	38W	141	130°
103242 Casey 120IP65/5000/38W/80/DSPC/EM3H	1282 x 101 x 101 ± 1mm	5000	5475	38W	145	130°
103243 Casey 120IP65/6500/38W/80/DSPC/EM3H	1282 x 101 x 101 ± 1mm	6500	5335	38W	141	130°
103288 Casey 120IP65/3000/50W/80/DSPC/EM3H	1282 x 101 x 101 ± 1mm	3000	6335	50W	127	130°
103289 Casey 120IP65/4000/50W/80/DSPC/EM3H	1282 x 101 x 101 ± 1mm	4000	6605	50W	133	130°
103290 Casey 120IP65/5000/50W/80/DSPC/EM3H	1282 x 101 x 101 ± 1mm	5000	6785	50W	136	130°
103291 Casey 120IP65/6500/50W/80/DSPC/EM3H	1282 x 101 x 101 ± 1mm	6500	6605	50W	133	130°
103244 Casey 150IP65/3000/23W/80/DSPC/EM3H	1578 x 101 x 101 ± 1mm	3000	3180	23W	139	130°
103245 Casey 150IP65/4000/23W/80/DSPC/EM3H	1578 x 101 x 101 ± 1mm	4000	3315	23W	145	130°
103246 Casey 150IP65/5000/23W/80/DSPC/EM3H	1578 x 101 x 101 ± 1mm	5000	3405	23W	149	130°
103247 Casey 150IP65/6500/23W/80/DSPC/EM3H	1578 x 101 x 101 ± 1mm	6500	3315	23W	145	130°
103260 Casey 150IP65/3000/33W/80/DSPC/EM3H	1578 x 101 x 101 ± 1mm	3000	4615	33W	140	130°
103261 Casey 150IP65/4000/33W/80/DSPC/EM3H	1578 x 101 x 101 ± 1mm	4000	4810	33W	146	130°
103262 Casey 150IP65/5000/33W/80/DSPC/EM3H	1578 x 101 x 101 ± 1mm	5000	4940	33W	150	130°
103263 Casey 150IP65/6500/33W/80/DSPC/EM3H	1578 x 101 x 101 ± 1mm	6500	4810	33W	146	130°
103248 Casey 150IP65/3000/37W/80/DSPC/EM3H	1578 x 101 x 101 ± 1mm	3000	5470	37W	148	130°
103249 Casey 150IP65/4000/37W/80/DSPC/EM3H	1578 x 101 x 101 ± 1mm	4000	5705	37W	155	130°
103250 Casey 150IP65/5000/37W/80/DSPC/EM3H	1578 x 101 x 101 ± 1mm	5000	5855	37W	159	130°
103251 Casey 150IP65/6500/37W/80/DSPC/EM3H	1578 x 101 x 101 ± 1mm	6500	5705	37W	155	130°
103252 Casey 150IP65/3000/50W/80/DSPC/EM3H	1578 x 101 x 101 ± 1mm	3000	6730	50W	135	130°
103253 Casey 150IP65/4000/50W/80/DSPC/EM3H	1578 x 101 x 101 ± 1mm	4000	7010	50W	141	130°
103254 Casey 150IP65/5000/50W/80/DSPC/EM3H	1578 x 101 x 101 ± 1mm	5000	7200	50W	144	130°
103255 Casey 150IP65/6500/50W/80/DSPC/EM3H	1578 x 101 x 101 ± 1mm	6500	7010	50W	141	130°

SKU SPECIFICATIONS

Product Code	Dimensions (mm)	CCT (K)	Lumens (lm)	Power (W)	Eff. (lm/watt)	Lens Angle (°)
CRI 80						
103256 Casey 150IP65/3000/60W/80/DSPC/EM3H	1578 x 101 x 101 ± 1mm	3000	7705	60W	129	130°
103257 Casey 150IP65/4000/60W/80/DSPC/EM3H	1578 x 101 x 101 ± 1mm	4000	8030	60W	134	130°
103258 Casey 150IP65/5000/60W/80/DSPC/EM3H	1578 x 101 x 101 ± 1mm	5000	8245	60W	138	130°
103259 Casey 150IP65/6500/60W/80/DSPC/EM3H	1578 x 101 x 101 ± 1mm	6500	8030	60W	134	130°