



Casey

DAMP-PROOF | ECO-DALI SERIES

A surface-mounted, waterproof lighting fixture suitable for industrial applications. It has a wide beam angle of 130 degrees. Suitable for use in damp or dusty conditions thanks to the extra protection factor.

Low-maintenance luminaire that is easy to clean and offers few surfaces on which dirt can settle. High energy-saving potential, even for extensively used lighting needs in spaces such as logistic and industrial, warehouses.

Housing made of curved-lines polycarbonate and equipped with high quality polyurethane gasket for high durability. With an IP65 protection factor.

Casey damp-proof luminaires come in several series, with various add-on and controls:

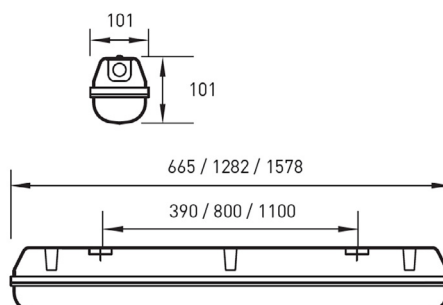
- Casey TEC – the standard for any project in the retail sectors, works down to -10 degrees Celsius
- Casey TEC EM – series with emergency lighting kit, works down to +5 degrees Celsius
- Casey ECO-DALI – with DALI controls for dimming, works down to -25 degrees Celsius

Features & Benefits

- CRI 80 as standard
- 4 color temperatures: 3000K, 4000K, 5000K and 6500K
- Long rated life – L90/B10 at 50,000h
- High luminaire efficiency: 155 lm/W @4000K

Applications

Industrial & Logistic | Parking



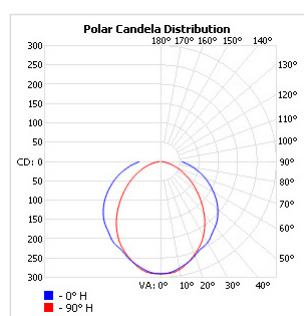
Specifications

Power consumption	8W, 15W	15W, 25W, 32W, 38W, 50W	23W, 33W, 37W, 50W, 60W
Dimensions	665 x 101 x 101 ± 1mm	1282 x 101 x 101 ± 1mm	1578 x 101 x 101 ± 1mm
Weight	1.2Kg	2.0Kg	2.4Kg
Housing materials	Polycarbonate		
IK code	IK08		
THD (at 230V, 50Hz, Full load)	<9%		
Protection class	Safety class 1		
Operating temperature [°C]	-25 ... +45 °C / -13F ... +113F		
Operating humidity [%]	10 ÷ 85		
Power factor	≥0.95		
AC Input [Vac]	220 - 240 VAC		
Lens angle [°]	130°		
Lifespan [h]	50,000		
Housing color	● RAL7035 - Light grey		
Lumen maintenance	L90/B10@50.000h at 25°C		
IP factor	IP65		
Control optional	ECO-DALI		
Warranty [years]	5		
Storage temperature range [°C]	-25...+55°C / -13F ... +131F		
Emergency option	-		

Light application	Standard
CRI	CRI 80
CCT [K]	3000K/4000K/5000K/6500K
MacAdam	4

CRI - Color rendering, CCT - Color temperature, MacAdam - Color consistency

Light distribution



A130

RISK GROUP**RG1**

The evaluation of photobiological safety is carried out according to the standard IEC 62471:2008 ("Photobiological safety of lamps and lamp systems"). Following the definition of the risk grouping system of the mentioned IEC standard, the LEDs mounted on this family fall into the class "Low Risk (RG1 – No photobiological hazard under normal behavioral limitations)". Under real circumstances (regarding exposure time, pupils, observation distance), it is assumed that there is no endangerment to the eye from these devices. As a matter of principle, however, it should be mentioned that intense light sources have a high secondary exposure potential due to their blinding effect.

TOLERANCES

Luminous flux tolerances: -/+ 5%

Consumption tolerance: -/+ 5% for TEC | -/+ 10% for TEC & KIT EM | -/+ 10% for ECO-DALI | -/+ 15% for ECO-DALI & KIT EM

BATTERY WARRANTY

TEC EM & ECO EM: 12 months warranty

TEC & ECO: -

MAXIMUM NO. OF LUMINAIRES ON A CIRCUIT

Power	Driver type	Control type	Circuit Breaker Type						
			Amperage	B			C		
				20	16	10	20	16	10
< 50W		TEC		37	30	18	62	51	31
≥ 50W		TEC		37	30	18	62	51	31
< 80W		ECO		27	21	13	45	35	21

SKU SPECIFICATIONS

Product Code	Dimensions (mm)	CCT (K)	Lumens (lm)	Power (W)	Eff. (lm/watt)	Lens Angle (°)
CRI 80						
203000 Casey 60IP65/3000/8W/80	665 x 101 x 101 ± 1mm	3000	960	8W	120	130°
203001 Casey/60IP65/4000/8W/80	665 x 101 x 101 ± 1mm	4000	1005	8W	126	130°
203002 Casey/60IP65/5000/8W/80	665 x 101 x 101 ± 1mm	5000	1030	8W	129	130°
203003 Casey/60IP65/6500/8W/80	665 x 101 x 101 ± 1mm	6500	1005	8W	126	130°
203004 Casey/60IP65/3000/15W/80	665 x 101 x 101 ± 1mm	3000	1775	15W	119	130°
203005 Casey/60IP65/4000/15W/80	665 x 101 x 101 ± 1mm	4000	1850	15W	124	130°
203006 Casey/60IP65/5000/15W/80	665 x 101 x 101 ± 1mm	5000	1900	15W	127	130°
203007 Casey/60IP65/6500/15W/80	665 x 101 x 101 ± 1mm	6500	1850	15W	124	130°
203008 Casey/120IP65/3000/15W/80	1282 x 101 x 101 ± 1mm	3000	2040	15W	136	130°
203009 Casey/120IP65/4000/15W/80	1282 x 101 x 101 ± 1mm	4000	2125	15W	142	130°
203010 Casey/120IP65/5000/15W/80	1282 x 101 x 101 ± 1mm	5000	2185	15W	146	130°
203011 Casey/120IP65/6500/15W/80	1282 x 101 x 101 ± 1mm	6500	2125	15W	142	130°
203108 Casey/120IP65/3000/25W/80	1282 x 101 x 101 ± 1mm	3000	3480	25W	140	130°
203109 Casey/120IP65/4000/25W/80	1282 x 101 x 101 ± 1mm	4000	3625	25W	145	130°
203110 Casey/120IP65/5000/25W/80	1282 x 101 x 101 ± 1mm	5000	3725	25W	149	130°
203111 Casey/120IP65/6500/25W/80	1282 x 101 x 101 ± 1mm	6500	3625	25W	145	130°
203012 Casey/120IP65/3000/32W/80	1282 x 101 x 101 ± 1mm	3000	4460	32W	140	130°
203013 Casey/120IP65/4000/32W/80	1282 x 101 x 101 ± 1mm	4000	4650	32W	146	130°
203014 Casey/120IP65/5000/32W/80	1282 x 101 x 101 ± 1mm	5000	4775	32W	150	130°
203015 Casey/120IP65/6500/32W/80	1282 x 101 x 101 ± 1mm	6500	4650	32W	146	130°
203016 Casey/120IP65/3000/38W/80	1282 x 101 x 101 ± 1mm	3000	5115	38W	135	130°
203017 Casey/120IP65/4000/38W/80	1282 x 101 x 101 ± 1mm	4000	5335	38W	141	130°
203018 Casey/120IP65/5000/38W/80	1282 x 101 x 101 ± 1mm	5000	5475	38W	145	130°
203019 Casey/120IP65/6500/38W/80	1282 x 101 x 101 ± 1mm	6500	5335	38W	141	130°
203268 Casey/120IP65/3000/50W/80	1282 x 101 x 101 ± 1mm	3000	6335	50W	127	130°
203269 Casey/120IP65/4000/50W/80	1282 x 101 x 101 ± 1mm	4000	6605	50W	133	130°
203270 Casey/120IP65/5000/50W/80	1282 x 101 x 101 ± 1mm	5000	6785	50W	136	130°
203271 Casey/120IP65/6500/50W/80	1282 x 101 x 101 ± 1mm	6500	6605	50W	133	130°
203020 Casey/150IP65/3000/23W/80	1578 x 101 x 101 ± 1mm	3000	3180	23W	139	130°
203021 Casey/150IP65/4000/23W/80	1578 x 101 x 101 ± 1mm	4000	3315	23W	145	130°
203022 Casey/150IP65/5000/23W/80	1578 x 101 x 101 ± 1mm	5000	3405	23W	149	130°
203023 Casey/150IP65/6500/23W/80	1578 x 101 x 101 ± 1mm	6500	3315	23W	145	130°
203112 Casey/150IP65/3000/33W/80	1578 x 101 x 101 ± 1mm	3000	4615	33W	140	130°
203113 Casey/150IP65/4000/33W/80	1578 x 101 x 101 ± 1mm	4000	4810	33W	146	130°
203114 Casey/150IP65/5000/33W/80	1578 x 101 x 101 ± 1mm	5000	4940	33W	150	130°
203115 Casey/150IP65/6500/33W/80	1578 x 101 x 101 ± 1mm	6500	4810	33W	146	130°
203024 Casey/150IP65/3000/37W/80	1578 x 101 x 101 ± 1mm	3000	5470	37W	148	130°
203025 Casey/150IP65/4000/37W/80	1578 x 101 x 101 ± 1mm	4000	5705	37W	155	130°
203026 Casey/150IP65/5000/37W/80	1578 x 101 x 101 ± 1mm	5000	5855	37W	159	130°
203027 Casey/150IP65/6500/37W/80	1578 x 101 x 101 ± 1mm	6500	5705	37W	155	130°
203028 Casey/150IP65/3000/50W/80	1578 x 101 x 101 ± 1mm	3000	6730	50W	135	130°
203029 Casey/150IP65/4000/50W/80	1578 x 101 x 101 ± 1mm	4000	7010	50W	141	130°
203030 Casey/150IP65/5000/50W/80	1578 x 101 x 101 ± 1mm	5000	7200	50W	144	130°
203031 Casey/150IP65/6500/50W/80	1578 x 101 x 101 ± 1mm	6500	7010	50W	141	130°
203032 Casey/150IP65/3000/60W/80	1578 x 101 x 101 ± 1mm	3000	7705	60W	129	130°
203033 Casey/150IP65/4000/60W/80	1578 x 101 x 101 ± 1mm	4000	8030	60W	134	130°
203034 Casey/150IP65/5000/60W/80	1578 x 101 x 101 ± 1mm	5000	8245	60W	138	130°
203035 Casey/150IP65/6500/60W/80	1578 x 101 x 101 ± 1mm	6500	8030	60W	134	130°
203036 Casey 60IP65/3000/8W/80/DSPC	665 x 101 x 101 ± 1mm	3000	960	8W	120	130°
203037 Casey 60IP65/4000/8W/80/DSPC	665 x 101 x 101 ± 1mm	4000	1005	8W	126	130°
203038 Casey 60IP65/5000/8W/80/DSPC	665 x 101 x 101 ± 1mm	5000	1030	8W	129	130°
203039 Casey 60IP65/6500/8W/80/DSPC	665 x 101 x 101 ± 1mm	6500	1005	8W	126	130°

SKU SPECIFICATIONS

Product Code	Dimensions (mm)	CCT (K)	Lumens (lm)	Power (W)	Eff. (lm/watt)	Lens Angle (°)
CRI 80						
203040 Casey 60IP65/3000/15W/80/DSPC	665 x 101 x 101 ± 1mm	3000	1775	15W	119	130°
203041 Casey 60IP65/4000/15W/80/DSPC	665 x 101 x 101 ± 1mm	4000	1850	15W	124	130°
203042 Casey 60IP65/5000/15W/80/DSPC	665 x 101 x 101 ± 1mm	5000	1900	15W	127	130°
203043 Casey 60IP65/6500/15W/80/DSPC	665 x 101 x 101 ± 1mm	6500	1850	15W	124	130°
203044 Casey 120IP65/3000/15W/80/DSPC	1282 x 101 x 101 ± 1mm	3000	2040	15W	136	130°
203045 Casey 120IP65/4000/15W/80/DSPC	1282 x 101 x 101 ± 1mm	4000	2125	15W	142	130°
203046 Casey 120IP65/5000/15W/80/DSPC	1282 x 101 x 101 ± 1mm	5000	2185	15W	146	130°
203047 Casey 120IP65/6500/15W/80/DSPC	1282 x 101 x 101 ± 1mm	6500	2125	15W	142	130°
203116 Casey 120IP65/3000/25W/80/DSPC	1282 x 101 x 101 ± 1mm	3000	3480	25W	140	130°
203117 Casey 120IP65/4000/25W/80/DSPC	1282 x 101 x 101 ± 1mm	4000	3625	25W	145	130°
203118 Casey 120IP65/5000/25W/80/DSPC	1282 x 101 x 101 ± 1mm	5000	3725	25W	149	130°
203119 Casey 120IP65/6500/25W/80/DSPC	1282 x 101 x 101 ± 1mm	6500	3625	25W	145	130°
203048 Casey 120IP65/3000/32W/80/DSPC	1282 x 101 x 101 ± 1mm	3000	4460	32W	140	130°
203049 Casey 120IP65/4000/32W/80/DSPC	1282 x 101 x 101 ± 1mm	4000	4650	32W	146	130°
203050 Casey 120IP65/5000/32W/80/DSPC	1282 x 101 x 101 ± 1mm	5000	4775	32W	150	130°
203051 Casey 120IP65/6500/32W/80/DSPC	1282 x 101 x 101 ± 1mm	6500	4650	32W	146	130°
203052 Casey 120IP65/3000/38W/80/DSPC	1282 x 101 x 101 ± 1mm	3000	5115	38W	135	130°
203053 Casey 120IP65/4000/38W/80/DSPC	1282 x 101 x 101 ± 1mm	4000	5335	38W	141	130°
203054 Casey 120IP65/5000/38W/80/DSPC	1282 x 101 x 101 ± 1mm	5000	5475	38W	145	130°
203055 Casey 120IP65/6500/38W/80/DSPC	1282 x 101 x 101 ± 1mm	6500	5335	38W	141	130°
203272 Casey 120IP65/3000/50W/80/DSPC	1282 x 101 x 101 ± 1mm	3000	6335	50W	127	130°
203273 Casey 120IP65/4000/50W/80/DSPC	1282 x 101 x 101 ± 1mm	4000	6605	50W	133	130°
203274 Casey 120IP65/5000/50W/80/DSPC	1282 x 101 x 101 ± 1mm	5000	6785	50W	136	130°
203275 Casey 120IP65/6500/50W/80/DSPC	1282 x 101 x 101 ± 1mm	6500	6605	50W	133	130°
203056 Casey 150IP65/3000/23W/80/DSPC	1578 x 101 x 101 ± 1mm	3000	3180	23W	139	130°
203057 Casey 150IP65/4000/23W/80/DSPC	1578 x 101 x 101 ± 1mm	4000	3315	23W	145	130°
203058 Casey 150IP65/5000/23W/80/DSPC	1578 x 101 x 101 ± 1mm	5000	3405	23W	149	130°
203059 Casey 150IP65/6500/23W/80/DSPC	1578 x 101 x 101 ± 1mm	6500	3315	23W	145	130°
203120 Casey 150IP65/3000/33W/80/DSPC	1578 x 101 x 101 ± 1mm	3000	4615	33W	140	130°
203121 Casey 150IP65/4000/33W/80/DSPC	1578 x 101 x 101 ± 1mm	4000	4810	33W	146	130°
203122 Casey 150IP65/5000/33W/80/DSPC	1578 x 101 x 101 ± 1mm	5000	4940	33W	150	130°
203123 Casey 150IP65/6500/33W/80/DSPC	1578 x 101 x 101 ± 1mm	6500	4810	33W	146	130°
203060 Casey 150IP65/3000/37W/80/DSPC	1578 x 101 x 101 ± 1mm	3000	5470	37W	148	130°
203061 Casey 150IP65/4000/37W/80/DSPC	1578 x 101 x 101 ± 1mm	4000	5705	37W	155	130°
203062 Casey 150IP65/5000/37W/80/DSPC	1578 x 101 x 101 ± 1mm	5000	5855	37W	159	130°
203063 Casey 150IP65/6500/37W/80/DSPC	1578 x 101 x 101 ± 1mm	6500	5705	37W	155	130°
203064 Casey 150IP65/3000/50W/80/DSPC	1578 x 101 x 101 ± 1mm	3000	6730	50W	135	130°
203065 Casey 150IP65/4000/50W/80/DSPC	1578 x 101 x 101 ± 1mm	4000	7010	50W	141	130°
203066 Casey 150IP65/5000/50W/80/DSPC	1578 x 101 x 101 ± 1mm	5000	7200	50W	144	130°
203067 Casey 150IP65/6500/50W/80/DSPC	1578 x 101 x 101 ± 1mm	6500	7010	50W	141	130°
203068 Casey 150IP65/3000/60W/80/DSPC	1578 x 101 x 101 ± 1mm	3000	7705	60W	129	130°
203069 Casey 150IP65/4000/60W/80/DSPC	1578 x 101 x 101 ± 1mm	4000	8030	60W	134	130°
203070 Casey 150IP65/5000/60W/80/DSPC	1578 x 101 x 101 ± 1mm	5000	8245	60W	138	130°
203071 Casey 150IP65/6500/60W/80/DSPC	1578 x 101 x 101 ± 1mm	6500	8030	60W	134	130°