

Artus N TRK

TRACK LINEAR | NON-DALI SERIES

Sophisticated and modern track mounted luminaire, instantly contributes to increasing the well-being at the workplace. Best suitable for office spaces, meeting rooms, and building entrances that need to be perfectly illuminated.

Slim aluminum housing mounted on track enables the ultimate ceiling mounting technology. The track and the track adaptor are available in two colors: black and grey, for a perfect merge with the environment.

Artus N TRK has several series, determined by various add-on and controls:

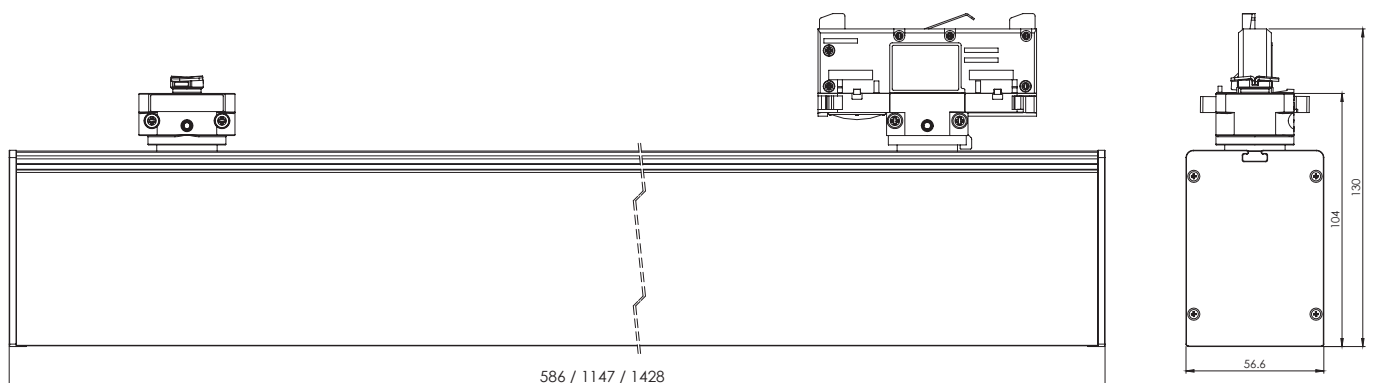
- Artus N TRK Non-DALI: the standard for office spaces, meeting rooms, and building entrances
- Artus N TRK DALI: with DALI dimming

FEATURES & BENEFITS

- CRI 80 as standard
- 4 color temperatures: 3000K, 4000K, 5000K and 6500K
- Long rated life: L90/B10@50.000h
- Luminaire efficiency: 113lm/w @4000K
- Low UGR factor < 20 @4000K
- Dimmable (only for DALI Series)

APPLICATION

Office | Healthcare | Hospitality | DIY



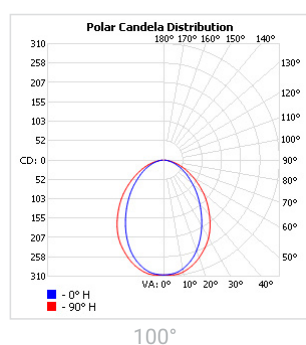
SPECIFICATIONS

Power consumption	8W, 15W	15W, 25W, 32W, 38W, 50W	23W, 33W, 37W, 50W, 60W
Dimensions	586 x 104.3 x 56.6 ± 1mm	1147 x 104.3 x 56.6 ± 1mm	1428 x 104.3 x 56.6 ± 1mm
Weight	1.2 Kg	2.2 Kg	2.7 Kg
Housing materials	Aluminum & Polycarbonate		
IK code	IK04		
THD (at 230V, 50Hz, Full load)	<8%		
Protection class	Safety class 1		
Operating temperature [°C]	-20°C ... +45°C / -4F ... +113F		
Operating humidity [%]	10 ÷ 85		
Power factor	≥0.95		
AC Input [Vac]	220 - 240 VAC		
Lens angle [°]	100°		
Lifespan [h]	50,000		
Housing color	● Anodised grey, ● Anodised black		
Lumen maintenance	L90/B10@50.000h at 25°C		
IP factor	IP20		
Control optional	-		
Warranty [years]	5		
Storage temperature range [°C]	-20°C ... +55°C / -4F ... +131F		
Emergency option	-		

#	Standard
CRI	CRI80
CCT [K]	3000 / 4000 / 5000 / 6500
MacAdam	4

CRI - Color rendering, CCT - Color temperature, MacAdam - Color consistency

LIGHT DISTRIBUTION



TOLERANCES**Luminous flux tolerances:** -/+ 5%**Consumption tolerance:** -/+ 5% for Non-DALI | -/+ 10% for Non-DALI & KIT EM | -/+ 10% for DALI | -/+ 15% for DALI & KIT EM**BATTERY WARRANTY****Non-DALI EM & DALI EM:** 12 months warranty**Non-DALI & DALI:** -**MAXIMUM NO. OF LUMINAIRES ON A CIRCUIT**

Luminaire Power [W]	Control type	Circuit Breaker Type					
		B			C		
		20	16	10	20	16	10
<50W	Non-DALI	38	30	19	62	51	31
≥ 50W	Non-DALI	38	30	19	62	51	31
<80W	DALI	27	21	13	45	35	21

RISK GROUP**Standard (CRI80)** RG1**FOOD (BVF, FBS, FSM)** RG1**FOOD ≤35W (FZM, FSH)** RG1**FOOD >35W (FZM, FSH)** RG2**FAS** RG1**AMB2200** RG1**ART** RG1**AGI** RG1**CRI90** RG1**CRI95** RG1**ENT** RG1**RG1**

The evaluation of photobiological safety is carried out according to the standard IEC 62471:2008 ("Photobiological safety of lamps and lamp systems"). Following the definition of the risk grouping system of the mentioned IEC standard, the LEDs mounted on this family fall into the class "Low Risk (RG1 – No photobiological hazard under normal behavioral limitations)". Under real circumstances (regarding exposure time, pupils, observation distance), it is assumed that there is no endangerment to the eye from these devices. As a matter of principle, however, it should be mentioned that intense light sources have a high secondary exposure potential due to their blinding effect.

RG2

The evaluation of photobiological safety is carried out according to the standard IEC 62471:2008 ("Photobiological safety of lamps and lamp systems"). Following the definition of the risk grouping system of the mentioned IEC standard, the LEDs mounted on this family fall into the class "Moderate Risk (RG2)". Under real circumstances (regarding exposure time, pupils, observation distance), it is assumed that there is no endangerment to the eye from these devices. As a matter of principle, however, it should be mentioned that intense light sources have a high secondary exposure potential due to their blinding effect.

SKU SPECIFICATIONS

Product Code	Dimensions (mm)	CCT (K)	Lumens (lm)	Power (W)	Eff. (lm/watt)	Lens Angle (°)
CRI 80						
163000 ArtusN 60TRK/3000/8W/80	586 x 104.3 x 56.6 ± 1mm	3000	705	8W	89	100°
163001 ArtusN 60TRK/4000/8W/80	586 x 104.3 x 56.6 ± 1mm	4000	735	8W	92	100°
163002 ArtusN 60TRK/5000/8W/80	586 x 104.3 x 56.6 ± 1mm	5000	755	8W	95	100°
163003 ArtusN 60TRK/6500/8W/80	586 x 104.3 x 56.6 ± 1mm	6500	735	8W	92	100°
163004 ArtusN 60TRK/3000/15W/80	586 x 104.3 x 56.6 ± 1mm	3000	1225	15W	82	100°
163005 ArtusN 60TRK/4000/15W/80	586 x 104.3 x 56.6 ± 1mm	4000	1280	15W	86	100°
163006 ArtusN 60TRK/5000/15W/80	586 x 104.3 x 56.6 ± 1mm	5000	1315	15W	88	100°
163007 ArtusN 60TRK/6500/15W/80	586 x 104.3 x 56.6 ± 1mm	6500	1280	15W	86	100°
163008 ArtusN 120TRK/3000/15W/80	1147 x 104.3 x 56.6 ± 1mm	3000	1530	15W	102	100°
163009 ArtusN 120TRK/4000/15W/80	1147 x 104.3 x 56.6 ± 1mm	4000	1595	15W	107	100°
163010 ArtusN 120TRK/5000/15W/80	1147 x 104.3 x 56.6 ± 1mm	5000	1640	15W	110	100°
163011 ArtusN 120TRK/6500/15W/80	1147 x 104.3 x 56.6 ± 1mm	6500	1595	15W	107	100°
163012 ArtusN 120TRK/3000/25W/80	1147 x 104.3 x 56.6 ± 1mm	3000	2680	25W	108	100°
163013 ArtusN 120TRK/4000/25W/80	1147 x 104.3 x 56.6 ± 1mm	4000	2795	25W	112	100°
163014 ArtusN 120TRK/5000/25W/80	1147 x 104.3 x 56.6 ± 1mm	5000	2870	25W	115	100°
163015 ArtusN 120TRK/6500/25W/80	1147 x 104.3 x 56.6 ± 1mm	6500	2795	25W	112	100°
163016 ArtusN 120TRK/3000/32W/80	1147 x 104.3 x 56.6 ± 1mm	3000	3190	32W	100	100°
163017 ArtusN 120TRK/4000/32W/80	1147 x 104.3 x 56.6 ± 1mm	4000	3325	32W	104	100°
163018 ArtusN 120TRK/5000/32W/80	1147 x 104.3 x 56.6 ± 1mm	5000	3415	32W	107	100°
163019 ArtusN 120TRK/6500/32W/80	1147 x 104.3 x 56.6 ± 1mm	6500	3325	32W	104	100°
163020 ArtusN 120TRK/3000/38W/80	1147 x 104.3 x 56.6 ± 1mm	3000	3810	38W	101	100°
163021 ArtusN 120TRK/4000/38W/80	1147 x 104.3 x 56.6 ± 1mm	4000	3970	38W	105	100°
163022 ArtusN 120TRK/5000/38W/80	1147 x 104.3 x 56.6 ± 1mm	5000	4075	38W	108	100°
163023 ArtusN 120TRK/6500/38W/80	1147 x 104.3 x 56.6 ± 1mm	6500	3970	38W	105	100°
163024 ArtusN 120TRK/3000/50W/80	1147 x 104.3 x 56.6 ± 1mm	3000	4620	50W	93	100°
163025 ArtusN 120TRK/4000/50W/80	1147 x 104.3 x 56.6 ± 1mm	4000	4815	50W	97	100°
163026 ArtusN 120TRK/5000/50W/80	1147 x 104.3 x 56.6 ± 1mm	5000	4945	50W	99	100°
163027 ArtusN 120TRK/6500/50W/80	1147 x 104.3 x 56.6 ± 1mm	6500	4815	50W	97	100°
163028 ArtusN 150TRK/3000/23W/80	1428 x 104.3 x 56.6 ± 1mm	3000	2450	23W	107	100°
163029 ArtusN 150TRK/4000/23W/80	1428 x 104.3 x 56.6 ± 1mm	4000	2550	23W	111	100°
163030 ArtusN 150TRK/5000/23W/80	1428 x 104.3 x 56.6 ± 1mm	5000	2620	23W	114	100°
163031 ArtusN 150TRK/6500/23W/80	1428 x 104.3 x 56.6 ± 1mm	6500	2550	23W	111	100°
163032 ArtusN 150TRK/3000/33W/80	1428 x 104.3 x 56.6 ± 1mm	3000	3555	33W	108	100°
163033 ArtusN 150TRK/4000/33W/80	1428 x 104.3 x 56.6 ± 1mm	4000	3705	33W	113	100°
163034 ArtusN 150TRK/5000/33W/80	1428 x 104.3 x 56.6 ± 1mm	5000	3805	33W	116	100°
163035 ArtusN 150TRK/6500/33W/80	1428 x 104.3 x 56.6 ± 1mm	6500	3705	33W	113	100°
163036 ArtusN 150TRK/3000/37W/80	1428 x 104.3 x 56.6 ± 1mm	3000	3810	37W	103	100°
163037 ArtusN 150TRK/4000/37W/80	1428 x 104.3 x 56.6 ± 1mm	4000	3970	37W	108	100°
163038 ArtusN 150TRK/5000/37W/80	1428 x 104.3 x 56.6 ± 1mm	5000	4075	37W	111	100°
163039 ArtusN 150TRK/6500/37W/80	1428 x 104.3 x 56.6 ± 1mm	6500	3970	37W	108	100°
163040 ArtusN 150TRK/3000/50W/80	1428 x 104.3 x 56.6 ± 1mm	3000	5000	50W	100	100°
163041 ArtusN 150TRK/4000/50W/80	1428 x 104.3 x 56.6 ± 1mm	4000	5210	50W	105	100°
163042 ArtusN 150TRK/5000/50W/80	1428 x 104.3 x 56.6 ± 1mm	5000	5355	50W	108	100°
163043 ArtusN 150TRK/6500/50W/80	1428 x 104.3 x 56.6 ± 1mm	6500	5210	50W	105	100°
163044 ArtusN 150TRK/3000/60W/80	1428 x 104.3 x 56.6 ± 1mm	3000	5750	60W	96	100°
163045 ArtusN 150TRK/4000/60W/80	1428 x 104.3 x 56.6 ± 1mm	4000	5995	60W	100	100°
163046 ArtusN 150TRK/5000/60W/80	1428 x 104.3 x 56.6 ± 1mm	5000	6155	60W	103	100°
163047 ArtusN 150TRK/6500/60W/80	1428 x 104.3 x 56.6 ± 1mm	6500	5995	60W	100	100°
163000 ArtusN 60TRK/3000/8W/80/B	586 x 104.3 x 56.6 ± 1mm	3000	705	8W	89	100°
163001 ArtusN 60TRK/4000/8W/80/B	586 x 104.3 x 56.6 ± 1mm	4000	735	8W	92	100°

SKU SPECIFICATIONS

Product Code	Dimensions (mm)	CCT (K)	Lumens (lm)	Power (W)	Eff. (lm/watt)	Lens Angle (°)
CRI 80						
163002 ArtusN 60TRK/5000/8W/80/B	586 x 104.3 x 56.6 ± 1mm	5000	755	8W	95	100°
163003 ArtusN 60TRK/6500/8W/80/B	586 x 104.3 x 56.6 ± 1mm	6500	735	8W	92	100°
163004 ArtusN 60TRK/3000/15W/80/B	586 x 104.3 x 56.6 ± 1mm	3000	1225	15W	82	100°
163005 ArtusN 60TRK/4000/15W/80/B	586 x 104.3 x 56.6 ± 1mm	4000	1280	15W	86	100°
163006 ArtusN 60TRK/5000/15W/80/B	586 x 104.3 x 56.6 ± 1mm	5000	1315	15W	88	100°
163007 ArtusN 60TRK/6500/15W/80/B	586 x 104.3 x 56.6 ± 1mm	6500	1280	15W	86	100°
163008 ArtusN 120TRK/3000/15W/80/B	1147 x 104.3 x 56.6 ± 1mm	3000	1530	15W	102	100°
163009 ArtusN 120TRK/4000/15W/80/B	1147 x 104.3 x 56.6 ± 1mm	4000	1595	15W	107	100°
163010 ArtusN 120TRK/5000/15W/80/B	1147 x 104.3 x 56.6 ± 1mm	5000	1640	15W	110	100°
163011 ArtusN 120TRK/6500/15W/80/B	1147 x 104.3 x 56.6 ± 1mm	6500	1595	15W	107	100°
163012 ArtusN 120TRK/3000/25W/80/B	1147 x 104.3 x 56.6 ± 1mm	3000	2680	25W	108	100°
163013 ArtusN 120TRK/4000/25W/80/B	1147 x 104.3 x 56.6 ± 1mm	4000	2795	25W	112	100°
163014 ArtusN 120TRK/5000/25W/80/B	1147 x 104.3 x 56.6 ± 1mm	5000	2870	25W	115	100°
163015 ArtusN 120TRK/6500/25W/80/B	1147 x 104.3 x 56.6 ± 1mm	6500	2795	25W	112	100°
163016 ArtusN 120TRK/3000/32W/80/B	1147 x 104.3 x 56.6 ± 1mm	3000	3190	32W	100	100°
163017 ArtusN 120TRK/4000/32W/80/B	1147 x 104.3 x 56.6 ± 1mm	4000	3325	32W	104	100°
163018 ArtusN 120TRK/5000/32W/80/B	1147 x 104.3 x 56.6 ± 1mm	5000	3415	32W	107	100°
163019 ArtusN 120TRK/6500/32W/80/B	1147 x 104.3 x 56.6 ± 1mm	6500	3325	32W	104	100°
163020 ArtusN 120TRK/3000/38W/80/B	1147 x 104.3 x 56.6 ± 1mm	3000	3810	38W	101	100°
163021 ArtusN 120TRK/4000/38W/80/B	1147 x 104.3 x 56.6 ± 1mm	4000	3970	38W	105	100°
163022 ArtusN 120TRK/5000/38W/80/B	1147 x 104.3 x 56.6 ± 1mm	5000	4075	38W	108	100°
163023 ArtusN 120TRK/6500/38W/80/B	1147 x 104.3 x 56.6 ± 1mm	6500	3970	38W	105	100°
163024 ArtusN 120TRK/3000/50W/80/B	1147 x 104.3 x 56.6 ± 1mm	3000	4620	50W	93	100°
163025 ArtusN 120TRK/4000/50W/80/B	1147 x 104.3 x 56.6 ± 1mm	4000	4815	50W	97	100°
163026 ArtusN 120TRK/5000/50W/80/B	1147 x 104.3 x 56.6 ± 1mm	5000	4945	50W	99	100°
163027 ArtusN 120TRK/6500/50W/80/B	1147 x 104.3 x 56.6 ± 1mm	6500	4815	50W	97	100°
163028 ArtusN 150TRK/3000/23W/80/B	1428 x 104.3 x 56.6 ± 1mm	3000	2450	23W	107	100°
163029 ArtusN 150TRK/4000/23W/80/B	1428 x 104.3 x 56.6 ± 1mm	4000	2550	23W	111	100°
163030 ArtusN 150TRK/5000/23W/80/B	1428 x 104.3 x 56.6 ± 1mm	5000	2620	23W	114	100°
163031 ArtusN 150TRK/6500/23W/80/B	1428 x 104.3 x 56.6 ± 1mm	6500	2550	23W	111	100°
163032 ArtusN 150TRK/3000/33W/80/B	1428 x 104.3 x 56.6 ± 1mm	3000	3555	33W	108	100°
163033 ArtusN 150TRK/4000/33W/80/B	1428 x 104.3 x 56.6 ± 1mm	4000	3705	33W	113	100°
163034 ArtusN 150TRK/5000/33W/80/B	1428 x 104.3 x 56.6 ± 1mm	5000	3805	33W	116	100°
163035 ArtusN 150TRK/6500/33W/80/B	1428 x 104.3 x 56.6 ± 1mm	6500	3705	33W	113	100°
163036 ArtusN 150TRK/3000/37W/80/B	1428 x 104.3 x 56.6 ± 1mm	3000	3810	37W	103	100°
163037 ArtusN 150TRK/4000/37W/80/B	1428 x 104.3 x 56.6 ± 1mm	4000	3970	37W	108	100°
163038 ArtusN 150TRK/5000/37W/80/B	1428 x 104.3 x 56.6 ± 1mm	5000	4075	37W	111	100°
163039 ArtusN 150TRK/6500/37W/80/B	1428 x 104.3 x 56.6 ± 1mm	6500	3970	37W	108	100°
163040 ArtusN 150TRK/3000/50W/80/B	1428 x 104.3 x 56.6 ± 1mm	3000	5000	50W	100	100°
163041 ArtusN 150TRK/4000/50W/80/B	1428 x 104.3 x 56.6 ± 1mm	4000	5210	50W	105	100°
163042 ArtusN 150TRK/5000/50W/80/B	1428 x 104.3 x 56.6 ± 1mm	5000	5355	50W	108	100°
163043 ArtusN 150TRK/6500/50W/80/B	1428 x 104.3 x 56.6 ± 1mm	6500	5210	50W	105	100°
163044 ArtusN 150TRK/3000/60W/80/B	1428 x 104.3 x 56.6 ± 1mm	3000	5750	60W	96	100°
163045 ArtusN 150TRK/4000/60W/80/B	1428 x 104.3 x 56.6 ± 1mm	4000	5995	60W	100	100°
163046 ArtusN 150TRK/5000/60W/80/B	1428 x 104.3 x 56.6 ± 1mm	5000	6155	60W	103	100°
163047 ArtusN 150TRK/6500/60W/80/B	1428 x 104.3 x 56.6 ± 1mm	6500	5995	60W	100	100°

Technical specifications can be modified without prior notice. All information is property of Greentek Lighting.

The presentation picture is for information purposes only. Latest document update: November 19, 2019 10:52 AM. www.greentek.eu