

# Galaxy Slim E

Surface Mounted & Suspended Luminaires



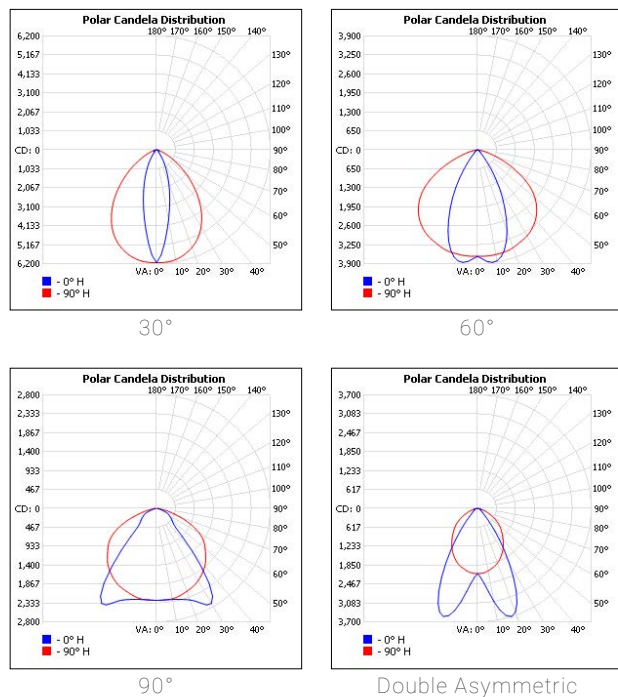
## FEATURES & BENEFITS

- Form factors: 6R2, 6R3, 6R4, 6R5
- Three temperatures: 3000K, 4000K and 5000K
- Wide range of lens angle: 30°, 60°, 90° and Double Asymmetric
- Color rendering index: 80
- Efficiency @4000K: 135 lm/W

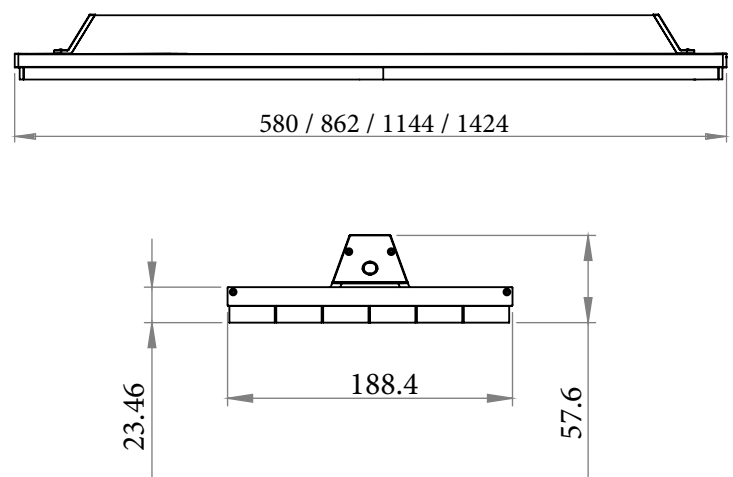
## APPLICATIONS

Grocery & Supermarkets | Retail | Office | Healthcare | Industrial & Logistics | Hospitality | DIY

## LIGHT DISTRIBUTION



## TECHNICAL DRAW



## SPECIFICATIONS

Power	77W, 97W, 115W	115W, 147W, 174W	153W, 193W, 232W	189W, 240W, 284W
Dimensions	580x188.4x57.6mm±1mm	862x188.4x57.6mm±1mm	1144x188.4x57.6mm±1mm	1424x188.4x57.6mm±1mm
Color Rendering	CRI80			
Housing materials	Aluminium, polycarbonate			
IK Code	IK04			
THD	<20%			
Protection Class	Safety class 1			
Operating temperature (°C)	-20°C...+55°C/-4F...+131F			
Operating humidity (%)	10 ÷ 85			
Power factor	≥0.9 (at 230 V / 50 Hz / driver full load)			
AC Input	220-240 Vac			
Color temperature	3000K, 4000K, 5000K			
Lens angle (°)	30°, 60°, 90°, DA			
Lifespan (h)	50000			
Housing color	Anodised grey, Anodised black			
Color consistency	MacAdam 4			
Lumen maintenance	L80/B20@50.000h at 25°C			
IP Rating	IP20			
Control option	-			
Warranty (years)	5 years			
Storage Temperature Range (°C)	-25°C...+55°C/-13F...+131F			
Efficiency @4000K	135 lm/W			
Luminous flux tolerance	+/- 5%			
Consumption tolerance	-/+ 5%			
Risk group	<p>RG0</p> <p>The evaluation of photobiological safety is carried out according to the standard IEC 62471:2008 ("Photobiological safety of lamps and lamp systems"). Following the definition of the risk grouping system of the mentioned IEC standard, the LEDs mounted on this family fall into the class "Exempt (RG0 – No photobiological hazard)". Under real circumstances (regarding exposure time, pupils, observation distance), it is assumed that there is no endangerment to the eye from these devices. As a matter of principle, however, it should be mentioned that intense light sources have a high secondary exposure potential due to their blinding effect.</p>			

## MAXIMUM NO. OF LUMINAIRES ON A CIRCUIT

Luminaire Length	Control type	Circuit Breaker Type					
		B			C		
		20	16	10	20	16	10
5R2	Non-DALI	22	18	11	22	18	11
5R3	Non-DALI	15	12	7	15	12	7
5R4	Non-DALI	11	9	5	11	9	5
5R5	Non-DALI	9	7	4	9	7	4

## SKU SPECIFICATIONS

Article Number	Dimensions (mm)	CCT (K)	Lumens (lm)	Power (W)	Efficiency (lm/watt)	Lens angle (degrees)	Weight (kg)
1E3144 Galaxy Slim E SR 6R2 AL/3000/77W/80/TB	580 x 188.4 x 57.6 ± 1mm	3000	9695	77W	126	30	2.7 Kg
1E3145 Galaxy Slim E SR 6R2 AL/4000/77W/80/TB	580 x 188.4 x 57.6 ± 1mm	4000	10225	77W	133	30	2.7 Kg
1E3146 Galaxy Slim E SR 6R2 AL/5000/77W/80/TB	580 x 188.4 x 57.6 ± 1mm	5000	10375	77W	135	30	2.7 Kg
1E3147 Galaxy Slim E SR 6R2 AL/3000/77W/80/NB	580 x 188.4 x 57.6 ± 1mm	3000	9805	77W	128	60	2.7 Kg
1E3148 Galaxy Slim E SR 6R2 AL/4000/77W/80/NB	580 x 188.4 x 57.6 ± 1mm	4000	10335	77W	135	60	2.7 Kg
1E3149 Galaxy Slim E SR 6R2 AL/5000/77W/80/NB	580 x 188.4 x 57.6 ± 1mm	5000	10490	77W	137	60	2.7 Kg
1E3150 Galaxy Slim E SR 6R2 AL/3000/77W/80/WB	580 x 188.4 x 57.6 ± 1mm	3000	9805	77W	128	90	2.7 Kg
1E3151 Galaxy Slim E SR 6R2 AL/4000/77W/80/WB	580 x 188.4 x 57.6 ± 1mm	4000	10335	77W	135	90	2.7 Kg
1E3152 Galaxy Slim E SR 6R2 AL/5000/77W/80/WB	580 x 188.4 x 57.6 ± 1mm	5000	10490	77W	137	90	2.7 Kg
1E3153 Galaxy Slim E SR 6R2 AL/3000/77W/80/DA	580 x 188.4 x 57.6 ± 1mm	3000	9675	77W	126	DA	2.7 Kg
1E3154 Galaxy Slim E SR 6R2 AL/4000/77W/80/DA	580 x 188.4 x 57.6 ± 1mm	4000	10205	77W	133	DA	2.7 Kg
1E3155 Galaxy Slim E SR 6R2 AL/5000/77W/80/DA	580 x 188.4 x 57.6 ± 1mm	5000	10355	77W	135	DA	2.7 Kg
1E3156 Galaxy Slim E SR 6R2 AL/3000/97W/80/TB	580 x 188.4 x 57.6 ± 1mm	3000	11695	97W	121	30	2.7 Kg
1E3157 Galaxy Slim E SR 6R2 AL/4000/97W/80/TB	580 x 188.4 x 57.6 ± 1mm	4000	12330	97W	128	30	2.7 Kg
1E3158 Galaxy Slim E SR 6R2 AL/5000/97W/80/TB	580 x 188.4 x 57.6 ± 1mm	5000	12510	97W	129	30	2.7 Kg
1E3159 Galaxy Slim E SR 6R2 AL/3000/97W/80/NB	580 x 188.4 x 57.6 ± 1mm	3000	11825	97W	122	60	2.7 Kg
1E3160 Galaxy Slim E SR 6R2 AL/4000/97W/80/NB	580 x 188.4 x 57.6 ± 1mm	4000	12465	97W	129	60	2.7 Kg
1E3161 Galaxy Slim E SR 6R2 AL/5000/97W/80/NB	580 x 188.4 x 57.6 ± 1mm	5000	12650	97W	131	60	2.7 Kg
1E3162 Galaxy Slim E SR 6R2 AL/3000/97W/80/WB	580 x 188.4 x 57.6 ± 1mm	3000	11825	97W	122	90	2.7 Kg
1E3163 Galaxy Slim E SR 6R2 AL/4000/97W/80/WB	580 x 188.4 x 57.6 ± 1mm	4000	12465	97W	129	90	2.7 Kg
1E3164 Galaxy Slim E SR 6R2 AL/5000/97W/80/WB	580 x 188.4 x 57.6 ± 1mm	5000	12650	97W	131	90	2.7 Kg
1E3165 Galaxy Slim E SR 6R2 AL/3000/97W/80/DA	580 x 188.4 x 57.6 ± 1mm	3000	11670	97W	121	DA	2.7 Kg
1E3166 Galaxy Slim E SR 6R2 AL/4000/97W/80/DA	580 x 188.4 x 57.6 ± 1mm	4000	12305	97W	127	DA	2.7 Kg
1E3167 Galaxy Slim E SR 6R2 AL/5000/97W/80/DA	580 x 188.4 x 57.6 ± 1mm	5000	12485	97W	129	DA	2.7 Kg
1E3168 Galaxy Slim E SR 6R2 AL/3000/115W/80/TB	580 x 188.4 x 57.6 ± 1mm	3000	13290	115W	116	30	2.7 Kg
1E3169 Galaxy Slim E SR 6R2 AL/4000/115W/80/TB	580 x 188.4 x 57.6 ± 1mm	4000	14010	115W	122	30	2.7 Kg
1E3170 Galaxy Slim E SR 6R2 AL/5000/115W/80/TB	580 x 188.4 x 57.6 ± 1mm	5000	14220	115W	124	30	2.7 Kg
1E3171 Galaxy Slim E SR 6R2 AL/3000/115W/80/NB	580 x 188.4 x 57.6 ± 1mm	3000	13440	115W	117	60	2.7 Kg
1E3172 Galaxy Slim E SR 6R2 AL/4000/115W/80/NB	580 x 188.4 x 57.6 ± 1mm	4000	14165	115W	124	60	2.7 Kg
1E3173 Galaxy Slim E SR 6R2 AL/5000/115W/80/NB	580 x 188.4 x 57.6 ± 1mm	5000	14375	115W	125	60	2.7 Kg
1E3174 Galaxy Slim E SR 6R2 AL/3000/115W/80/WB	580 x 188.4 x 57.6 ± 1mm	3000	13440	115W	117	90	2.7 Kg
1E3175 Galaxy Slim E SR 6R2 AL/4000/115W/80/WB	580 x 188.4 x 57.6 ± 1mm	4000	14165	115W	124	90	2.7 Kg
1E3176 Galaxy Slim E SR 6R2 AL/5000/115W/80/WB	580 x 188.4 x 57.6 ± 1mm	5000	14375	115W	125	90	2.7 Kg
1E3177 Galaxy Slim E SR 6R2 AL/3000/115W/80/DA	580 x 188.4 x 57.6 ± 1mm	3000	13265	115W	116	DA	2.7 Kg
1E3178 Galaxy Slim E SR 6R2 AL/4000/115W/80/DA	580 x 188.4 x 57.6 ± 1mm	4000	13985	115W	122	DA	2.7 Kg
1E3179 Galaxy Slim E SR 6R2 AL/5000/115W/80/DA	580 x 188.4 x 57.6 ± 1mm	5000	14190	115W	124	DA	2.7 Kg
1E3180 Galaxy Slim E SR 6R3 AL/3000/115W/80/TB	862 x 188.4 x 57.6 ± 1mm	3000	14385	115W	126	30	4 Kg
1E3181 Galaxy Slim E SR 6R3 AL/4000/115W/80/TB	862 x 188.4 x 57.6 ± 1mm	4000	15165	115W	132	30	4 Kg
1E3182 Galaxy Slim E SR 6R3 AL/5000/115W/80/TB	862 x 188.4 x 57.6 ± 1mm	5000	15390	115W	134	30	4 Kg
1E3183 Galaxy Slim E SR 6R3 AL/3000/115W/80/NB	862 x 188.4 x 57.6 ± 1mm	3000	14545	115W	127	60	4 Kg
1E3184 Galaxy Slim E SR 6R3 AL/4000/115W/80/NB	862 x 188.4 x 57.6 ± 1mm	4000	15335	115W	134	60	4 Kg
1E3185 Galaxy Slim E SR 6R3 AL/5000/115W/80/NB	862 x 188.4 x 57.6 ± 1mm	5000	15560	115W	136	60	4 Kg
1E3186 Galaxy Slim E SR 6R3 AL/3000/115W/80/WB	862 x 188.4 x 57.6 ± 1mm	3000	14545	115W	127	90	4 Kg
1E3187 Galaxy Slim E SR 6R3 AL/4000/115W/80/WB	862 x 188.4 x 57.6 ± 1mm	4000	15335	115W	134	90	4 Kg
1E3188 Galaxy Slim E SR 6R3 AL/5000/115W/80/WB	862 x 188.4 x 57.6 ± 1mm	5000	15560	115W	136	90	4 Kg
1E3189 Galaxy Slim E SR 6R3 AL/3000/115W/80/DA	862 x 188.4 x 57.6 ± 1mm	3000	14355	115W	125	DA	4 Kg
1E3190 Galaxy Slim E SR 6R3 AL/4000/115W/80/DA	862 x 188.4 x 57.6 ± 1mm	4000	15135	115W	132	DA	4 Kg

Article Number	Dimensions (mm)	CCT (K)	Lumens (lm)	Power (W)	Efficiency (lm/watt)	Lens angle (degrees)	Weight (kg)
1E3191 Galaxy Slim E SR 6R3 AL/5000/115W/80/DA	862 x 188.4 x 57.6 ± 1mm	5000	15360	115W	134	DA	4 Kg
1E3192 Galaxy Slim E SR 6R3 AL/3000/147W/80/TB	862 x 188.4 x 57.6 ± 1mm	3000	17745	147W	121	30	4 Kg
1E3193 Galaxy Slim E SR 6R3 AL/4000/147W/80/TB	862 x 188.4 x 57.6 ± 1mm	4000	18710	147W	128	30	4 Kg
1E3194 Galaxy Slim E SR 6R3 AL/5000/147W/80/TB	862 x 188.4 x 57.6 ± 1mm	5000	18985	147W	130	30	4 Kg
1E3195 Galaxy Slim E SR 6R3 AL/3000/147W/80/NB	862 x 188.4 x 57.6 ± 1mm	3000	17940	147W	123	60	4 Kg
1E3196 Galaxy Slim E SR 6R3 AL/4000/147W/80/NB	862 x 188.4 x 57.6 ± 1mm	4000	18915	147W	129	60	4 Kg
1E3197 Galaxy Slim E SR 6R3 AL/5000/147W/80/NB	862 x 188.4 x 57.6 ± 1mm	5000	19195	147W	131	60	4 Kg
1E3198 Galaxy Slim E SR 6R3 AL/3000/147W/80/WB	862 x 188.4 x 57.6 ± 1mm	3000	17940	147W	123	90	4 Kg
1E3199 Galaxy Slim E SR 6R3 AL/4000/147W/80/WB	862 x 188.4 x 57.6 ± 1mm	4000	18915	147W	129	90	4 Kg
1E3200 Galaxy Slim E SR 6R3 AL/5000/147W/80/WB	862 x 188.4 x 57.6 ± 1mm	5000	19195	147W	131	90	4 Kg
1E3201 Galaxy Slim E SR 6R3 AL/3000/147W/80/DA	862 x 188.4 x 57.6 ± 1mm	3000	17710	147W	121	DA	4 Kg
1E3202 Galaxy Slim E SR 6R3 AL/4000/147W/80/DA	862 x 188.4 x 57.6 ± 1mm	4000	18670	147W	128	DA	4 Kg
1E3203 Galaxy Slim E SR 6R3 AL/5000/147W/80/DA	862 x 188.4 x 57.6 ± 1mm	5000	18945	147W	129	DA	4 Kg
1E3204 Galaxy Slim E SR 6R3 AL/3000/174W/80/TB	862 x 188.4 x 57.6 ± 1mm	3000	20195	174W	117	30	4 Kg
1E3205 Galaxy Slim E SR 6R3 AL/4000/174W/80/TB	862 x 188.4 x 57.6 ± 1mm	4000	21295	174W	123	30	4 Kg
1E3206 Galaxy Slim E SR 6R3 AL/5000/174W/80/TB	862 x 188.4 x 57.6 ± 1mm	5000	21610	174W	125	30	4 Kg
1E3207 Galaxy Slim E SR 6R3 AL/3000/174W/80/NB	862 x 188.4 x 57.6 ± 1mm	3000	20420	174W	118	60	4 Kg
1E3208 Galaxy Slim E SR 6R3 AL/4000/174W/80/NB	862 x 188.4 x 57.6 ± 1mm	4000	21530	174W	124	60	4 Kg
1E3209 Galaxy Slim E SR 6R3 AL/5000/174W/80/NB	862 x 188.4 x 57.6 ± 1mm	5000	21850	174W	126	60	4 Kg
1E3210 Galaxy Slim E SR 6R3 AL/3000/174W/80/WB	862 x 188.4 x 57.6 ± 1mm	3000	20420	174W	118	90	4 Kg
1E3211 Galaxy Slim E SR 6R3 AL/4000/174W/80/WB	862 x 188.4 x 57.6 ± 1mm	4000	21530	174W	124	90	4 Kg
1E3212 Galaxy Slim E SR 6R3 AL/5000/174W/80/WB	862 x 188.4 x 57.6 ± 1mm	5000	21850	174W	126	90	4 Kg
1E3213 Galaxy Slim E SR 6R3 AL/3000/174W/80/DA	862 x 188.4 x 57.6 ± 1mm	3000	20155	174W	116	DA	4 Kg
1E3214 Galaxy Slim E SR 6R3 AL/4000/174W/80/DA	862 x 188.4 x 57.6 ± 1mm	4000	21250	174W	123	DA	4 Kg
1E3215 Galaxy Slim E SR 6R3 AL/5000/174W/80/DA	862 x 188.4 x 57.6 ± 1mm	5000	21565	174W	124	DA	4 Kg
1E3216 Galaxy Slim E SR 6R4 AL/3000/153W/80/TB	1144 x 188.4 x 57.6 ± 1mm	3000	19315	153W	127	30	5.3 Kg
1E3217 Galaxy Slim E SR 6R4 AL/4000/153W/80/TB	1144 x 188.4 x 57.6 ± 1mm	4000	20365	153W	134	30	5.3 Kg
1E3218 Galaxy Slim E SR 6R4 AL/5000/153W/80/TB	1144 x 188.4 x 57.6 ± 1mm	5000	20665	153W	136	30	5.3 Kg
1E3219 Galaxy Slim E SR 6R4 AL/3000/153W/80/NB	1144 x 188.4 x 57.6 ± 1mm	3000	19530	153W	128	60	5.3 Kg
1E3220 Galaxy Slim E SR 6R4 AL/4000/153W/80/NB	1144 x 188.4 x 57.6 ± 1mm	4000	20590	153W	135	60	5.3 Kg
1E3221 Galaxy Slim E SR 6R4 AL/5000/153W/80/NB	1144 x 188.4 x 57.6 ± 1mm	5000	20895	153W	137	60	5.3 Kg
1E3222 Galaxy Slim E SR 6R4 AL/3000/153W/80/WB	1144 x 188.4 x 57.6 ± 1mm	3000	19530	153W	128	90	5.3 Kg
1E3223 Galaxy Slim E SR 6R4 AL/4000/153W/80/WB	1144 x 188.4 x 57.6 ± 1mm	4000	20590	153W	135	90	5.3 Kg
1E3224 Galaxy Slim E SR 6R4 AL/5000/153W/80/WB	1144 x 188.4 x 57.6 ± 1mm	5000	20895	153W	137	90	5.3 Kg
1E3225 Galaxy Slim E SR 6R4 AL/3000/153W/80/DA	1144 x 188.4 x 57.6 ± 1mm	3000	19275	153W	126	DA	5.3 Kg
1E3226 Galaxy Slim E SR 6R4 AL/4000/153W/80/DA	1144 x 188.4 x 57.6 ± 1mm	4000	20320	153W	133	DA	5.3 Kg
1E3227 Galaxy Slim E SR 6R4 AL/5000/153W/80/DA	1144 x 188.4 x 57.6 ± 1mm	5000	20625	153W	135	DA	5.3 Kg
1E3228 Galaxy Slim E SR 6R4 AL/3000/193W/80/TB	1144 x 188.4 x 57.6 ± 1mm	3000	23230	193W	121	30	5.3 Kg
1E3229 Galaxy Slim E SR 6R4 AL/4000/193W/80/TB	1144 x 188.4 x 57.6 ± 1mm	4000	24495	193W	127	30	5.3 Kg
1E3230 Galaxy Slim E SR 6R4 AL/5000/193W/80/TB	1144 x 188.4 x 57.6 ± 1mm	5000	24855	193W	129	30	5.3 Kg
1E3231 Galaxy Slim E SR 6R4 AL/3000/193W/80/NB	1144 x 188.4 x 57.6 ± 1mm	3000	23490	193W	122	60	5.3 Kg
1E3232 Galaxy Slim E SR 6R4 AL/4000/193W/80/NB	1144 x 188.4 x 57.6 ± 1mm	4000	24765	193W	129	60	5.3 Kg
1E3233 Galaxy Slim E SR 6R4 AL/5000/193W/80/NB	1144 x 188.4 x 57.6 ± 1mm	5000	25130	193W	131	60	5.3 Kg
1E3234 Galaxy Slim E SR 6R4 AL/3000/193W/80/WB	1144 x 188.4 x 57.6 ± 1mm	3000	23490	193W	122	90	5.3 Kg
1E3235 Galaxy Slim E SR 6R4 AL/4000/193W/80/WB	1144 x 188.4 x 57.6 ± 1mm	4000	24765	193W	129	90	5.3 Kg
1E3236 Galaxy Slim E SR 6R4 AL/5000/193W/80/WB	1144 x 188.4 x 57.6 ± 1mm	5000	25130	193W	131	90	5.3 Kg
1E3237 Galaxy Slim E SR 6R4 AL/3000/193W/80/DA	1144 x 188.4 x 57.6 ± 1mm	3000	23185	193W	121	DA	5.3 Kg

Article Number	Dimensions (mm)	CCT (K)	Lumens (lm)	Power (W)	Efficiency (lm/watt)	Lens angle (degrees)	Weight (kg)
1E3238 Galaxy Slim E SR 6R4 AL/4000/193W/80/DA	1144 x 188.4 x 57.6 ± 1mm	4000	24445	193W	127	DA	5.3 Kg
1E3239 Galaxy Slim E SR 6R4 AL/5000/193W/80/DA	1144 x 188.4 x 57.6 ± 1mm	5000	24805	193W	129	DA	5.3 Kg
1E3240 Galaxy Slim E SR 6R4 AL/3000/232W/80/TB	1144 x 188.4 x 57.6 ± 1mm	3000	26795	232W	116	30	5.3 Kg
1E3241 Galaxy Slim E SR 6R4 AL/4000/232W/80/TB	1144 x 188.4 x 57.6 ± 1mm	4000	28250	232W	122	30	5.3 Kg
1E3242 Galaxy Slim E SR 6R4 AL/5000/232W/80/TB	1144 x 188.4 x 57.6 ± 1mm	5000	28665	232W	124	30	5.3 Kg
1E3243 Galaxy Slim E SR 6R4 AL/3000/232W/80/NB	1144 x 188.4 x 57.6 ± 1mm	3000	27090	232W	117	60	5.3 Kg
1E3244 Galaxy Slim E SR 6R4 AL/4000/232W/80/NB	1144 x 188.4 x 57.6 ± 1mm	4000	28560	232W	124	60	5.3 Kg
1E3245 Galaxy Slim E SR 6R4 AL/5000/232W/80/NB	1144 x 188.4 x 57.6 ± 1mm	5000	28985	232W	125	60	5.3 Kg
1E3246 Galaxy Slim E SR 6R4 AL/3000/232W/80/WB	1144 x 188.4 x 57.6 ± 1mm	3000	27090	232W	117	90	5.3 Kg
1E3247 Galaxy Slim E SR 6R4 AL/4000/232W/80/WB	1144 x 188.4 x 57.6 ± 1mm	4000	28560	232W	124	90	5.3 Kg
1E3248 Galaxy Slim E SR 6R4 AL/5000/232W/80/WB	1144 x 188.4 x 57.6 ± 1mm	5000	28985	232W	125	90	5.3 Kg
1E3249 Galaxy Slim E SR 6R4 AL/3000/232W/80/DA	1144 x 188.4 x 57.6 ± 1mm	3000	26740	232W	116	DA	5.3 Kg
1E3250 Galaxy Slim E SR 6R4 AL/4000/232W/80/DA	1144 x 188.4 x 57.6 ± 1mm	4000	28190	232W	122	DA	5.3 Kg
1E3251 Galaxy Slim E SR 6R4 AL/5000/232W/80/DA	1144 x 188.4 x 57.6 ± 1mm	5000	28610	232W	124	DA	5.3 Kg
1E3252 Galaxy Slim E SR 6R5 AL/3000/189W/80/TB	1424 x 188.4 x 57.6 ± 1mm	3000	23685	189W	126	30	6.5 Kg
1E3253 Galaxy Slim E SR 6R5 AL/4000/189W/80/TB	1424 x 188.4 x 57.6 ± 1mm	4000	24970	189W	133	30	6.5 Kg
1E3254 Galaxy Slim E SR 6R5 AL/5000/189W/80/TB	1424 x 188.4 x 57.6 ± 1mm	5000	25340	189W	135	30	6.5 Kg
1E3255 Galaxy Slim E SR 6R5 AL/3000/189W/80/NB	1424 x 188.4 x 57.6 ± 1mm	3000	23950	189W	127	60	6.5 Kg
1E3256 Galaxy Slim E SR 6R5 AL/4000/189W/80/NB	1424 x 188.4 x 57.6 ± 1mm	4000	25250	189W	134	60	6.5 Kg
1E3257 Galaxy Slim E SR 6R5 AL/5000/189W/80/NB	1424 x 188.4 x 57.6 ± 1mm	5000	25620	189W	136	60	6.5 Kg
1E3258 Galaxy Slim E SR 6R5 AL/3000/189W/80/WB	1424 x 188.4 x 57.6 ± 1mm	3000	23950	189W	127	90	6.5 Kg
1E3259 Galaxy Slim E SR 6R5 AL/4000/189W/80/WB	1424 x 188.4 x 57.6 ± 1mm	4000	25250	189W	134	90	6.5 Kg
1E3260 Galaxy Slim E SR 6R5 AL/5000/189W/80/WB	1424 x 188.4 x 57.6 ± 1mm	5000	25620	189W	136	90	6.5 Kg
1E3261 Galaxy Slim E SR 6R5 AL/3000/189W/80/DA	1424 x 188.4 x 57.6 ± 1mm	3000	23635	189W	126	DA	6.5 Kg
1E3262 Galaxy Slim E SR 6R5 AL/4000/189W/80/DA	1424 x 188.4 x 57.6 ± 1mm	4000	24920	189W	132	DA	6.5 Kg
1E3263 Galaxy Slim E SR 6R5 AL/5000/189W/80/DA	1424 x 188.4 x 57.6 ± 1mm	5000	25290	189W	134	DA	6.5 Kg
1E3264 Galaxy Slim E SR 6R5 AL/3000/240W/80/TB	1424 x 188.4 x 57.6 ± 1mm	3000	28895	240W	121	30	6.5 Kg
1E3265 Galaxy Slim E SR 6R5 AL/4000/240W/80/TB	1424 x 188.4 x 57.6 ± 1mm	4000	30465	240W	127	30	6.5 Kg
1E3266 Galaxy Slim E SR 6R5 AL/5000/240W/80/TB	1424 x 188.4 x 57.6 ± 1mm	5000	30915	240W	129	30	6.5 Kg
1E3267 Galaxy Slim E SR 6R5 AL/3000/240W/80/NB	1424 x 188.4 x 57.6 ± 1mm	3000	29220	240W	122	60	6.5 Kg
1E3268 Galaxy Slim E SR 6R5 AL/4000/240W/80/NB	1424 x 188.4 x 57.6 ± 1mm	4000	30805	240W	129	60	6.5 Kg
1E3269 Galaxy Slim E SR 6R5 AL/5000/240W/80/NB	1424 x 188.4 x 57.6 ± 1mm	5000	31260	240W	131	60	6.5 Kg
1E3270 Galaxy Slim E SR 6R5 AL/3000/240W/80/WB	1424 x 188.4 x 57.6 ± 1mm	3000	29220	240W	122	90	6.5 Kg
1E3271 Galaxy Slim E SR 6R5 AL/4000/240W/80/WB	1424 x 188.4 x 57.6 ± 1mm	4000	30805	240W	129	90	6.5 Kg
1E3272 Galaxy Slim E SR 6R5 AL/5000/240W/80/WB	1424 x 188.4 x 57.6 ± 1mm	5000	31260	240W	131	90	6.5 Kg
1E3273 Galaxy Slim E SR 6R5 AL/3000/240W/80/DA	1424 x 188.4 x 57.6 ± 1mm	3000	28840	240W	121	DA	6.5 Kg
1E3274 Galaxy Slim E SR 6R5 AL/4000/240W/80/DA	1424 x 188.4 x 57.6 ± 1mm	4000	30405	240W	127	DA	6.5 Kg
1E3275 Galaxy Slim E SR 6R5 AL/5000/240W/80/DA	1424 x 188.4 x 57.6 ± 1mm	5000	30855	240W	129	DA	6.5 Kg
1E3276 Galaxy Slim E SR 6R5 AL/3000/284W/80/TB	1424 x 188.4 x 57.6 ± 1mm	3000	32890	284W	116	30	6.5 Kg
1E3277 Galaxy Slim E SR 6R5 AL/4000/284W/80/TB	1424 x 188.4 x 57.6 ± 1mm	4000	34680	284W	123	30	6.5 Kg
1E3278 Galaxy Slim E SR 6R5 AL/5000/284W/80/TB	1424 x 188.4 x 57.6 ± 1mm	5000	35190	284W	124	30	6.5 Kg
1E3279 Galaxy Slim E SR 6R5 AL/3000/284W/80/NB	1424 x 188.4 x 57.6 ± 1mm	3000	33260	284W	118	60	6.5 Kg
1E3280 Galaxy Slim E SR 6R5 AL/4000/284W/80/NB	1424 x 188.4 x 57.6 ± 1mm	4000	35065	284W	124	60	6.5 Kg
1E3281 Galaxy Slim E SR 6R5 AL/5000/284W/80/NB	1424 x 188.4 x 57.6 ± 1mm	5000	35585	284W	126	60	6.5 Kg
1E3282 Galaxy Slim E SR 6R5 AL/3000/284W/80/WB	1424 x 188.4 x 57.6 ± 1mm	3000	33260	284W	118	90	6.5 Kg
1E3283 Galaxy Slim E SR 6R5 AL/4000/284W/80/WB	1424 x 188.4 x 57.6 ± 1mm	4000	35065	284W	124	90	6.5 Kg
1E3284 Galaxy Slim E SR 6R5 AL/5000/284W/80/WB	1424 x 188.4 x 57.6 ± 1mm	5000	35585	284W	126	90	6.5 Kg

Article Number	Dimensions (mm)	CCT (K)	Lumens (lm)	Power (W)	Efficiency (lm/watt)	Lens angle (degrees)	Weight (kg)
1E3285 Galaxy Slim E SR 6R5 AL/3000/284W/80/DA	1424 x 188.4 x 57.6 ± 1mm	3000	32825	284W	116	DA	6.5 Kg
1E3286 Galaxy Slim E SR 6R5 AL/4000/284W/80/DA	1424 x 188.4 x 57.6 ± 1mm	4000	34610	284W	122	DA	6.5 Kg
1E3287 Galaxy Slim E SR 6R5 AL/5000/284W/80/DA	1424 x 188.4 x 57.6 ± 1mm	5000	35120	284W	124	DA	6.5 Kg