



## Track spotlight

### DALI SERIES

A flexible and adjustable spotlight that emphasizes areas in your store or gallery. The spotlight will answer your requirements through simple and efficient design that offers an adjustable light beam angle between 21° and 28° for directional and accent lighting.

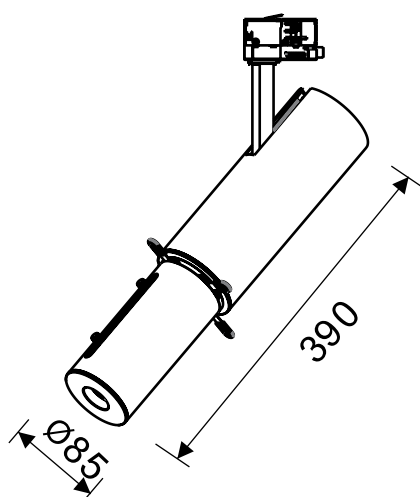
- Track spotlight DALI: with DALI controls for illumination adjustment

### FEATURES & BENEFITS

- CRI 90 as standard
- Color temperatures: 3000K and 4000K
- Angle: adjustable ( 21° and 28° )
- Dimmable

### APPLICATION

Grocery & Supermarket | Retail | Art & Exhibition



## SPECIFICATIONS

Power consumption	30W
Dimensions	Ø85x390±1mm
Weight	2 Kg
Housing materials	Aluminium, Glass
Protection class	Safety class II
Power factor	>0.9
Operating temperature [°C]	+5°C ... +45°C
AC Input [Vac]	220 - 240 VAC
Lens angle [°]	AVAR (21° to 28°)
Lifespan [h]	50.000
Housing color	Black
IP factor	IP20
Control optional	DALI
Warranty [years]	5

#	Standard
CRI	CRI 90
CCT [K]	3000K/4000K
MacAdam	3

CRI - Color rendering, CCT - Color temperature, MacAdam - Color consistency

## SKU SPECIFICATIONS

Product Code	Dimensions (mm)	CCT (K)	Lumens (lm)	Power (W)	Eff. (lm/watt)	Lens Angle (°)
<b>CRI 90</b>						
2D7ES27 TS S34835/3000K/30W/90/AVAR	Ø85x390±1mm	3000K	300	30W	10	AVAR
2D7ES28 TS S34835/4000K/30W/90/AVAR	Ø85x390±1mm	4000K	300	30W	10	AVAR