



## Spindle

### TRACK LINEAR | PI-LED SERIES

Spindle is an excellent luminaire for different applications, with simple installation by application of fixing plate and it has a integrated overtemperature protection.

PI-LED - Combines variable white light and light of the RGB color system in one single light source. It can vary the color temperature between 2700K - 6500K along Planckian curve in the course of a day.

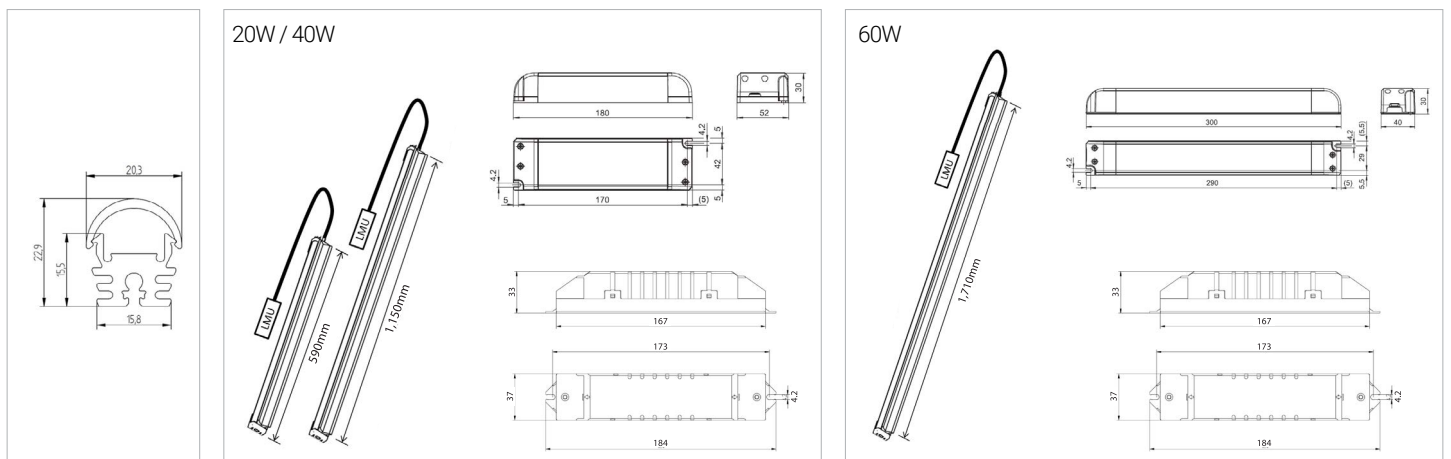
- Spindle PI-LED – simulates the spectral quality of natural daylight over the entire day.

### FEATURES & BENEFITS

- CRI 90 as standard
- Color temperature: PI-LED
- Long rated life: L70/B10@50.000h
- Very high efficiency: 81 lm/W

### APPLICATION

Retail | Industrial & Logistic | DIY



## SPECIFICATIONS

Power consumption	20W	40W	60W
Dimensions	590 x 20.3 x 22.9 mm	1150 x 20.3 x 22.9 mm	1710 x 20.3 x 22.9 mm
Housing materials	Aluminum & PMMA		
Protection class	Safety class 3		
Operating temperature [°C]	+10°C ... +35°C / +40F ... +95F		
AC Input [Vac]	220 - 240 Vac		
Angle [°]	120°		
Lifespan [h]	50,000		
Housing color	○ RAL 9003 - white		
Lumen maintenance	L70/B10@50.000h at 25°C		
IP factor	IP20		
Control optional	DALI		
Warranty [years]	5		
Storage temperature range [°C]	-10°C ... +40°C / +14F ... +104F		
Emergency option	-		

#	Standard
CRI	CRI90
CCT [K]	PI
MacAdam	1

CRI - Color rendering, CCT - Color temperature, MacAdam - Color consistency

## SKU SPECIFICATIONS

Product Code	Dimensions (mm)	CCT (K)	Lumens (lm)	Power (W)	Eff. (lm/watt)	Angle (°)
<b>CRI 90</b>						
2C1000 Spindle 1M/PI/20W/90/W	590 x 20.3 x 22.9 mm	PI	1615	20W	81	120°
2C1001 Spindle 2M/PI/40W/90/W	1150 x 20.3 x 22.9 mm	PI	3230	40W	81	120°
2C1002 Spindle 3M/PI/60W/90/W	1710 x 20.3 x 22.9 mm	PI	4845	60W	81	120°