



Hoya IP54

RECESSED DOWNLIGHTS | PI-LED SERIES

Hoya is a high-quality downlight with automatic daylight sequence, has a high colour stability from micro-controller controlled LED management with temperature compensation and factory calibration.

PI-LED - Combines variable white light and light of the RGB color system in one single light source. It can vary the color temperature between 2700K - 6500K along Planckian curve in the course of a day.

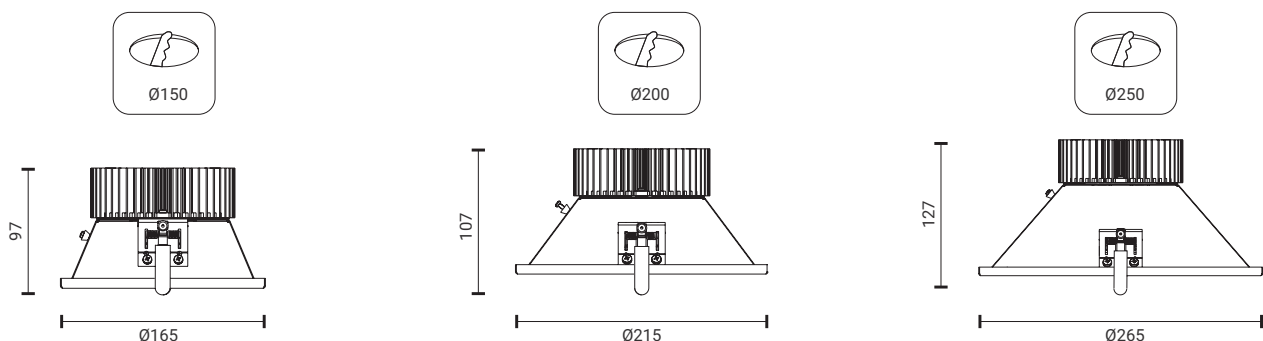
- Hoya PI-LED – simulates the spectral quality of natural daylight over the entire day.

FEATURES & BENEFITS

- CRI 90 as standard
- High efficiency of 80 lm/watt
- Lens angle of 75°, 82° and 80°
- Comes in three diameters, suitable for any replacement of traditional lamps.

APPLICATION

Grocery & Supermarkets | Office | Healthcare | Hospitality | DIY

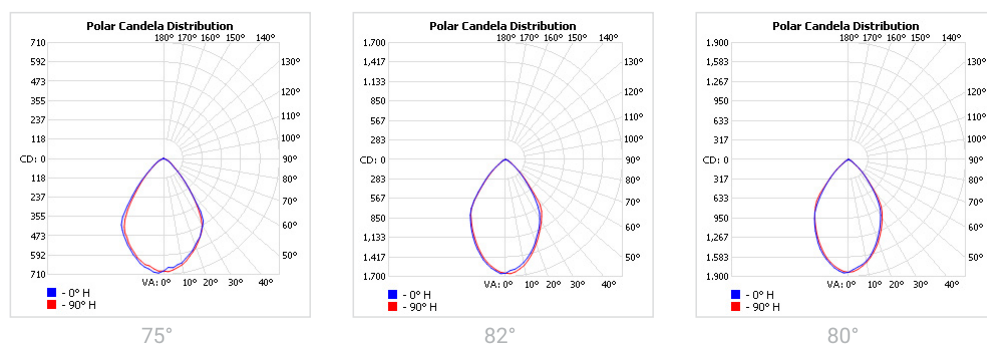


Power consumption	20W	25W	35W
Dimensions	Ø165x97±1mm	Ø215x107±1mm	Ø265x127±1mm
Weight	1.4 Kg	1.5 Kg	1.7 Kg
Housing materials	Aluminium, Glass		
Protection class	Safety class 2		
AC Input [Vac]	230 VAC		
Lifespan [h]	50000		
Lens angle [°]	75°	82°	80°
Housing color	○ RAL 9003 - signal white		
Lumen maintenance	L80/B10@50.000h at 25°C		
IP factor	IP54		
Control option	DALI		
Warranty [years]	5		
Emergency option	-		

Light application	Standard
CRI	CRI 90
CCT [K]	PI
MacAdam	1

CRI - Color rendering, CCT - Color temperature, MacAdam - Color consistency

LIGHT DISTRIBUTION



TOLERANCES

Luminous flux tolerances: -/+ 5%

Consumption tolerance: -/+ 5% for Non-DALI | -/+ 10% for Non-DALI & KIT EM | -/+ 10% for DALI | -/+ 15% for DALI & KIT EM

SKU SPECIFICATIONS

Product Code	Dimensions (mm)	CCT (K)	Lumens (lm)	Power (W)	Eff. (lm/watt)	Lens Angle (°)
CRI 90						
2B9003 Hoya S/IP54/PI/20W/90/W	Ø165x97±1mm	PI	1200	20W	60	75°
2B9004 Hoya M/IP54/PI/25W/90/W	Ø215x107±1mm	PI	2000	25W	80	82°
2B9005 Hoya L/IP54/PI/35W/90/W	Ø265x127±1mm	PI	2500	35W	72	80°