



Tulip S

RECESSED | DALI SERIES

A highly elegant, compact track spotlight. The radiator is encased in the aluminum housing, allowing for a smooth design. Tulip S range includes several special color temperatures for art and fashion. Especially suitable for commercial spaces and showrooms that require a sleek, minimalistic luminaire.

The modern touch is given by the aluminum housing and two color options: signal white and jet black.

Available in two series, with different add-ons and controls:

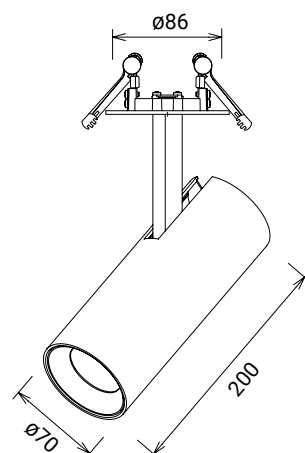
- Tulip S Non-DALI – the standard for any project in the retail sector
- Tulip S DALI – with DALI controls for illumination adjustments

APPLICATION

High End Grocery & Supermarkets | Fashion Retailers | Hospitality | Art & Exhibitions

FEATURES & BENEFITS

- CRI 90 as standard
- 4 color temperatures: 2700K, 3000K, 3500K and 4000K
- Great variety of optics – 4 angles, from narrow beams to flood beams
- Efficiency: 85 lm/W @4000K
- Very long service life: 50.000 h at 90% luminous flux
- Dimmable



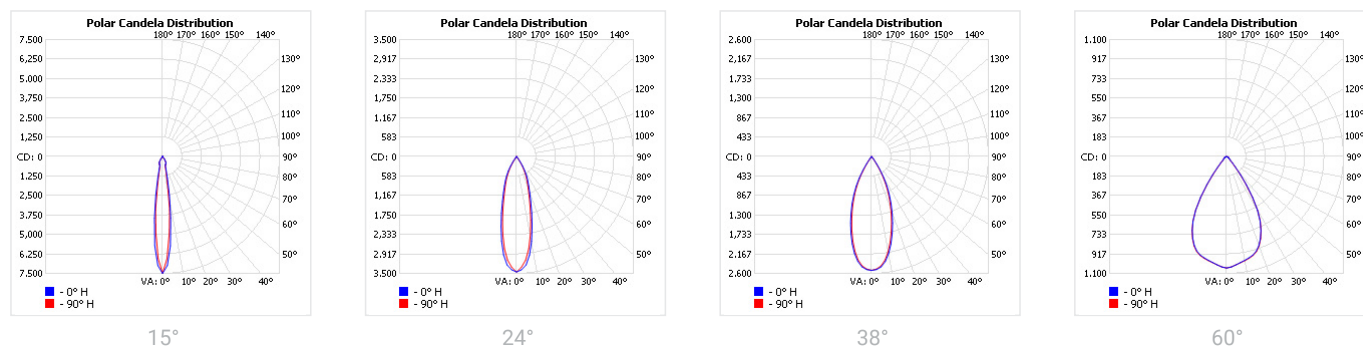
SPECIFICATIONS

Power consumption	14W, 20W
Dimensions	Ø70x200x255mm±1mm
Weight	1 kg
Housing materials	Aluminium, glass
IK code	IK02
THD (at 230V, 50Hz, Full load)	<8%
Protection class	Safety class 1
Operating temperature [°C]	-20°C ... +45°C / -4F ... +113F
Operating humidity [%]	10 ÷ 85
Power factor	≥0.95
AC Input [Vac]	220 - 240 VAC
Lens angle [°]	15°, 24°, 38°, 60°
Lifespan [h]	50.000
Housing color	○ RAL 9003 - Signal white, ● RAL 9005 - Jet Black
Lumen maintenance	L90/B10@50.000h at 25°C
IP factor	IP20
Control optional	DALI
Warranty [years]	5
Storage temperature range [°C]	-20°C ... +55°C / -4F ... +131F
Emergency option	-

#	Standard
CRI	CRI90
CCT [K]	2700/3000/3500/4000
MacAdam	3

CRI - Color rendering, CCT - Color temperature, MacAdam - Color consistency

LIGHT DISTRIBUTION



TOLERANCES

Luminous flux tolerances: -/+ 5%

Consumption tolerance: -/+ 5% for Non-DALI | -/+ 10% for Non-DALI & KIT EM | -/+ 10% for DALI | -/+ 15% for DALI & KIT EM

BATTERY WARRANTY

Non-DALI EM & DALI EM: 12 months warranty

Non-DALI & DALI: -

MAXIMUM NO. OF LUMINAIRES ON A CIRCUIT

Luminaire Power(W)	Control type	Circuit Breaker Type					
		B			C		
		20	16	10	20	16	10
14-20W	Non-DALI	62	50	31	104	85	52
14-20W	DALI	-	130	82	-	-	-

RISK GROUP

Standard (CRI80)	RG1
FOOD (BVF, FBS, FSM)	RG1
FOOD ≤35W (FZM, FSH)	RG1
FOOD >35W (FZM, FSH)	RG2
FAS	RG1
AMB2200	RG1
ART	RG1
AGI	RG1
CRI90	RG1
CRI95	RG1
ENT	RG1

RG1

The evaluation of photobiological safety is carried out according to the standard IEC 62471:2008 ("Photobiological safety of lamps and lamp systems"). Following the definition of the risk grouping system of the mentioned IEC standard, the LEDs mounted on this family fall into the class "Low Risk (RG1 – No photobiological hazard under normal behavioral limitations)". Under real circumstances (regarding exposure time, pupils, observation distance), it is assumed that there is no endangerment to the eye from these devices. As a matter of principle, however, it should be mentioned that intense light sources have a high secondary exposure potential due to their blinding effect.

RG2

The evaluation of photobiological safety is carried out according to the standard IEC 62471:2008 ("Photobiological safety of lamps and lamp systems"). Following the definition of the risk grouping system of the mentioned IEC standard, the LEDs mounted on this family fall into the class "Moderate Risk (RG2)". Under real circumstances (regarding exposure time, pupils, observation distance), it is assumed that there is no endangerment to the eye from these devices. As a matter of principle, however, it should be mentioned that intense light sources have a high secondary exposure potential due to their blinding effect.

SKU SPECIFICATIONS

Product Code	Dimensions (mm)	CCT (K)	Lumens (lm)	Power (W)	Eff. (lm/watt)	Lens Angle (°)
CRI 90						
6G2000 TulipS RE R34014R/2700/14W/90/A15	Ø70x200x255mm±1mm	2700	1055	14W	76	15°
6G2001 TulipS RE R34014R/3000/14W/90/A15	Ø70x200x255mm±1mm	3000	1080	14W	78	15°
6G2002 TulipS RE R34014R/3500/14W/90/A15	Ø70x200x255mm±1mm	3500	1130	14W	81	15°
6G2003 TulipS RE R34014R/4000/14W/90/A15	Ø70x200x255mm±1mm	4000	1185	14W	85	15°
6G2004 TulipS RE R34014R/2700/14W/90/A24	Ø70x200x255mm±1mm	2700	1055	14W	76	24°
6G2005 TulipS RE R34014R/3000/14W/90/A24	Ø70x200x255mm±1mm	3000	1080	14W	78	24°
6G2006 TulipS RE R34014R/3500/14W/90/A24	Ø70x200x255mm±1mm	3500	1130	14W	81	24°
6G2007 TulipS RE R34014R/4000/14W/90/A24	Ø70x200x255mm±1mm	4000	1185	14W	85	24°
6G2008 TulipS RE R34014R/2700/14W/90/A38	Ø70x200x255mm±1mm	2700	1055	14W	76	38°
6G2009 TulipS RE R34014R/3000/14W/90/A38	Ø70x200x255mm±1mm	3000	1080	14W	78	38°
6G2010 TulipS RE R34014R/3500/14W/90/A38	Ø70x200x255mm±1mm	3500	1130	14W	81	38°
6G2011 TulipS RE R34014R/4000/14W/90/A38	Ø70x200x255mm±1mm	4000	1185	14W	85	38°
6G2012 TulipS RE R34014R/2700/14W/90/A60	Ø70x200x255mm±1mm	2700	1055	14W	76	60°
6G2013 TulipS RE R34014R/3000/14W/90/A60	Ø70x200x255mm±1mm	3000	1080	14W	78	60°
6G2014 TulipS RE R34014R/3500/14W/90/A60	Ø70x200x255mm±1mm	3500	1130	14W	81	60°
6G2015 TulipS RE R34014R/4000/14W/90/A60	Ø70x200x255mm±1mm	4000	1185	14W	85	60°
6G2016 TulipS RE R34014R/2700/20W/90/A15	Ø70x200x255mm±1mm	2700	1450	20W	73	15°
6G2017 TulipS RE R34014R/3000/20W/90/A15	Ø70x200x255mm±1mm	3000	1480	20W	74	15°
6G2018 TulipS RE R34014R/3500/20W/90/A15	Ø70x200x255mm±1mm	3500	1555	20W	78	15°
6G2019 TulipS RE R34014R/4000/20W/90/A15	Ø70x200x255mm±1mm	4000	1625	20W	82	15°
6G2020 TulipS RE R34014R/2700/20W/90/A24	Ø70x200x255mm±1mm	2700	1450	20W	73	24°
6G2021 TulipS RE R34014R/3000/20W/90/A24	Ø70x200x255mm±1mm	3000	1480	20W	74	24°
6G2022 TulipS RE R34014R/3500/20W/90/A24	Ø70x200x255mm±1mm	3500	1555	20W	78	24°
6G2023 TulipS RE R34014R/4000/20W/90/A24	Ø70x200x255mm±1mm	4000	1625	20W	82	24°
6G2024 TulipS RE R34014R/2700/20W/90/A38	Ø70x200x255mm±1mm	2700	1450	20W	73	38°
6G2025 TulipS RE R34014R/3000/20W/90/A38	Ø70x200x255mm±1mm	3000	1480	20W	74	38°
6G2026 TulipS RE R34014R/3500/20W/90/A38	Ø70x200x255mm±1mm	3500	1555	20W	78	38°
6G2027 TulipS RE R34014R/4000/20W/90/A38	Ø70x200x255mm±1mm	4000	1625	20W	82	38°
6G2028 TulipS RE R34014R/2700/20W/90/A60	Ø70x200x255mm±1mm	2700	1450	20W	73	60°
6G2029 TulipS RE R34014R/3000/20W/90/A60	Ø70x200x255mm±1mm	3000	1480	20W	74	60°
6G2030 TulipS RE R34014R/3500/20W/90/A60	Ø70x200x255mm±1mm	3500	1555	20W	78	60°
6G2031 TulipS RE R34014R/4000/20W/90/A60	Ø70x200x255mm±1mm	4000	1625	20W	82	60°