

Lenyk PC

SURFACED MOUNTED & SUSPENDED | ECO-DALI EM SERIES

Surface mounted & suspended luminaire with LED modules encased in clear polycarbonate case that provides a high level of visual comfort. Placed within a sleek and modern aluminum housing that blends with all the industrial environments. Highly suitable for lighting tasks in the logistic & industrial, DIY and retail sectors.

Clear polycarbonate case with wide 110-degree lenses is suitable for general lighting in very high-ceiling spaces.

Lenyk PC has several series, determined by various add-on and controls:

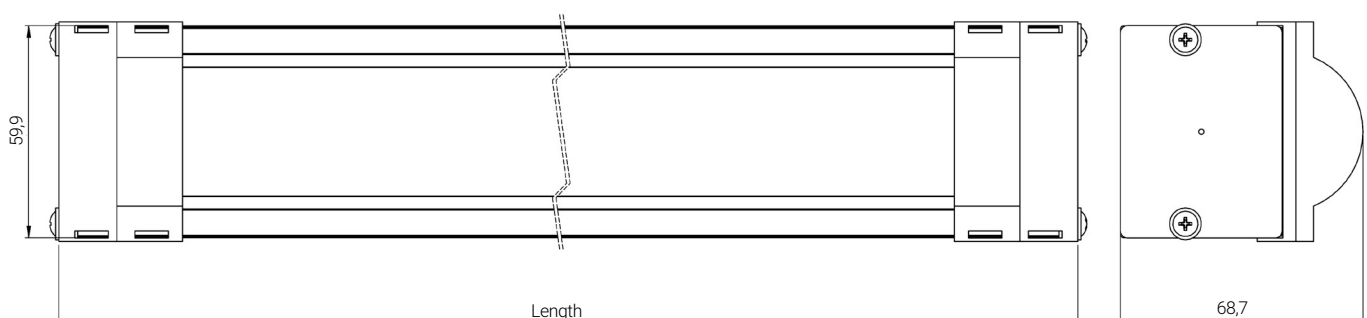
- Lenyk PC TEC: the standard for logistic & industrial, DIY and retail space
- Lenyk PC TEC EM: with emergency lighting kit
- Lenyk PC ECO-DALI: with DALI dimming
- Lenyk PC ECO-DALI EM: with both dimming and emergency kit

FEATURES & BENEFITS

- CRI ≥ 80 as standard
- 4 color temperatures: 3000K, 4000K, 5000K, 6500K
- Long rated life: L90/B10@50.000h
- Very high efficiency: 146 lm/W @4000K
- With emergency kits of 1h and 3 h

APPLICATION

Grocery & Supermarket | Retail | Office | Healthcare | Industrial & Logistic | Hospitality | DIY



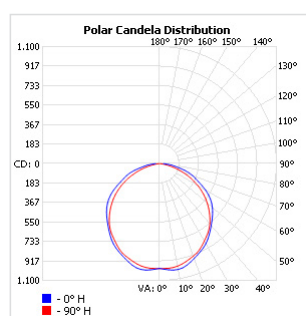
SPECIFICATIONS

Power consumption	15W, 25W, 32W, 38W, 50W	23W, 33W, 37W, 50W, 60W
Dimensions	1211 x 68.7 x 59.9 ± 1mm	1498 x 68.7 x 59.9 ± 1mm
Weight	3.0 - 3.1Kg	3.6 - 3.7kg
Housing materials	Aluminum & Polycarbonate	
IK code	IK04	
THD (at 230V, 50Hz, Full load)	<9%	
Protection class	Safety class 1	
Operating temperature [°C]	+5C...+45C/+41F...+113F	
Operating humidity [%]	10 ÷ 85	
Power factor	≥0.95	
AC Input [Vac]	220 - 240 VAC	
Lens angle [°]	110°	
Lifespan [h]	50,000	
Housing color	● Anodised grey	
Lumen maintenance	L90/B10@50.000h at 25°C	
IP factor	IP20	
Control optional	ECO-DALI	
Warranty [years]	5	
Storage temperature range [°C]	+5C...+25C/+41F...+77F	
Emergency option	EM1H, EM3H	

Light application	Standard
CRI	CRI 80
CCT [K]	3000K/4000K/5000K/6500K
MacAdam	4

CRI - Color rendering, CCT - Color temperature, MacAdam - Color consistency

LIGHT DISTRIBUTION



RISK GROUP

RG1

The evaluation of photobiological safety is carried out according to the standard IEC 62471:2008 (“Photobiological safety of lamps and lamp systems”). Following the definition of the risk grouping system of the mentioned IEC standard, the LEDs mounted on this family fall into the class “Low Risk (RG1 – No photobiological hazard under normal behavioral limitations)”. Under real circumstances (regarding exposure time, pupils, observation distance), it is assumed that there is no endangerment to the eye from these devices. As a matter of principle, however, it should be mentioned that intense light sources have a high secondary exposure potential due to their blinding effect.

TOLERANCES

Luminous flux tolerances: -/+ 5%

Consumption tolerance: -/+ 5% for TEC | -/+ 10% for TEC & KIT EM | -/+ 10% for ECO-DALI | -/+ 15% for ECO-DALI & KIT EM

BATTERY WARRANTY

TEC EM & ECO EM: 12 months warranty

TEC & ECO: -

MAXIMUM NO. OF LUMINAIRES ON A CIRCUIT

Power	Driver type	Control type	Circuit Breaker Type						
			Amperage	B			C		
				20	16	10	20	16	10
< 50W		TEC	37	30	18	62	51	31	
≥ 50W		TEC	37	30	18	62	51	31	
< 80W		ECO	27	21	13	45	35	21	

SKU SPECIFICATIONS

Product Code	Dimensions (mm)	CCT (K)	Lumens (lm)	Power (W)	Eff. (lm/watt)	Lens Angle (°)
CRI 80						
216264 Lenyk PC 120/3000/15W/80/FL/EM1H	1211 x 68.7 x 59.9 ± 1mm	3000	1945	15W	130	110°
216265 Lenyk PC 120/4000/15W/80/FL/EM1H	1211 x 68.7 x 59.9 ± 1mm	4000	2025	15W	135	110°
216266 Lenyk PC 120/5000/15W/80/FL/EM1H	1211 x 68.7 x 59.9 ± 1mm	5000	2080	15W	139	110°
216267 Lenyk PC 120/6500/15W/80/FL/EM1H	1211 x 68.7 x 59.9 ± 1mm	6500	2025	15W	135	110°
216276 Lenyk PC 120/3000/25W/80/FL/EM1H	1211 x 68.7 x 59.9 ± 1mm	3000	3240	25W	130	110°
216277 Lenyk PC 120/4000/25W/80/FL/EM1H	1211 x 68.7 x 59.9 ± 1mm	4000	3375	25W	135	110°
216278 Lenyk PC 120/5000/25W/80/FL/EM1H	1211 x 68.7 x 59.9 ± 1mm	5000	3465	25W	139	110°
216279 Lenyk PC 120/6500/25W/80/FL/EM1H	1211 x 68.7 x 59.9 ± 1mm	6500	3375	25W	135	110°
216288 Lenyk PC 120/3000/32W/80/FL/EM1H	1211 x 68.7 x 59.9 ± 1mm	3000	4155	32W	130	110°
216289 Lenyk PC 120/4000/32W/80/FL/EM1H	1211 x 68.7 x 59.9 ± 1mm	4000	4330	32W	136	110°
216290 Lenyk PC 120/5000/32W/80/FL/EM1H	1211 x 68.7 x 59.9 ± 1mm	5000	4445	32W	139	110°
216291 Lenyk PC 120/6500/32W/80/FL/EM1H	1211 x 68.7 x 59.9 ± 1mm	6500	4330	32W	136	110°
216300 Lenyk PC 120/3000/38W/80/FL/EM1H	1211 x 68.7 x 59.9 ± 1mm	3000	4915	38W	130	110°
216301 Lenyk PC 120/4000/38W/80/FL/EM1H	1211 x 68.7 x 59.9 ± 1mm	4000	5120	38W	135	110°
216302 Lenyk PC 120/5000/38W/80/FL/EM1H	1211 x 68.7 x 59.9 ± 1mm	5000	5260	38W	139	110°
216303 Lenyk PC 120/6500/38W/80/FL/EM1H	1211 x 68.7 x 59.9 ± 1mm	6500	5120	38W	135	110°
216312 Lenyk PC 120/3000/50W/80/FL/EM1H	1211 x 68.7 x 59.9 ± 1mm	3000	6030	50W	121	110°
216313 Lenyk PC 120/4000/50W/80/FL/EM1H	1211 x 68.7 x 59.9 ± 1mm	4000	6285	50W	126	110°
216314 Lenyk PC 120/5000/50W/80/FL/EM1H	1211 x 68.7 x 59.9 ± 1mm	5000	6455	50W	130	110°
216315 Lenyk PC 120/6500/50W/80/FL/EM1H	1211 x 68.7 x 59.9 ± 1mm	6500	6285	50W	126	110°
216324 Lenyk PC 150/3000/23W/80/FL/EM1H	1498 x 68.7 x 59.9 ± 1mm	3000	3155	23W	138	110°
216325 Lenyk PC 150/4000/23W/80/FL/EM1H	1498 x 68.7 x 59.9 ± 1mm	4000	3290	23W	144	110°
216326 Lenyk PC 150/5000/23W/80/FL/EM1H	1498 x 68.7 x 59.9 ± 1mm	5000	3380	23W	147	110°
216327 Lenyk PC 150/6500/23W/80/FL/EM1H	1498 x 68.7 x 59.9 ± 1mm	6500	3290	23W	144	110°
216336 Lenyk PC 150/3000/33W/80/FL/EM1H	1498 x 68.7 x 59.9 ± 1mm	3000	4610	33W	140	110°
216337 Lenyk PC 150/4000/33W/80/FL/EM1H	1498 x 68.7 x 59.9 ± 1mm	4000	4805	33W	146	110°
216338 Lenyk PC 150/5000/33W/80/FL/EM1H	1498 x 68.7 x 59.9 ± 1mm	5000	4935	33W	150	110°
216339 Lenyk PC 150/6500/33W/80/FL/EM1H	1498 x 68.7 x 59.9 ± 1mm	6500	4805	33W	146	110°
216348 Lenyk PC 150/3000/37W/80/FL/EM1H	1498 x 68.7 x 59.9 ± 1mm	3000	4975	37W	135	110°
216349 Lenyk PC 150/4000/37W/80/FL/EM1H	1498 x 68.7 x 59.9 ± 1mm	4000	5185	37W	141	110°
216350 Lenyk PC 150/5000/37W/80/FL/EM1H	1498 x 68.7 x 59.9 ± 1mm	5000	5325	37W	144	110°
216351 Lenyk PC 150/6500/37W/80/FL/EM1H	1498 x 68.7 x 59.9 ± 1mm	6500	5185	37W	141	110°
216360 Lenyk PC 150/3000/50W/80/FL/EM1H	1498 x 68.7 x 59.9 ± 1mm	3000	6395	50W	128	110°
216361 Lenyk PC 150/4000/50W/80/FL/EM1H	1498 x 68.7 x 59.9 ± 1mm	4000	6665	50W	134	110°
216362 Lenyk PC 150/5000/50W/80/FL/EM1H	1498 x 68.7 x 59.9 ± 1mm	5000	6845	50W	137	110°
216363 Lenyk PC 150/6500/50W/80/FL/EM1H	1498 x 68.7 x 59.9 ± 1mm	6500	6665	50W	134	110°
216372 Lenyk PC 150/3000/60W/80/FL/EM1H	1498 x 68.7 x 59.9 ± 1mm	3000	7500	60W	125	110°
216373 Lenyk PC 150/4000/60W/80/FL/EM1H	1498 x 68.7 x 59.9 ± 1mm	4000	7815	60W	131	110°
216374 Lenyk PC 150/5000/60W/80/FL/EM1H	1498 x 68.7 x 59.9 ± 1mm	5000	8030	60W	134	110°
216375 Lenyk PC 150/6500/60W/80/FL/EM1H	1498 x 68.7 x 59.9 ± 1mm	6500	7815	60W	131	110°
261264 Lenyk PC/S 120/3000/15W/80/FL/EM1H	1211 x 68.7 x 59.9 ± 1mm	3000	1945	15W	130	110°
261265 Lenyk PC/S 120/4000/15W/80/FL/EM1H	1211 x 68.7 x 59.9 ± 1mm	4000	2025	15W	135	110°
261266 Lenyk PC/S 120/5000/15W/80/FL/EM1H	1211 x 68.7 x 59.9 ± 1mm	5000	2080	15W	139	110°
261267 Lenyk PC/S 120/6500/15W/80/FL/EM1H	1211 x 68.7 x 59.9 ± 1mm	6500	2025	15W	135	110°
261276 Lenyk PC/S 120/3000/25W/80/FL/EM1H	1211 x 68.7 x 59.9 ± 1mm	3000	3240	25W	130	110°
261277 Lenyk PC/S 120/4000/25W/80/FL/EM1H	1211 x 68.7 x 59.9 ± 1mm	4000	3375	25W	135	110°
261278 Lenyk PC/S 120/5000/25W/80/FL/EM1H	1211 x 68.7 x 59.9 ± 1mm	5000	3465	25W	139	110°
261279 Lenyk PC/S 120/6500/25W/80/FL/EM1H	1211 x 68.7 x 59.9 ± 1mm	6500	3375	25W	135	110°
261288 Lenyk PC/S 120/3000/32W/80/FL/EM1H	1211 x 68.7 x 59.9 ± 1mm	3000	4155	32W	130	110°
261289 Lenyk PC/S 120/4000/32W/80/FL/EM1H	1211 x 68.7 x 59.9 ± 1mm	4000	4330	32W	136	110°

SKU SPECIFICATIONS

Product Code	Dimensions (mm)	CCT (K)	Lumens (lm)	Power (W)	Eff. (lm/watt)	Lens Angle (°)
CRI 80						
261290 Lenyk PC/S 120/5000/32W/80/FL/EM1H	1211 x 68.7 x 59.9 ± 1mm	5000	4445	32W	139	110°
261291 Lenyk PC/S 120/6500/32W/80/FL/EM1H	1211 x 68.7 x 59.9 ± 1mm	6500	4330	32W	136	110°
261300 Lenyk PC/S 120/3000/38W/80/FL/EM1H	1211 x 68.7 x 59.9 ± 1mm	3000	4915	38W	130	110°
261301 Lenyk PC/S 120/4000/38W/80/FL/EM1H	1211 x 68.7 x 59.9 ± 1mm	4000	5120	38W	135	110°
261302 Lenyk PC/S 120/5000/38W/80/FL/EM1H	1211 x 68.7 x 59.9 ± 1mm	5000	5260	38W	139	110°
261303 Lenyk PC/S 120/6500/38W/80/FL/EM1H	1211 x 68.7 x 59.9 ± 1mm	6500	5120	38W	135	110°
261312 Lenyk PC/S 120/3000/50W/80/FL/EM1H	1211 x 68.7 x 59.9 ± 1mm	3000	6030	50W	121	110°
261313 Lenyk PC/S 120/4000/50W/80/FL/EM1H	1211 x 68.7 x 59.9 ± 1mm	4000	6285	50W	126	110°
261314 Lenyk PC/S 120/5000/50W/80/FL/EM1H	1211 x 68.7 x 59.9 ± 1mm	5000	6455	50W	130	110°
261315 Lenyk PC/S 120/6500/50W/80/FL/EM1H	1211 x 68.7 x 59.9 ± 1mm	6500	6285	50W	126	110°
261324 Lenyk PC/S 150/3000/23W/80/FL/EM1H	1498 x 68.7 x 59.9 ± 1mm	3000	3155	23W	138	110°
261325 Lenyk PC/S 150/4000/23W/80/FL/EM1H	1498 x 68.7 x 59.9 ± 1mm	4000	3290	23W	144	110°
261326 Lenyk PC/S 150/5000/23W/80/FL/EM1H	1498 x 68.7 x 59.9 ± 1mm	5000	3380	23W	147	110°
261327 Lenyk PC/S 150/6500/23W/80/FL/EM1H	1498 x 68.7 x 59.9 ± 1mm	6500	3290	23W	144	110°
261336 Lenyk PC/S 150/3000/33W/80/FL/EM1H	1498 x 68.7 x 59.9 ± 1mm	3000	4610	33W	140	110°
261337 Lenyk PC/S 150/4000/33W/80/FL/EM1H	1498 x 68.7 x 59.9 ± 1mm	4000	4805	33W	146	110°
261338 Lenyk PC/S 150/5000/33W/80/FL/EM1H	1498 x 68.7 x 59.9 ± 1mm	5000	4935	33W	150	110°
261339 Lenyk PC/S 150/6500/33W/80/FL/EM1H	1498 x 68.7 x 59.9 ± 1mm	6500	4805	33W	146	110°
261348 Lenyk PC/S 150/3000/37W/80/FL/EM1H	1498 x 68.7 x 59.9 ± 1mm	3000	4975	37W	135	110°
261349 Lenyk PC/S 150/4000/37W/80/FL/EM1H	1498 x 68.7 x 59.9 ± 1mm	4000	5185	37W	141	110°
261350 Lenyk PC/S 150/5000/37W/80/FL/EM1H	1498 x 68.7 x 59.9 ± 1mm	5000	5325	37W	144	110°
261351 Lenyk PC/S 150/6500/37W/80/FL/EM1H	1498 x 68.7 x 59.9 ± 1mm	6500	5185	37W	141	110°
261360 Lenyk PC/S 150/3000/50W/80/FL/EM1H	1498 x 68.7 x 59.9 ± 1mm	3000	6395	50W	128	110°
261361 Lenyk PC/S 150/4000/50W/80/FL/EM1H	1498 x 68.7 x 59.9 ± 1mm	4000	6665	50W	134	110°
261362 Lenyk PC/S 150/5000/50W/80/FL/EM1H	1498 x 68.7 x 59.9 ± 1mm	5000	6845	50W	137	110°
261363 Lenyk PC/S 150/6500/50W/80/FL/EM1H	1498 x 68.7 x 59.9 ± 1mm	6500	6665	50W	134	110°
261372 Lenyk PC/S 150/3000/60W/80/FL/EM1H	1498 x 68.7 x 59.9 ± 1mm	3000	7500	60W	125	110°
261373 Lenyk PC/S 150/4000/60W/80/FL/EM1H	1498 x 68.7 x 59.9 ± 1mm	4000	7815	60W	131	110°
261374 Lenyk PC/S 150/5000/60W/80/FL/EM1H	1498 x 68.7 x 59.9 ± 1mm	5000	8030	60W	134	110°
261375 Lenyk PC/S 150/6500/60W/80/FL/EM1H	1498 x 68.7 x 59.9 ± 1mm	6500	7815	60W	131	110°
216384 Lenyk PC 120/3000/15W/80/FL/EM3H	1211 x 68.7 x 59.9 ± 1mm	3000	1945	15W	130	110°
216385 Lenyk PC 120/4000/15W/80/FL/EM3H	1211 x 68.7 x 59.9 ± 1mm	4000	2025	15W	135	110°
216386 Lenyk PC 120/5000/15W/80/FL/EM3H	1211 x 68.7 x 59.9 ± 1mm	5000	2080	15W	139	110°
216387 Lenyk PC 120/6500/15W/80/FL/EM3H	1211 x 68.7 x 59.9 ± 1mm	6500	2025	15W	135	110°
216396 Lenyk PC 120/3000/25W/80/FL/EM3H	1211 x 68.7 x 59.9 ± 1mm	3000	3240	25W	130	110°
216397 Lenyk PC 120/4000/25W/80/FL/EM3H	1211 x 68.7 x 59.9 ± 1mm	4000	3375	25W	135	110°
216398 Lenyk PC 120/5000/25W/80/FL/EM3H	1211 x 68.7 x 59.9 ± 1mm	5000	3465	25W	139	110°
216399 Lenyk PC 120/6500/25W/80/FL/EM3H	1211 x 68.7 x 59.9 ± 1mm	6500	3375	25W	135	110°
216408 Lenyk PC 120/3000/32W/80/FL/EM3H	1211 x 68.7 x 59.9 ± 1mm	3000	4155	32W	130	110°
216409 Lenyk PC 120/4000/32W/80/FL/EM3H	1211 x 68.7 x 59.9 ± 1mm	4000	4330	32W	136	110°
216410 Lenyk PC 120/5000/32W/80/FL/EM3H	1211 x 68.7 x 59.9 ± 1mm	5000	4445	32W	139	110°
216411 Lenyk PC 120/6500/32W/80/FL/EM3H	1211 x 68.7 x 59.9 ± 1mm	6500	4330	32W	136	110°
216420 Lenyk PC 120/3000/38W/80/FL/EM3H	1211 x 68.7 x 59.9 ± 1mm	3000	4915	38W	130	110°
216421 Lenyk PC 120/4000/38W/80/FL/EM3H	1211 x 68.7 x 59.9 ± 1mm	4000	5120	38W	135	110°
216422 Lenyk PC 120/5000/38W/80/FL/EM3H	1211 x 68.7 x 59.9 ± 1mm	5000	5260	38W	139	110°
216423 Lenyk PC 120/6500/38W/80/FL/EM3H	1211 x 68.7 x 59.9 ± 1mm	6500	5120	38W	135	110°
216432 Lenyk PC 120/3000/50W/80/FL/EM3H	1211 x 68.7 x 59.9 ± 1mm	3000	6030	50W	121	110°
216433 Lenyk PC 120/4000/50W/80/FL/EM3H	1211 x 68.7 x 59.9 ± 1mm	4000	6285	50W	126	110°
216434 Lenyk PC 120/5000/50W/80/FL/EM3H	1211 x 68.7 x 59.9 ± 1mm	5000	6455	50W	130	110°
216435 Lenyk PC 120/6500/50W/80/FL/EM3H	1211 x 68.7 x 59.9 ± 1mm	6500	6285	50W	126	110°

SKU SPECIFICATIONS

Product Code	Dimensions (mm)	CCT (K)	Lumens (lm)	Power (W)	Eff. (lm/watt)	Lens Angle (°)
CRI 80						
216444 Lenyk PC 150/3000/23W/80/FL/EM3H	1498 x 68.7 x 59.9 ± 1mm	3000	3155	23W	138	110°
216445 Lenyk PC 150/4000/23W/80/FL/EM3H	1498 x 68.7 x 59.9 ± 1mm	4000	3290	23W	144	110°
216446 Lenyk PC 150/5000/23W/80/FL/EM3H	1498 x 68.7 x 59.9 ± 1mm	5000	3380	23W	147	110°
216447 Lenyk PC 150/6500/23W/80/FL/EM3H	1498 x 68.7 x 59.9 ± 1mm	6500	3290	23W	144	110°
216456 Lenyk PC 150/3000/33W/80/FL/EM3H	1498 x 68.7 x 59.9 ± 1mm	3000	4610	33W	140	110°
216457 Lenyk PC 150/4000/33W/80/FL/EM3H	1498 x 68.7 x 59.9 ± 1mm	4000	4805	33W	146	110°
216458 Lenyk PC 150/5000/33W/80/FL/EM3H	1498 x 68.7 x 59.9 ± 1mm	5000	4935	33W	150	110°
216459 Lenyk PC 150/6500/33W/80/FL/EM3H	1498 x 68.7 x 59.9 ± 1mm	6500	4805	33W	146	110°
216468 Lenyk PC 150/3000/37W/80/FL/EM3H	1498 x 68.7 x 59.9 ± 1mm	3000	4975	37W	135	110°
216469 Lenyk PC 150/4000/37W/80/FL/EM3H	1498 x 68.7 x 59.9 ± 1mm	4000	5185	37W	141	110°
216470 Lenyk PC 150/5000/37W/80/FL/EM3H	1498 x 68.7 x 59.9 ± 1mm	5000	5325	37W	144	110°
216471 Lenyk PC 150/6500/37W/80/FL/EM3H	1498 x 68.7 x 59.9 ± 1mm	6500	5185	37W	141	110°
216480 Lenyk PC 150/3000/50W/80/FL/EM3H	1498 x 68.7 x 59.9 ± 1mm	3000	6395	50W	128	110°
216481 Lenyk PC 150/4000/50W/80/FL/EM3H	1498 x 68.7 x 59.9 ± 1mm	4000	6665	50W	134	110°
216482 Lenyk PC 150/5000/50W/80/FL/EM3H	1498 x 68.7 x 59.9 ± 1mm	5000	6845	50W	137	110°
216483 Lenyk PC 150/6500/50W/80/FL/EM3H	1498 x 68.7 x 59.9 ± 1mm	6500	6665	50W	134	110°
216492 Lenyk PC 150/3000/60W/80/FL/EM3H	1498 x 68.7 x 59.9 ± 1mm	3000	7500	60W	125	110°
216493 Lenyk PC 150/4000/60W/80/FL/EM3H	1498 x 68.7 x 59.9 ± 1mm	4000	7815	60W	131	110°
216494 Lenyk PC 150/5000/60W/80/FL/EM3H	1498 x 68.7 x 59.9 ± 1mm	5000	8030	60W	134	110°
216495 Lenyk PC 150/6500/60W/80/FL/EM3H	1498 x 68.7 x 59.9 ± 1mm	6500	7815	60W	131	110°
261384 Lenyk PC/S 120/3000/15W/80/FL/EM3H	1211 x 68.7 x 59.9 ± 1mm	3000	1945	15W	130	110°
261385 Lenyk PC/S 120/4000/15W/80/FL/EM3H	1211 x 68.7 x 59.9 ± 1mm	4000	2025	15W	135	110°
261386 Lenyk PC/S 120/5000/15W/80/FL/EM3H	1211 x 68.7 x 59.9 ± 1mm	5000	2080	15W	139	110°
261387 Lenyk PC/S 120/6500/15W/80/FL/EM3H	1211 x 68.7 x 59.9 ± 1mm	6500	2025	15W	135	110°
261396 Lenyk PC/S 120/3000/25W/80/FL/EM3H	1211 x 68.7 x 59.9 ± 1mm	3000	3240	25W	130	110°
261397 Lenyk PC/S 120/4000/25W/80/FL/EM3H	1211 x 68.7 x 59.9 ± 1mm	4000	3375	25W	135	110°
261398 Lenyk PC/S 120/5000/25W/80/FL/EM3H	1211 x 68.7 x 59.9 ± 1mm	5000	3465	25W	139	110°
261399 Lenyk PC/S 120/6500/25W/80/FL/EM3H	1211 x 68.7 x 59.9 ± 1mm	6500	3375	25W	135	110°
261408 Lenyk PC/S 120/3000/32W/80/FL/EM3H	1211 x 68.7 x 59.9 ± 1mm	3000	4155	32W	130	110°
261409 Lenyk PC/S 120/4000/32W/80/FL/EM3H	1211 x 68.7 x 59.9 ± 1mm	4000	4330	32W	136	110°
261410 Lenyk PC/S 120/5000/32W/80/FL/EM3H	1211 x 68.7 x 59.9 ± 1mm	5000	4445	32W	139	110°
261411 Lenyk PC/S 120/6500/32W/80/FL/EM3H	1211 x 68.7 x 59.9 ± 1mm	6500	4330	32W	136	110°
261420 Lenyk PC/S 120/3000/38W/80/FL/EM3H	1211 x 68.7 x 59.9 ± 1mm	3000	4915	38W	130	110°
261421 Lenyk PC/S 120/4000/38W/80/FL/EM3H	1211 x 68.7 x 59.9 ± 1mm	4000	5120	38W	135	110°
261422 Lenyk PC/S 120/5000/38W/80/FL/EM3H	1211 x 68.7 x 59.9 ± 1mm	5000	5260	38W	139	110°
261423 Lenyk PC/S 120/6500/38W/80/FL/EM3H	1211 x 68.7 x 59.9 ± 1mm	6500	5120	38W	135	110°
261432 Lenyk PC/S 120/3000/50W/80/FL/EM3H	1211 x 68.7 x 59.9 ± 1mm	3000	6030	50W	121	110°
261433 Lenyk PC/S 120/4000/50W/80/FL/EM3H	1211 x 68.7 x 59.9 ± 1mm	4000	6285	50W	126	110°
261434 Lenyk PC/S 120/5000/50W/80/FL/EM3H	1211 x 68.7 x 59.9 ± 1mm	5000	6455	50W	130	110°
261435 Lenyk PC/S 120/6500/50W/80/FL/EM3H	1211 x 68.7 x 59.9 ± 1mm	6500	6285	50W	126	110°
261444 Lenyk PC/S 150/3000/23W/80/FL/EM3H	1498 x 68.7 x 59.9 ± 1mm	3000	3155	23W	138	110°
261445 Lenyk PC/S 150/4000/23W/80/FL/EM3H	1498 x 68.7 x 59.9 ± 1mm	4000	3290	23W	144	110°
261446 Lenyk PC/S 150/5000/23W/80/FL/EM3H	1498 x 68.7 x 59.9 ± 1mm	5000	3380	23W	147	110°
261447 Lenyk PC/S 150/6500/23W/80/FL/EM3H	1498 x 68.7 x 59.9 ± 1mm	6500	3290	23W	144	110°
261456 Lenyk PC/S 150/3000/33W/80/FL/EM3H	1498 x 68.7 x 59.9 ± 1mm	3000	4610	33W	140	110°
261457 Lenyk PC/S 150/4000/33W/80/FL/EM3H	1498 x 68.7 x 59.9 ± 1mm	4000	4805	33W	146	110°
261458 Lenyk PC/S 150/5000/33W/80/FL/EM3H	1498 x 68.7 x 59.9 ± 1mm	5000	4935	33W	150	110°
261459 Lenyk PC/S 150/6500/33W/80/FL/EM3H	1498 x 68.7 x 59.9 ± 1mm	6500	4805	33W	146	110°
261468 Lenyk PC/S 150/3000/37W/80/FL/EM3H	1498 x 68.7 x 59.9 ± 1mm	3000	4975	37W	135	110°
261469 Lenyk PC/S 150/4000/37W/80/FL/EM3H	1498 x 68.7 x 59.9 ± 1mm	4000	5185	37W	141	110°

SKU SPECIFICATIONS

Product Code	Dimensions (mm)	CCT (K)	Lumens (lm)	Power (W)	Eff. (lm/watt)	Lens Angle (°)
CRI 80						
261470 Lenyk PC/S 150/5000/37W/80/FL/EM3H	1498 x 68.7 x 59.9 ± 1mm	5000	5325	37W	144	110°
261471 Lenyk PC/S 150/6500/37W/80/FL/EM3H	1498 x 68.7 x 59.9 ± 1mm	6500	5185	37W	141	110°
261480 Lenyk PC/S 150/3000/50W/80/FL/EM3H	1498 x 68.7 x 59.9 ± 1mm	3000	6395	50W	128	110°
261481 Lenyk PC/S 150/4000/50W/80/FL/EM3H	1498 x 68.7 x 59.9 ± 1mm	4000	6665	50W	134	110°
261482 Lenyk PC/S 150/5000/50W/80/FL/EM3H	1498 x 68.7 x 59.9 ± 1mm	5000	6845	50W	137	110°
261483 Lenyk PC/S 150/6500/50W/80/FL/EM3H	1498 x 68.7 x 59.9 ± 1mm	6500	6665	50W	134	110°
261492 Lenyk PC/S 150/3000/60W/80/FL/EM3H	1498 x 68.7 x 59.9 ± 1mm	3000	7500	60W	125	110°
261493 Lenyk PC/S 150/4000/60W/80/FL/EM3H	1498 x 68.7 x 59.9 ± 1mm	4000	7815	60W	131	110°
261494 Lenyk PC/S 150/5000/60W/80/FL/EM3H	1498 x 68.7 x 59.9 ± 1mm	5000	8030	60W	134	110°
261495 Lenyk PC/S 150/6500/60W/80/FL/EM3H	1498 x 68.7 x 59.9 ± 1mm	6500	7815	60W	131	110°