



## Ledomero

### RECESSED DOWNLIGHTS & SPOTLIGHTS | ECO-DALI SERIES

Highly flexible recessed spotlight with narrow adjustable angle mechanism for precise lighting. Direct light emission targets modern spaces that need to illuminate a wide range of display products like shops, showrooms, art galleries.

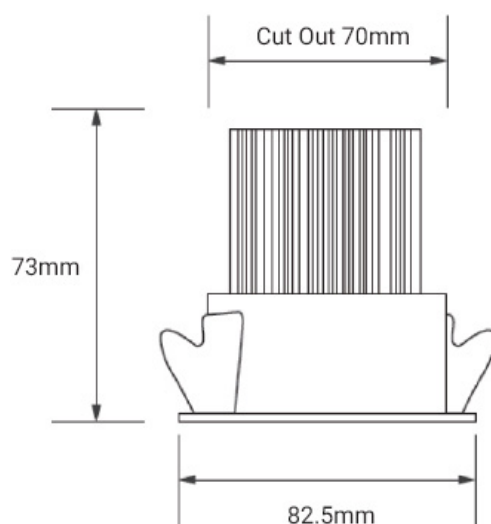
Minimalist housing comes in two colors - signal white and jet black - for a perfect blend with the environment.

### APPLICATION

Grocery & Supermarkets | Retail | Office | Healthcare | Hospitality | DIY

### FEATURES & BENEFITS

- CRI > 80 as standard for commercial spaces
- 3 available color temperatures
- Narrow beam for precise lighting: 30°
- Long rated life: L90/B10@50.000h
- Dimmable



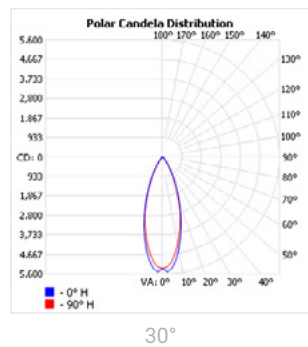
**SPECIFICATIONS**

Power consumption	8W, 10W, 12W
Dimensions	D82.5 x H73 ± 1mm
Weight	0.4 Kg
Housing materials	Aluminium, Glass
IK code	IK02
THD (at 230V, 50Hz, Full load)	<8%
Protection class	Safety class 1
Operating temperature [°C]	-20 ... +45 °C / -4F ... +113F
Operating humidity [%]	10 ÷ 85
Power factor	≥0.95
AC Input [Vac]	220 - 240 VAC
Lens angle [°]	30°
Lifespan [h]	50,000
Housing color	○ RAL 9003 - Signal white, ● RAL 9005 - Jet black
Lumen maintenance	L90/B10@50,000h at 25°C
IP factor	IP20
Control optional	ECO-DALI
Warranty [years]	5
Storage temperature range [°C]	-20 ... +55 / -4F ... +131F
Emergency option	-

#	Standard	Food	Fashion	AGI	Enhanced	ART	AMB	SUNSET
CRI	CRI80	CRI80	CRI95	CRI93	CRI95	CRI98	CRI80	CRI90
CCT [K]	2700 / 3000 / 3500 / 4000	BVF / FBS / FZM / FSM / FSH	FAS	AGI 3000 / 3500 / 4000	2700 / 3000 / 3500 / 4000	ART 2700 / 3000	2200	1800...2700
MacAdam	3	3 / 4 / 4 / 3 / 3	3	3	2	2	3	3

CRI - Color rendering, CCT - Color temperature, MacAdam - Color consistency

**LIGHT DISTRIBUTION**



## SKU SPECIFICATIONS

Product Code	Dimensions (mm)	CCT (K)	Lumens (lm)	Power (W)	Eff. (lm/watt)	Lens Angle (°)
<b>CRI 80</b>						
214001 Ledomero /DSA/3000/8W/80	D82,5 x H73 ±1mm	3000K	565	8W	71	30°
214002 Ledomero /DSA/4000/8W/80	D82,5 x H73 ±1mm	4000K	595	8W	75	30°
214005 Ledomero /DSA/3000/10W/80	D82,5 x H73 ±1mm	3000K	645	10W	65	30°
214006 Ledomero /DSA/4000/10W/80	D82,5 x H73 ±1mm	4000K	675	10W	68	30°
214009 Ledomero /DSA/3000/12W/80	D82,5 x H73 ±1mm	3000K	730	12W	61	30°
214010 Ledomero /DSA/4000/12W/80	D82,5 x H73 ±1mm	4000K	765	12W	64	30°
214024 Ledomero /DSA/AMB2200/12W/80	D82,5 x H73 ±1mm	AMB2200	740	12W	62	30°