



## Casey BZ

### DAMP-PROOF | TEC SERIES

A surface-mounted, waterproof lighting fixture suitable for industrial applications. It has a wide beam angle of 130 degrees. Suitable for use in damp or dusty conditions thanks to the extra protection factor.

Low-maintenance luminaire that is easy to clean and offers few surfaces on which dirt can settle. High energy-saving potential, even for extensively used lighting needs in spaces such as logistic and industrial, warehouses.

Housing made of curved-lines polycarbonate and equipped with high quality polyurethane gasket for high durability. With an IP65 protection factor.

Series available:

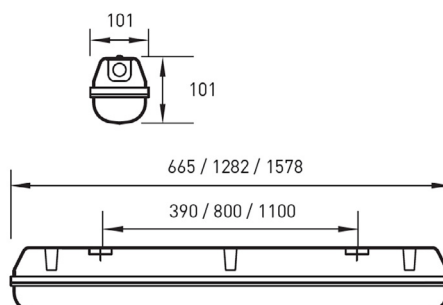
- Casey BZ - with special adaptation for very cold environments, operational down to -25 degrees Celsius

### Features & Benefits

- CRI 80 as standard
- 4 color temperatures: 3000K, 4000K, 5000K and 6500K
- Long rated life – L90/B10 at 50,000h
- High luminaire efficiency: 155 lm/W @4000K

### Applications

Industrial & Logistic | Parking



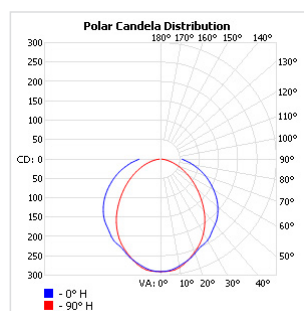
## Specifications

Power consumption	8W, 15W, 24W	15W, 25W, 32W, 38W, 50W	23W, 33W, 37W, 50W, 60W
Dimensions	665 x 101 x 101 ± 1mm	1282 x 101 x 101 ± 1mm	1578 x 101 x 101 ± 1mm
Weight	1.1Kg	1.9Kg	2.3Kg
Housing materials	Polycarbonate		
IK code	IK08		
THD (at 230V, 50Hz, Full load)	<8%		
Protection class	Safety class 1		
Operating temperature [°C]	-25C...+45C/-13F...+113F		
Operating humidity [%]	10 ÷ 85		
Power factor	≥0.95		
AC Input [Vac]	220 - 240 VAC		
Lens angle [°]	130°		
Lifespan [h]	50,000		
Housing color	● RAL7035 - Light grey		
Lumen maintenance	L90/B10@50.000h at 25°C		
IP factor	IP65		
Control optional	-		
Warranty [years]	5		
Storage temperature range [°C]	-25C...+55C/-13F...+131F		
Emergency option	-		

Light application	Standard
CRI	CRI 80
CCT [K]	3000K/4000K/5000K/6500K
MacAdam	4

CRI - Color rendering, CCT - Color temperature, MacAdam - Color consistency

## Light distribution



A130

**RISK GROUP****RG1**

The evaluation of photobiological safety is carried out according to the standard IEC 62471:2008 ("Photobiological safety of lamps and lamp systems"). Following the definition of the risk grouping system of the mentioned IEC standard, the LEDs mounted on this family fall into the class "Low Risk (RG1 – No photobiological hazard under normal behavioral limitations)". Under real circumstances (regarding exposure time, pupils, observation distance), it is assumed that there is no endangerment to the eye from these devices. As a matter of principle, however, it should be mentioned that intense light sources have a high secondary exposure potential due to their blinding effect.

**TOLERANCES**

**Luminous flux tolerances:** -/+ 5%

**Consumption tolerance:** -/+ 5% for TEC | -/+ 10% for TEC & KIT EM | -/+ 10% for ECO-DALI | -/+ 15% for ECO-DALI & KIT EM

**BATTERY WARRANTY**

**TEC EM & ECO EM:** 12 months warranty

**TEC & ECO:** -

**MAXIMUM NO. OF LUMINAIRES ON A CIRCUIT**

Power	Driver type	Control type	Circuit Breaker Type						
			Amperage	B			C		
				20	16	10	20	16	10
< 50W		TEC		37	30	18	62	51	31
≥ 50W		TEC		37	30	18	62	51	31
< 80W		ECO		27	21	13	45	35	21

## SKU SPECIFICATIONS

Product Code	Dimensions (mm)	CCT (K)	Lumens (lm)	Power (W)	Eff. (lm/watt)	Lens Angle (°)
<b>CRI 80</b>						
103292 Casey 60IP65/3000/8W/80/BZ	665 x 101 x 101 ± 1mm	3000	960	8W	120	130°
103293 Casey 60IP65/4000/8W/80/BZ	665 x 101 x 101 ± 1mm	4000	1005	8W	126	130°
103294 Casey 60IP65/5000/8W/80/BZ	665 x 101 x 101 ± 1mm	5000	1030	8W	129	130°
103295 Casey 60IP65/6500/8W/80/BZ	665 x 101 x 101 ± 1mm	6500	1005	8W	126	130°
103296 Casey 60IP65/3000/15W/80/BZ	665 x 101 x 101 ± 1mm	3000	1775	15W	119	130°
103297 Casey 60IP65/4000/15W/80/BZ	665 x 101 x 101 ± 1mm	4000	1850	15W	124	130°
103298 Casey 60IP65/5000/15W/80/BZ	665 x 101 x 101 ± 1mm	5000	1900	15W	127	130°
103299 Casey 60IP65/6500/15W/80/BZ	665 x 101 x 101 ± 1mm	6500	1850	15W	124	130°
103300 Casey 60IP65/3000/24W/80/BZ	665 x 101 x 101 ± 1mm	3000	2935	24W	123	130°
103301 Casey 60IP65/4000/24W/80/BZ	665 x 101 x 101 ± 1mm	4000	3060	24W	128	130°
103302 Casey 60IP65/5000/24W/80/BZ	665 x 101 x 101 ± 1mm	5000	3145	24W	132	130°
103303 Casey 60IP65/6500/24W/80/BZ	665 x 101 x 101 ± 1mm	6500	3060	24W	128	130°
103304 Casey 120IP65/3000/15W/80/BZ	1282 x 101 x 101 ± 1mm	3000	2040	15W	136	130°
103305 Casey 120IP65/4000/15W/80/BZ	1282 x 101 x 101 ± 1mm	4000	2125	15W	142	130°
103306 Casey 120IP65/5000/15W/80/BZ	1282 x 101 x 101 ± 1mm	5000	2185	15W	146	130°
103307 Casey 120IP65/6500/15W/80/BZ	1282 x 101 x 101 ± 1mm	6500	2125	15W	142	130°
103308 Casey 120IP65/3000/25W/80/BZ	1282 x 101 x 101 ± 1mm	3000	3480	25W	140	130°
103309 Casey 120IP65/4000/25W/80/BZ	1282 x 101 x 101 ± 1mm	4000	3625	25W	145	130°
103310 Casey 120IP65/5000/25W/80/BZ	1282 x 101 x 101 ± 1mm	5000	3725	25W	149	130°
103311 Casey 120IP65/6500/25W/80/BZ	1282 x 101 x 101 ± 1mm	6500	3625	25W	145	130°
103312 Casey 120IP65/3000/32W/80/BZ	1282 x 101 x 101 ± 1mm	3000	4460	32W	140	130°
103313 Casey 120IP65/4000/32W/80/BZ	1282 x 101 x 101 ± 1mm	4000	4650	32W	146	130°
103314 Casey 120IP65/5000/32W/80/BZ	1282 x 101 x 101 ± 1mm	5000	4775	32W	150	130°
103315 Casey 120IP65/6500/32W/80/BZ	1282 x 101 x 101 ± 1mm	6500	4650	32W	146	130°
103316 Casey 120IP65/3000/38W/80/BZ	1282 x 101 x 101 ± 1mm	3000	5115	38W	135	130°
103317 Casey 120IP65/4000/38W/80/BZ	1282 x 101 x 101 ± 1mm	4000	5335	38W	141	130°
103318 Casey 120IP65/5000/38W/80/BZ	1282 x 101 x 101 ± 1mm	5000	5475	38W	145	130°
103319 Casey 120IP65/6500/38W/80/BZ	1282 x 101 x 101 ± 1mm	6500	5335	38W	141	130°
103320 Casey 120IP65/3000/50W/80/BZ	1282 x 101 x 101 ± 1mm	3000	6335	50W	127	130°
103321 Casey 120IP65/4000/50W/80/BZ	1282 x 101 x 101 ± 1mm	4000	6605	50W	133	130°
103322 Casey 120IP65/5000/50W/80/BZ	1282 x 101 x 101 ± 1mm	5000	6785	50W	136	130°
103323 Casey 120IP65/6500/50W/80/BZ	1282 x 101 x 101 ± 1mm	6500	6605	50W	133	130°
103324 Casey 150IP65/3000/23W/80/BZ	1578 x 101 x 101 ± 1mm	3000	3180	23W	139	130°
103325 Casey 150IP65/4000/23W/80/BZ	1578 x 101 x 101 ± 1mm	4000	3315	23W	145	130°
103326 Casey 150IP65/5000/23W/80/BZ	1578 x 101 x 101 ± 1mm	5000	3405	23W	149	130°
103327 Casey 150IP65/6500/23W/80/BZ	1578 x 101 x 101 ± 1mm	6500	3315	23W	145	130°
103328 Casey 150IP65/3000/33W/80/BZ	1578 x 101 x 101 ± 1mm	3000	4615	33W	140	130°
103329 Casey 150IP65/4000/33W/80/BZ	1578 x 101 x 101 ± 1mm	4000	4810	33W	146	130°
103330 Casey 150IP65/5000/33W/80/BZ	1578 x 101 x 101 ± 1mm	5000	4940	33W	150	130°
103331 Casey 150IP65/6500/33W/80/BZ	1578 x 101 x 101 ± 1mm	6500	4810	33W	146	130°
103332 Casey 150IP65/3000/37W/80/BZ	1578 x 101 x 101 ± 1mm	3000	5470	37W	148	130°
103333 Casey 150IP65/4000/37W/80/BZ	1578 x 101 x 101 ± 1mm	4000	5705	37W	155	130°
103334 Casey 150IP65/5000/37W/80/BZ	1578 x 101 x 101 ± 1mm	5000	5855	37W	159	130°
103335 Casey 150IP65/6500/37W/80/BZ	1578 x 101 x 101 ± 1mm	6500	5705	37W	155	130°
103336 Casey 150IP65/3000/50W/80/BZ	1578 x 101 x 101 ± 1mm	3000	6730	50W	135	130°
103337 Casey 150IP65/4000/50W/80/BZ	1578 x 101 x 101 ± 1mm	4000	7010	50W	141	130°
103338 Casey 150IP65/5000/50W/80/BZ	1578 x 101 x 101 ± 1mm	5000	7200	50W	144	130°
103339 Casey 150IP65/6500/50W/80/BZ	1578 x 101 x 101 ± 1mm	6500	7010	50W	141	130°
103340 Casey 150IP65/3000/60W/80/BZ	1578 x 101 x 101 ± 1mm	3000	7705	60W	129	130°
103341 Casey 150IP65/4000/60W/80/BZ	1578 x 101 x 101 ± 1mm	4000	8030	60W	134	130°
103342 Casey 150IP65/5000/60W/80/BZ	1578 x 101 x 101 ± 1mm	5000	8245	60W	138	130°
103343 Casey 150IP65/6500/60W/80/BZ	1578 x 101 x 101 ± 1mm	6500	8030	60W	134	130°

## SKU SPECIFICATIONS

Product Code	Dimensions (mm)	CCT (K)	Lumens (lm)	Power (W)	Eff. (lm/watt)	Lens Angle (°)
<b>CRI 80</b>						
103344 Casey 60IP65/3000/8W/80/DSPC/BZ	665 x 101 x 101 ± 1mm	3000	960	8W	120	130°
103345 Casey 60IP65/4000/8W/80/DSPC/BZ	665 x 101 x 101 ± 1mm	4000	1005	8W	126	130°
103346 Casey 60IP65/5000/8W/80/DSPC/BZ	665 x 101 x 101 ± 1mm	5000	1030	8W	129	130°
103347 Casey 60IP65/6500/8W/80/DSPC/BZ	665 x 101 x 101 ± 1mm	6500	1005	8W	126	130°
103348 Casey 60IP65/3000/15W/80/DSPC/BZ	665 x 101 x 101 ± 1mm	3000	1775	15W	119	130°
103349 Casey 60IP65/4000/15W/80/DSPC/BZ	665 x 101 x 101 ± 1mm	4000	1850	15W	124	130°
103350 Casey 60IP65/5000/15W/80/DSPC/BZ	665 x 101 x 101 ± 1mm	5000	1900	15W	127	130°
103351 Casey 60IP65/6500/15W/80/DSPC/BZ	665 x 101 x 101 ± 1mm	6500	1850	15W	124	130°
103352 Casey 120IP65/3000/15W/80/DSPC/BZ	1282 x 101 x 101 ± 1mm	3000	2040	15W	136	130°
103353 Casey 120IP65/4000/15W/80/DSPC/BZ	1282 x 101 x 101 ± 1mm	4000	2125	15W	142	130°
103354 Casey 120IP65/5000/15W/80/DSPC/BZ	1282 x 101 x 101 ± 1mm	5000	2185	15W	146	130°
103355 Casey 120IP65/6500/15W/80/DSPC/BZ	1282 x 101 x 101 ± 1mm	6500	2125	15W	142	130°
103356 Casey 120IP65/3000/25W/80/DSPC/BZ	1282 x 101 x 101 ± 1mm	3000	3480	25W	140	130°
103357 Casey 120IP65/4000/25W/80/DSPC/BZ	1282 x 101 x 101 ± 1mm	4000	3625	25W	145	130°
103358 Casey 120IP65/5000/25W/80/DSPC/BZ	1282 x 101 x 101 ± 1mm	5000	3725	25W	149	130°
103359 Casey 120IP65/6500/25W/80/DSPC/BZ	1282 x 101 x 101 ± 1mm	6500	3625	25W	145	130°
103360 Casey 120IP65/3000/32W/80/DSPC/BZ	1282 x 101 x 101 ± 1mm	3000	4460	32W	140	130°
103361 Casey 120IP65/4000/32W/80/DSPC/BZ	1282 x 101 x 101 ± 1mm	4000	4650	32W	146	130°
103362 Casey 120IP65/5000/32W/80/DSPC/BZ	1282 x 101 x 101 ± 1mm	5000	4775	32W	150	130°
103363 Casey 120IP65/6500/32W/80/DSPC/BZ	1282 x 101 x 101 ± 1mm	6500	4650	32W	146	130°
103364 Casey 120IP65/3000/38W/80/DSPC/BZ	1282 x 101 x 101 ± 1mm	3000	5115	38W	135	130°
103365 Casey 120IP65/4000/38W/80/DSPC/BZ	1282 x 101 x 101 ± 1mm	4000	5335	38W	141	130°
103366 Casey 120IP65/5000/38W/80/DSPC/BZ	1282 x 101 x 101 ± 1mm	5000	5475	38W	145	130°
103367 Casey 120IP65/6500/38W/80/DSPC/BZ	1282 x 101 x 101 ± 1mm	6500	5335	38W	141	130°
103368 Casey 120IP65/3000/50W/80/DSPC/BZ	1282 x 101 x 101 ± 1mm	3000	6335	50W	127	130°
103369 Casey 120IP65/4000/50W/80/DSPC/BZ	1282 x 101 x 101 ± 1mm	4000	6605	50W	133	130°
103370 Casey 120IP65/5000/50W/80/DSPC/BZ	1282 x 101 x 101 ± 1mm	5000	6785	50W	136	130°
103371 Casey 120IP65/6500/50W/80/DSPC/BZ	1282 x 101 x 101 ± 1mm	6500	6605	50W	133	130°
103372 Casey 150IP65/3000/23W/80/DSPC/BZ	1578 x 101 x 101 ± 1mm	3000	3180	23W	139	130°
103373 Casey 150IP65/4000/23W/80/DSPC/BZ	1578 x 101 x 101 ± 1mm	4000	3315	23W	145	130°
103374 Casey 150IP65/5000/23W/80/DSPC/BZ	1578 x 101 x 101 ± 1mm	5000	3405	23W	149	130°
103375 Casey 150IP65/6500/23W/80/DSPC/BZ	1578 x 101 x 101 ± 1mm	6500	3315	23W	145	130°
103376 Casey 150IP65/3000/33W/80/DSPC/BZ	1578 x 101 x 101 ± 1mm	3000	4615	33W	140	130°
103377 Casey 150IP65/4000/33W/80/DSPC/BZ	1578 x 101 x 101 ± 1mm	4000	4810	33W	146	130°
103378 Casey 150IP65/5000/33W/80/DSPC/BZ	1578 x 101 x 101 ± 1mm	5000	4940	33W	150	130°
103379 Casey 150IP65/6500/33W/80/DSPC/BZ	1578 x 101 x 101 ± 1mm	6500	4810	33W	146	130°
103380 Casey 150IP65/3000/37W/80/DSPC/BZ	1578 x 101 x 101 ± 1mm	3000	5470	37W	148	130°
103381 Casey 150IP65/4000/37W/80/DSPC/BZ	1578 x 101 x 101 ± 1mm	4000	5705	37W	155	130°
103382 Casey 150IP65/5000/37W/80/DSPC/BZ	1578 x 101 x 101 ± 1mm	5000	5855	37W	159	130°
103383 Casey 150IP65/6500/37W/80/DSPC/BZ	1578 x 101 x 101 ± 1mm	6500	5705	37W	155	130°
103384 Casey 150IP65/3000/50W/80/DSPC/BZ	1578 x 101 x 101 ± 1mm	3000	6730	50W	135	130°
103385 Casey 150IP65/4000/50W/80/DSPC/BZ	1578 x 101 x 101 ± 1mm	4000	7010	50W	141	130°
103386 Casey 150IP65/5000/50W/80/DSPC/BZ	1578 x 101 x 101 ± 1mm	5000	7200	50W	144	130°
103387 Casey 150IP65/6500/50W/80/DSPC/BZ	1578 x 101 x 101 ± 1mm	6500	7010	50W	141	130°
103388 Casey 150IP65/3000/60W/80/DSPC/BZ	1578 x 101 x 101 ± 1mm	3000	7705	60W	129	130°
103389 Casey 150IP65/4000/60W/80/DSPC/BZ	1578 x 101 x 101 ± 1mm	4000	8030	60W	134	130°
103390 Casey 150IP65/5000/60W/80/DSPC/BZ	1578 x 101 x 101 ± 1mm	5000	8245	60W	138	130°
103391 Casey 150IP65/6500/60W/80/DSPC/BZ	1578 x 101 x 101 ± 1mm	6500	8030	60W	134	130°

Technical specifications can be modified without prior notice. All information is property of Greentek Lighting.  
The presentation picture is for information purposes only. Latest document update: November 6, 2017 5:53 PM. [www.greentek.eu](http://www.greentek.eu)