



Juniper R

RECESSED DOWNLIGHTS AND SPOTLIGHTS | TEC SERIES

Compact LED ceiling-recessed luminaire providing a symmetric, wide-beam light distribution. Provides high illuminance levels and better homogeneity on the working plane. Juniper R is suitable for general lighting purposes. Best for applications such as offices, showrooms, commercial areas, hospitals, hotels, airports. Housing available in signal white color, easy to complement any type of ceiling. Can be equipped with dimmer and emergency kit. Please see ECO and EM technical specifications.

Juniper R recessed luminaires come in several series, with various add-on and controls:

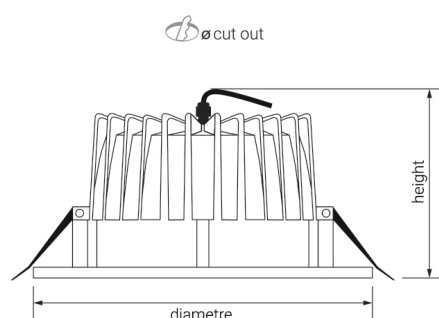
- Juniper R TEC – the standard for a large number of spaces – offices, showrooms, restaurants
- Juniper R TEC EM – with emergency lighting kit
- Juniper R ECO-DALI – with DALI controls for illumination adjustments
- Juniper R ECO-DALI EM - with both dimming and emergency kit

APPLICATION

Grocery & Supermarkets | Office | Healthcare | Hospitality | DIY

FEATURES & BENEFITS

- CRI \geq 80 standard
- IP40 when encased in closed ceilings
- Very long service life: 50,000 h at 90% luminous flux
- High efficiency of 125 lm/watt
- Lens angle of 75°
- Very low UGR starting with factor 17
- Comes in three diameters, suitable for any replacement of traditional lamps
- With emergency kits of 1 h and 3 h (for EM series only)
- Dimmable (for ECO-DALI Series)



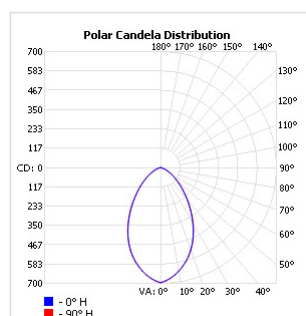
SPECIFICATIONS

Power consumption	9W, 17W	9W, 17W, 23W, 30W	9W, 17W, 23W, 30W, 40W
Dimensions	115x55xØ100±1mm	190x85xØ177±1mm	240x90xØ220±1mm
Weight	0.5Kg	1.0Kg	1.5Kg
Housing materials	Aluminium, Glass		
IK code	IK02		
THD (at 230V, 50Hz, Full load)	<15%		
Protection class	Safety class 1		
Operating temperature [°C]	-20 ... +45 °C / -4F ... +113F		
Operating humidity [%]	10 ÷ 85		
Power factor	≥0.95		
AC Input [Vac]	220 - 240 VAC		
Lens angle [°]	75°		
Lifespan [h]	50,000		
Housing color	○ RAL 9003 - signal white		
Lumen maintenance	L90/B10@50.000h at 25°C		
IP factor (front face)	IP40		
Control option	For more information please see JUNIPER R ECO-DALI datasheet		
Warranty [years]	5		
Storage temperature range [°C]	-20...+55C / -4F ... +131F		
Emergency option	For more information please see JUNIPER R TEC EM datasheet		

Light application	Standard
CRI	CRI 80
CCT [K]	3000K/4000K/5000K/6500K
MacAdam	4

CRI - Color rendering, CCT - Color temperature, MacAdam - Color consistency

LIGHT DISTRIBUTION



A75

RISK GROUP

RG1

The evaluation of photobiological safety is carried out according to the standard IEC 62471:2008 (“Photobiological safety of lamps and lamp systems”). Following the definition of the risk grouping system of the mentioned IEC standard, the LEDs mounted on this family fall into the class “Low Risk (RG1 – No photobiological hazard under normal behavioral limitations)”. Under real circumstances (regarding exposure time, pupils, observation distance), it is assumed that there is no endangerment to the eye from these devices. As a matter of principle, however, it should be mentioned that intense light sources have a high secondary exposure potential due to their blinding effect.

TOLERANCES

Luminous flux tolerances: -/+ 5%

Consumption tolerance: -/+ 5% for TEC | -/+ 10% for TEC & KIT EM | -/+ 10% for ECO-DALI | -/+ 15% for ECO-DALI & KIT EM

BATTERY WARRANTY

TEC EM & ECO EM: 12 months warranty

TEC & ECO: -

MAXIMUM NO. OF LUMINAIRES ON A CIRCUIT

Power	Driver type	Control type	Circuit Breaker Type						
			Amperage	B			C		
				20	16	10	20	16	10
< 50W		TEC		37	30	18	62	51	31
≥ 50W		TEC		37	30	18	62	51	31
< 80W		ECO		27	21	13	45	35	21

SKU SPECIFICATIONS

Product Code	Dimensions (mm)	CCT (K)	Lumens (lm)	Power (W)	Eff. (lm/watt)	Lens Angle (°)
CRI 80						
109000 JuniperR 100mm/3000/9W/80/A75	D115xH55xØ100mm±1mm	3000	900	9W	100	75°
109001 JuniperR 100mm/4000/9W/80/A75	D115xH55xØ100mm±1mm	4000	940	9W	105	75°
109002 JuniperR 100mm/5000/9W/80/A75	D115xH55xØ100mm±1mm	5000	965	9W	108	75°
109003 JuniperR 100mm/6500/9W/80/A75	D115xH55xØ100mm±1mm	6500	940	9W	105	75°
109004 JuniperR 177mm/3000/9W/80/A75	D190xH85xØ177mm±1mm	3000	935	9W	104	75°
109005 JuniperR 177mm/4000/9W/80/A75	D190xH85xØ177mm±1mm	4000	975	9W	109	75°
109006 JuniperR 177mm/5000/9W/80/A75	D190xH85xØ177mm±1mm	5000	1000	9W	112	75°
109007 JuniperR 177mm/6500/9W/80/A75	D190xH85xØ177mm±1mm	6500	975	9W	109	75°
109008 JuniperR 220mm/3000/9W/80/A75	D240xH90xØ220mm±1mm	3000	940	9W	105	75°
109009 JuniperR 220mm/4000/9W/80/A75	D240xH90xØ220mm±1mm	4000	980	9W	109	75°
109010 JuniperR 220mm/5000/9W/80/A75	D240xH90xØ220mm±1mm	5000	1005	9W	112	75°
109011 JuniperR 220mm/6500/9W/80/A75	D240xH90xØ220mm±1mm	6500	980	9W	109	75°
109012 JuniperR 100mm/3000/17W/80/A75	D115xH55xØ100mm±1mm	3000	1800	17W	106	75°
109013 JuniperR 100mm/4000/17W/80/A75	D115xH55xØ100mm±1mm	4000	1875	17W	111	75°
109014 JuniperR 100mm/5000/17W/80/A75	D115xH55xØ100mm±1mm	5000	1925	17W	114	75°
109015 JuniperR 100mm/6500/17W/80/A75	D115xH55xØ100mm±1mm	6500	1875	17W	111	75°
109016 JuniperR 177mm/3000/17W/80/A75	D190xH85xØ177mm±1mm	3000	1950	17W	115	75°
109017 JuniperR 177mm/4000/17W/80/A75	D190xH85xØ177mm±1mm	4000	2035	17W	120	75°
109018 JuniperR 177mm/5000/17W/80/A75	D190xH85xØ177mm±1mm	5000	2090	17W	123	75°
109019 JuniperR 177mm/6500/17W/80/A75	D190xH85xØ177mm±1mm	6500	2035	17W	120	75°
109020 JuniperR 220mm/3000/17W/80/A75	D240xH90xØ220mm±1mm	3000	1955	17W	115	75°
109021 JuniperR 220mm/4000/17W/80/A75	D240xH90xØ220mm±1mm	4000	2035	17W	120	75°
109022 JuniperR 220mm/5000/17W/80/A75	D240xH90xØ220mm±1mm	5000	2090	17W	123	75°
109023 JuniperR 220mm/6500/17W/80/A75	D240xH90xØ220mm±1mm	6500	2035	17W	120	75°
109024 JuniperR 177mm/3000/23W/80/A75	D190xH85xØ177mm±1mm	3000	2665	23W	116	75°
109025 JuniperR 177mm/4000/23W/80/A75	D190xH85xØ177mm±1mm	4000	2775	23W	121	75°
109026 JuniperR 177mm/5000/23W/80/A75	D190xH85xØ177mm±1mm	5000	2850	23W	124	75°
109027 JuniperR 177mm/6500/23W/80/A75	D190xH85xØ177mm±1mm	6500	2775	23W	121	75°
109028 JuniperR 220mm/3000/23W/80/A75	D240xH90xØ220mm±1mm	3000	2595	23W	113	75°
109029 JuniperR 220mm/4000/23W/80/A75	D240xH90xØ220mm±1mm	4000	2705	23W	118	75°
109030 JuniperR 220mm/5000/23W/80/A75	D240xH90xØ220mm±1mm	5000	2775	23W	121	75°
109031 JuniperR 220mm/6500/23W/80/A75	D240xH90xØ220mm±1mm	6500	2705	23W	118	75°
109032 JuniperR 177mm/3000/30W/80/A75	D190xH85xØ177mm±1mm	3000	3575	30W	120	75°
109033 JuniperR 177mm/4000/30W/80/A75	D190xH85xØ177mm±1mm	4000	3725	30W	125	75°
109034 JuniperR 177mm/5000/30W/80/A75	D190xH85xØ177mm±1mm	5000	3825	30W	128	75°
109035 JuniperR 177mm/6500/30W/80/A75	D190xH85xØ177mm±1mm	6500	3725	30W	125	75°
109036 JuniperR 220mm/3000/30W/80/A75	D240xH90xØ220mm±1mm	3000	3590	30W	120	75°
109037 JuniperR 220mm/4000/30W/80/A75	D240xH90xØ220mm±1mm	4000	3740	30W	125	75°
109038 JuniperR 220mm/5000/30W/80/A75	D240xH90xØ220mm±1mm	5000	3840	30W	128	75°
109039 JuniperR 220mm/6500/30W/80/A75	D240xH90xØ220mm±1mm	6500	3740	30W	125	75°
109040 JuniperR 220mm/3000/40W/80/A75	D240xH90xØ220mm±1mm	3000	4785	40W	120	75°
109041 JuniperR 220mm/4000/40W/80/A75	D240xH90xØ220mm±1mm	4000	4985	40W	125	75°
109042 JuniperR 220mm/5000/40W/80/A75	D240xH90xØ220mm±1mm	5000	5120	40W	128	75°
109043 JuniperR 220mm/6500/40W/80/A75	D240xH90xØ220mm±1mm	6500	4985	40W	125	75°

Technical specifications can be modified without prior notice. All information is property of Greentek Lighting.
 The presentation picture is for information purposes only. Latest document update: December 13, 2017 9:38 AM. www.greentek.eu