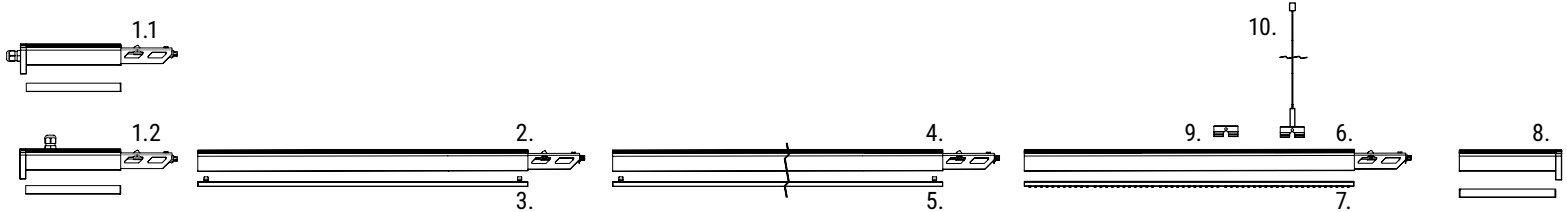


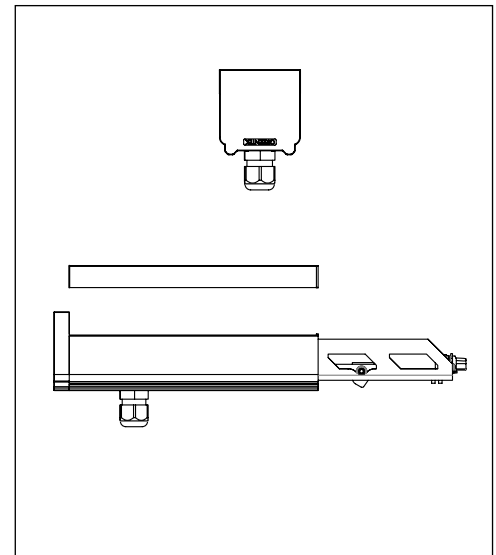
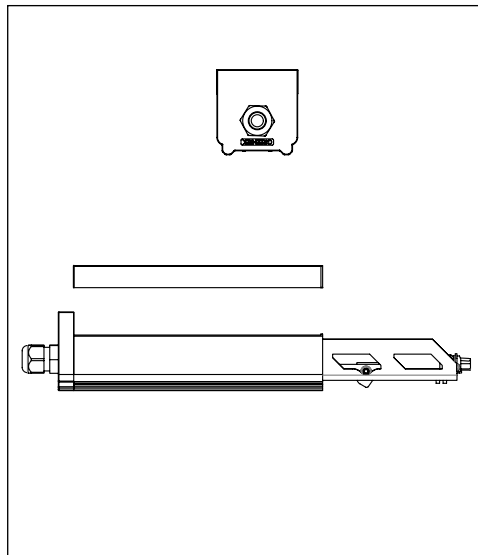
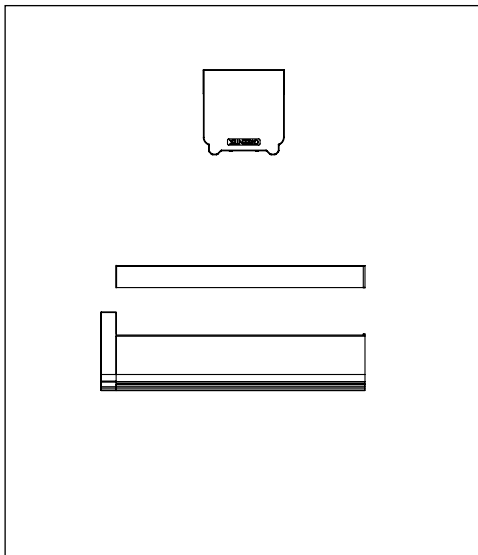
Lanka N

Trunking System



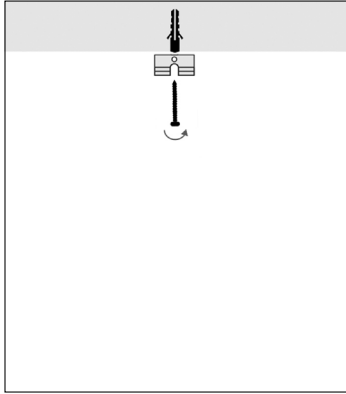
- 1.1 Power end cap (Product codes* : 17322 GT1/TK/PEC/S/5P, 17324 GT1/TK/PEC/S/7P)
- 1.2 Power end cap (Product codes* : 17321 GT1/TK/PEC/U/5P, 17323 GT1/TK/PEC/U/7P)
2. Upper profile 1500mm (Product codes* : 17301 UPL/IL/TK/1500/5P, 17302 UPL/IL/TK/1500/7P)
3. Blank lower profile (Product code* : 17337 GT1/TK/BLP/1500)
4. Upper profile 3000mm (Product codes* : 17303 UPL/IL/TK/3000/5P, 17304 UPL/IL/TK/3000/7P)
5. Blank lower profile (Product code* : 17338 GT1/TK/BLP/3000)
6. Upper profile (Product codes* : 17301 UPL/IL/TK/1500/5P, 17302 UPL/IL/TK/1500/7P)
7. Lanka lower profiles (Product codes* : 173000 ... 173299 , 273000 ... 273299)
8. End cap (Product code* : 17320 GT1/TK/DEC/0P)
9. Clamp (Product code* : 17329 GT1/TK/CM/0M)
10. Suspension kit (Product code* : 17330 GT1/TK/WM/3M, 17331 GT1/TK/WM/5M, 17332 GT1/TK/WM/7M, 17333 GT1/TK/WM/10M)

*for product specifications consult datasheet

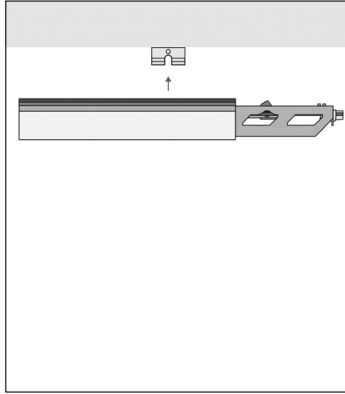


All lower blank profiles (including those from PEC and DEC) and luminaires must be dismantled from the upper profile (including PEC and DEC) before assembly and mounting process starts. All lower blank profiles (including those from PEC and DEC) and luminaires must be mounted on the upper profile after its assembly has finished.

Recessed Mounting

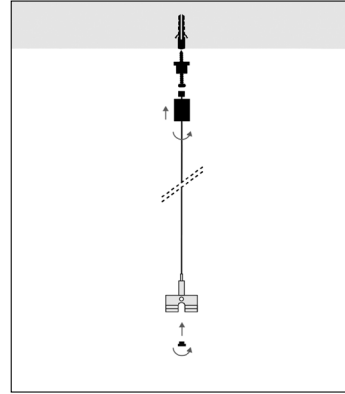


Fit the clamp on the ceiling.

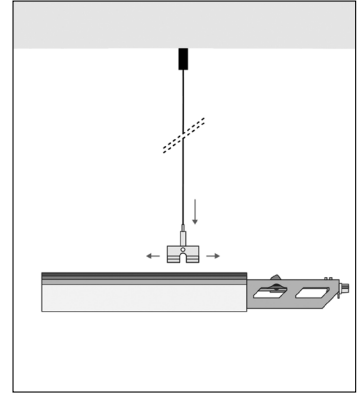


The mounting will be made by pushing the the superior profile into the clamp.

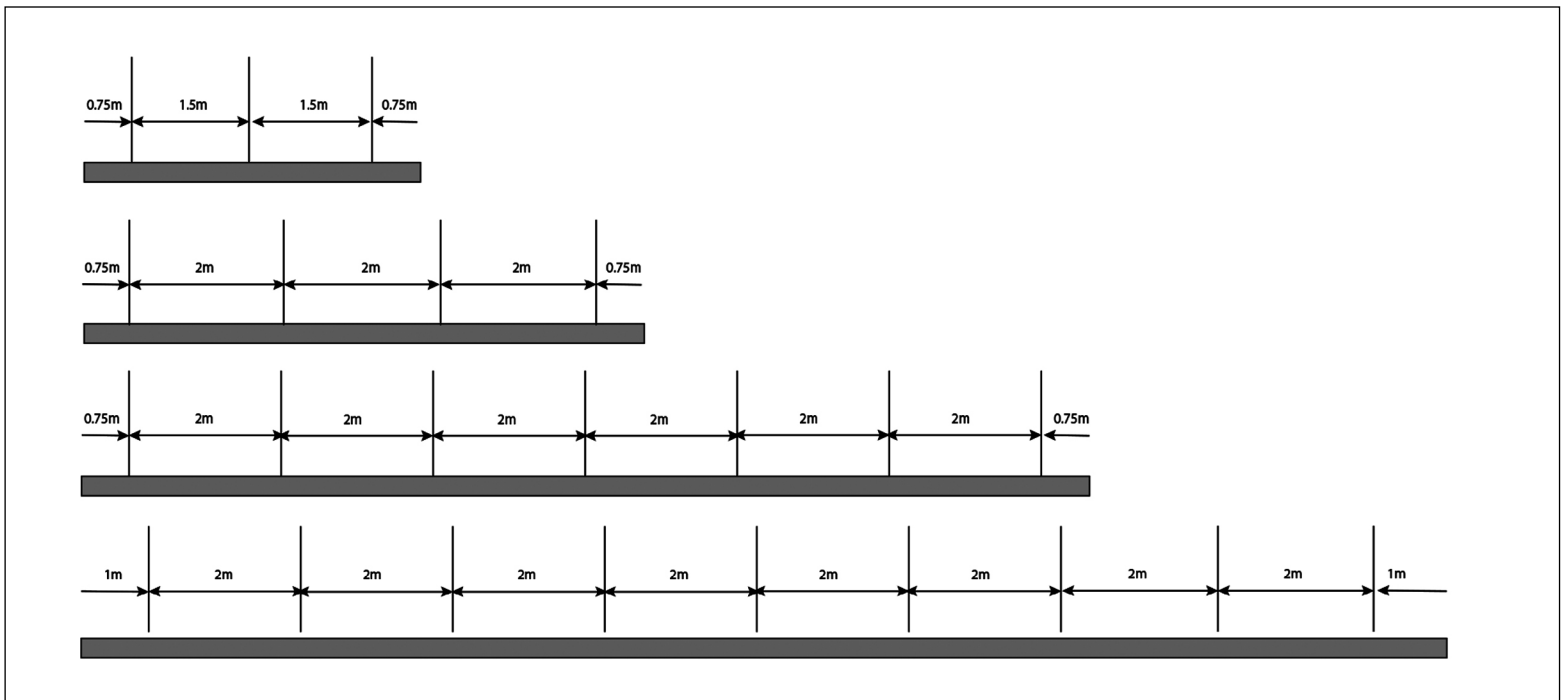
Suspended Mounting



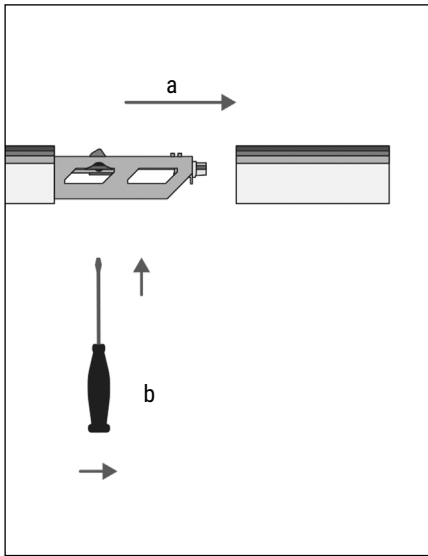
Fit the suspended kit on the ceiling and then the suspension clamp on wire.



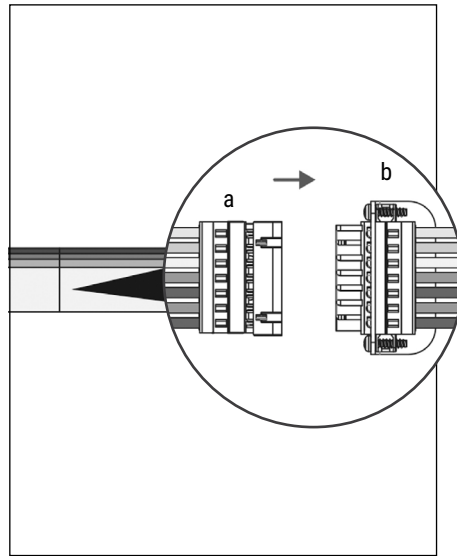
Fit the suspension clamp by snapping it on the superior profile. The suspension clamp can be slided for final positioning.



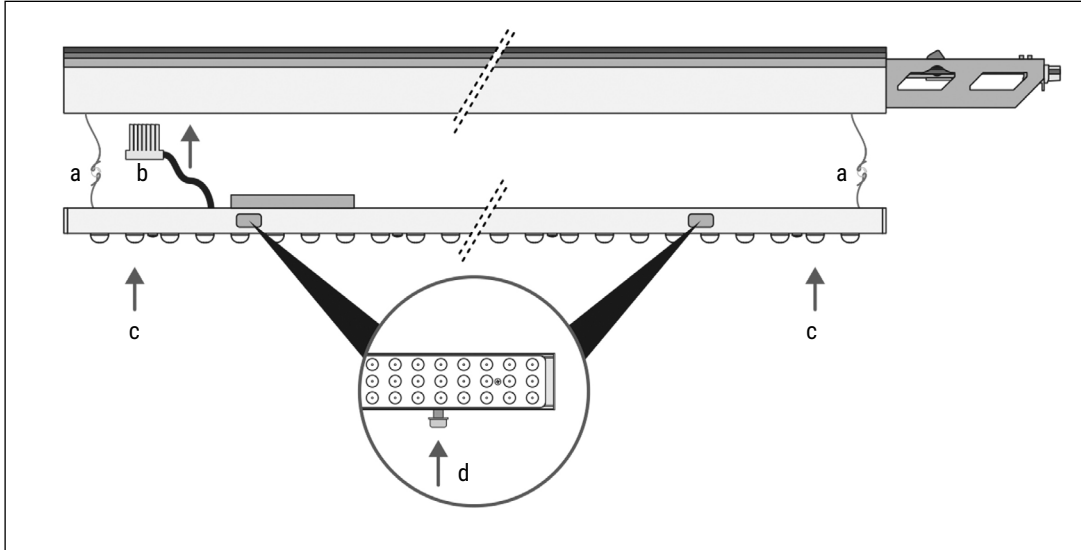
An example of luminaires rows with lengths of: 4.5m / 7.5m / 13.5m / 18m



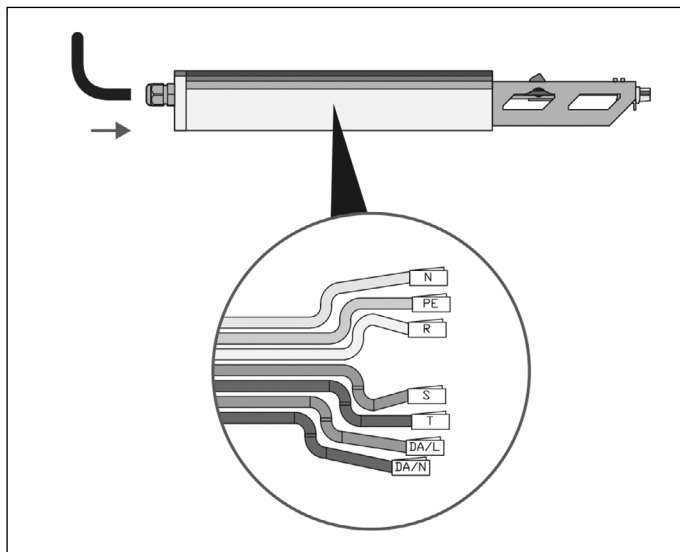
After the connection of the two elements has been realised as shown above (a), the safety element must be acted upon for ensuring a secure fixing of the ensemble (b).



The electrical connection between upper profiles consists of two connectors: loose connector (a) and fixed connector (b). Ensure that a firm connection is made.



Fasten the safety wires (a) from the inferior profile with the superior profile ones, insert the power plug (b) in the fixed connector on the superior profile (for ease of installation make sure that the cable attached to the power plug (b) has an „S” shape). Join the profiles together (c) (with the mechanical key (d) in the open position), then secure the profiles together using the mechanical key (d).

**Important notice**

Power supply connections from the grid will be done by observing the notations on each connector.