



Rigan

RECESSED DIRECTIONAL SPOTLIGHTS | ECO-DALI EM

Modern, angular, recessed spotlight for spaces that need precise, concentrated illumination or wall washing effects. Spotlight rotates through 355° and pivots through 65°. Optimized for directional beam in retail shops and commercial spaces, showrooms, art galleries. May be installed onto the wall. Can be equipped with a wide range of special temperature colors.

Rigan recessed spotlights come in several series, with various add-on and controls:

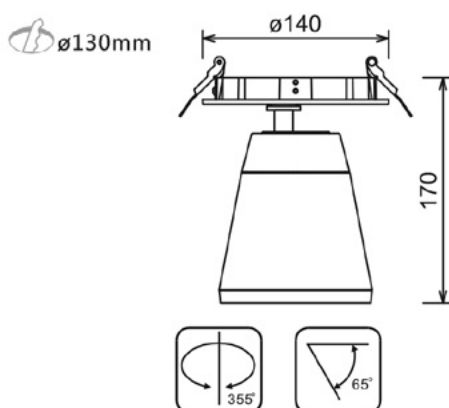
- Rigan TEC – the standard for any project in the retail sector
- Rigan ECO - DALI – with DALI controls for dimming
- Rigan EM – with emergency lighting kit
- Rigan ECO-EM – with both dimming and emergency kit

APPLICATION

Supermarket | Fashion | Retail | Hospitality | Exhibition | Arhitectural

FEATURES & BENEFITS

- CRI > 80 as standard, up to 98 for certain special color
- 15 color temperatures, including specialized options for food, fashion, art and AGI light
- Variety of optics – 4 angles from narrow beams to flood beams
- Luminaire efficiency: 117lm/W @4000K
- Equipped with emergency kit (1h / 3h)
- Dimmable



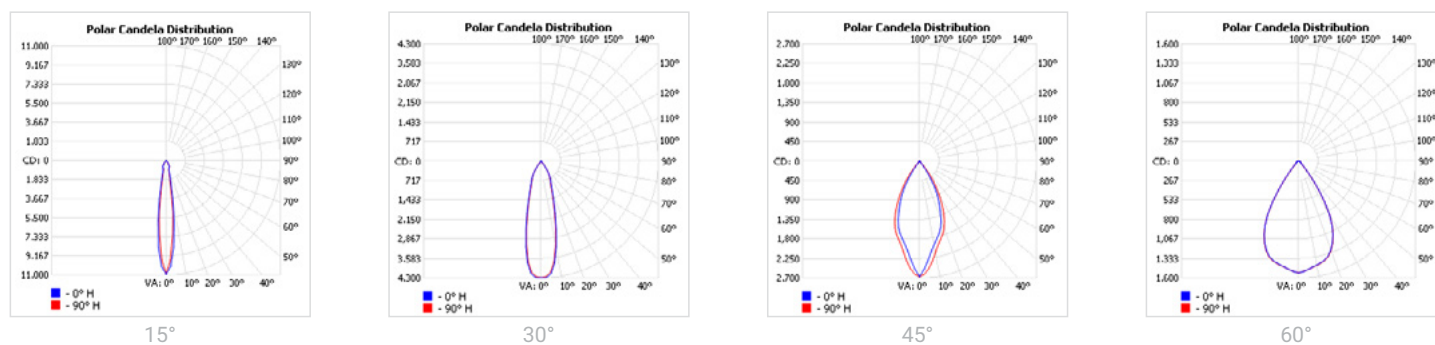
SPECIFICATIONS

Power consumption	12W, 14W, 17W, 20W, 23W, 27W
Dimensions	D115xH170xØ140mm±1mm (Cut out Ø130mm)
Weight	1.6 Kg (EM1H) - 1.9 Kg (EM3H)
Housing materials	Aluminium, Glass
IK code	IK02
THD (at 230V, 50Hz, Full load)	<20%
Protection class	Safety class 1
Operating temperature [°C]	-20 ... +45 °C / -4F ... +113F
Operating humidity [%]	10 ÷ 85
Power factor	≥0.95
AC Input [Vac]	220 - 240 VAC
Lens angle [°]	15°, 30°, 45°, 60°
Lifespan [h]	50,000
Housing color	○ RAL 9003 - Signal White, ● RAL 9005 - Jet Black, ● RAL 9006 - White Aluminium
Lumen maintenance	L90/B10@50,000h at 25°C
IP factor (general)	IP20
Control option	ECO-DALI
Warranty [years]	5
Storage temperature range [°C]	-20 ... +55
Emergency option	EM1H, EM3H

Light application	Standard	Enhanced	Food	Fashion	AGI	Art	
CRI	CRI 80	CRI95	CRI80	CRI95	CRI93	CRI98	
CCT [K]	2700K/3000K/3500K/4000K	2700K/3000K/3500K/4000K	BVF/FSM/FSH	FBS/FZM	FAS	AGI3000/3500/4000	ART2700/3000
MacAdam	3	2	3	4	3	3	2

CRI - Color rendering, CCT - Color temperature, MacAdam - Color consistency

LIGHT DISTRIBUTION



SKU SPECIFICATIONS

Product Code	Dimensions (mm)	CCT (K)	Lumens (lm)	Power (W)	Eff. (lm/watt)	Lens Angle (°)
CRI 80						
233088 Rigan R31012/2700/14W/80/A15/EM1H	D115xH170xØ140mm±1mm	2700	1485	14W	107	15°
233089 Rigan R31012/3000/14W/80/A15/EM1H	D115xH170xØ140mm±1mm	3000	1500	14W	108	15°
233090 Rigan R31012/3500/14W/80/A15/EM1H	D115xH170xØ140mm±1mm	3500	1540	14W	110	15°
233091 Rigan R31012/4000/14W/80/A15/EM1H	D115xH170xØ140mm±1mm	4000	1570	14W	113	15°
233093 Rigan R31012/2700/14W/80/A30/EM1H	D115xH170xØ140mm±1mm	2700	1485	14W	107	30°
233094 Rigan R31012/3000/14W/80/A30/EM1H	D115xH170xØ140mm±1mm	3000	1500	14W	108	30°
233095 Rigan R31012/3500/14W/80/A30/EM1H	D115xH170xØ140mm±1mm	3500	1540	14W	110	30°
233096 Rigan R31012/4000/14W/80/A30/EM1H	D115xH170xØ140mm±1mm	4000	1570	14W	113	30°
233098 Rigan R31012/2700/14W/80/A45/EM1H	D115xH170xØ140mm±1mm	2700	1485	14W	107	45°
233099 Rigan R31012/3000/14W/80/A45/EM1H	D115xH170xØ140mm±1mm	3000	1500	14W	108	45°
233100 Rigan R31012/3500/14W/80/A45/EM1H	D115xH170xØ140mm±1mm	3500	1540	14W	110	45°
233101 Rigan R31012/4000/14W/80/A45/EM1H	D115xH170xØ140mm±1mm	4000	1570	14W	113	45°
233103 Rigan R31012/2700/14W/80/A60/EM1H	D115xH170xØ140mm±1mm	2700	1485	14W	107	60°
233104 Rigan R31012/3000/14W/80/A60/EM1H	D115xH170xØ140mm±1mm	3000	1500	14W	108	60°
233105 Rigan R31012/3500/14W/80/A60/EM1H	D115xH170xØ140mm±1mm	3500	1540	14W	110	60°
233106 Rigan R31012/4000/14W/80/A60/EM1H	D115xH170xØ140mm±1mm	4000	1570	14W	113	60°
233108 Rigan R31012/2700/20W/80/A15/EM1H	D115xH170xØ140mm±1mm	2700	2080	20W	104	15°
233109 Rigan R31012/3000/20W/80/A15/EM1H	D115xH170xØ140mm±1mm	3000	2100	20W	105	15°
233110 Rigan R31012/3500/20W/80/A15/EM1H	D115xH170xØ140mm±1mm	3500	2160	20W	108	15°
233111 Rigan R31012/4000/20W/80/A15/EM1H	D115xH170xØ140mm±1mm	4000	2200	20W	110	15°
233113 Rigan R31012/2700/20W/80/A30/EM1H	D115xH170xØ140mm±1mm	2700	2080	20W	104	30°
233114 Rigan R31012/3000/20W/80/A30/EM1H	D115xH170xØ140mm±1mm	3000	2100	20W	105	30°
233115 Rigan R31012/3500/20W/80/A30/EM1H	D115xH170xØ140mm±1mm	3500	2160	20W	108	30°
233116 Rigan R31012/4000/20W/80/A30/EM1H	D115xH170xØ140mm±1mm	4000	2200	20W	110	30°
233118 Rigan R31012/2700/20W/80/A45/EM1H	D115xH170xØ140mm±1mm	2700	2080	20W	104	45°
233119 Rigan R31012/3000/20W/80/A45/EM1H	D115xH170xØ140mm±1mm	3000	2100	20W	105	45°
233120 Rigan R31012/3500/20W/80/A45/EM1H	D115xH170xØ140mm±1mm	3500	2160	20W	108	45°
233121 Rigan R31012/4000/20W/80/A45/EM1H	D115xH170xØ140mm±1mm	4000	2200	20W	110	45°
233123 Rigan R31012/2700/20W/80/A60/EM1H	D115xH170xØ140mm±1mm	2700	2080	20W	104	60°
233124 Rigan R31012/3000/20W/80/A60/EM1H	D115xH170xØ140mm±1mm	3000	2100	20W	105	60°
233125 Rigan R31012/3500/20W/80/A60/EM1H	D115xH170xØ140mm±1mm	3500	2160	20W	108	60°
233126 Rigan R31012/4000/20W/80/A60/EM1H	D115xH170xØ140mm±1mm	4000	2200	20W	110	60°
233128 Rigan R31012/2700/27W/80/A15/EM1H	D115xH170xØ140mm±1mm	2700	2945	27W	110	15°
233129 Rigan R31012/3000/27W/80/A15/EM1H	D115xH170xØ140mm±1mm	3000	2970	27W	110	15°
233130 Rigan R31012/3500/27W/80/A15/EM1H	D115xH170xØ140mm±1mm	3500	3055	27W	114	15°
233131 Rigan R31012/4000/27W/80/A15/EM1H	D115xH170xØ140mm±1mm	4000	3135	27W	117	15°
233133 Rigan R31012/2700/27W/80/A30/EM1H	D115xH170xØ140mm±1mm	2700	2945	27W	110	30°
233134 Rigan R31012/3000/27W/80/A30/EM1H	D115xH170xØ140mm±1mm	3000	2970	27W	110	30°
233135 Rigan R31012/3500/27W/80/A30/EM1H	D115xH170xØ140mm±1mm	3500	3055	27W	114	30°
233136 Rigan R31012/4000/27W/80/A30/EM1H	D115xH170xØ140mm±1mm	4000	3135	27W	117	30°
233138 Rigan R31012/2700/27W/80/A45/EM1H	D115xH170xØ140mm±1mm	2700	2945	27W	110	45°
233139 Rigan R31012/3000/27W/80/A45/EM1H	D115xH170xØ140mm±1mm	3000	2970	27W	110	45°
233140 Rigan R31012/3500/27W/80/A45/EM1H	D115xH170xØ140mm±1mm	3500	3055	27W	114	45°
233141 Rigan R31012/4000/27W/80/A45/EM1H	D115xH170xØ140mm±1mm	4000	3135	27W	117	45°
233143 Rigan R31012/2700/27W/80/A60/EM1H	D115xH170xØ140mm±1mm	2700	2945	27W	110	60°
233144 Rigan R31012/3000/27W/80/A60/EM1H	D115xH170xØ140mm±1mm	3000	2970	27W	110	60°
233145 Rigan R31012/3500/27W/80/A60/EM1H	D115xH170xØ140mm±1mm	3500	3055	27W	114	60°
233146 Rigan R31012/4000/27W/80/A60/EM1H	D115xH170xØ140mm±1mm	4000	3135	27W	117	60°
233380 Rigan R31012/BVF/27W/80/A15/EM1H	D115xH170xØ140mm±1mm	BVF	2065	27W	77	15°
233381 Rigan R31012/FBS/27W/80/A15/EM1H	D115xH170xØ140mm±1mm	FBS	1635	27W	61	15°

SKU SPECIFICATIONS

Product Code	Dimensions (mm)	CCT (K)	Lumens (lm)	Power (W)	Eff. (lm/watt)	Lens Angle (°)
CRI 80						
233382 Rigan R31012/FZM/27W/80/A15/EM1H	D115xH170xØ140mm±1mm	FZM	1530	27W	57	15°
233383 Rigan R31012/FSM/27W/80/A15/EM1H	D115xH170xØ140mm±1mm	FSM	1530	27W	57	15°
233384 Rigan R31012/FSH/27W/80/A15/EM1H	D115xH170xØ140mm±1mm	FSH	2250	27W	84	15°
233385 Rigan R31012/BVF/27W/80/A30/EM1H	D115xH170xØ140mm±1mm	BVF	2065	27W	77	30°
233386 Rigan R31012/FBS/27W/80/A30/EM1H	D115xH170xØ140mm±1mm	FBS	1635	27W	61	30°
233387 Rigan R31012/FZM/27W/80/A30/EM1H	D115xH170xØ140mm±1mm	FZM	1530	27W	57	30°
233388 Rigan R31012/FSM/27W/80/A30/EM1H	D115xH170xØ140mm±1mm	FSM	1530	27W	57	30°
233389 Rigan R31012/FSH/27W/80/A30/EM1H	D115xH170xØ140mm±1mm	FSH	2250	27W	84	30°
233390 Rigan R31012/BVF/27W/80/A45/EM1H	D115xH170xØ140mm±1mm	BVF	2065	27W	77	45°
233391 Rigan R31012/FBS/27W/80/A45/EM1H	D115xH170xØ140mm±1mm	FBS	1635	27W	61	45°
233160 Rigan R31012/FZM/27W/80/A45/EM1H	D115xH170xØ140mm±1mm	FZM	1530	27W	57	45°
233161 Rigan R31012/FSM/27W/80/A45/EM1H	D115xH170xØ140mm±1mm	FSM	1530	27W	57	45°
233162 Rigan R31012/FSH/27W/80/A45/EM1H	D115xH170xØ140mm±1mm	FSH	2250	27W	84	45°
233163 Rigan R31012/BVF/27W/80/A60/EM1H	D115xH170xØ140mm±1mm	BVF	2065	27W	77	60°
233164 Rigan R31012/FBS/27W/80/A60/EM1H	D115xH170xØ140mm±1mm	FBS	1635	27W	61	60°
233165 Rigan R31012/FZM/27W/80/A60/EM1H	D115xH170xØ140mm±1mm	FZM	1530	27W	57	60°
233166 Rigan R31012/FSM/27W/80/A60/EM1H	D115xH170xØ140mm±1mm	FSM	1530	27W	57	60°
233167 Rigan R31012/FSH/27W/80/A60/EM1H	D115xH170xØ140mm±1mm	FSH	2250	27W	84	60°
233180 Rigan R31012/2700/14W/80/A15/EM3H	D115xH170xØ140mm±1mm	2700	1485	14W	107	15°
233181 Rigan R31012/3000/14W/80/A15/EM3H	D115xH170xØ140mm±1mm	3000	1500	14W	108	15°
233182 Rigan R31012/3500/14W/80/A15/EM3H	D115xH170xØ140mm±1mm	3500	1540	14W	110	15°
233183 Rigan R31012/4000/14W/80/A15/EM3H	D115xH170xØ140mm±1mm	4000	1570	14W	113	15°
233185 Rigan R31012/2700/14W/80/A30/EM3H	D115xH170xØ140mm±1mm	2700	1485	14W	107	30°
233186 Rigan R31012/3000/14W/80/A30/EM3H	D115xH170xØ140mm±1mm	3000	1500	14W	108	30°
233187 Rigan R31012/3500/14W/80/A30/EM3H	D115xH170xØ140mm±1mm	3500	1540	14W	110	30°
233188 Rigan R31012/4000/14W/80/A30/EM3H	D115xH170xØ140mm±1mm	4000	1570	14W	113	30°
233190 Rigan R31012/2700/14W/80/A45/EM3H	D115xH170xØ140mm±1mm	2700	1485	14W	107	45°
233191 Rigan R31012/3000/14W/80/A45/EM3H	D115xH170xØ140mm±1mm	3000	1500	14W	108	45°
233192 Rigan R31012/3500/14W/80/A45/EM3H	D115xH170xØ140mm±1mm	3500	1540	14W	110	45°
233193 Rigan R31012/4000/14W/80/A45/EM3H	D115xH170xØ140mm±1mm	4000	1570	14W	113	45°
233195 Rigan R31012/2700/14W/80/A60/EM3H	D115xH170xØ140mm±1mm	2700	1485	14W	107	60°
233196 Rigan R31012/3000/14W/80/A60/EM3H	D115xH170xØ140mm±1mm	3000	1500	14W	108	60°
233197 Rigan R31012/3500/14W/80/A60/EM3H	D115xH170xØ140mm±1mm	3500	1540	14W	110	60°
233198 Rigan R31012/4000/14W/80/A60/EM3H	D115xH170xØ140mm±1mm	4000	1570	14W	113	60°
233200 Rigan R31012/2700/20W/80/A15/EM3H	D115xH170xØ140mm±1mm	2700	2080	20W	104	15°
233201 Rigan R31012/3000/20W/80/A15/EM3H	D115xH170xØ140mm±1mm	3000	2100	20W	105	15°
233202 Rigan R31012/3500/20W/80/A15/EM3H	D115xH170xØ140mm±1mm	3500	2160	20W	108	15°
233203 Rigan R31012/4000/20W/80/A15/EM3H	D115xH170xØ140mm±1mm	4000	2200	20W	110	15°
233205 Rigan R31012/2700/20W/80/A30/EM3H	D115xH170xØ140mm±1mm	2700	2080	20W	104	30°
233206 Rigan R31012/3000/20W/80/A30/EM3H	D115xH170xØ140mm±1mm	3000	2100	20W	105	30°
233207 Rigan R31012/3500/20W/80/A30/EM3H	D115xH170xØ140mm±1mm	3500	2160	20W	108	30°
233208 Rigan R31012/4000/20W/80/A30/EM3H	D115xH170xØ140mm±1mm	4000	2200	20W	110	30°
233210 Rigan R31012/2700/20W/80/A45/EM3H	D115xH170xØ140mm±1mm	2700	2080	20W	104	45°
233211 Rigan R31012/3000/20W/80/A45/EM3H	D115xH170xØ140mm±1mm	3000	2100	20W	105	45°
233212 Rigan R31012/3500/20W/80/A45/EM3H	D115xH170xØ140mm±1mm	3500	2160	20W	108	45°
233213 Rigan R31012/4000/20W/80/A45/EM3H	D115xH170xØ140mm±1mm	4000	2200	20W	110	45°
233215 Rigan R31012/2700/20W/80/A60/EM3H	D115xH170xØ140mm±1mm	2700	2080	20W	104	60°
233216 Rigan R31012/3000/20W/80/A60/EM3H	D115xH170xØ140mm±1mm	3000	2100	20W	105	60°
233217 Rigan R31012/3500/20W/80/A60/EM3H	D115xH170xØ140mm±1mm	3500	2160	20W	108	60°
233218 Rigan R31012/4000/20W/80/A60/EM3H	D115xH170xØ140mm±1mm	4000	2200	20W	110	60°

SKU SPECIFICATIONS

Product Code	Dimensions (mm)	CCT (K)	Lumens (lm)	Power (W)	Eff. (lm/watt)	Lens Angle (°)
CRI 80						
233220 Rigan R31012/2700/27W/80/A15/EM3H	D115xH170xØ140mm±1mm	2700	2945	27W	110	15°
233221 Rigan R31012/3000/27W/80/A15/EM3H	D115xH170xØ140mm±1mm	3000	2970	27W	110	15°
233222 Rigan R31012/3500/27W/80/A15/EM3H	D115xH170xØ140mm±1mm	3500	3055	27W	114	15°
233223 Rigan R31012/4000/27W/80/A15/EM3H	D115xH170xØ140mm±1mm	4000	3135	27W	117	15°
233225 Rigan R31012/2700/27W/80/A30/EM3H	D115xH170xØ140mm±1mm	2700	2945	27W	110	30°
233226 Rigan R31012/3000/27W/80/A30/EM3H	D115xH170xØ140mm±1mm	3000	2970	27W	110	30°
233227 Rigan R31012/3500/27W/80/A30/EM3H	D115xH170xØ140mm±1mm	3500	3055	27W	114	30°
233228 Rigan R31012/4000/27W/80/A30/EM3H	D115xH170xØ140mm±1mm	4000	3135	27W	117	30°
233230 Rigan R31012/2700/27W/80/A45/EM3H	D115xH170xØ140mm±1mm	2700	2945	27W	110	45°
233231 Rigan R31012/3000/27W/80/A45/EM3H	D115xH170xØ140mm±1mm	3000	2970	27W	110	45°
233232 Rigan R31012/3500/27W/80/A45/EM3H	D115xH170xØ140mm±1mm	3500	3055	27W	114	45°
233233 Rigan R31012/4000/27W/80/A45/EM3H	D115xH170xØ140mm±1mm	4000	3135	27W	117	45°
233235 Rigan R31012/2700/27W/80/A60/EM3H	D115xH170xØ140mm±1mm	2700	2945	27W	110	60°
233236 Rigan R31012/3000/27W/80/A60/EM3H	D115xH170xØ140mm±1mm	3000	2970	27W	110	60°
233237 Rigan R31012/3500/27W/80/A60/EM3H	D115xH170xØ140mm±1mm	3500	3055	27W	114	60°
233238 Rigan R31012/4000/27W/80/A60/EM3H	D115xH170xØ140mm±1mm	4000	3135	27W	117	60°
233240 Rigan R31012/BVF/27W/80/A15/EM3H	D115xH170xØ140mm±1mm	BVF	2065	27W	77	15°
233241 Rigan R31012/FBS/27W/80/A15/EM3H	D115xH170xØ140mm±1mm	FBS	1635	27W	61	15°
233242 Rigan R31012/FZM/27W/80/A15/EM3H	D115xH170xØ140mm±1mm	FZM	1530	27W	57	15°
233243 Rigan R31012/FSM/27W/80/A15/EM3H	D115xH170xØ140mm±1mm	FSM	1530	27W	57	15°
233244 Rigan R31012/FSH/27W/80/A15/EM3H	D115xH170xØ140mm±1mm	FSH	2250	27W	84	15°
233245 Rigan R31012/BVF/27W/80/A30/EM3H	D115xH170xØ140mm±1mm	BVF	2065	27W	77	30°
233246 Rigan R31012/FBS/27W/80/A30/EM3H	D115xH170xØ140mm±1mm	FBS	1635	27W	61	30°
233247 Rigan R31012/FZM/27W/80/A30/EM3H	D115xH170xØ140mm±1mm	FZM	1530	27W	57	30°
233248 Rigan R31012/FSM/27W/80/A30/EM3H	D115xH170xØ140mm±1mm	FSM	1530	27W	57	30°
233249 Rigan R31012/FSH/27W/80/A30/EM3H	D115xH170xØ140mm±1mm	FSH	2250	27W	84	30°
233250 Rigan R31012/BVF/27W/80/A45/EM3H	D115xH170xØ140mm±1mm	BVF	2065	27W	77	45°
233251 Rigan R31012/FBS/27W/80/A45/EM3H	D115xH170xØ140mm±1mm	FBS	1635	27W	61	45°
233252 Rigan R31012/FZM/27W/80/A45/EM3H	D115xH170xØ140mm±1mm	FZM	1530	27W	57	45°
233253 Rigan R31012/FSM/27W/80/A45/EM3H	D115xH170xØ140mm±1mm	FSM	1530	27W	57	45°
233254 Rigan R31012/FSH/27W/80/A45/EM3H	D115xH170xØ140mm±1mm	FSH	2250	27W	84	45°
233255 Rigan R31012/BVF/27W/80/A60/EM3H	D115xH170xØ140mm±1mm	BVF	2065	27W	77	60°
233256 Rigan R31012/FBS/27W/80/A60/EM3H	D115xH170xØ140mm±1mm	FBS	1635	27W	61	60°
233257 Rigan R31012/FZM/27W/80/A60/EM3H	D115xH170xØ140mm±1mm	FZM	1530	27W	57	60°
233258 Rigan R31012/FSM/27W/80/A60/EM3H	D115xH170xØ140mm±1mm	FSM	1530	27W	57	60°
233259 Rigan R31012/FSH/27W/80/A60/EM3H	D115xH170xØ140mm±1mm	FSH	2250	27W	84	60°

CRI 93						
233308 Rigan R31012/AGI3000/12W/93/A15/EM1H	D115xH170xØ140mm±1mm	AGI3000	735	12W	62	15°
233309 Rigan R31012/AGI3500/12W/93/A15/EM1H	D115xH170xØ140mm±1mm	AGI3500	780	12W	65	15°
233310 Rigan R31012/AGI4000/12W/93/A15/EM1H	D115xH170xØ140mm±1mm	AGI4000	830	12W	70	15°
233311 Rigan R31012/AGI3000/12W/93/A30/EM1H	D115xH170xØ140mm±1mm	AGI3000	735	12W	62	30°
233312 Rigan R31012/AGI3500/12W/93/A30/EM1H	D115xH170xØ140mm±1mm	AGI3500	780	12W	65	30°
233313 Rigan R31012/AGI4000/12W/93/A30/EM1H	D115xH170xØ140mm±1mm	AGI4000	830	12W	70	30°
233314 Rigan R31012/AGI3000/12W/93/A45/EM1H	D115xH170xØ140mm±1mm	AGI3000	735	12W	62	45°
233315 Rigan R31012/AGI3500/12W/93/A45/EM1H	D115xH170xØ140mm±1mm	AGI3500	780	12W	65	45°
233316 Rigan R31012/AGI4000/12W/93/A45/EM1H	D115xH170xØ140mm±1mm	AGI4000	830	12W	70	45°
233317 Rigan R31012/AGI3000/12W/93/A60/EM1H	D115xH170xØ140mm±1mm	AGI3000	735	12W	62	60°
233318 Rigan R31012/AGI3500/12W/93/A60/EM1H	D115xH170xØ140mm±1mm	AGI3500	780	12W	65	60°
233319 Rigan R31012/AGI4000/12W/93/A60/EM1H	D115xH170xØ140mm±1mm	AGI4000	830	12W	70	60°

SKU SPECIFICATIONS

Product Code	Dimensions (mm)	CCT (K)	Lumens (lm)	Power (W)	Eff. (lm/watt)	Lens Angle (°)
CRI 93						
233320 Rigan R31012/AGI3000/17W/93/A15/EM1H	D115xH170xØ140mm±1mm	AGI3000	985	17W	58	15°
233321 Rigan R31012/AGI3500/17W/93/A15/EM1H	D115xH170xØ140mm±1mm	AGI3500	1050	17W	62	15°
233322 Rigan R31012/AGI4000/17W/93/A15/EM1H	D115xH170xØ140mm±1mm	AGI4000	1115	17W	66	15°
233323 Rigan R31012/AGI3000/17W/93/A30/EM1H	D115xH170xØ140mm±1mm	AGI3000	985	17W	58	30°
233324 Rigan R31012/AGI3500/17W/93/A30/EM1H	D115xH170xØ140mm±1mm	AGI3500	1050	17W	62	30°
233325 Rigan R31012/AGI4000/17W/93/A30/EM1H	D115xH170xØ140mm±1mm	AGI4000	1115	17W	66	30°
233326 Rigan R31012/AGI3000/17W/93/A45/EM1H	D115xH170xØ140mm±1mm	AGI3000	985	17W	58	45°
233327 Rigan R31012/AGI3500/17W/93/A45/EM1H	D115xH170xØ140mm±1mm	AGI3500	1050	17W	62	45°
233328 Rigan R31012/AGI4000/17W/93/A45/EM1H	D115xH170xØ140mm±1mm	AGI4000	1115	17W	66	45°
233329 Rigan R31012/AGI3000/17W/93/A60/EM1H	D115xH170xØ140mm±1mm	AGI3000	985	17W	58	60°
233330 Rigan R31012/AGI3500/17W/93/A60/EM1H	D115xH170xØ140mm±1mm	AGI3500	1050	17W	62	60°
233331 Rigan R31012/AGI4000/17W/93/A60/EM1H	D115xH170xØ140mm±1mm	AGI4000	1115	17W	66	60°
233332 Rigan R31012/AGI3000/23W/93/A15/EM1H	D115xH170xØ140mm±1mm	AGI3000	1330	23W	58	15°
233333 Rigan R31012/AGI3500/23W/93/A15/EM1H	D115xH170xØ140mm±1mm	AGI3500	1440	23W	63	15°
233334 Rigan R31012/AGI4000/23W/93/A15/EM1H	D115xH170xØ140mm±1mm	AGI4000	1550	23W	68	15°
233335 Rigan R31012/AGI3000/23W/93/A30/EM1H	D115xH170xØ140mm±1mm	AGI3000	1330	23W	58	30°
233336 Rigan R31012/AGI3500/23W/93/A30/EM1H	D115xH170xØ140mm±1mm	AGI3500	1440	23W	63	30°
233337 Rigan R31012/AGI4000/23W/93/A30/EM1H	D115xH170xØ140mm±1mm	AGI4000	1550	23W	68	30°
233338 Rigan R31012/AGI3000/23W/93/A45/EM1H	D115xH170xØ140mm±1mm	AGI3000	1330	23W	58	45°
233339 Rigan R31012/AGI3500/23W/93/A45/EM1H	D115xH170xØ140mm±1mm	AGI3500	1440	23W	63	45°
233340 Rigan R31012/AGI4000/23W/93/A45/EM1H	D115xH170xØ140mm±1mm	AGI4000	1550	23W	68	45°
233341 Rigan R31012/AGI3000/23W/93/A60/EM1H	D115xH170xØ140mm±1mm	AGI3000	1330	23W	58	60°
233342 Rigan R31012/AGI3500/23W/93/A60/EM1H	D115xH170xØ140mm±1mm	AGI3500	1440	23W	63	60°
233343 Rigan R31012/AGI4000/23W/93/A60/EM1H	D115xH170xØ140mm±1mm	AGI4000	1550	23W	68	60°
233344 Rigan R31012/AGI3000/12W/93/A15/EM3H	D115xH170xØ140mm±1mm	AGI3000	735	12W	62	15°
233345 Rigan R31012/AGI3500/12W/93/A15/EM3H	D115xH170xØ140mm±1mm	AGI3500	780	12W	65	15°
233346 Rigan R31012/AGI4000/12W/93/A15/EM3H	D115xH170xØ140mm±1mm	AGI4000	830	12W	70	15°
233347 Rigan R31012/AGI3000/12W/93/A30/EM3H	D115xH170xØ140mm±1mm	AGI3000	735	12W	62	30°
233348 Rigan R31012/AGI3500/12W/93/A30/EM3H	D115xH170xØ140mm±1mm	AGI3500	780	12W	65	30°
233349 Rigan R31012/AGI4000/12W/93/A30/EM3H	D115xH170xØ140mm±1mm	AGI4000	830	12W	70	30°
233350 Rigan R31012/AGI3000/12W/93/A45/EM3H	D115xH170xØ140mm±1mm	AGI3000	735	12W	62	45°
233351 Rigan R31012/AGI3500/12W/93/A45/EM3H	D115xH170xØ140mm±1mm	AGI3500	780	12W	65	45°
233352 Rigan R31012/AGI4000/12W/93/A45/EM3H	D115xH170xØ140mm±1mm	AGI4000	830	12W	70	45°
233353 Rigan R31012/AGI3000/12W/93/A60/EM3H	D115xH170xØ140mm±1mm	AGI3000	735	12W	62	60°
233354 Rigan R31012/AGI3500/12W/93/A60/EM3H	D115xH170xØ140mm±1mm	AGI3500	780	12W	65	60°
233355 Rigan R31012/AGI4000/12W/93/A60/EM3H	D115xH170xØ140mm±1mm	AGI4000	830	12W	70	60°
233356 Rigan R31012/AGI3000/17W/93/A15/EM3H	D115xH170xØ140mm±1mm	AGI3000	985	17W	58	15°
233357 Rigan R31012/AGI3500/17W/93/A15/EM3H	D115xH170xØ140mm±1mm	AGI3500	1050	17W	62	15°
233358 Rigan R31012/AGI4000/17W/93/A15/EM3H	D115xH170xØ140mm±1mm	AGI4000	1115	17W	66	15°
233359 Rigan R31012/AGI3000/17W/93/A30/EM3H	D115xH170xØ140mm±1mm	AGI3000	985	17W	58	30°
233360 Rigan R31012/AGI3500/17W/93/A30/EM3H	D115xH170xØ140mm±1mm	AGI3500	1050	17W	62	30°
233361 Rigan R31012/AGI4000/17W/93/A30/EM3H	D115xH170xØ140mm±1mm	AGI4000	1115	17W	66	30°
233362 Rigan R31012/AGI3000/17W/93/A45/EM3H	D115xH170xØ140mm±1mm	AGI3000	985	17W	58	45°
233363 Rigan R31012/AGI3500/17W/93/A45/EM3H	D115xH170xØ140mm±1mm	AGI3500	1050	17W	62	45°
233364 Rigan R31012/AGI4000/17W/93/A45/EM3H	D115xH170xØ140mm±1mm	AGI4000	1115	17W	66	45°
233365 Rigan R31012/AGI3000/17W/93/A60/EM3H	D115xH170xØ140mm±1mm	AGI3000	985	17W	58	60°
233366 Rigan R31012/AGI3500/17W/93/A60/EM3H	D115xH170xØ140mm±1mm	AGI3500	1050	17W	62	60°
233367 Rigan R31012/AGI4000/17W/93/A60/EM3H	D115xH170xØ140mm±1mm	AGI4000	1115	17W	66	60°
233368 Rigan R31012/AGI3000/23W/93/A15/EM3H	D115xH170xØ140mm±1mm	AGI3000	1330	23W	58	15°
233369 Rigan R31012/AGI3500/23W/93/A15/EM3H	D115xH170xØ140mm±1mm	AGI3500	1440	23W	63	15°

SKU SPECIFICATIONS

Product Code	Dimensions (mm)	CCT (K)	Lumens (lm)	Power (W)	Eff. (lm/watt)	Lens Angle (°)
CRI 93						
233370 Rigan R31012/AGI4000/23W/93/A15/EM3H	D115xH170xØ140mm±1mm	AGI4000	1550	23W	68	15°
233371 Rigan R31012/AGI3000/23W/93/A30/EM3H	D115xH170xØ140mm±1mm	AGI3000	1330	23W	58	30°
233372 Rigan R31012/AGI3500/23W/93/A30/EM3H	D115xH170xØ140mm±1mm	AGI3500	1440	23W	63	30°
233373 Rigan R31012/AGI4000/23W/93/A30/EM3H	D115xH170xØ140mm±1mm	AGI4000	1550	23W	68	30°
233374 Rigan R31012/AGI3000/23W/93/A45/EM3H	D115xH170xØ140mm±1mm	AGI3000	1330	23W	58	45°
233375 Rigan R31012/AGI3500/23W/93/A45/EM3H	D115xH170xØ140mm±1mm	AGI3500	1440	23W	63	45°
233376 Rigan R31012/AGI4000/23W/93/A45/EM3H	D115xH170xØ140mm±1mm	AGI4000	1550	23W	68	45°
233377 Rigan R31012/AGI3000/23W/93/A60/EM3H	D115xH170xØ140mm±1mm	AGI3000	1330	23W	58	60°
233378 Rigan R31012/AGI3500/23W/93/A60/EM3H	D115xH170xØ140mm±1mm	AGI3500	1440	23W	63	60°
233379 Rigan R31012/AGI4000/23W/93/A60/EM3H	D115xH170xØ140mm±1mm	AGI4000	1550	23W	68	60°
CRI 95						
233168 Rigan R31012/FAS/27W/95/A15/EM1H	D115xH170xØ140mm±1mm	FAS	2080	27W	78	15°
233169 Rigan R31012/FAS/27W/95/A30/EM1H	D115xH170xØ140mm±1mm	FAS	2080	27W	78	30°
233170 Rigan R31012/FAS/27W/95/A45/EM1H	D115xH170xØ140mm±1mm	FAS	2080	27W	78	45°
233171 Rigan R31012/FAS/27W/95/A60/EM1H	D115xH170xØ140mm±1mm	FAS	2080	27W	78	60°
233260 Rigan R31012/FAS/27W/95/A15/EM3H	D115xH170xØ140mm±1mm	FAS	2080	27W	78	15°
233261 Rigan R31012/FAS/27W/95/A30/EM3H	D115xH170xØ140mm±1mm	FAS	2080	27W	78	30°
233262 Rigan R31012/FAS/27W/95/A45/EM3H	D115xH170xØ140mm±1mm	FAS	2080	27W	78	45°
233263 Rigan R31012/FAS/27W/95/A60/EM3H	D115xH170xØ140mm±1mm	FAS	2080	27W	78	60°
CRI 98						
233172 Rigan R31012/ART2700/27W/98/A15/EM1H	D115xH170xØ140mm±1mm	ART2700	1855	27W	69	15°
233173 Rigan R31012/ART2700/27W/98/A30/EM1H	D115xH170xØ140mm±1mm	ART2700	1855	27W	69	30°
233174 Rigan R31012/ART2700/27W/98/A45/EM1H	D115xH170xØ140mm±1mm	ART2700	1855	27W	69	45°
233175 Rigan R31012/ART2700/27W/98/A60/EM1H	D115xH170xØ140mm±1mm	ART2700	1855	27W	69	60°
233176 Rigan R31012/ART3000/27W/98/A15/EM1H	D115xH170xØ140mm±1mm	ART3000	1995	27W	74	15°
233177 Rigan R31012/ART3000/27W/98/A30/EM1H	D115xH170xØ140mm±1mm	ART3000	1995	27W	74	30°
233178 Rigan R31012/ART3000/27W/98/A45/EM1H	D115xH170xØ140mm±1mm	ART3000	1995	27W	74	45°
233179 Rigan R31012/ART3000/27W/98/A60/EM1H	D115xH170xØ140mm±1mm	ART3000	1995	27W	74	60°
233264 Rigan R31012/ART2700/27W/98/A15/EM3H	D115xH170xØ140mm±1mm	ART2700	1855	27W	69	15°
233265 Rigan R31012/ART2700/27W/98/A30/EM3H	D115xH170xØ140mm±1mm	ART2700	1855	27W	69	30°
233266 Rigan R31012/ART2700/27W/98/A45/EM3H	D115xH170xØ140mm±1mm	ART2700	1855	27W	69	45°
233267 Rigan R31012/ART2700/27W/98/A60/EM3H	D115xH170xØ140mm±1mm	ART2700	1855	27W	69	60°
233268 Rigan R31012/ART3000/27W/98/A15/EM3H	D115xH170xØ140mm±1mm	ART3000	1995	27W	74	15°
233269 Rigan R31012/ART3000/27W/98/A30/EM3H	D115xH170xØ140mm±1mm	ART3000	1995	27W	74	30°
233270 Rigan R31012/ART3000/27W/98/A45/EM3H	D115xH170xØ140mm±1mm	ART3000	1995	27W	74	45°
233271 Rigan R31012/ART3000/27W/98/A60/EM3H	D115xH170xØ140mm±1mm	ART3000	1995	27W	74	60°

Technical specifications can be modified without prior notice. All information is property of Greentek Lighting.

The presentation picture is for information purposes only. Latest document update: July 12, 2017 1:38 PM. www.greentek.eu