



Rigan

RECESSED DIRECTIONAL SPOTLIGHTS | EM SERIES

Modern, angular, recessed spotlight for spaces that need precise, concentrated illumination or wall washing effects. Spotlight rotates through 355° and pivots through 65°. Optimized for directional beam in retail shops and commercial spaces, showrooms, art galleries. May be installed onto the wall. Can be equipped with a wide range of special temperature colors.

Rigan recessed spotlights come in several series, with various add-on and controls:

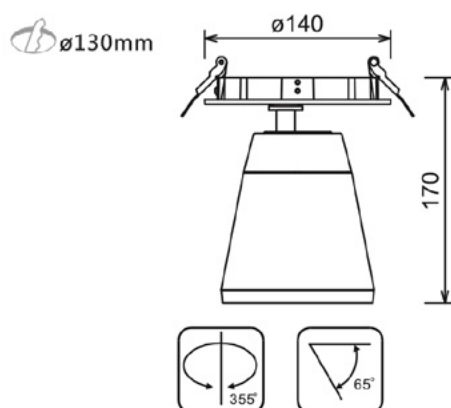
- Rigan TEC – the standard for any project in the retail sector
- Rigan ECO - DALI – with DALI controls for dimming
- Rigan EM – with emergency lighting kit
- Rigan ECO-EM – with both dimming and emergency kit

APPLICATION

Supermarket | Fashion | Retail | Hospitality | Exhibition | Arhitectural

FEATURES & BENEFITS

- CRI > 80 as standard, up to 98 for certain special color
- 15 color temperatures, including specialized options for food, fashion, art and AGI light
- Variety of optics – 4 angles from narrow beams to flood beams
- Luminaire efficiency: 117lm/W @4000K
- Equipped with emergency kit (1h / 3h)



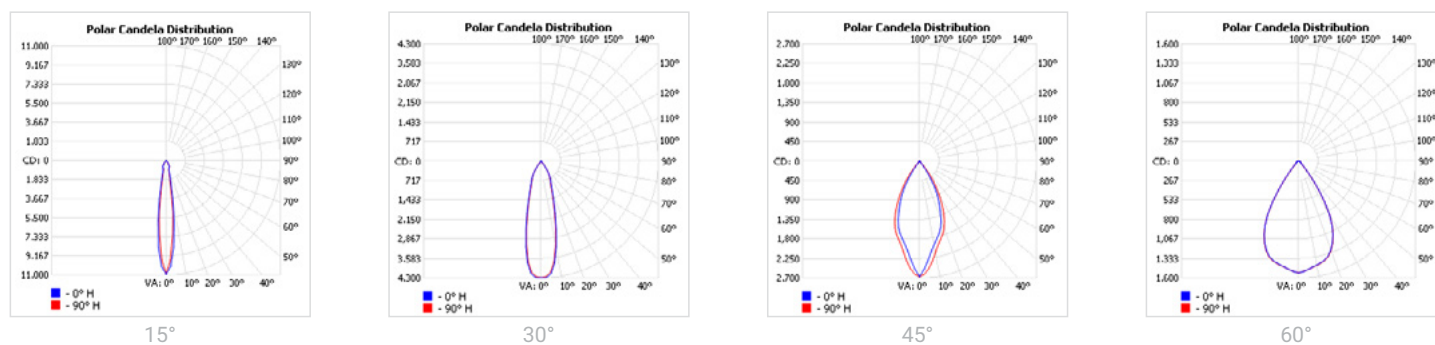
SPECIFICATIONS

Power consumption	12W, 14W, 17W, 20W, 23W, 27W
Dimensions	D115xH170xØ140mm±1mm (Cut out Ø130mm)
Weight	1.6 Kg (EM1H) - 1.9 Kg (EM3H)
Housing materials	Aluminium, Glass
IK code	IK02
THD (at 230V, 50Hz, Full load)	<20%
Protection class	Safety class 1
Operating temperature [°C]	-20 ... +45 °C / -4F ... +113F
Operating humidity [%]	10 ÷ 85
Power factor	≥0.95
AC Input [Vac]	220 - 240 VAC
Lens angle [°]	15°, 30°, 45°, 60°
Lifespan [h]	50,000
Housing color	○ RAL 9003 - Signal White, ● RAL 9005 - Jet Black, ● RAL 9006 - White Aluminium
Lumen maintenance	L90/B10@50,000h at 25°C
IP factor (general)	IP20
Control option	For more information please see RIGAN ECO-DALI EM datasheet
Warranty [years]	5
Storage temperature range [°C]	-20 ... +55
Emergency option	EM1H, EM3H

Light application	Standard	Enhanced	Food	Fashion	AGI	Art	
CRI	CRI 80	CRI95	CRI80	CRI95	CRI93	CRI98	
CCT [K]	2700K/3000K/3500K/4000K	2700K/3000K/3500K/4000K	BVF/FSM/FSH	FBS/FZM	FAS	AGI3000/3500/4000	ART2700/3000
MacAdam	3	2	3	4	3	3	2

CRI - Color rendering, CCT - Color temperature, MacAdam - Color consistency

LIGHT DISTRIBUTION



SKU SPECIFICATIONS

Product Code	Dimensions (mm)	CCT (K)	Lumens (lm)	Power (W)	Eff. (lm/watt)	Lens Angle (°)
CRI 80						
133088 Rigan R31012/2700/14W/80/A15/EM1H	D115xH170xØ140mm±1mm	2700	1485	14W	107	15°
133089 Rigan R31012/3000/14W/80/A15/EM1H	D115xH170xØ140mm±1mm	3000	1500	14W	108	15°
133090 Rigan R31012/3500/14W/80/A15/EM1H	D115xH170xØ140mm±1mm	3500	1540	14W	110	15°
133091 Rigan R31012/4000/14W/80/A15/EM1H	D115xH170xØ140mm±1mm	4000	1570	14W	113	15°
133093 Rigan R31012/2700/14W/80/A30/EM1H	D115xH170xØ140mm±1mm	2700	1485	14W	107	30°
133094 Rigan R31012/3000/14W/80/A30/EM1H	D115xH170xØ140mm±1mm	3000	1500	14W	108	30°
133095 Rigan R31012/3500/14W/80/A30/EM1H	D115xH170xØ140mm±1mm	3500	1540	14W	110	30°
133096 Rigan R31012/4000/14W/80/A30/EM1H	D115xH170xØ140mm±1mm	4000	1570	14W	113	30°
133098 Rigan R31012/2700/14W/80/A45/EM1H	D115xH170xØ140mm±1mm	2700	1485	14W	107	45°
133099 Rigan R31012/3000/14W/80/A45/EM1H	D115xH170xØ140mm±1mm	3000	1500	14W	108	45°
133100 Rigan R31012/3500/14W/80/A45/EM1H	D115xH170xØ140mm±1mm	3500	1540	14W	110	45°
133101 Rigan R31012/4000/14W/80/A45/EM1H	D115xH170xØ140mm±1mm	4000	1570	14W	113	45°
133103 Rigan R31012/2700/14W/80/A60/EM1H	D115xH170xØ140mm±1mm	2700	1485	14W	107	60°
133104 Rigan R31012/3000/14W/80/A60/EM1H	D115xH170xØ140mm±1mm	3000	1500	14W	108	60°
133105 Rigan R31012/3500/14W/80/A60/EM1H	D115xH170xØ140mm±1mm	3500	1540	14W	110	60°
133106 Rigan R31012/4000/14W/80/A60/EM1H	D115xH170xØ140mm±1mm	4000	1570	14W	113	60°
133108 Rigan R31012/2700/20W/80/A15/EM1H	D115xH170xØ140mm±1mm	2700	2080	20W	104	15°
133109 Rigan R31012/3000/20W/80/A15/EM1H	D115xH170xØ140mm±1mm	3000	2100	20W	105	15°
133110 Rigan R31012/3500/20W/80/A15/EM1H	D115xH170xØ140mm±1mm	3500	2160	20W	108	15°
133111 Rigan R31012/4000/20W/80/A15/EM1H	D115xH170xØ140mm±1mm	4000	2200	20W	110	15°
133113 Rigan R31012/2700/20W/80/A30/EM1H	D115xH170xØ140mm±1mm	2700	2080	20W	104	30°
133114 Rigan R31012/3000/20W/80/A30/EM1H	D115xH170xØ140mm±1mm	3000	2100	20W	105	30°
133115 Rigan R31012/3500/20W/80/A30/EM1H	D115xH170xØ140mm±1mm	3500	2160	20W	108	30°
133116 Rigan R31012/4000/20W/80/A30/EM1H	D115xH170xØ140mm±1mm	4000	2200	20W	110	30°
133118 Rigan R31012/2700/20W/80/A45/EM1H	D115xH170xØ140mm±1mm	2700	2080	20W	104	45°
133119 Rigan R31012/3000/20W/80/A45/EM1H	D115xH170xØ140mm±1mm	3000	2100	20W	105	45°
133120 Rigan R31012/3500/20W/80/A45/EM1H	D115xH170xØ140mm±1mm	3500	2160	20W	108	45°
133121 Rigan R31012/4000/20W/80/A45/EM1H	D115xH170xØ140mm±1mm	4000	2200	20W	110	45°
133123 Rigan R31012/2700/20W/80/A60/EM1H	D115xH170xØ140mm±1mm	2700	2080	20W	104	60°
133124 Rigan R31012/3000/20W/80/A60/EM1H	D115xH170xØ140mm±1mm	3000	2100	20W	105	60°
133125 Rigan R31012/3500/20W/80/A60/EM1H	D115xH170xØ140mm±1mm	3500	2160	20W	108	60°
133126 Rigan R31012/4000/20W/80/A60/EM1H	D115xH170xØ140mm±1mm	4000	2200	20W	110	60°
133128 Rigan R31012/2700/27W/80/A15/EM1H	D115xH170xØ140mm±1mm	2700	2945	27W	110	15°
133129 Rigan R31012/3000/27W/80/A15/EM1H	D115xH170xØ140mm±1mm	3000	2970	27W	110	15°
133130 Rigan R31012/3500/27W/80/A15/EM1H	D115xH170xØ140mm±1mm	3500	3055	27W	114	15°
133131 Rigan R31012/4000/27W/80/A15/EM1H	D115xH170xØ140mm±1mm	4000	3135	27W	117	15°
133133 Rigan R31012/2700/27W/80/A30/EM1H	D115xH170xØ140mm±1mm	2700	2945	27W	110	30°
133134 Rigan R31012/3000/27W/80/A30/EM1H	D115xH170xØ140mm±1mm	3000	2970	27W	110	30°
133135 Rigan R31012/3500/27W/80/A30/EM1H	D115xH170xØ140mm±1mm	3500	3055	27W	114	30°
133136 Rigan R31012/4000/27W/80/A30/EM1H	D115xH170xØ140mm±1mm	4000	3135	27W	117	30°
133138 Rigan R31012/2700/27W/80/A45/EM1H	D115xH170xØ140mm±1mm	2700	2945	27W	110	45°
133139 Rigan R31012/3000/27W/80/A45/EM1H	D115xH170xØ140mm±1mm	3000	2970	27W	110	45°
133140 Rigan R31012/3500/27W/80/A45/EM1H	D115xH170xØ140mm±1mm	3500	3055	27W	114	45°
133141 Rigan R31012/4000/27W/80/A45/EM1H	D115xH170xØ140mm±1mm	4000	3135	27W	117	45°
133143 Rigan R31012/2700/27W/80/A60/EM1H	D115xH170xØ140mm±1mm	2700	2945	27W	110	60°
133144 Rigan R31012/3000/27W/80/A60/EM1H	D115xH170xØ140mm±1mm	3000	2970	27W	110	60°
133145 Rigan R31012/3500/27W/80/A60/EM1H	D115xH170xØ140mm±1mm	3500	3055	27W	114	60°
133146 Rigan R31012/4000/27W/80/A60/EM1H	D115xH170xØ140mm±1mm	4000	3135	27W	117	60°
133380 Rigan R31012/BVF/27W/80/A15/EM1H	D115xH170xØ140mm±1mm	BVF	2065	27W	77	15°
133381 Rigan R31012/FBS/27W/80/A15/EM1H	D115xH170xØ140mm±1mm	FBS	1635	27W	61	15°

SKU SPECIFICATIONS

Product Code	Dimensions (mm)	CCT (K)	Lumens (lm)	Power (W)	Eff. (lm/watt)	Lens Angle (°)
CRI 80						
133382 Rigan R31012/FZM/27W/80/A15/EM1H	D115xH170xØ140mm±1mm	FZM	1530	27W	57	15°
133383 Rigan R31012/FSM/27W/80/A15/EM1H	D115xH170xØ140mm±1mm	FSM	1530	27W	57	15°
133384 Rigan R31012/FSH/27W/80/A15/EM1H	D115xH170xØ140mm±1mm	FSH	2250	27W	84	15°
133385 Rigan R31012/BVF/27W/80/A30/EM1H	D115xH170xØ140mm±1mm	BVF	2065	27W	77	30°
133386 Rigan R31012/FBS/27W/80/A30/EM1H	D115xH170xØ140mm±1mm	FBS	1635	27W	61	30°
133387 Rigan R31012/FZM/27W/80/A30/EM1H	D115xH170xØ140mm±1mm	FZM	1530	27W	57	30°
133388 Rigan R31012/FSM/27W/80/A30/EM1H	D115xH170xØ140mm±1mm	FSM	1530	27W	57	30°
133389 Rigan R31012/FSH/27W/80/A30/EM1H	D115xH170xØ140mm±1mm	FSH	2250	27W	84	30°
133390 Rigan R31012/BVF/27W/80/A45/EM1H	D115xH170xØ140mm±1mm	BVF	2065	27W	77	45°
133391 Rigan R31012/FBS/27W/80/A45/EM1H	D115xH170xØ140mm±1mm	FBS	1635	27W	61	45°
133160 Rigan R31012/FZM/27W/80/A45/EM1H	D115xH170xØ140mm±1mm	FZM	1530	27W	57	45°
133161 Rigan R31012/FSM/27W/80/A45/EM1H	D115xH170xØ140mm±1mm	FSM	1530	27W	57	45°
133162 Rigan R31012/FSH/27W/80/A45/EM1H	D115xH170xØ140mm±1mm	FSH	2250	27W	84	45°
133163 Rigan R31012/BVF/27W/80/A60/EM1H	D115xH170xØ140mm±1mm	BVF	2065	27W	77	60°
133164 Rigan R31012/FBS/27W/80/A60/EM1H	D115xH170xØ140mm±1mm	FBS	1635	27W	61	60°
133165 Rigan R31012/FZM/27W/80/A60/EM1H	D115xH170xØ140mm±1mm	FZM	1530	27W	57	60°
133166 Rigan R31012/FSM/27W/80/A60/EM1H	D115xH170xØ140mm±1mm	FSM	1530	27W	57	60°
133167 Rigan R31012/FSH/27W/80/A60/EM1H	D115xH170xØ140mm±1mm	FSH	2250	27W	84	60°
133180 Rigan R31012/2700/14W/80/A15/EM3H	D115xH170xØ140mm±1mm	2700	1485	14W	107	15°
133181 Rigan R31012/3000/14W/80/A15/EM3H	D115xH170xØ140mm±1mm	3000	1500	14W	108	15°
133182 Rigan R31012/3500/14W/80/A15/EM3H	D115xH170xØ140mm±1mm	3500	1540	14W	110	15°
133183 Rigan R31012/4000/14W/80/A15/EM3H	D115xH170xØ140mm±1mm	4000	1570	14W	113	15°
133185 Rigan R31012/2700/14W/80/A30/EM3H	D115xH170xØ140mm±1mm	2700	1485	14W	107	30°
133186 Rigan R31012/3000/14W/80/A30/EM3H	D115xH170xØ140mm±1mm	3000	1500	14W	108	30°
133187 Rigan R31012/3500/14W/80/A30/EM3H	D115xH170xØ140mm±1mm	3500	1540	14W	110	30°
133188 Rigan R31012/4000/14W/80/A30/EM3H	D115xH170xØ140mm±1mm	4000	1570	14W	113	30°
133190 Rigan R31012/2700/14W/80/A45/EM3H	D115xH170xØ140mm±1mm	2700	1485	14W	107	45°
133191 Rigan R31012/3000/14W/80/A45/EM3H	D115xH170xØ140mm±1mm	3000	1500	14W	108	45°
133192 Rigan R31012/3500/14W/80/A45/EM3H	D115xH170xØ140mm±1mm	3500	1540	14W	110	45°
133193 Rigan R31012/4000/14W/80/A45/EM3H	D115xH170xØ140mm±1mm	4000	1570	14W	113	45°
133195 Rigan R31012/2700/14W/80/A60/EM3H	D115xH170xØ140mm±1mm	2700	1485	14W	107	60°
133196 Rigan R31012/3000/14W/80/A60/EM3H	D115xH170xØ140mm±1mm	3000	1500	14W	108	60°
133197 Rigan R31012/3500/14W/80/A60/EM3H	D115xH170xØ140mm±1mm	3500	1540	14W	110	60°
133198 Rigan R31012/4000/14W/80/A60/EM3H	D115xH170xØ140mm±1mm	4000	1570	14W	113	60°
133200 Rigan R31012/2700/20W/80/A15/EM3H	D115xH170xØ140mm±1mm	2700	2080	20W	104	15°
133201 Rigan R31012/3000/20W/80/A15/EM3H	D115xH170xØ140mm±1mm	3000	2100	20W	105	15°
133202 Rigan R31012/3500/20W/80/A15/EM3H	D115xH170xØ140mm±1mm	3500	2160	20W	108	15°
133203 Rigan R31012/4000/20W/80/A15/EM3H	D115xH170xØ140mm±1mm	4000	2200	20W	110	15°
133205 Rigan R31012/2700/20W/80/A30/EM3H	D115xH170xØ140mm±1mm	2700	2080	20W	104	30°
133206 Rigan R31012/3000/20W/80/A30/EM3H	D115xH170xØ140mm±1mm	3000	2100	20W	105	30°
133207 Rigan R31012/3500/20W/80/A30/EM3H	D115xH170xØ140mm±1mm	3500	2160	20W	108	30°
133208 Rigan R31012/4000/20W/80/A30/EM3H	D115xH170xØ140mm±1mm	4000	2200	20W	110	30°
133210 Rigan R31012/2700/20W/80/A45/EM3H	D115xH170xØ140mm±1mm	2700	2080	20W	104	45°
133211 Rigan R31012/3000/20W/80/A45/EM3H	D115xH170xØ140mm±1mm	3000	2100	20W	105	45°
133212 Rigan R31012/3500/20W/80/A45/EM3H	D115xH170xØ140mm±1mm	3500	2160	20W	108	45°
133213 Rigan R31012/4000/20W/80/A45/EM3H	D115xH170xØ140mm±1mm	4000	2200	20W	110	45°
133215 Rigan R31012/2700/20W/80/A60/EM3H	D115xH170xØ140mm±1mm	2700	2080	20W	104	60°
133216 Rigan R31012/3000/20W/80/A60/EM3H	D115xH170xØ140mm±1mm	3000	2100	20W	105	60°
133217 Rigan R31012/3500/20W/80/A60/EM3H	D115xH170xØ140mm±1mm	3500	2160	20W	108	60°
133218 Rigan R31012/4000/20W/80/A60/EM3H	D115xH170xØ140mm±1mm	4000	2200	20W	110	60°

SKU SPECIFICATIONS

Product Code	Dimensions (mm)	CCT (K)	Lumens (lm)	Power (W)	Eff. (lm/watt)	Lens Angle (°)
CRI 80						
133220 Rigan R31012/2700/27W/80/A15/EM3H	D115xH170xØ140mm±1mm	2700	2945	27W	110	15°
133221 Rigan R31012/3000/27W/80/A15/EM3H	D115xH170xØ140mm±1mm	3000	2970	27W	110	15°
133222 Rigan R31012/3500/27W/80/A15/EM3H	D115xH170xØ140mm±1mm	3500	3055	27W	114	15°
133223 Rigan R31012/4000/27W/80/A15/EM3H	D115xH170xØ140mm±1mm	4000	3135	27W	117	15°
133225 Rigan R31012/2700/27W/80/A30/EM3H	D115xH170xØ140mm±1mm	2700	2945	27W	110	30°
133226 Rigan R31012/3000/27W/80/A30/EM3H	D115xH170xØ140mm±1mm	3000	2970	27W	110	30°
133227 Rigan R31012/3500/27W/80/A30/EM3H	D115xH170xØ140mm±1mm	3500	3055	27W	114	30°
133228 Rigan R31012/4000/27W/80/A30/EM3H	D115xH170xØ140mm±1mm	4000	3135	27W	117	30°
133230 Rigan R31012/2700/27W/80/A45/EM3H	D115xH170xØ140mm±1mm	2700	2945	27W	110	45°
133231 Rigan R31012/3000/27W/80/A45/EM3H	D115xH170xØ140mm±1mm	3000	2970	27W	110	45°
133232 Rigan R31012/3500/27W/80/A45/EM3H	D115xH170xØ140mm±1mm	3500	3055	27W	114	45°
133233 Rigan R31012/4000/27W/80/A45/EM3H	D115xH170xØ140mm±1mm	4000	3135	27W	117	45°
133235 Rigan R31012/2700/27W/80/A60/EM3H	D115xH170xØ140mm±1mm	2700	2945	27W	110	60°
133236 Rigan R31012/3000/27W/80/A60/EM3H	D115xH170xØ140mm±1mm	3000	2970	27W	110	60°
133237 Rigan R31012/3500/27W/80/A60/EM3H	D115xH170xØ140mm±1mm	3500	3055	27W	114	60°
133238 Rigan R31012/4000/27W/80/A60/EM3H	D115xH170xØ140mm±1mm	4000	3135	27W	117	60°
133240 Rigan R31012/BVF/27W/80/A15/EM3H	D115xH170xØ140mm±1mm	BVF	2065	27W	77	15°
133241 Rigan R31012/FBS/27W/80/A15/EM3H	D115xH170xØ140mm±1mm	FBS	1635	27W	61	15°
133242 Rigan R31012/FZM/27W/80/A15/EM3H	D115xH170xØ140mm±1mm	FZM	1530	27W	57	15°
133243 Rigan R31012/FSM/27W/80/A15/EM3H	D115xH170xØ140mm±1mm	FSM	1530	27W	57	15°
133244 Rigan R31012/FSH/27W/80/A15/EM3H	D115xH170xØ140mm±1mm	FSH	2250	27W	84	15°
133245 Rigan R31012/BVF/27W/80/A30/EM3H	D115xH170xØ140mm±1mm	BVF	2065	27W	77	30°
133246 Rigan R31012/FBS/27W/80/A30/EM3H	D115xH170xØ140mm±1mm	FBS	1635	27W	61	30°
133247 Rigan R31012/FZM/27W/80/A30/EM3H	D115xH170xØ140mm±1mm	FZM	1530	27W	57	30°
133248 Rigan R31012/FSM/27W/80/A30/EM3H	D115xH170xØ140mm±1mm	FSM	1530	27W	57	30°
133249 Rigan R31012/FSH/27W/80/A30/EM3H	D115xH170xØ140mm±1mm	FSH	2250	27W	84	30°
133250 Rigan R31012/BVF/27W/80/A45/EM3H	D115xH170xØ140mm±1mm	BVF	2065	27W	77	45°
133251 Rigan R31012/FBS/27W/80/A45/EM3H	D115xH170xØ140mm±1mm	FBS	1635	27W	61	45°
133252 Rigan R31012/FZM/27W/80/A45/EM3H	D115xH170xØ140mm±1mm	FZM	1530	27W	57	45°
133253 Rigan R31012/FSM/27W/80/A45/EM3H	D115xH170xØ140mm±1mm	FSM	1530	27W	57	45°
133254 Rigan R31012/FSH/27W/80/A45/EM3H	D115xH170xØ140mm±1mm	FSH	2250	27W	84	45°
133255 Rigan R31012/BVF/27W/80/A60/EM3H	D115xH170xØ140mm±1mm	BVF	2065	27W	77	60°
133256 Rigan R31012/FBS/27W/80/A60/EM3H	D115xH170xØ140mm±1mm	FBS	1635	27W	61	60°
133257 Rigan R31012/FZM/27W/80/A60/EM3H	D115xH170xØ140mm±1mm	FZM	1530	27W	57	60°
133258 Rigan R31012/FSM/27W/80/A60/EM3H	D115xH170xØ140mm±1mm	FSM	1530	27W	57	60°
133259 Rigan R31012/FSH/27W/80/A60/EM3H	D115xH170xØ140mm±1mm	FSH	2250	27W	84	60°

CRI 93						
133308 Rigan R31012/AGI3000/12W/93/A15/EM1H	D115xH170xØ140mm±1mm	AGI3000	735	12W	62	15°
133309 Rigan R31012/AGI3500/12W/93/A15/EM1H	D115xH170xØ140mm±1mm	AGI3500	780	12W	65	15°
133310 Rigan R31012/AGI4000/12W/93/A15/EM1H	D115xH170xØ140mm±1mm	AGI4000	830	12W	70	15°
133311 Rigan R31012/AGI3000/12W/93/A30/EM1H	D115xH170xØ140mm±1mm	AGI3000	735	12W	62	30°
133312 Rigan R31012/AGI3500/12W/93/A30/EM1H	D115xH170xØ140mm±1mm	AGI3500	780	12W	65	30°
133313 Rigan R31012/AGI4000/12W/93/A30/EM1H	D115xH170xØ140mm±1mm	AGI4000	830	12W	70	30°
133314 Rigan R31012/AGI3000/12W/93/A45/EM1H	D115xH170xØ140mm±1mm	AGI3000	735	12W	62	45°
133315 Rigan R31012/AGI3500/12W/93/A45/EM1H	D115xH170xØ140mm±1mm	AGI3500	780	12W	65	45°
133316 Rigan R31012/AGI4000/12W/93/A45/EM1H	D115xH170xØ140mm±1mm	AGI4000	830	12W	70	45°
133317 Rigan R31012/AGI3000/12W/93/A60/EM1H	D115xH170xØ140mm±1mm	AGI3000	735	12W	62	60°
133318 Rigan R31012/AGI3500/12W/93/A60/EM1H	D115xH170xØ140mm±1mm	AGI3500	780	12W	65	60°
133319 Rigan R31012/AGI4000/12W/93/A60/EM1H	D115xH170xØ140mm±1mm	AGI4000	830	12W	70	60°

SKU SPECIFICATIONS

Product Code	Dimensions (mm)	CCT (K)	Lumens (lm)	Power (W)	Eff. (lm/watt)	Lens Angle (°)
CRI 93						
133320 Rigan R31012/AGI3000/17W/93/A15/EM1H	D115xH170xØ140mm±1mm	AGI3000	985	17W	58	15°
133321 Rigan R31012/AGI3500/17W/93/A15/EM1H	D115xH170xØ140mm±1mm	AGI3500	1050	17W	62	15°
133322 Rigan R31012/AGI4000/17W/93/A15/EM1H	D115xH170xØ140mm±1mm	AGI4000	1115	17W	66	15°
133323 Rigan R31012/AGI3000/17W/93/A30/EM1H	D115xH170xØ140mm±1mm	AGI3000	985	17W	58	30°
133324 Rigan R31012/AGI3500/17W/93/A30/EM1H	D115xH170xØ140mm±1mm	AGI3500	1050	17W	62	30°
133325 Rigan R31012/AGI4000/17W/93/A30/EM1H	D115xH170xØ140mm±1mm	AGI4000	1115	17W	66	30°
133326 Rigan R31012/AGI3000/17W/93/A45/EM1H	D115xH170xØ140mm±1mm	AGI3000	985	17W	58	45°
133327 Rigan R31012/AGI3500/17W/93/A45/EM1H	D115xH170xØ140mm±1mm	AGI3500	1050	17W	62	45°
133328 Rigan R31012/AGI4000/17W/93/A45/EM1H	D115xH170xØ140mm±1mm	AGI4000	1115	17W	66	45°
133329 Rigan R31012/AGI3000/17W/93/A60/EM1H	D115xH170xØ140mm±1mm	AGI3000	985	17W	58	60°
133330 Rigan R31012/AGI3500/17W/93/A60/EM1H	D115xH170xØ140mm±1mm	AGI3500	1050	17W	62	60°
133331 Rigan R31012/AGI4000/17W/93/A60/EM1H	D115xH170xØ140mm±1mm	AGI4000	1115	17W	66	60°
133332 Rigan R31012/AGI3000/23W/93/A15/EM1H	D115xH170xØ140mm±1mm	AGI3000	1330	23W	58	15°
133333 Rigan R31012/AGI3500/23W/93/A15/EM1H	D115xH170xØ140mm±1mm	AGI3500	1440	23W	63	15°
133334 Rigan R31012/AGI4000/23W/93/A15/EM1H	D115xH170xØ140mm±1mm	AGI4000	1550	23W	68	15°
133335 Rigan R31012/AGI3000/23W/93/A30/EM1H	D115xH170xØ140mm±1mm	AGI3000	1330	23W	58	30°
133336 Rigan R31012/AGI3500/23W/93/A30/EM1H	D115xH170xØ140mm±1mm	AGI3500	1440	23W	63	30°
133337 Rigan R31012/AGI4000/23W/93/A30/EM1H	D115xH170xØ140mm±1mm	AGI4000	1550	23W	68	30°
133338 Rigan R31012/AGI3000/23W/93/A45/EM1H	D115xH170xØ140mm±1mm	AGI3000	1330	23W	58	45°
133339 Rigan R31012/AGI3500/23W/93/A45/EM1H	D115xH170xØ140mm±1mm	AGI3500	1440	23W	63	45°
133340 Rigan R31012/AGI4000/23W/93/A45/EM1H	D115xH170xØ140mm±1mm	AGI4000	1550	23W	68	45°
133341 Rigan R31012/AGI3000/23W/93/A60/EM1H	D115xH170xØ140mm±1mm	AGI3000	1330	23W	58	60°
133342 Rigan R31012/AGI3500/23W/93/A60/EM1H	D115xH170xØ140mm±1mm	AGI3500	1440	23W	63	60°
133343 Rigan R31012/AGI4000/23W/93/A60/EM1H	D115xH170xØ140mm±1mm	AGI4000	1550	23W	68	60°
133344 Rigan R31012/AGI3000/12W/93/A15/EM3H	D115xH170xØ140mm±1mm	AGI3000	735	12W	62	15°
133345 Rigan R31012/AGI3500/12W/93/A15/EM3H	D115xH170xØ140mm±1mm	AGI3500	780	12W	65	15°
133346 Rigan R31012/AGI4000/12W/93/A15/EM3H	D115xH170xØ140mm±1mm	AGI4000	830	12W	70	15°
133347 Rigan R31012/AGI3000/12W/93/A30/EM3H	D115xH170xØ140mm±1mm	AGI3000	735	12W	62	30°
133348 Rigan R31012/AGI3500/12W/93/A30/EM3H	D115xH170xØ140mm±1mm	AGI3500	780	12W	65	30°
133349 Rigan R31012/AGI4000/12W/93/A30/EM3H	D115xH170xØ140mm±1mm	AGI4000	830	12W	70	30°
133350 Rigan R31012/AGI3000/12W/93/A45/EM3H	D115xH170xØ140mm±1mm	AGI3000	735	12W	62	45°
133351 Rigan R31012/AGI3500/12W/93/A45/EM3H	D115xH170xØ140mm±1mm	AGI3500	780	12W	65	45°
133352 Rigan R31012/AGI4000/12W/93/A45/EM3H	D115xH170xØ140mm±1mm	AGI4000	830	12W	70	45°
133353 Rigan R31012/AGI3000/12W/93/A60/EM3H	D115xH170xØ140mm±1mm	AGI3000	735	12W	62	60°
133354 Rigan R31012/AGI3500/12W/93/A60/EM3H	D115xH170xØ140mm±1mm	AGI3500	780	12W	65	60°
133355 Rigan R31012/AGI4000/12W/93/A60/EM3H	D115xH170xØ140mm±1mm	AGI4000	830	12W	70	60°
133356 Rigan R31012/AGI3000/17W/93/A15/EM3H	D115xH170xØ140mm±1mm	AGI3000	985	17W	58	15°
133357 Rigan R31012/AGI3500/17W/93/A15/EM3H	D115xH170xØ140mm±1mm	AGI3500	1050	17W	62	15°
133358 Rigan R31012/AGI4000/17W/93/A15/EM3H	D115xH170xØ140mm±1mm	AGI4000	1115	17W	66	15°
133359 Rigan R31012/AGI3000/17W/93/A30/EM3H	D115xH170xØ140mm±1mm	AGI3000	985	17W	58	30°
133360 Rigan R31012/AGI3500/17W/93/A30/EM3H	D115xH170xØ140mm±1mm	AGI3500	1050	17W	62	30°
133361 Rigan R31012/AGI4000/17W/93/A30/EM3H	D115xH170xØ140mm±1mm	AGI4000	1115	17W	66	30°
133362 Rigan R31012/AGI3000/17W/93/A45/EM3H	D115xH170xØ140mm±1mm	AGI3000	985	17W	58	45°
133363 Rigan R31012/AGI3500/17W/93/A45/EM3H	D115xH170xØ140mm±1mm	AGI3500	1050	17W	62	45°
133364 Rigan R31012/AGI4000/17W/93/A45/EM3H	D115xH170xØ140mm±1mm	AGI4000	1115	17W	66	45°
133365 Rigan R31012/AGI3000/17W/93/A60/EM3H	D115xH170xØ140mm±1mm	AGI3000	985	17W	58	60°
133366 Rigan R31012/AGI3500/17W/93/A60/EM3H	D115xH170xØ140mm±1mm	AGI3500	1050	17W	62	60°
133367 Rigan R31012/AGI4000/17W/93/A60/EM3H	D115xH170xØ140mm±1mm	AGI4000	1115	17W	66	60°
133368 Rigan R31012/AGI3000/23W/93/A15/EM3H	D115xH170xØ140mm±1mm	AGI3000	1330	23W	58	15°
133369 Rigan R31012/AGI3500/23W/93/A15/EM3H	D115xH170xØ140mm±1mm	AGI3500	1440	23W	63	15°

SKU SPECIFICATIONS

Product Code	Dimensions (mm)	CCT (K)	Lumens (lm)	Power (W)	Eff. (lm/watt)	Lens Angle (°)
CRI 93						
133370 Rigan R31012/AGI4000/23W/93/A15/EM3H	D115xH170xØ140mm±1mm	AGI4000	1550	23W	68	15°
133371 Rigan R31012/AGI3000/23W/93/A30/EM3H	D115xH170xØ140mm±1mm	AGI3000	1330	23W	58	30°
133372 Rigan R31012/AGI3500/23W/93/A30/EM3H	D115xH170xØ140mm±1mm	AGI3500	1440	23W	63	30°
133373 Rigan R31012/AGI4000/23W/93/A30/EM3H	D115xH170xØ140mm±1mm	AGI4000	1550	23W	68	30°
133374 Rigan R31012/AGI3000/23W/93/A45/EM3H	D115xH170xØ140mm±1mm	AGI3000	1330	23W	58	45°
133375 Rigan R31012/AGI3500/23W/93/A45/EM3H	D115xH170xØ140mm±1mm	AGI3500	1440	23W	63	45°
133376 Rigan R31012/AGI4000/23W/93/A45/EM3H	D115xH170xØ140mm±1mm	AGI4000	1550	23W	68	45°
133377 Rigan R31012/AGI3000/23W/93/A60/EM3H	D115xH170xØ140mm±1mm	AGI3000	1330	23W	58	60°
133378 Rigan R31012/AGI3500/23W/93/A60/EM3H	D115xH170xØ140mm±1mm	AGI3500	1440	23W	63	60°
133379 Rigan R31012/AGI4000/23W/93/A60/EM3H	D115xH170xØ140mm±1mm	AGI4000	1550	23W	68	60°
CRI 95						
133168 Rigan R31012/FAS/27W/95/A15/EM1H	D115xH170xØ140mm±1mm	FAS	2080	27W	78	15°
133169 Rigan R31012/FAS/27W/95/A30/EM1H	D115xH170xØ140mm±1mm	FAS	2080	27W	78	30°
133170 Rigan R31012/FAS/27W/95/A45/EM1H	D115xH170xØ140mm±1mm	FAS	2080	27W	78	45°
133171 Rigan R31012/FAS/27W/95/A60/EM1H	D115xH170xØ140mm±1mm	FAS	2080	27W	78	60°
133260 Rigan R31012/FAS/27W/95/A15/EM3H	D115xH170xØ140mm±1mm	FAS	2080	27W	78	15°
133261 Rigan R31012/FAS/27W/95/A30/EM3H	D115xH170xØ140mm±1mm	FAS	2080	27W	78	30°
133262 Rigan R31012/FAS/27W/95/A45/EM3H	D115xH170xØ140mm±1mm	FAS	2080	27W	78	45°
133263 Rigan R31012/FAS/27W/95/A60/EM3H	D115xH170xØ140mm±1mm	FAS	2080	27W	78	60°
CRI 98						
133172 Rigan R31012/ART2700/27W/98/A15/EM1H	D115xH170xØ140mm±1mm	ART2700	1855	27W	69	15°
133173 Rigan R31012/ART2700/27W/98/A30/EM1H	D115xH170xØ140mm±1mm	ART2700	1855	27W	69	30°
133174 Rigan R31012/ART2700/27W/98/A45/EM1H	D115xH170xØ140mm±1mm	ART2700	1855	27W	69	45°
133175 Rigan R31012/ART2700/27W/98/A60/EM1H	D115xH170xØ140mm±1mm	ART2700	1855	27W	69	60°
133176 Rigan R31012/ART3000/27W/98/A15/EM1H	D115xH170xØ140mm±1mm	ART3000	1995	27W	74	15°
133177 Rigan R31012/ART3000/27W/98/A30/EM1H	D115xH170xØ140mm±1mm	ART3000	1995	27W	74	30°
133178 Rigan R31012/ART3000/27W/98/A45/EM1H	D115xH170xØ140mm±1mm	ART3000	1995	27W	74	45°
133179 Rigan R31012/ART3000/27W/98/A60/EM1H	D115xH170xØ140mm±1mm	ART3000	1995	27W	74	60°
133264 Rigan R31012/ART2700/27W/98/A15/EM3H	D115xH170xØ140mm±1mm	ART2700	1855	27W	69	15°
133265 Rigan R31012/ART2700/27W/98/A30/EM3H	D115xH170xØ140mm±1mm	ART2700	1855	27W	69	30°
133266 Rigan R31012/ART2700/27W/98/A45/EM3H	D115xH170xØ140mm±1mm	ART2700	1855	27W	69	45°
133267 Rigan R31012/ART2700/27W/98/A60/EM3H	D115xH170xØ140mm±1mm	ART2700	1855	27W	69	60°
133268 Rigan R31012/ART3000/27W/98/A15/EM3H	D115xH170xØ140mm±1mm	ART3000	1995	27W	74	15°
133269 Rigan R31012/ART3000/27W/98/A30/EM3H	D115xH170xØ140mm±1mm	ART3000	1995	27W	74	30°
133270 Rigan R31012/ART3000/27W/98/A45/EM3H	D115xH170xØ140mm±1mm	ART3000	1995	27W	74	45°
133271 Rigan R31012/ART3000/27W/98/A60/EM3H	D115xH170xØ140mm±1mm	ART3000	1995	27W	74	60°

Technical specifications can be modified without prior notice. All information is property of Greentek Lighting.
 The presentation picture is for information purposes only. Latest document update: July 12, 2017 1:28 PM. www.greentek.eu