



Raylan

RECESSED DIRECTIONAL SPOTLIGHTS | ECO-DALI

Discreet recessed spotlight suitable for low ceilings or for changing rooms where you need precise lightning effects. The spotlight smoothly blends into the general interior design and highlights the architectural features, providing a subtle yet precise illumination. Round diffusor for brilliant accent lighting in the shops and retail sectors.

Sleek aluminum housing with glass front face comes in three colors - signal white, jet black and white aluminum – for a perfect blend with the environment.

Raylan spotlight come in several series, with various add-on and controls:

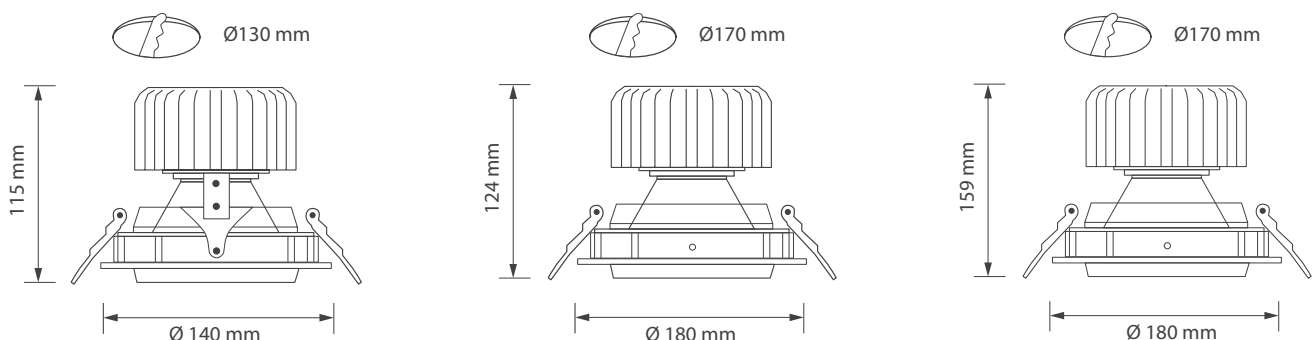
- Raylan TEC – the standard for any project in the retail and offices sectors
- Raylan ECO-DALI – with DALI controls for dimming
- Raylan TEC EM – with emergency lighting kit
- Raylan ECO- DALI EM – with both dimming and emergency kit

APPLICATION

Supermarket | Fashion | Retail | Hospitality | Exhibition | Arhitectural

FEATURES & BENEFITS

- CRI > 80 as standard, up to 98 for certain special color
- 16 color temperatures, including 11 specialized options for food, fashion, art, hospitality and AGI light
- Great variety of optics – 5 angles from narrow beams to flood beams
- Luminaire efficiency: 117lm/W @4000K
- Dimmable (for ECO Series)



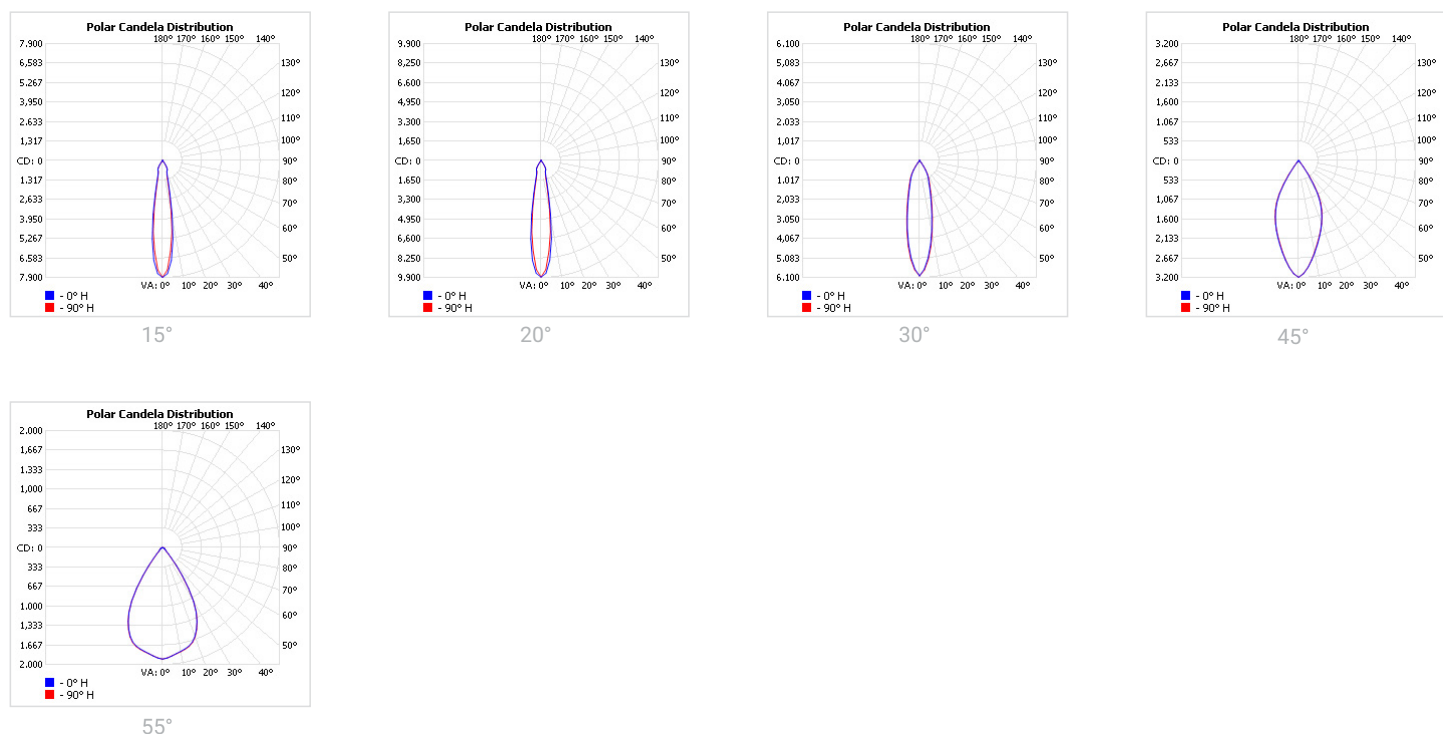
SPECIFICATIONS

Power consumption	14W, 16W, 17W, 20W, 21W, 23W, 27W, 29W, 32W, 34W, 35W, 42W		
Dimensions	D140xH115mmxØ130mm±1mm	D180xH124mmxØ170mm±1mm	D180xH159mmxØ170mm±1mm
Weight	0.9 Kg	1.1 Kg	1.1 Kg
Housing materials	Aluminium, glass		
IK code	IK02		
THD (at 230V, 50Hz, Full load)	<20%		
Protection class	Safety class 1		
Operating temperature [°C]	-20°C ... +45°C / -4F ... +113F		
Operating humidity [%]	10 ÷ 85		
Power factor	≥0.95		
AC Input [Vac]	220 - 240 VAC		
Lens angle [°]	15°, 20°, 30°, 45°, 55°		
Lifespan [h]	50,000		
Housing color	○ RAL 9003 - Signal White, ● RAL 9005 - Jet Black, ● RAL 9006 - White Aluminium		
Lumen maintenance	L90/B10@50,000h at 25°C		
IP factor (general)	IP20		
Control option	ECO-DALI		
Warranty [years]	5		
Storage temperature range [°C]	-20°C ... +55°C / -4F ... +131F		
Emergency option	For more information please see Raylan ECO-DALI EM datasheet		

#	Standard	Food	Fashion	ENT / AGI	Enhanced	ART	AMB	SUNSET
CRI	CRI80	CRI80	CRI95	CRI90 & CRI 97 / CRI93	CRI90 / CRI95	CRI98	CRI80	CRI90
CCT [K]	2700 / 3000 / 3500 / 4000	BVF / FBS / FZM / FSM / FSH	FAS	5600 / AGI3000, 3500, 4000	2700/3000/3500/4000	3000	2200	1800...2700
MacAdam	3	3 / 4 / 4 / 3 / 3	3	3	2	2	3	3

CRI - Color rendering, CCT - Color temperature, MacAdam - Color consistency

LIGHT DISTRIBUTION



TOLERANCES

Luminous flux tolerances: -/+ 5%

Consumption tolerance: -/+ 5% for TEC | -/+ 10% for TEC & KIT EM | -/+ 10% for ECO-DALI | -/+ 15% for ECO-DALI & KIT EM

BATTERY WARRANTY

TEC EM & ECO EM: 12 months warranty

TEC & ECO: -

MAXIMUM NO. OF LUMINAIRES ON A CIRCUIT

Power	Control type	Circuit Breaker Type						
		Amperage	B			C		
			20	16	10	20	16	10
12-21W	TEC		62	50	31	104	85	52
23-35W	TEC		30	24	14	51	40	24
42W	TEC		20	16	8	38	32	16
50W	TEC		18	15	7	35	29	15
12-14W	ECO		44	35	21	73	58	35
16-21W	ECO		40	32	18	66	53	30
23-42W	ECO		28	22	13	46	36	21
50W	ECO		21	16	10	35	26	16

RISK GROUP

Standard (CRI80)	RG1
FOOD (BVF, FBS, FSM)	RG1
FOOD <20W (FZM, FSH)	RG2 (dthr=1.8m)
FOOD >20W (FZM, FSH)	RG2 (dthr=2.2m)
FAS	RG1
AMB2200	RG1
ART	RG1
AGI	RG1
CRI90	RG1
CRI95	RG1
SUNSET	RG1
ENT	RG1

RG1

The evaluation of photobiological safety is carried out according to the standard IEC 62471:2008 ("Photobiological safety of lamps and lamp systems"). Following the definition of the risk grouping system of the mentioned IEC standard, the LEDs mounted on this family fall into the class "Low Risk (RG1 - No photobiological hazard under normal behavioral limitations)". Under real circumstances (regarding exposure time, pupils, observation distance), it is assumed that there is no endangerment to the eye from these devices. As a matter of principle, however, it should be mentioned that intense light sources have a high secondary exposure potential due to their blinding effect.

RG2

The evaluation of photobiological safety is carried out according to the standard IEC 62471:2008 ("Photobiological safety of lamps and lamp systems"). Following the definition of the risk grouping system of the mentioned IEC standard, the LEDs mounted on this family fall into the class "Moderate Risk (RG2)". Under real circumstances (regarding exposure time, pupils, observation distance), it is assumed that there is no endangerment to the eye from these devices. As a matter of principle, however, it should be mentioned that intense light sources have a high secondary exposure potential due to their blinding effect.

SKU SPECIFICATIONS

Product Code	Dimensions (mm)	CCT (K)	Lumens (lm)	Power (W)	Eff. (lm/watt)	Lens Angle (°)
CRI 80						
218000 Raylan D34021/2700/14W/80/A20	D140xH115mmxØ130mm±1mm	2700	1485	14W	107	20°
218001 Raylan D34021/3000/14W/80/A20	D140xH115mmxØ130mm±1mm	3000	1500	14W	108	20°
218002 Raylan D34021/3500/14W/80/A20	D140xH115mmxØ130mm±1mm	3500	1540	14W	110	20°
218003 Raylan D34021/4000/14W/80/A20	D140xH115mmxØ130mm±1mm	4000	1570	14W	113	20°
218005 Raylan D34021/2700/14W/80/A30	D140xH115mmxØ130mm±1mm	2700	1485	14W	107	30°
218006 Raylan D34021/3000/14W/80/A30	D140xH115mmxØ130mm±1mm	3000	1500	14W	108	30°
218007 Raylan D34021/3500/14W/80/A30	D140xH115mmxØ130mm±1mm	3500	1540	14W	110	30°
218008 Raylan D34021/4000/14W/80/A30	D140xH115mmxØ130mm±1mm	4000	1570	14W	113	30°
218010 Raylan D34021/2700/14W/80/A45	D140xH115mmxØ130mm±1mm	2700	1485	14W	107	45°
218011 Raylan D34021/3000/14W/80/A45	D140xH115mmxØ130mm±1mm	3000	1500	14W	108	45°
218012 Raylan D34021/3500/14W/80/A45	D140xH115mmxØ130mm±1mm	3500	1540	14W	110	45°
218013 Raylan D34021/4000/14W/80/A45	D140xH115mmxØ130mm±1mm	4000	1570	14W	113	45°
218015 Raylan D34021/2700/14W/80/A55	D140xH115mmxØ130mm±1mm	2700	1485	14W	107	55°
218016 Raylan D34021/3000/14W/80/A55	D140xH115mmxØ130mm±1mm	3000	1500	14W	108	55°
218017 Raylan D34021/3500/14W/80/A55	D140xH115mmxØ130mm±1mm	3500	1540	14W	110	55°
218018 Raylan D34021/4000/14W/80/A55	D140xH115mmxØ130mm±1mm	4000	1570	14W	113	55°
218020 Raylan D34021/2700/20W/80/A20	D140xH115mmxØ130mm±1mm	2700	2080	20W	104	20°
218021 Raylan D34021/3000/20W/80/A20	D140xH115mmxØ130mm±1mm	3000	2100	20W	105	20°
218022 Raylan D34021/3500/20W/80/A20	D140xH115mmxØ130mm±1mm	3500	2160	20W	108	20°
218023 Raylan D34021/4000/20W/80/A20	D140xH115mmxØ130mm±1mm	4000	2200	20W	110	20°
218025 Raylan D34021/2700/20W/80/A30	D140xH115mmxØ130mm±1mm	2700	2080	20W	104	30°
218026 Raylan D34021/3000/20W/80/A30	D140xH115mmxØ130mm±1mm	3000	2100	20W	105	30°
218027 Raylan D34021/3500/20W/80/A30	D140xH115mmxØ130mm±1mm	3500	2160	20W	108	30°
218028 Raylan D34021/4000/20W/80/A30	D140xH115mmxØ130mm±1mm	4000	2200	20W	110	30°
218030 Raylan D34021/2700/20W/80/A45	D140xH115mmxØ130mm±1mm	2700	2080	20W	104	45°
218031 Raylan D34021/3000/20W/80/A45	D140xH115mmxØ130mm±1mm	3000	2100	20W	105	45°
218032 Raylan D34021/3500/20W/80/A45	D140xH115mmxØ130mm±1mm	3500	2160	20W	108	45°
218033 Raylan D34021/4000/20W/80/A45	D140xH115mmxØ130mm±1mm	4000	2200	20W	110	45°
218035 Raylan D34021/2700/20W/80/A55	D140xH115mmxØ130mm±1mm	2700	2080	20W	104	55°
218036 Raylan D34021/3000/20W/80/A55	D140xH115mmxØ130mm±1mm	3000	2100	20W	105	55°
218037 Raylan D34021/3500/20W/80/A55	D140xH115mmxØ130mm±1mm	3500	2160	20W	108	55°
218038 Raylan D34021/4000/20W/80/A55	D140xH115mmxØ130mm±1mm	4000	2200	20W	110	55°
218040 Raylan D34021/2700/27W/80/A20	D140xH115mmxØ130mm±1mm	2700	2945	27W	110	20°
218041 Raylan D34021/3000/27W/80/A20	D140xH115mmxØ130mm±1mm	3000	2970	27W	110	20°
218042 Raylan D34021/3500/27W/80/A20	D140xH115mmxØ130mm±1mm	3500	3055	27W	114	20°
218043 Raylan D34021/4000/27W/80/A20	D140xH115mmxØ130mm±1mm	4000	3135	27W	117	20°
218045 Raylan D34021/2700/27W/80/A30	D140xH115mmxØ130mm±1mm	2700	2945	27W	110	30°
218046 Raylan D34021/3000/27W/80/A30	D140xH115mmxØ130mm±1mm	3000	2970	27W	110	30°
218047 Raylan D34021/3500/27W/80/A30	D140xH115mmxØ130mm±1mm	3500	3055	27W	114	30°
218048 Raylan D34021/4000/27W/80/A30	D140xH115mmxØ130mm±1mm	4000	3135	27W	117	30°
218050 Raylan D34021/2700/27W/80/A45	D140xH115mmxØ130mm±1mm	2700	2945	27W	110	45°
218051 Raylan D34021/3000/27W/80/A45	D140xH115mmxØ130mm±1mm	3000	2970	27W	110	45°
218052 Raylan D34021/3500/27W/80/A45	D140xH115mmxØ130mm±1mm	3500	3055	27W	114	45°
218053 Raylan D34021/4000/27W/80/A45	D140xH115mmxØ130mm±1mm	4000	3135	27W	117	45°
218055 Raylan D34021/2700/27W/80/A55	D140xH115mmxØ130mm±1mm	2700	2945	27W	110	55°
218056 Raylan D34021/3000/27W/80/A55	D140xH115mmxØ130mm±1mm	3000	2970	27W	110	55°
218057 Raylan D34021/3500/27W/80/A55	D140xH115mmxØ130mm±1mm	3500	3055	27W	114	55°
218058 Raylan D34021/4000/27W/80/A55	D140xH115mmxØ130mm±1mm	4000	3135	27W	117	55°
218060 Raylan D34021/2700/35W/80/A20	D140xH115mmxØ130mm±1mm	2700	3710	35W	106	20°
218061 Raylan D34021/3000/35W/80/A20	D140xH115mmxØ130mm±1mm	3000	3745	35W	107	20°

SKU SPECIFICATIONS

Product Code	Dimensions (mm)	CCT (K)	Lumens (lm)	Power (W)	Eff. (lm/watt)	Lens Angle (°)
CRI 80						
218062 Raylan D34021/3500/35W/80/A20	D140xH115mmxØ130mm±1mm	3500	3815	35W	109	20°
218063 Raylan D34021/4000/35W/80/A20	D140xH115mmxØ130mm±1mm	4000	3920	35W	112	20°
218065 Raylan D34021/2700/35W/80/A30	D140xH115mmxØ130mm±1mm	2700	3710	35W	106	30°
218066 Raylan D34021/3000/35W/80/A30	D140xH115mmxØ130mm±1mm	3000	3745	35W	107	30°
218067 Raylan D34021/3500/35W/80/A30	D140xH115mmxØ130mm±1mm	3500	3815	35W	109	30°
218068 Raylan D34021/4000/35W/80/A30	D140xH115mmxØ130mm±1mm	4000	3920	35W	112	30°
218070 Raylan D34021/2700/35W/80/A45	D140xH115mmxØ130mm±1mm	2700	3710	35W	106	45°
218071 Raylan D34021/3000/35W/80/A45	D140xH115mmxØ130mm±1mm	3000	3745	35W	107	45°
218072 Raylan D34021/3500/35W/80/A45	D140xH115mmxØ130mm±1mm	3500	3815	35W	109	45°
218073 Raylan D34021/4000/35W/80/A45	D140xH115mmxØ130mm±1mm	4000	3920	35W	112	45°
218075 Raylan D34021/2700/35W/80/A55	D140xH115mmxØ130mm±1mm	2700	3710	35W	106	55°
218076 Raylan D34021/3000/35W/80/A55	D140xH115mmxØ130mm±1mm	3000	3745	35W	107	55°
218077 Raylan D34021/3500/35W/80/A55	D140xH115mmxØ130mm±1mm	3500	3815	35W	109	55°
218078 Raylan D34021/4000/35W/80/A55	D140xH115mmxØ130mm±1mm	4000	3920	35W	112	55°
218080 Raylan D34013/2700/14W/80/A15	D180xH124mmxØ170mm±1mm	2700	1485	14W	107	15°
218081 Raylan D34013/3000/14W/80/A15	D180xH124mmxØ170mm±1mm	3000	1500	14W	108	15°
218082 Raylan D34013/3500/14W/80/A15	D180xH124mmxØ170mm±1mm	3500	1540	14W	110	15°
218083 Raylan D34013/4000/14W/80/A15	D180xH124mmxØ170mm±1mm	4000	1570	14W	113	15°
218085 Raylan D34013/2700/14W/80/A30	D180xH124mmxØ170mm±1mm	2700	1485	14W	107	30°
218086 Raylan D34013/3000/14W/80/A30	D180xH124mmxØ170mm±1mm	3000	1500	14W	108	30°
218087 Raylan D34013/3500/14W/80/A30	D180xH124mmxØ170mm±1mm	3500	1540	14W	110	30°
218088 Raylan D34013/4000/14W/80/A30	D180xH124mmxØ170mm±1mm	4000	1570	14W	113	30°
218090 Raylan D34013/2700/14W/80/A45	D180xH124mmxØ170mm±1mm	2700	1485	14W	107	45°
218091 Raylan D34013/3000/14W/80/A45	D180xH124mmxØ170mm±1mm	3000	1500	14W	108	45°
218092 Raylan D34013/3500/14W/80/A45	D180xH124mmxØ170mm±1mm	3500	1540	14W	110	45°
218093 Raylan D34013/4000/14W/80/A45	D180xH124mmxØ170mm±1mm	4000	1570	14W	113	45°
218095 Raylan D34013/2700/20W/80/A15	D180xH124mmxØ170mm±1mm	2700	2080	20W	104	15°
218096 Raylan D34013/3000/20W/80/A15	D180xH124mmxØ170mm±1mm	3000	2100	20W	105	15°
218097 Raylan D34013/3500/20W/80/A15	D180xH124mmxØ170mm±1mm	3500	2160	20W	108	15°
218098 Raylan D34013/4000/20W/80/A15	D180xH124mmxØ170mm±1mm	4000	2200	20W	110	15°
218100 Raylan D34013/2700/20W/80/A30	D180xH124mmxØ170mm±1mm	2700	2080	20W	104	30°
218101 Raylan D34013/3000/20W/80/A30	D180xH124mmxØ170mm±1mm	3000	2100	20W	105	30°
218102 Raylan D34013/3500/20W/80/A30	D180xH124mmxØ170mm±1mm	3500	2160	20W	108	30°
218103 Raylan D34013/4000/20W/80/A30	D180xH124mmxØ170mm±1mm	4000	2200	20W	110	30°
218105 Raylan D34013/2700/20W/80/A45	D180xH124mmxØ170mm±1mm	2700	2080	20W	104	45°
218106 Raylan D34013/3000/20W/80/A45	D180xH124mmxØ170mm±1mm	3000	2100	20W	105	45°
218107 Raylan D34013/3500/20W/80/A45	D180xH124mmxØ170mm±1mm	3500	2160	20W	108	45°
218108 Raylan D34013/4000/20W/80/A45	D180xH124mmxØ170mm±1mm	4000	2200	20W	110	45°
218110 Raylan D34013/2700/27W/80/A15	D180xH124mmxØ170mm±1mm	2700	2945	27W	110	15°
218111 Raylan D34013/3000/27W/80/A15	D180xH124mmxØ170mm±1mm	3000	2970	27W	110	15°
218112 Raylan D34013/3500/27W/80/A15	D180xH124mmxØ170mm±1mm	3500	3055	27W	114	15°
218113 Raylan D34013/4000/27W/80/A15	D180xH124mmxØ170mm±1mm	4000	3135	27W	117	15°
218115 Raylan D34013/2700/27W/80/A30	D180xH124mmxØ170mm±1mm	2700	2945	27W	110	30°
218116 Raylan D34013/3000/27W/80/A30	D180xH124mmxØ170mm±1mm	3000	2970	27W	110	30°
218117 Raylan D34013/3500/27W/80/A30	D180xH124mmxØ170mm±1mm	3500	3055	27W	114	30°
218118 Raylan D34013/4000/27W/80/A30	D180xH124mmxØ170mm±1mm	4000	3135	27W	117	30°
218120 Raylan D34013/2700/27W/80/A45	D180xH124mmxØ170mm±1mm	2700	2945	27W	110	45°
218121 Raylan D34013/3000/27W/80/A45	D180xH124mmxØ170mm±1mm	3000	2970	27W	110	45°
218122 Raylan D34013/3500/27W/80/A45	D180xH124mmxØ170mm±1mm	3500	3055	27W	114	45°
218123 Raylan D34013/4000/27W/80/A45	D180xH124mmxØ170mm±1mm	4000	3135	27W	117	45°

SKU SPECIFICATIONS

Product Code	Dimensions (mm)	CCT (K)	Lumens (lm)	Power (W)	Eff. (lm/watt)	Lens Angle (°)
CRI 80						
218125 Raylan D34013/2700/35W/80/A15	D180xH124mmxØ170mm±1mm	2700	3710	35W	106	15°
218126 Raylan D34013/3000/35W/80/A15	D180xH124mmxØ170mm±1mm	3000	3745	35W	107	15°
218127 Raylan D34013/3500/35W/80/A15	D180xH124mmxØ170mm±1mm	3500	3815	35W	109	15°
218128 Raylan D34013/4000/35W/80/A15	D180xH124mmxØ170mm±1mm	4000	3920	35W	112	15°
218130 Raylan D34013/2700/35W/80/A30	D180xH124mmxØ170mm±1mm	2700	3710	35W	106	30°
218131 Raylan D34013/3000/35W/80/A30	D180xH124mmxØ170mm±1mm	3000	3745	35W	107	30°
218132 Raylan D34013/3500/35W/80/A30	D180xH124mmxØ170mm±1mm	3500	3815	35W	109	30°
218133 Raylan D34013/4000/35W/80/A30	D180xH124mmxØ170mm±1mm	4000	3920	35W	112	30°
218135 Raylan D34013/2700/35W/80/A45	D180xH124mmxØ170mm±1mm	2700	3710	35W	106	45°
218136 Raylan D34013/3000/35W/80/A45	D180xH124mmxØ170mm±1mm	3000	3745	35W	107	45°
218137 Raylan D34013/3500/35W/80/A45	D180xH124mmxØ170mm±1mm	3500	3815	35W	109	45°
218138 Raylan D34013/4000/35W/80/A45	D180xH124mmxØ170mm±1mm	4000	3920	35W	112	45°
218168 Raylan D34021/BVF/27W/80/A20	D140xH115mmxØ130mm±1mm	BVF	2065	27W	77	20°
218169 Raylan D34021/FBS/27W/80/A20	D140xH115mmxØ130mm±1mm	FBS	1635	27W	61	20°
218170 Raylan D34021/FZM/27W/80/A20	D140xH115mmxØ130mm±1mm	FZM	1530	27W	57	20°
218171 Raylan D34021/FSM/27W/80/A20	D140xH115mmxØ130mm±1mm	FSM	1530	27W	57	20°
218224 Raylan D34021/FSH/27W/80/A20	D140xH115mmxØ130mm±1mm	FSH	2250	27W	84	20°
218172 Raylan D34021/BVF/27W/80/A30	D140xH115mmxØ130mm±1mm	BVF	2065	27W	77	30°
218173 Raylan D34021/FBS/27W/80/A30	D140xH115mmxØ130mm±1mm	FBS	1635	27W	61	30°
218174 Raylan D34021/FZM/27W/80/A30	D140xH115mmxØ130mm±1mm	FZM	1530	27W	57	30°
218175 Raylan D34021/FSM/27W/80/A30	D140xH115mmxØ130mm±1mm	FSM	1530	27W	57	30°
218225 Raylan D34021/FSH/27W/80/A30	D140xH115mmxØ130mm±1mm	FSH	2250	27W	84	30°
218176 Raylan D34021/BVF/27W/80/A45	D140xH115mmxØ130mm±1mm	BVF	2065	27W	77	45°
218177 Raylan D34021/FBS/27W/80/A45	D140xH115mmxØ130mm±1mm	FBS	1635	27W	61	45°
218178 Raylan D34021/FZM/27W/80/A45	D140xH115mmxØ130mm±1mm	FZM	1530	27W	57	45°
218179 Raylan D34021/FSM/27W/80/A45	D140xH115mmxØ130mm±1mm	FSM	1530	27W	57	45°
218226 Raylan D34021/FSH/27W/80/A45	D140xH115mmxØ130mm±1mm	FSH	2250	27W	84	45°
218180 Raylan D34021/BVF/27W/80/A55	D140xH115mmxØ130mm±1mm	BVF	2065	27W	77	55°
218181 Raylan D34021/FBS/27W/80/A55	D140xH115mmxØ130mm±1mm	FBS	1635	27W	61	55°
218182 Raylan D34021/FZM/27W/80/A55	D140xH115mmxØ130mm±1mm	FZM	1530	27W	57	55°
218183 Raylan D34021/FSM/27W/80/A55	D140xH115mmxØ130mm±1mm	FSM	1530	27W	57	55°
218227 Raylan D34021/FSH/27W/80/A55	D140xH115mmxØ130mm±1mm	FSH	2250	27W	84	55°
218184 Raylan D34021/BVF/35W/80/A20	D140xH115mmxØ130mm±1mm	BVF	2590	35W	74	20°
218185 Raylan D34021/FBS/35W/80/A20	D140xH115mmxØ130mm±1mm	FBS	2115	35W	61	20°
218186 Raylan D34021/FZM/35W/80/A20	D140xH115mmxØ130mm±1mm	FZM	1980	35W	57	20°
218187 Raylan D34021/FSM/35W/80/A20	D140xH115mmxØ130mm±1mm	FSM	1980	35W	57	20°
218228 Raylan D34021/FSH/35W/80/A20	D140xH115mmxØ130mm±1mm	FSH	2755	35W	79	20°
218188 Raylan D34021/BVF/35W/80/A30	D140xH115mmxØ130mm±1mm	BVF	2590	35W	74	30°
218189 Raylan D34021/FBS/35W/80/A30	D140xH115mmxØ130mm±1mm	FBS	2115	35W	61	30°
218190 Raylan D34021/FZM/35W/80/A30	D140xH115mmxØ130mm±1mm	FZM	1980	35W	57	30°
218191 Raylan D34021/FSM/35W/80/A30	D140xH115mmxØ130mm±1mm	FSM	1980	35W	57	30°
218229 Raylan D34021/FSH/35W/80/A30	D140xH115mmxØ130mm±1mm	FSH	2755	35W	79	30°
218192 Raylan D34021/BVF/35W/80/A45	D140xH115mmxØ130mm±1mm	BVF	2590	35W	74	45°
218193 Raylan D34021/FBS/35W/80/A45	D140xH115mmxØ130mm±1mm	FBS	2115	35W	61	45°
218194 Raylan D34021/FZM/35W/80/A45	D140xH115mmxØ130mm±1mm	FZM	1980	35W	57	45°
218195 Raylan D34021/FSM/35W/80/A45	D140xH115mmxØ130mm±1mm	FSM	1980	35W	57	45°
218230 Raylan D34021/FSH/35W/80/A45	D140xH115mmxØ130mm±1mm	FSH	2755	35W	79	45°
218196 Raylan D34021/BVF/35W/80/A55	D140xH115mmxØ130mm±1mm	BVF	2590	35W	74	55°
218197 Raylan D34021/FBS/35W/80/A55	D140xH115mmxØ130mm±1mm	FBS	2115	35W	61	55°
218198 Raylan D34021/FZM/35W/80/A55	D140xH115mmxØ130mm±1mm	FZM	1980	35W	57	55°

SKU SPECIFICATIONS

Product Code	Dimensions (mm)	CCT (K)	Lumens (lm)	Power (W)	Eff. (lm/watt)	Lens Angle (°)
CRI 80						
218199 Raylan D34021/FSM/35W/80/A55	D140xH115mmxØ130mm±1mm	FSM	1980	35W	57	55°
218231 Raylan D34021/FSH/35W/80/A55	D140xH115mmxØ130mm±1mm	FSH	2755	35W	79	55°
218200 Raylan D34013/BVF/27W/80/A15	D180xH124mmxØ170mm±1mm	BVF	2065	27W	77	15°
218201 Raylan D34013/FBS/27W/80/A15	D180xH124mmxØ170mm±1mm	FBS	1635	27W	61	15°
218202 Raylan D34013/FZM/27W/80/A15	D180xH124mmxØ170mm±1mm	FZM	1530	27W	57	15°
218203 Raylan D34013/FSM/27W/80/A15	D180xH124mmxØ170mm±1mm	FSM	1530	27W	57	15°
218232 Raylan D34013/FSH/27W/80/A15	D180xH124mmxØ170mm±1mm	FSH	2250	27W	84	15°
218204 Raylan D34013/BVF/27W/80/A30	D180xH124mmxØ170mm±1mm	BVF	2065	27W	77	30°
218205 Raylan D34013/FBS/27W/80/A30	D180xH124mmxØ170mm±1mm	FBS	1635	27W	61	30°
218206 Raylan D34013/FZM/27W/80/A30	D180xH124mmxØ170mm±1mm	FZM	1530	27W	57	30°
218207 Raylan D34013/FSM/27W/80/A30	D180xH124mmxØ170mm±1mm	FSM	1530	27W	57	30°
218233 Raylan D34013/FSH/27W/80/A30	D180xH124mmxØ170mm±1mm	FSH	2250	27W	84	30°
218208 Raylan D34013/BVF/27W/80/A45	D180xH124mmxØ170mm±1mm	BVF	2065	27W	77	45°
218209 Raylan D34013/FBS/27W/80/A45	D180xH124mmxØ170mm±1mm	FBS	1635	27W	61	45°
218210 Raylan D34013/FZM/27W/80/A45	D180xH124mmxØ170mm±1mm	FZM	1530	27W	57	45°
218211 Raylan D34013/FSM/27W/80/A45	D180xH124mmxØ170mm±1mm	FSM	1530	27W	57	45°
218234 Raylan D34013/FSH/27W/80/A45	D180xH124mmxØ170mm±1mm	FSH	2250	27W	84	45°
218212 Raylan D34013/BVF/35W/80/A15	D180xH124mmxØ170mm±1mm	BVF	2590	35W	74	15°
218213 Raylan D34013/FBS/35W/80/A15	D180xH124mmxØ170mm±1mm	FBS	2115	35W	61	15°
218214 Raylan D34013/FZM/35W/80/A15	D180xH124mmxØ170mm±1mm	FZM	1980	35W	57	15°
218215 Raylan D34013/FSM/35W/80/A15	D180xH124mmxØ170mm±1mm	FSM	1980	35W	57	15°
218235 Raylan D34013/FSH/35W/80/A15	D180xH124mmxØ170mm±1mm	FSH	2755	35W	79	15°
218216 Raylan D34013/BVF/35W/80/A30	D180xH124mmxØ170mm±1mm	BVF	2590	35W	74	30°
218217 Raylan D34013/FBS/35W/80/A30	D180xH124mmxØ170mm±1mm	FBS	2115	35W	61	30°
218218 Raylan D34013/FZM/35W/80/A30	D180xH124mmxØ170mm±1mm	FZM	1980	35W	57	30°
218219 Raylan D34013/FSM/35W/80/A30	D180xH124mmxØ170mm±1mm	FSM	1980	35W	57	30°
218236 Raylan D34013/FSH/35W/80/A30	D180xH124mmxØ170mm±1mm	FSH	2755	35W	79	30°
218220 Raylan D34013/BVF/35W/80/A45	D180xH124mmxØ170mm±1mm	BVF	2590	35W	74	45°
218221 Raylan D34013/FBS/35W/80/A45	D180xH124mmxØ170mm±1mm	FBS	2115	35W	61	45°
218222 Raylan D34013/FZM/35W/80/A45	D180xH124mmxØ170mm±1mm	FZM	1980	35W	57	45°
218223 Raylan D34013/FSM/35W/80/A45	D180xH124mmxØ170mm±1mm	FSM	1980	35W	57	45°
218237 Raylan D34013/FSH/35W/80/A45	D180xH124mmxØ170mm±1mm	FSH	2755	35W	79	45°
2181280 Raylan D34021/AMB2200/14W/80/A20	D140xH115mmxØ130mm±1mm	AMB2200K	1020	14W	73	20°
2181281 Raylan D34021/AMB2200/14W/80/A30	D140xH115mmxØ130mm±1mm	AMB2200K	1020	14W	73	30°
2181282 Raylan D34021/AMB2200/14W/80/A45	D140xH115mmxØ130mm±1mm	AMB2200K	1020	14W	73	45°
2181283 Raylan D34021/AMB2200/14W/80/A55	D140xH115mmxØ130mm±1mm	AMB2200K	1020	14W	73	55°
2181284 Raylan D34021/AMB2200/20W/80/A20	D140xH115mmxØ130mm±1mm	AMB2200K	1410	20W	71	20°
2181285 Raylan D34021/AMB2200/20W/80/A30	D140xH115mmxØ130mm±1mm	AMB2200K	1410	20W	71	30°
2181286 Raylan D34021/AMB2200/20W/80/A45	D140xH115mmxØ130mm±1mm	AMB2200K	1410	20W	71	45°
2181287 Raylan D34021/AMB2200/20W/80/A55	D140xH115mmxØ130mm±1mm	AMB2200K	1410	20W	71	55°
2181288 Raylan D34021/AMB2200/27W/80/A20	D140xH115mmxØ130mm±1mm	AMB2200K	1870	27W	70	20°
2181289 Raylan D34021/AMB2200/27W/80/A30	D140xH115mmxØ130mm±1mm	AMB2200K	1870	27W	70	30°
2181290 Raylan D34021/AMB2200/27W/80/A45	D140xH115mmxØ130mm±1mm	AMB2200K	1870	27W	70	45°
2181291 Raylan D34021/AMB2200/27W/80/A55	D140xH115mmxØ130mm±1mm	AMB2200K	1870	27W	70	55°
2181292 Raylan D34021/AMB2200/35W/80/A20	D140xH115mmxØ130mm±1mm	AMB2200K	2585	35W	74	20°
2181293 Raylan D34021/AMB2200/35W/80/A30	D140xH115mmxØ130mm±1mm	AMB2200K	2585	35W	74	30°
2181294 Raylan D34021/AMB2200/35W/80/A45	D140xH115mmxØ130mm±1mm	AMB2200K	2585	35W	74	45°
2181295 Raylan D34021/AMB2200/35W/80/A55	D140xH115mmxØ130mm±1mm	AMB2200K	2585	35W	74	55°
2181300 Raylan D34013/AMB2200/14W/80/A15	D180xH124mmxØ170mm±1mm	AMB2200K	1020	14W	73	15°
2181301 Raylan D34013/AMB2200/14W/80/A30	D180xH124mmxØ170mm±1mm	AMB2200K	1020	14W	73	30°

SKU SPECIFICATIONS

Product Code	Dimensions (mm)	CCT (K)	Lumens (lm)	Power (W)	Eff. (lm/watt)	Lens Angle (°)
CRI 80						
2181302 Raylan D34013/AMB2200/14W/80/A45	D180xH124mmxØ170mm±1mm	AMB2200K	1020	14W	73	45°
2181303 Raylan D34013/AMB2200/20W/80/A15	D180xH124mmxØ170mm±1mm	AMB2200K	1410	20W	71	15°
2181304 Raylan D34013/AMB2200/20W/80/A30	D180xH124mmxØ170mm±1mm	AMB2200K	1410	20W	71	30°
2181305 Raylan D34013/AMB2200/20W/80/A45	D180xH124mmxØ170mm±1mm	AMB2200K	1410	20W	71	45°
2181306 Raylan D34013/AMB2200/27W/80/A15	D180xH124mmxØ170mm±1mm	AMB2200K	1870	27W	70	15°
2181307 Raylan D34013/AMB2200/27W/80/A30	D180xH124mmxØ170mm±1mm	AMB2200K	1870	27W	70	30°
2181308 Raylan D34013/AMB2200/27W/80/A45	D180xH124mmxØ170mm±1mm	AMB2200K	1870	27W	70	45°
2181309 Raylan D34013/AMB2200/35W/80/A15	D180xH124mmxØ170mm±1mm	AMB2200K	2585	35W	74	15°
2181310 Raylan D34013/AMB2200/35W/80/A30	D180xH124mmxØ170mm±1mm	AMB2200K	2585	35W	74	30°
2181311 Raylan D34013/AMB2200/35W/80/A45	D180xH124mmxØ170mm±1mm	AMB2200K	2585	35W	74	45°
2181385 Raylan D34013_H80/2700/42W/80/A15	D180xH159mmxØ170mm±1mm	2700	4200	42W	100	15°
2181386 Raylan D34013_H80/3000/42W/80/A15	D180xH159mmxØ170mm±1mm	3000	4200	42W	100	15°
2181387 Raylan D34013_H80/3500/42W/80/A15	D180xH159mmxØ170mm±1mm	3500	4330	42W	103	15°
2181388 Raylan D34013_H80/4000/42W/80/A15	D180xH159mmxØ170mm±1mm	4000	4455	42W	106	15°
2181390 Raylan D34013_H80/2700/42W/80/A30	D180xH159mmxØ170mm±1mm	2700	4200	42W	100	30°
2181391 Raylan D34013_H80/3000/42W/80/A30	D180xH159mmxØ170mm±1mm	3000	4200	42W	100	30°
2181392 Raylan D34013_H80/3500/42W/80/A30	D180xH159mmxØ170mm±1mm	3500	4330	42W	103	30°
2181393 Raylan D34013_H80/4000/42W/80/A30	D180xH159mmxØ170mm±1mm	4000	4455	42W	106	30°
2181395 Raylan D34013_H80/2700/42W/80/A45	D180xH159mmxØ170mm±1mm	2700	4200	42W	100	45°
2181396 Raylan D34013_H80/3000/42W/80/A45	D180xH159mmxØ170mm±1mm	3000	4200	42W	100	45°
2181397 Raylan D34013_H80/3500/42W/80/A45	D180xH159mmxØ170mm±1mm	3500	4330	42W	103	45°
2181398 Raylan D34013_H80/4000/42W/80/A45	D180xH159mmxØ170mm±1mm	4000	4455	42W	106	45°
CRI 90						
2181315 Raylan D34021/SUNSET/21W/90/A20	D140xH115mmxØ130mm±1mm	SUNSET	1350	21W	65	20°
2181316 Raylan D34021/SUNSET/21W/90/A30	D140xH115mmxØ130mm±1mm	SUNSET	1350	21W	65	30°
2181317 Raylan D34021/SUNSET/21W/90/A45	D140xH115mmxØ130mm±1mm	SUNSET	1350	21W	65	45°
2181318 Raylan D34021/SUNSET/21W/90/A55	D140xH115mmxØ130mm±1mm	SUNSET	1350	21W	65	55°
2181319 Raylan D34013/SUNSET/21W/90/A15	D180xH124mmxØ170mm±1mm	SUNSET	1350	21W	65	15°
2181320 Raylan D34013/SUNSET/21W/90/A30	D180xH124mmxØ170mm±1mm	SUNSET	1350	21W	65	30°
2181321 Raylan D34013/SUNSET/21W/90/A45	D180xH124mmxØ170mm±1mm	SUNSET	1350	21W	65	45°
2181322 Raylan D34021/ENT5600/16W/90/A20	D140xH115mmxØ130mm±1mm	ENT5600	1555	16W	98	20°
2181323 Raylan D34021/ENT5600/16W/90/A30	D140xH115mmxØ130mm±1mm	ENT5600	1555	16W	98	30°
2181324 Raylan D34021/ENT5600/16W/90/A45	D140xH115mmxØ130mm±1mm	ENT5600	1555	16W	98	45°
2181325 Raylan D34021/ENT5600/16W/90/A55	D140xH115mmxØ130mm±1mm	ENT5600	1555	16W	98	55°
2181326 Raylan D34021/ENT5600/21W/90/A20	D140xH115mmxØ130mm±1mm	ENT5600	2030	21W	97	20°
2181327 Raylan D34021/ENT5600/21W/90/A30	D140xH115mmxØ130mm±1mm	ENT5600	2030	21W	97	30°
2181328 Raylan D34021/ENT5600/21W/90/A45	D140xH115mmxØ130mm±1mm	ENT5600	2030	21W	97	45°
2181329 Raylan D34021/ENT5600/21W/90/A55	D140xH115mmxØ130mm±1mm	ENT5600	2030	21W	97	55°
2181330 Raylan D34021/ENT5600/27W/90/A20	D140xH115mmxØ130mm±1mm	ENT5600	2575	27W	96	20°
2181331 Raylan D34021/ENT5600/27W/90/A30	D140xH115mmxØ130mm±1mm	ENT5600	2575	27W	96	30°
2181332 Raylan D34021/ENT5600/27W/90/A45	D140xH115mmxØ130mm±1mm	ENT5600	2575	27W	96	45°
2181333 Raylan D34021/ENT5600/27W/90/A55	D140xH115mmxØ130mm±1mm	ENT5600	2575	27W	96	55°
2181334 Raylan D34021/ENT5600/32W/90/A20	D140xH115mmxØ130mm±1mm	ENT5600	3005	32W	94	20°
2181335 Raylan D34021/ENT5600/32W/90/A30	D140xH115mmxØ130mm±1mm	ENT5600	3005	32W	94	30°
2181336 Raylan D34021/ENT5600/32W/90/A45	D140xH115mmxØ130mm±1mm	ENT5600	3005	32W	94	45°
2181337 Raylan D34021/ENT5600/32W/90/A55	D140xH115mmxØ130mm±1mm	ENT5600	3005	32W	94	55°
2181338 Raylan D34013/ENT5600/16W/90/A15	D180xH124mmxØ170mm±1mm	ENT5600	1555	16W	98	15°
2181339 Raylan D34013/ENT5600/16W/90/A30	D180xH124mmxØ170mm±1mm	ENT5600	1555	16W	98	30°
2181340 Raylan D34013/ENT5600/16W/90/A45	D180xH124mmxØ170mm±1mm	ENT5600	1555	16W	98	45°

SKU SPECIFICATIONS

Product Code	Dimensions (mm)	CCT (K)	Lumens (lm)	Power (W)	Eff. (lm/watt)	Lens Angle (°)
CRI 90						
2181341 Raylan D34013/ENT5600/21W/90/A15	D180xH124mmxØ170mm±1mm	ENT5600	2030	21W	97	15°
2181342 Raylan D34013/ENT5600/21W/90/A30	D180xH124mmxØ170mm±1mm	ENT5600	2030	21W	97	30°
2181343 Raylan D34013/ENT5600/21W/90/A45	D180xH124mmxØ170mm±1mm	ENT5600	2030	21W	97	45°
2181344 Raylan D34013/ENT5600/27W/90/A15	D180xH124mmxØ170mm±1mm	ENT5600	2575	27W	96	15°
2181345 Raylan D34013/ENT5600/27W/90/A30	D180xH124mmxØ170mm±1mm	ENT5600	2575	27W	96	30°
2181346 Raylan D34013/ENT5600/27W/90/A45	D180xH124mmxØ170mm±1mm	ENT5600	2575	27W	96	45°
2181347 Raylan D34013/ENT5600/32W/90/A15	D180xH124mmxØ170mm±1mm	ENT5600	3005	32W	94	15°
2181348 Raylan D34013/ENT5600/32W/90/A30	D180xH124mmxØ170mm±1mm	ENT5600	3005	32W	94	30°
2181349 Raylan D34013/ENT5600/32W/90/A45	D180xH124mmxØ170mm±1mm	ENT5600	3005	32W	94	45°
CRI 93						
218931 Raylan D34021/AGI3000/17W/93/A20	D140xH115mmxØ130mm±1mm	AGI3000	985	17W	58	20°
218932 Raylan D34021/AGI3500/17W/93/A20	D140xH115mmxØ130mm±1mm	AGI3500	1050	17W	62	20°
218933 Raylan D34021/AGI4000/17W/93/A20	D140xH115mmxØ130mm±1mm	AGI4000	1115	17W	66	20°
218934 Raylan D34021/AGI3000/17W/93/A30	D140xH115mmxØ130mm±1mm	AGI3000	985	17W	58	30°
218935 Raylan D34021/AGI3500/17W/93/A30	D140xH115mmxØ130mm±1mm	AGI3500	1050	17W	62	30°
218936 Raylan D34021/AGI4000/17W/93/A30	D140xH115mmxØ130mm±1mm	AGI4000	1115	17W	66	30°
218937 Raylan D34021/AGI3000/17W/93/A45	D140xH115mmxØ130mm±1mm	AGI3000	985	17W	58	45°
218938 Raylan D34021/AGI3500/17W/93/A45	D140xH115mmxØ130mm±1mm	AGI3500	1050	17W	62	45°
218939 Raylan D34021/AGI4000/17W/93/A45	D140xH115mmxØ130mm±1mm	AGI4000	1115	17W	66	45°
218940 Raylan D34021/AGI3000/17W/93/A55	D140xH115mmxØ130mm±1mm	AGI3000	985	17W	58	55°
218941 Raylan D34021/AGI3500/17W/93/A55	D140xH115mmxØ130mm±1mm	AGI3500	1050	17W	62	55°
218942 Raylan D34021/AGI4000/17W/93/A55	D140xH115mmxØ130mm±1mm	AGI4000	1115	17W	66	55°
218943 Raylan D34021/AGI3000/23W/93/A20	D140xH115mmxØ130mm±1mm	AGI3000	1330	23W	58	20°
218944 Raylan D34021/AGI3500/23W/93/A20	D140xH115mmxØ130mm±1mm	AGI3500	1440	23W	63	20°
218945 Raylan D34021/AGI4000/23W/93/A20	D140xH115mmxØ130mm±1mm	AGI4000	1550	23W	68	20°
218946 Raylan D34021/AGI3000/23W/93/A30	D140xH115mmxØ130mm±1mm	AGI3000	1330	23W	58	30°
218947 Raylan D34021/AGI3500/23W/93/A30	D140xH115mmxØ130mm±1mm	AGI3500	1440	23W	63	30°
218948 Raylan D34021/AGI4000/23W/93/A30	D140xH115mmxØ130mm±1mm	AGI4000	1550	23W	68	30°
218949 Raylan D34021/AGI3000/23W/93/A45	D140xH115mmxØ130mm±1mm	AGI3000	1330	23W	58	45°
218950 Raylan D34021/AGI3500/23W/93/A45	D140xH115mmxØ130mm±1mm	AGI3500	1440	23W	63	45°
218951 Raylan D34021/AGI4000/23W/93/A45	D140xH115mmxØ130mm±1mm	AGI4000	1550	23W	68	45°
218952 Raylan D34021/AGI3000/23W/93/A55	D140xH115mmxØ130mm±1mm	AGI3000	1330	23W	58	55°
218953 Raylan D34021/AGI3500/23W/93/A55	D140xH115mmxØ130mm±1mm	AGI3500	1440	23W	63	55°
218954 Raylan D34021/AGI4000/23W/93/A55	D140xH115mmxØ130mm±1mm	AGI4000	1550	23W	68	55°
218955 Raylan D34021/AGI3000/29W/93/A20	D140xH115mmxØ130mm±1mm	AGI3000	1680	29W	58	20°
218956 Raylan D34021/AGI3500/29W/93/A20	D140xH115mmxØ130mm±1mm	AGI3500	1820	29W	63	20°
218957 Raylan D34021/AGI4000/29W/93/A20	D140xH115mmxØ130mm±1mm	AGI4000	1960	29W	68	20°
218958 Raylan D34021/AGI3000/29W/93/A30	D140xH115mmxØ130mm±1mm	AGI3000	1680	29W	58	30°
218959 Raylan D34021/AGI3500/29W/93/A30	D140xH115mmxØ130mm±1mm	AGI3500	1820	29W	63	30°
218960 Raylan D34021/AGI4000/29W/93/A30	D140xH115mmxØ130mm±1mm	AGI4000	1960	29W	68	30°
218961 Raylan D34021/AGI3000/29W/93/A45	D140xH115mmxØ130mm±1mm	AGI3000	1680	29W	58	45°
218962 Raylan D34021/AGI3500/29W/93/A45	D140xH115mmxØ130mm±1mm	AGI3500	1820	29W	63	45°
218963 Raylan D34021/AGI4000/29W/93/A45	D140xH115mmxØ130mm±1mm	AGI4000	1960	29W	68	45°
218964 Raylan D34021/AGI3000/29W/93/A55	D140xH115mmxØ130mm±1mm	AGI3000	1680	29W	58	55°
218965 Raylan D34021/AGI3500/29W/93/A55	D140xH115mmxØ130mm±1mm	AGI3500	1820	29W	63	55°
218966 Raylan D34021/AGI4000/29W/93/A55	D140xH115mmxØ130mm±1mm	AGI4000	1960	29W	68	55°
218967 Raylan D34021/AGI3000/34W/93/A20	D140xH115mmxØ130mm±1mm	AGI3000	1900	34W	56	20°
218968 Raylan D34021/AGI3500/34W/93/A20	D140xH115mmxØ130mm±1mm	AGI3500	1995	34W	59	20°
218969 Raylan D34021/AGI4000/34W/93/A20	D140xH115mmxØ130mm±1mm	AGI4000	2095	34W	62	20°

SKU SPECIFICATIONS

Product Code	Dimensions (mm)	CCT (K)	Lumens (lm)	Power (W)	Eff. (lm/watt)	Lens Angle (°)
CRI 93						
218970 Raylan D34021/AGI3000/34W/93/A30	D140xH115mmxØ130mm±1mm	AGI3000	1900	34W	56	30°
218971 Raylan D34021/AGI3500/34W/93/A30	D140xH115mmxØ130mm±1mm	AGI3500	1995	34W	59	30°
218972 Raylan D34021/AGI4000/34W/93/A30	D140xH115mmxØ130mm±1mm	AGI4000	2095	34W	62	30°
218973 Raylan D34021/AGI3000/34W/93/A45	D140xH115mmxØ130mm±1mm	AGI3000	1900	34W	56	45°
218974 Raylan D34021/AGI3500/34W/93/A45	D140xH115mmxØ130mm±1mm	AGI3500	1995	34W	59	45°
218975 Raylan D34021/AGI4000/34W/93/A45	D140xH115mmxØ130mm±1mm	AGI4000	2095	34W	62	45°
218976 Raylan D34021/AGI3000/34W/93/A55	D140xH115mmxØ130mm±1mm	AGI3000	1900	34W	56	55°
218977 Raylan D34021/AGI3500/34W/93/A55	D140xH115mmxØ130mm±1mm	AGI3500	1995	34W	59	55°
218978 Raylan D34021/AGI4000/34W/93/A55	D140xH115mmxØ130mm±1mm	AGI4000	2095	34W	62	55°
218798 Raylan D34013/AGI3000/17W/93/A15	D180xH124mmxØ170mm±1mm	AGI3000	985	17W	58	15°
218799 Raylan D34013/AGI3500/17W/93/A15	D180xH124mmxØ170mm±1mm	AGI3500	1050	17W	62	15°
218800 Raylan D34013/AGI4000/17W/93/A15	D180xH124mmxØ170mm±1mm	AGI4000	1115	17W	66	15°
218801 Raylan D34013/AGI3000/17W/93/A30	D180xH124mmxØ170mm±1mm	AGI3000	985	17W	58	30°
218802 Raylan D34013/AGI3500/17W/93/A30	D180xH124mmxØ170mm±1mm	AGI3500	1050	17W	62	30°
218803 Raylan D34013/AGI4000/17W/93/A30	D180xH124mmxØ170mm±1mm	AGI4000	1115	17W	66	30°
218804 Raylan D34013/AGI3000/17W/93/A45	D180xH124mmxØ170mm±1mm	AGI3000	985	17W	58	45°
218805 Raylan D34013/AGI3500/17W/93/A45	D180xH124mmxØ170mm±1mm	AGI3500	1050	17W	62	45°
218806 Raylan D34013/AGI4000/17W/93/A45	D180xH124mmxØ170mm±1mm	AGI4000	1115	17W	66	45°
218807 Raylan D34013/AGI3000/23W/93/A15	D180xH124mmxØ170mm±1mm	AGI3000	1330	23W	58	15°
218808 Raylan D34013/AGI3500/23W/93/A15	D180xH124mmxØ170mm±1mm	AGI3500	1440	23W	63	15°
218809 Raylan D34013/AGI4000/23W/93/A15	D180xH124mmxØ170mm±1mm	AGI4000	1550	23W	68	15°
218810 Raylan D34013/AGI3000/23W/93/A30	D180xH124mmxØ170mm±1mm	AGI3000	1330	23W	58	30°
218811 Raylan D34013/AGI3500/23W/93/A30	D180xH124mmxØ170mm±1mm	AGI3500	1440	23W	63	30°
218812 Raylan D34013/AGI4000/23W/93/A30	D180xH124mmxØ170mm±1mm	AGI4000	1550	23W	68	30°
218813 Raylan D34013/AGI3000/23W/93/A45	D180xH124mmxØ170mm±1mm	AGI3000	1330	23W	58	45°
218814 Raylan D34013/AGI3500/23W/93/A45	D180xH124mmxØ170mm±1mm	AGI3500	1440	23W	63	45°
218815 Raylan D34013/AGI4000/23W/93/A45	D180xH124mmxØ170mm±1mm	AGI4000	1550	23W	68	45°
218816 Raylan D34013/AGI3000/29W/93/A15	D180xH124mmxØ170mm±1mm	AGI3000	1680	29W	58	15°
218817 Raylan D34013/AGI3500/29W/93/A15	D180xH124mmxØ170mm±1mm	AGI3500	1820	29W	63	15°
218818 Raylan D34013/AGI4000/29W/93/A15	D180xH124mmxØ170mm±1mm	AGI4000	1960	29W	68	15°
218819 Raylan D34013/AGI3000/29W/93/A30	D180xH124mmxØ170mm±1mm	AGI3000	1680	29W	58	30°
218820 Raylan D34013/AGI3500/29W/93/A30	D180xH124mmxØ170mm±1mm	AGI3500	1820	29W	63	30°
218821 Raylan D34013/AGI4000/29W/93/A30	D180xH124mmxØ170mm±1mm	AGI4000	1960	29W	68	30°
218822 Raylan D34013/AGI3000/29W/93/A45	D180xH124mmxØ170mm±1mm	AGI3000	1680	29W	58	45°
218823 Raylan D34013/AGI3500/29W/93/A45	D180xH124mmxØ170mm±1mm	AGI3500	1820	29W	63	45°
218824 Raylan D34013/AGI4000/29W/93/A45	D180xH124mmxØ170mm±1mm	AGI4000	1960	29W	68	45°
218825 Raylan D34013/AGI3000/34W/93/A15	D180xH124mmxØ170mm±1mm	AGI3000	1900	34W	56	15°
218826 Raylan D34013/AGI3500/34W/93/A15	D180xH124mmxØ170mm±1mm	AGI3500	1995	34W	59	15°
218827 Raylan D34013/AGI4000/34W/93/A15	D180xH124mmxØ170mm±1mm	AGI4000	2095	34W	62	15°
218828 Raylan D34013/AGI3000/34W/93/A30	D180xH124mmxØ170mm±1mm	AGI3000	1900	34W	56	30°
218829 Raylan D34013/AGI3500/34W/93/A30	D180xH124mmxØ170mm±1mm	AGI3500	1995	34W	59	30°
218830 Raylan D34013/AGI4000/34W/93/A30	D180xH124mmxØ170mm±1mm	AGI4000	2095	34W	62	30°
218831 Raylan D34013/AGI3000/34W/93/A45	D180xH124mmxØ170mm±1mm	AGI3000	1900	34W	56	45°
218832 Raylan D34013/AGI3500/34W/93/A45	D180xH124mmxØ170mm±1mm	AGI3500	1995	34W	59	45°
218833 Raylan D34013/AGI4000/34W/93/A45	D180xH124mmxØ170mm±1mm	AGI4000	2095	34W	62	45°
CRI 95						
218140 Raylan D34021/FAS/14W/95/A20	D140xH115mmxØ130mm±1mm	FAS	1145	14W	82	20°
218141 Raylan D34021/FAS/14W/95/A30	D140xH115mmxØ130mm±1mm	FAS	1145	14W	82	30°
218142 Raylan D34021/FAS/14W/95/A45	D140xH115mmxØ130mm±1mm	FAS	1145	14W	82	45°

SKU SPECIFICATIONS

Product Code	Dimensions (mm)	CCT (K)	Lumens (lm)	Power (W)	Eff. (lm/watt)	Lens Angle (°)
CRI 95						
218143 Raylan D34021/FAS/14W/95/A55	D140xH115mmxØ130mm±1mm	FAS	1145	14W	82	55°
218144 Raylan D34021/FAS/20W/95/A20	D140xH115mmxØ130mm±1mm	FAS	1510	20W	76	20°
218145 Raylan D34021/FAS/20W/95/A30	D140xH115mmxØ130mm±1mm	FAS	1510	20W	76	30°
218146 Raylan D34021/FAS/20W/95/A45	D140xH115mmxØ130mm±1mm	FAS	1510	20W	76	45°
218147 Raylan D34021/FAS/20W/95/A55	D140xH115mmxØ130mm±1mm	FAS	1510	20W	76	55°
218148 Raylan D34021/FAS/27W/95/A20	D140xH115mmxØ130mm±1mm	FAS	2080	27W	78	20°
218149 Raylan D34021/FAS/27W/95/A30	D140xH115mmxØ130mm±1mm	FAS	2080	27W	78	30°
218150 Raylan D34021/FAS/27W/95/A45	D140xH115mmxØ130mm±1mm	FAS	2080	27W	78	45°
218151 Raylan D34021/FAS/27W/95/A55	D140xH115mmxØ130mm±1mm	FAS	2080	27W	78	55°
218152 Raylan D34021/FAS/35W/95/A20	D140xH115mmxØ130mm±1mm	FAS	2535	35W	73	20°
218153 Raylan D34021/FAS/35W/95/A30	D140xH115mmxØ130mm±1mm	FAS	2535	35W	73	30°
218154 Raylan D34021/FAS/35W/95/A45	D140xH115mmxØ130mm±1mm	FAS	2535	35W	73	45°
218155 Raylan D34021/FAS/35W/95/A55	D140xH115mmxØ130mm±1mm	FAS	2535	35W	73	55°
218156 Raylan D34013/FAS/14W/95/A15	D180xH124mmxØ170mm±1mm	FAS	1145	14W	82	15°
218157 Raylan D34013/FAS/14W/95/A30	D180xH124mmxØ170mm±1mm	FAS	1145	14W	82	30°
218158 Raylan D34013/FAS/14W/95/A45	D180xH124mmxØ170mm±1mm	FAS	1145	14W	82	45°
218159 Raylan D34013/FAS/20W/95/A15	D180xH124mmxØ170mm±1mm	FAS	1510	20W	76	15°
218160 Raylan D34013/FAS/20W/95/A30	D180xH124mmxØ170mm±1mm	FAS	1510	20W	76	30°
218161 Raylan D34013/FAS/20W/95/A45	D180xH124mmxØ170mm±1mm	FAS	1510	20W	76	45°
218162 Raylan D34013/FAS/27W/95/A15	D180xH124mmxØ170mm±1mm	FAS	2080	27W	78	15°
218163 Raylan D34013/FAS/27W/95/A30	D180xH124mmxØ170mm±1mm	FAS	2080	27W	78	30°
218164 Raylan D34013/FAS/27W/95/A45	D180xH124mmxØ170mm±1mm	FAS	2080	27W	78	45°
218165 Raylan D34013/FAS/35W/95/A15	D180xH124mmxØ170mm±1mm	FAS	2535	35W	73	15°
218166 Raylan D34013/FAS/35W/95/A30	D180xH124mmxØ170mm±1mm	FAS	2535	35W	73	30°
218167 Raylan D34013/FAS/35W/95/A45	D180xH124mmxØ170mm±1mm	FAS	2535	35W	73	45°
CRI 97						
2181350 Raylan D34021/ENT5600/16W/97/A20	D140xH115mmxØ130mm±1mm	ENT5600	1385	16W	87	20°
2181351 Raylan D34021/ENT5600/16W/97/A30	D140xH115mmxØ130mm±1mm	ENT5600	1385	16W	87	30°
2181352 Raylan D34021/ENT5600/16W/97/A45	D140xH115mmxØ130mm±1mm	ENT5600	1385	16W	87	45°
2181353 Raylan D34021/ENT5600/16W/97/A55	D140xH115mmxØ130mm±1mm	ENT5600	1385	16W	87	55°
2181354 Raylan D34021/ENT5600/21W/97/A20	D140xH115mmxØ130mm±1mm	ENT5600	1825	21W	87	20°
2181355 Raylan D34021/ENT5600/21W/97/A30	D140xH115mmxØ130mm±1mm	ENT5600	1825	21W	87	30°
2181356 Raylan D34021/ENT5600/21W/97/A45	D140xH115mmxØ130mm±1mm	ENT5600	1825	21W	87	45°
2181357 Raylan D34021/ENT5600/21W/97/A55	D140xH115mmxØ130mm±1mm	ENT5600	1825	21W	87	55°
2181358 Raylan D34021/ENT5600/27W/97/A20	D140xH115mmxØ130mm±1mm	ENT5600	2310	27W	86	20°
2181359 Raylan D34021/ENT5600/27W/97/A30	D140xH115mmxØ130mm±1mm	ENT5600	2310	27W	86	30°
2181360 Raylan D34021/ENT5600/27W/97/A45	D140xH115mmxØ130mm±1mm	ENT5600	2310	27W	86	45°
2181361 Raylan D34021/ENT5600/27W/97/A55	D140xH115mmxØ130mm±1mm	ENT5600	2310	27W	86	55°
2181362 Raylan D34021/ENT5600/32W/97/A20	D140xH115mmxØ130mm±1mm	ENT5600	2670	32W	84	20°
2181363 Raylan D34021/ENT5600/32W/97/A30	D140xH115mmxØ130mm±1mm	ENT5600	2670	32W	84	30°
2181364 Raylan D34021/ENT5600/32W/97/A45	D140xH115mmxØ130mm±1mm	ENT5600	2670	32W	84	45°
2181365 Raylan D34021/ENT5600/32W/97/A55	D140xH115mmxØ130mm±1mm	ENT5600	2670	32W	84	55°
2181366 Raylan D34013/ENT5600/16W/97/A15	D180xH124mmxØ170mm±1mm	ENT5600	1385	16W	87	15°
2181367 Raylan D34013/ENT5600/16W/97/A30	D180xH124mmxØ170mm±1mm	ENT5600	1385	16W	87	30°
2181368 Raylan D34013/ENT5600/16W/97/A45	D180xH124mmxØ170mm±1mm	ENT5600	1385	16W	87	45°
2181369 Raylan D34013/ENT5600/21W/97/A15	D180xH124mmxØ170mm±1mm	ENT5600	1385	21W	87	15°
2181370 Raylan D34013/ENT5600/21W/97/A30	D180xH124mmxØ170mm±1mm	ENT5600	1825	21W	87	30°
2181371 Raylan D34013/ENT5600/21W/97/A45	D180xH124mmxØ170mm±1mm	ENT5600	1825	21W	87	45°
2181372 Raylan D34013/ENT5600/27W/97/A15	D180xH124mmxØ170mm±1mm	ENT5600	2310	27W	86	15°

SKU SPECIFICATIONS

Product Code	Dimensions (mm)	CCT (K)	Lumens (lm)	Power (W)	Eff. (lm/watt)	Lens Angle (°)
CRI 97						
2181373 Raylan D34013/ENT5600/27W/97/A30	D180xH124mmxØ170mm±1mm	ENT5600	2310	27W	86	30°
2181374 Raylan D34013/ENT5600/27W/97/A45	D180xH124mmxØ170mm±1mm	ENT5600	2310	27W	86	45°
2181375 Raylan D34013/ENT5600/32W/97/A15	D180xH124mmxØ170mm±1mm	ENT5600	2670	32W	84	15°
2181376 Raylan D34013/ENT5600/32W/97/A30	D180xH124mmxØ170mm±1mm	ENT5600	2670	32W	84	30°
2181377 Raylan D34013/ENT5600/32W/97/A45	D180xH124mmxØ170mm±1mm	ENT5600	2670	32W	84	45°
CRI 98						
218246 Raylan D34021/ART3000/27W/98/A20	D140xH115mmxØ130mm±1mm	ART3000	1995	27W	74	20°
218247 Raylan D34021/ART3000/27W/98/A30	D140xH115mmxØ130mm±1mm	ART3000	1995	27W	74	30°
218248 Raylan D34021/ART3000/27W/98/A45	D140xH115mmxØ130mm±1mm	ART3000	1995	27W	74	45°
218249 Raylan D34021/ART3000/27W/98/A55	D140xH115mmxØ130mm±1mm	ART3000	1995	27W	74	55°
218250 Raylan D34021/ART3000/35W/98/A20	D140xH115mmxØ130mm±1mm	ART3000	2425	35W	70	20°
218251 Raylan D34021/ART3000/35W/98/A30	D140xH115mmxØ130mm±1mm	ART3000	2425	35W	70	30°
218252 Raylan D34021/ART3000/35W/98/A45	D140xH115mmxØ130mm±1mm	ART3000	2425	35W	70	45°
218253 Raylan D34021/ART3000/35W/98/A55	D140xH115mmxØ130mm±1mm	ART3000	2425	35W	70	55°
218260 Raylan D34013/ART3000/27W/98/A15	D180xH124mmxØ170mm±1mm	ART3000	1995	27W	74	15°
218261 Raylan D34013/ART3000/27W/98/A30	D180xH124mmxØ170mm±1mm	ART3000	1995	27W	74	30°
218262 Raylan D34013/ART3000/27W/98/A45	D180xH124mmxØ170mm±1mm	ART3000	1995	27W	74	45°
218263 Raylan D34013/ART3000/35W/98/A15	D180xH124mmxØ170mm±1mm	ART3000	2425	35W	70	15°
218264 Raylan D34013/ART3000/35W/98/A30	D180xH124mmxØ170mm±1mm	ART3000	2425	35W	70	30°
218265 Raylan D34013/ART3000/35W/98/A45	D180xH124mmxØ170mm±1mm	ART3000	2425	35W	70	45°