



Tulip

TRACK SPOTLIGHTS | ECO-DALI

A highly elegant, compact track spotlight. The radiator is encased in the aluminum housing, allowing for a smooth design. As all our track lights, the Tulip range includes several special color temperatures for food, art and fashion. Especially suitable for commercial spaces and showrooms that require a sleek, minimalistic luminaire.

The modern touch is given by the aluminum housing and three color options: signal white, jet black and white aluminum.

Available in two series, with different add-ons and controls:

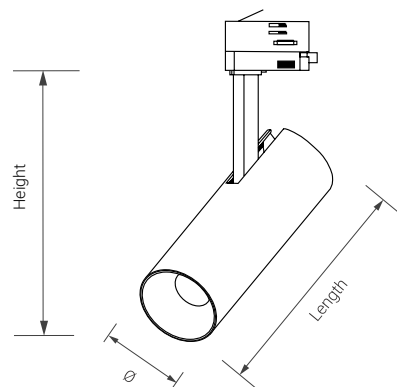
- Tulip TEC – the standard for any project in the retail sector
- Tulip ECO-DALI – with DALI controls for illumination adjustments

APPLICATION

High End Grocery & Supermarkets | Fashion Retailers | Hospitality | Art & Exhibitions

FEATURES & BENEFITS

- CRI > 80 as standard, up to 98 for certain special colors
- 17 color temperatures, including specialized options for food, art, AGI light and hospitality light
- Great variety of optics – 4 angles, from narrow beams to flood beams, for each housing size
- Efficiency: 109 lm/W @4000K
- Very long service life: 50,000 h at 90% luminous flux
- Dimmable



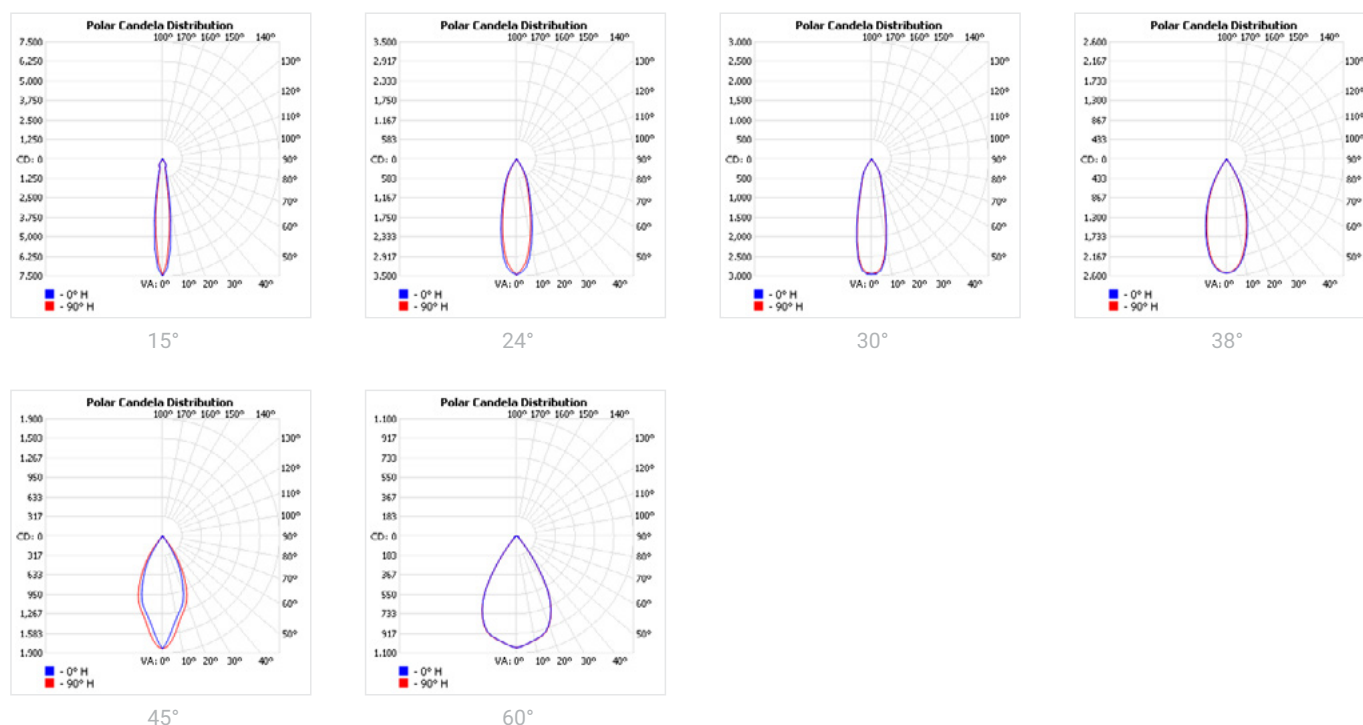
SPECIFICATIONS

Power consumption	14W, 20W	14W, 16W, 20W, 21W, 27W, 32W, 35W
Dimensions	Ø70 x L200 x H264mm±1mm	Ø110 x L240 x H279mm±1mm
Weight	0.8 kg	1.6 kg
Housing materials	Aluminium, glass	
IK code	IK02	
THD (at 230V, 50Hz, Full load)	<8%	
Protection class	Safety class 1	
Operating temperature [°C]	-20 ... +45 °C / -4F ... +113F	
Operating humidity [%]	10 ÷ 85	
Power factor	≥0.95	
AC Input [Vac]	220 - 240	
Lens angle [°]	15°, 24°, 38°, 60° 15°, 30°, 45°, 60°	
Lifespan [h]	50,000	
Housing color	○ RAL 9003 - Signal white, ● RAL 9005 - Jet Black, ● RAL 9006 - White Aluminium	
Lumen maintenance	L90/B10@50,000h at 25°C	
IP factor	IP20	
Control optional	ECO-DALI	
Warranty [years]	5	
Storage temperature range [°C]	-20 ... +55 °C / -4F ... +131F	
Emergency option	-	

#	Standard	Food	Fashion	ENT / AGI	Enhanced	ART	AMB	SUNSET
CRI	CRI80	CRI80	CRI95	CRI90 & CRI97 / CRI93	CRI90 / CRI95	CRI98	CRI80	CRI90
CCT [K]	2700 / 3000 / 3500 / 4000	BVF / FBS / FZM / FSM / FSH	FAS	5600 / AGI3000, 3500, 4000	2700/3000/3500/4000	3000	2200	1800...2700
MacAdam	3	3 / 4 / 4 / 3 / 3	3	3	2	2	3	3

CRI - Color rendering, CCT - Color temperature, MacAdam - Color consistency

LIGHT DISTRIBUTION



TOLERANCES

Luminous flux tolerances: -/+ 5%

Consumption tolerance: -/+ 5% for TEC | -/+ 10% for TEC & KIT EM | -/+ 10% for ECO-DALI | -/+ 15% for ECO-DALI & KIT EM

BATTERY WARRANTY

TEC EM & ECO EM: 12 months warranty

TEC & ECO: -

MAXIMUM NO. OF LUMINAIRES ON A CIRCUIT

Power	Control type	Circuit Breaker Type						
		Amperage	B			C		
			20	16	10	20	16	10
12-21W	TEC		62	50	31	104	85	52
23-35W	TEC		30	24	14	51	40	24
42W	TEC		20	16	8	38	32	16
50W	TEC		18	15	7	35	29	15
12-14W	ECO		44	35	21	73	58	35
16-21W	ECO		40	32	18	66	53	30
23-42W	ECO		28	22	13	46	36	21
50W	ECO		21	16	10	35	26	16

RISK GROUP

Standard (CRI80)	RG1
FOOD (BVF, FBS, FSM)	RG1
FOOD <20W (FZM, FSH)	RG2 (dthr=1.8m)
FOOD >20W (FZM, FSH)	RG2 (dthr=2.2m)
FAS	RG1
AMB2200	RG1
ART	RG1
AGI	RG1
CRI90	RG1
CRI95	RG1
SUNSET	RG1
ENT	RG1

RG1

The evaluation of photobiological safety is carried out according to the standard IEC 62471:2008 ("Photobiological safety of lamps and lamp systems"). Following the definition of the risk grouping system of the mentioned IEC standard, the LEDs mounted on this family fall into the class "Low Risk (RG1 – No photobiological hazard under normal behavioral limitations)". Under real circumstances (regarding exposure time, pupils, observation distance), it is assumed that there is no endangerment to the eye from these devices. As a matter of principle, however, it should be mentioned that intense light sources have a high secondary exposure potential due to their blinding effect.

RG2

The evaluation of photobiological safety is carried out according to the standard IEC 62471:2008 ("Photobiological safety of lamps and lamp systems"). Following the definition of the risk grouping system of the mentioned IEC standard, the LEDs mounted on this family fall into the class "Moderate Risk (RG2)". Under real circumstances (regarding exposure time, pupils, observation distance), it is assumed that there is no endangerment to the eye from these devices. As a matter of principle, however, it should be mentioned that intense light sources have a high secondary exposure potential due to their blinding effect.

ACCESSORIES

Article Number

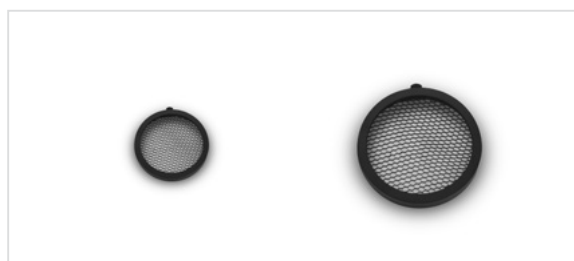
	Interior diameter	Color
	70, 110mm	Black
16400 GT1 BarnDoor/70mm/TulipS/B	General length	Compatibility
16409 GT1 BarnDoor/110mm/TulipL/B	96, 116mm	Tulip S, L
	Useful length	
	76, 100mm	



	Interior diameter	Color
	70, 110mm	Black
16403 GT1 DeepFront/70mm/TulipS/B	General length	Compatibility
16412 GT1 DeepFront/110mm/TulipL/B	70mm	Tulip S, L
	Useful length	
	55mm	



	Interior diameter	Color
	70, 110mm	Black
16406 GT1 HoneyComb/70mm/TulipS/B	General length	Compatibility
16415 GT1 HoneyComb/110mm/TulipL/B	70mm	Tulip S, L



SKU SPECIFICATIONS

Product Code	Dimensions (mm)	CCT (K)	Lumens (lm)	Power (W)	Eff. (lm/watt)	Lens Angle (°)
CRI 80						
264400 TulipS S34014R/2700/14W/80/A15	Ø70x200x264mm±1mm	2700	1200	14W	86	15°
264401 TulipS S34014R/3000/14W/80/A15	Ø70x200x264mm±1mm	3000	1215	14W	87	15°
264402 TulipS S34014R/3500/14W/80/A15	Ø70x200x264mm±1mm	3500	1245	14W	89	15°
264403 TulipS S34014R/4000/14W/80/A15	Ø70x200x264mm±1mm	4000	1270	14W	91	15°
264404 TulipS S34014R/2700/14W/80/A24	Ø70x200x264mm±1mm	2700	1200	14W	86	24°
264405 TulipS S34014R/3000/14W/80/A24	Ø70x200x264mm±1mm	3000	1215	14W	87	24°
264406 TulipS S34014R/3500/14W/80/A24	Ø70x200x264mm±1mm	3500	1245	14W	89	24°
264407 TulipS S34014R/4000/14W/80/A24	Ø70x200x264mm±1mm	4000	1270	14W	91	24°
264408 TulipS S34014R/2700/14W/80/A38	Ø70x200x264mm±1mm	2700	1200	14W	86	38°
264409 TulipS S34014R/3000/14W/80/A38	Ø70x200x264mm±1mm	3000	1215	14W	87	38°
264410 TulipS S34014R/3500/14W/80/A38	Ø70x200x264mm±1mm	3500	1245	14W	89	38°
264411 TulipS S34014R/4000/14W/80/A38	Ø70x200x264mm±1mm	4000	1270	14W	91	38°
264412 TulipS S34014R/2700/14W/80/A60	Ø70x200x264mm±1mm	2700	1200	14W	86	60°
264413 TulipS S34014R/3000/14W/80/A60	Ø70x200x264mm±1mm	3000	1215	14W	87	60°
264414 TulipS S34014R/3500/14W/80/A60	Ø70x200x264mm±1mm	3500	1245	14W	89	60°
264415 TulipS S34014R/4000/14W/80/A60	Ø70x200x264mm±1mm	4000	1270	14W	91	60°
264416 TulipS S34014R/2700/20W/80/A15	Ø70x200x264mm±1mm	2700	1650	20W	83	15°
264417 TulipS S34014R/3000/20W/80/A15	Ø70x200x264mm±1mm	3000	1665	20W	84	15°
264418 TulipS S34014R/3500/20W/80/A15	Ø70x200x264mm±1mm	3500	1710	20W	86	15°
264419 TulipS S34014R/4000/20W/80/A15	Ø70x200x264mm±1mm	4000	1745	20W	88	15°
264420 TulipS S34014R/2700/20W/80/A24	Ø70x200x264mm±1mm	2700	1650	20W	83	24°
264421 TulipS S34014R/3000/20W/80/A24	Ø70x200x264mm±1mm	3000	1665	20W	84	24°
264422 TulipS S34014R/3500/20W/80/A24	Ø70x200x264mm±1mm	3500	1710	20W	86	24°
264423 TulipS S34014R/4000/20W/80/A24	Ø70x200x264mm±1mm	4000	1745	20W	88	24°
264424 TulipS S34014R/2700/20W/80/A38	Ø70x200x264mm±1mm	2700	1650	20W	83	38°
264425 TulipS S34014R/3000/20W/80/A38	Ø70x200x264mm±1mm	3000	1665	20W	84	38°
264426 TulipS S34014R/3500/20W/80/A38	Ø70x200x264mm±1mm	3500	1710	20W	86	38°
264427 TulipS S34014R/4000/20W/80/A38	Ø70x200x264mm±1mm	4000	1745	20W	88	38°
264428 TulipS S34014R/2700/20W/80/A60	Ø70x200x264mm±1mm	2700	1650	20W	83	60°
264429 TulipS S34014R/3000/20W/80/A60	Ø70x200x264mm±1mm	3000	1665	20W	84	60°
264430 TulipS S34014R/3500/20W/80/A60	Ø70x200x264mm±1mm	3500	1710	20W	86	60°
264431 TulipS S34014R/4000/20W/80/A60	Ø70x200x264mm±1mm	4000	1745	20W	88	60°
264468 TulipL S34017R/2700/14W/80/A15	Ø110x240x279mm±1mm	2700	1440	14W	103	15°
264469 TulipL S34017R/3000/14W/80/A15	Ø110x240x279mm±1mm	3000	1455	14W	104	15°
264470 TulipL S34017R/3500/14W/80/A15	Ø110x240x279mm±1mm	3500	1495	14W	107	15°
264471 TulipL S34017R/4000/14W/80/A15	Ø110x240x279mm±1mm	4000	1525	14W	109	15°
264472 TulipL S34017R/2700/14W/80/A30	Ø110x240x279mm±1mm	2700	1440	14W	103	30°
264473 TulipL S34017R/3000/14W/80/A30	Ø110x240x279mm±1mm	3000	1455	14W	104	30°
264474 TulipL S34017R/3500/14W/80/A30	Ø110x240x279mm±1mm	3500	1495	14W	107	30°
264475 TulipL S34017R/4000/14W/80/A30	Ø110x240x279mm±1mm	4000	1525	14W	109	30°
264476 TulipL S34017R/2700/14W/80/A45	Ø110x240x279mm±1mm	2700	1440	14W	103	45°
264477 TulipL S34017R/3000/14W/80/A45	Ø110x240x279mm±1mm	3000	1455	14W	104	45°
264478 TulipL S34017R/3500/14W/80/A45	Ø110x240x279mm±1mm	3500	1495	14W	107	45°
264479 TulipL S34017R/4000/14W/80/A45	Ø110x240x279mm±1mm	4000	1525	14W	109	45°
264480 TulipL S34017R/2700/14W/80/A60	Ø110x240x279mm±1mm	2700	1440	14W	103	60°
264481 TulipL S34017R/3000/14W/80/A60	Ø110x240x279mm±1mm	3000	1455	14W	104	60°
264482 TulipL S34017R/3500/14W/80/A60	Ø110x240x279mm±1mm	3500	1495	14W	107	60°
264483 TulipL S34017R/4000/14W/80/A60	Ø110x240x279mm±1mm	4000	1525	14W	109	60°
264484 TulipL S34017R/2700/20W/80/A15	Ø110x240x279mm±1mm	2700	2010	20W	101	15°
264485 TulipL S34017R/3000/20W/80/A15	Ø110x240x279mm±1mm	3000	2025	20W	102	15°

SKU SPECIFICATIONS

Product Code	Dimensions (mm)	CCT (K)	Lumens (lm)	Power (W)	Eff. (lm/watt)	Lens Angle (°)
CRI 80						
264486 TulipL S34017R/3500/20W/80/A15	Ø110x240x279mm±1mm	3500	2080	20W	104	15°
264487 TulipL S34017R/4000/20W/80/A15	Ø110x240x279mm±1mm	4000	2120	20W	106	15°
264488 TulipL S34017R/2700/20W/80/A30	Ø110x240x279mm±1mm	2700	2010	20W	101	30°
264489 TulipL S34017R/3000/20W/80/A30	Ø110x240x279mm±1mm	3000	2025	20W	102	30°
264490 TulipL S34017R/3500/20W/80/A30	Ø110x240x279mm±1mm	3500	2080	20W	104	30°
264491 TulipL S34017R/4000/20W/80/A30	Ø110x240x279mm±1mm	4000	2120	20W	106	30°
264492 TulipL S34017R/2700/20W/80/A45	Ø110x240x279mm±1mm	2700	2010	20W	101	45°
264493 TulipL S34017R/3000/20W/80/A45	Ø110x240x279mm±1mm	3000	2025	20W	102	45°
264494 TulipL S34017R/3500/20W/80/A45	Ø110x240x279mm±1mm	3500	2080	20W	104	45°
264495 TulipL S34017R/4000/20W/80/A45	Ø110x240x279mm±1mm	4000	2120	20W	106	45°
264496 TulipL S34017R/2700/20W/80/A60	Ø110x240x279mm±1mm	2700	2010	20W	101	60°
264497 TulipL S34017R/3000/20W/80/A60	Ø110x240x279mm±1mm	3000	2025	20W	102	60°
264498 TulipL S34017R/3500/20W/80/A60	Ø110x240x279mm±1mm	3500	2080	20W	104	60°
264499 TulipL S34017R/4000/20W/80/A60	Ø110x240x279mm±1mm	4000	2120	20W	106	60°
264500 TulipL S34017R/2700/27W/80/A15	Ø110x240x279mm±1mm	2700	2605	27W	97	15°
264501 TulipL S34017R/3000/27W/80/A15	Ø110x240x279mm±1mm	3000	2630	27W	98	15°
264502 TulipL S34017R/3500/27W/80/A15	Ø110x240x279mm±1mm	3500	2700	27W	100	15°
264503 TulipL S34017R/4000/27W/80/A15	Ø110x240x279mm±1mm	4000	2755	27W	103	15°
264504 TulipL S34017R/2700/27W/80/A30	Ø110x240x279mm±1mm	2700	2605	27W	97	30°
264505 TulipL S34017R/3000/27W/80/A30	Ø110x240x279mm±1mm	3000	2630	27W	98	30°
264506 TulipL S34017R/3500/27W/80/A30	Ø110x240x279mm±1mm	3500	2700	27W	100	30°
264507 TulipL S34017R/4000/27W/80/A30	Ø110x240x279mm±1mm	4000	2755	27W	103	30°
264508 TulipL S34017R/2700/27W/80/A45	Ø110x240x279mm±1mm	2700	2605	27W	97	45°
264509 TulipL S34017R/3000/27W/80/A45	Ø110x240x279mm±1mm	3000	2630	27W	98	45°
264510 TulipL S34017R/3500/27W/80/A45	Ø110x240x279mm±1mm	3500	2700	27W	100	45°
264511 TulipL S34017R/4000/27W/80/A45	Ø110x240x279mm±1mm	4000	2755	27W	103	45°
264512 TulipL S34017R/2700/27W/80/A60	Ø110x240x279mm±1mm	2700	2605	27W	97	60°
264513 TulipL S34017R/3000/27W/80/A60	Ø110x240x279mm±1mm	3000	2630	27W	98	60°
264514 TulipL S34017R/3500/27W/80/A60	Ø110x240x279mm±1mm	3500	2700	27W	100	60°
264515 TulipL S34017R/4000/27W/80/A60	Ø110x240x279mm±1mm	4000	2755	27W	103	60°
264659 TulipL S34017R/BVF/14W/80/A15	Ø110x240x279mm±1mm	BVF	1225	14W	88	15°
264660 TulipL S34017R/FBS/14W/80/A15	Ø110x240x279mm±1mm	FBS	830	14W	60	15°
264661 TulipL S34017R/FZM/14W/80/A15	Ø110x240x279mm±1mm	FZM	800	14W	58	15°
264662 TulipL S34017R/FSM/14W/80/A15	Ø110x240x279mm±1mm	FSM	830	14W	60	15°
264663 TulipL S34017R/FSH/14W/80/A15	Ø110x240x279mm±1mm	FSH	1180	14W	85	15°
264664 TulipL S34017R/BVF/14W/80/A30	Ø110x240x279mm±1mm	BVF	1225	14W	88	30°
264665 TulipL S34017R/FBS/14W/80/A30	Ø110x240x279mm±1mm	FBS	830	14W	60	30°
264666 TulipL S34017R/FZM/14W/80/A30	Ø110x240x279mm±1mm	FZM	800	14W	58	30°
264667 TulipL S34017R/FSM/14W/80/A30	Ø110x240x279mm±1mm	FSM	830	14W	60	30°
264668 TulipL S34017R/FSH/14W/80/A30	Ø110x240x279mm±1mm	FSH	1180	14W	85	30°
264669 TulipL S34017R/BVF/14W/80/A45	Ø110x240x279mm±1mm	BVF	1225	14W	88	45°
264670 TulipL S34017R/FBS/14W/80/A45	Ø110x240x279mm±1mm	FBS	830	14W	60	45°
264671 TulipL S34017R/FZM/14W/80/A45	Ø110x240x279mm±1mm	FZM	800	14W	58	45°
264672 TulipL S34017R/FSM/14W/80/A45	Ø110x240x279mm±1mm	FSM	830	14W	60	45°
264673 TulipL S34017R/FSH/14W/80/A45	Ø110x240x279mm±1mm	FSH	1180	14W	85	45°
264674 TulipL S34017R/BVF/14W/80/A60	Ø110x240x279mm±1mm	BVF	1225	14W	88	60°
264675 TulipL S34017R/FBS/14W/80/A60	Ø110x240x279mm±1mm	FBS	830	14W	60	60°
264676 TulipL S34017R/FZM/14W/80/A60	Ø110x240x279mm±1mm	FZM	800	14W	58	60°
264677 TulipL S34017R/FSM/14W/80/A60	Ø110x240x279mm±1mm	FSM	830	14W	60	60°
264678 TulipL S34017R/FSH/14W/80/A60	Ø110x240x279mm±1mm	FSH	1180	14W	85	60°

SKU SPECIFICATIONS

Product Code	Dimensions (mm)	CCT (K)	Lumens (lm)	Power (W)	Eff. (lm/watt)	Lens Angle (°)
CRI 80						
264679 TulipL S34017R/BVF/20W/80/A15	Ø110x240x279mm±1mm	BVF	1675	20W	84	15°
264680 TulipL S34017R/FBS/20W/80/A15	Ø110x240x279mm±1mm	FBS	1155	20W	58	15°
264681 TulipL S34017R/FZM/20W/80/A15	Ø110x240x279mm±1mm	FZM	1105	20W	56	15°
264682 TulipL S34017R/FSM/20W/80/A15	Ø110x240x279mm±1mm	FSM	1130	20W	57	15°
264683 TulipL S34017R/FSH/20W/80/A15	Ø110x240x279mm±1mm	FSH	1640	20W	82	15°
264684 TulipL S34017R/BVF/20W/80/A30	Ø110x240x279mm±1mm	BVF	1675	20W	84	30°
264685 TulipL S34017R/FBS/20W/80/A30	Ø110x240x279mm±1mm	FBS	1155	20W	58	30°
264686 TulipL S34017R/FZM/20W/80/A30	Ø110x240x279mm±1mm	FZM	1105	20W	56	30°
264687 TulipL S34017R/FSM/20W/80/A30	Ø110x240x279mm±1mm	FSM	1130	20W	57	30°
264688 TulipL S34017R/FSH/20W/80/A30	Ø110x240x279mm±1mm	FSH	1640	20W	82	30°
264689 TulipL S34017R/BVF/20W/80/A45	Ø110x240x279mm±1mm	BVF	1675	20W	84	45°
264690 TulipL S34017R/FBS/20W/80/A45	Ø110x240x279mm±1mm	FBS	1155	20W	58	45°
264691 TulipL S34017R/FZM/20W/80/A45	Ø110x240x279mm±1mm	FZM	1105	20W	56	45°
264692 TulipL S34017R/FSM/20W/80/A45	Ø110x240x279mm±1mm	FSM	1130	20W	57	45°
264693 TulipL S34017R/FSH/20W/80/A45	Ø110x240x279mm±1mm	FSH	1640	20W	82	45°
264694 TulipL S34017R/BVF/20W/80/A60	Ø110x240x279mm±1mm	BVF	1675	20W	84	60°
264695 TulipL S34017R/FBS/20W/80/A60	Ø110x240x279mm±1mm	FBS	1155	20W	58	60°
264696 TulipL S34017R/FZM/20W/80/A60	Ø110x240x279mm±1mm	FZM	1105	20W	56	60°
264697 TulipL S34017R/FSM/20W/80/A60	Ø110x240x279mm±1mm	FSM	1130	20W	57	60°
264698 TulipL S34017R/FSH/20W/80/A60	Ø110x240x279mm±1mm	FSH	1640	20W	82	60°
264699 TulipL S34017R/BVF/27W/80/A15	Ø110x240x279mm±1mm	BVF	2220	27W	83	15°
264700 TulipL S34017R/FBS/27W/80/A15	Ø110x240x279mm±1mm	FBS	1515	27W	57	15°
264701 TulipL S34017R/FZM/27W/80/A15	Ø110x240x279mm±1mm	FZM	1455	27W	54	15°
264702 TulipL S34017R/FSM/27W/80/A15	Ø110x240x279mm±1mm	FSM	1480	27W	55	15°
264703 TulipL S34017R/FSH/27W/80/A15	Ø110x240x279mm±1mm	FSH	2170	27W	81	15°
264704 TulipL S34017R/BVF/27W/80/A30	Ø110x240x279mm±1mm	BVF	2220	27W	83	30°
264705 TulipL S34017R/FBS/27W/80/A30	Ø110x240x279mm±1mm	FBS	1515	27W	57	30°
264706 TulipL S34017R/FZM/27W/80/A30	Ø110x240x279mm±1mm	FZM	1455	27W	54	30°
264707 TulipL S34017R/FSM/27W/80/A30	Ø110x240x279mm±1mm	FSM	1480	27W	55	30°
264708 TulipL S34017R/FSH/27W/80/A30	Ø110x240x279mm±1mm	FSH	2170	27W	81	30°
264709 TulipL S34017R/BVF/27W/80/A45	Ø110x240x279mm±1mm	BVF	2220	27W	83	45°
264710 TulipL S34017R/FBS/27W/80/A45	Ø110x240x279mm±1mm	FBS	1515	27W	57	45°
264711 TulipL S34017R/FZM/27W/80/A45	Ø110x240x279mm±1mm	FZM	1455	27W	54	45°
264712 TulipL S34017R/FSM/27W/80/A45	Ø110x240x279mm±1mm	FSM	1480	27W	55	45°
264713 TulipL S34017R/FSH/27W/80/A45	Ø110x240x279mm±1mm	FSH	2170	27W	81	45°
264714 TulipL S34017R/BVF/27W/80/A60	Ø110x240x279mm±1mm	BVF	2220	27W	83	60°
264715 TulipL S34017R/FBS/27W/80/A60	Ø110x240x279mm±1mm	FBS	1515	27W	57	60°
264716 TulipL S34017R/FZM/27W/80/A60	Ø110x240x279mm±1mm	FZM	1455	27W	54	60°
264717 TulipL S34017R/FSM/27W/80/A60	Ø110x240x279mm±1mm	FSM	1480	27W	55	60°
264718 TulipL S34017R/FSH/27W/80/A60	Ø110x240x279mm±1mm	FSH	2170	27W	81	60°
264719 TulipS S34014R/AMB2200/14W/80/A15	Ø70x200x264mm±1mm	AMB2200	915	14W	66	15°
264720 TulipS S34014R/AMB2200/14W/80/A24	Ø70x200x264mm±1mm	AMB2200	915	14W	66	24°
264721 TulipS S34014R/AMB2200/14W/80/A38	Ø70x200x264mm±1mm	AMB2200	915	14W	66	38°
264722 TulipS S34014R/AMB2200/14W/80/A60	Ø70x200x264mm±1mm	AMB2200	915	14W	66	60°
264723 TulipS S34014R/AMB2200/20W/80/A15	Ø70x200x264mm±1mm	AMB2200	1270	20W	64	15°
264724 TulipS S34014R/AMB2200/20W/80/A24	Ø70x200x264mm±1mm	AMB2200	1270	20W	64	24°
264725 TulipS S34014R/AMB2200/20W/80/A38	Ø70x200x264mm±1mm	AMB2200	1270	20W	64	38°
264726 TulipS S34014R/AMB2200/20W/80/A60	Ø70x200x264mm±1mm	AMB2200	1270	20W	64	60°
264727 TulipL S34017R/AMB2200/14W/80/A15	Ø110x240x279mm±1mm	AMB2200	1020	14W	73	15°
264728 TulipL S34017R/AMB2200/14W/80/A30	Ø110x240x279mm±1mm	AMB2200	1020	14W	73	30°

SKU SPECIFICATIONS

Product Code	Dimensions (mm)	CCT (K)	Lumens (lm)	Power (W)	Eff. (lm/watt)	Lens Angle (°)
CRI 80						
264729 TulipL S34017R/AMB2200/14W/80/A45	Ø110x240x279mm±1mm	AMB2200	1020	14W	73	45°
264730 TulipL S34017R/AMB2200/14W/80/A60	Ø110x240x279mm±1mm	AMB2200	1020	14W	73	60°
264731 TulipL S34017R/AMB2200/20W/80/A15	Ø110x240x279mm±1mm	AMB2200	1410	20W	71	15°
264732 TulipL S34017R/AMB2200/20W/80/A30	Ø110x240x279mm±1mm	AMB2200	1410	20W	71	30°
264733 TulipL S34017R/AMB2200/20W/80/A45	Ø110x240x279mm±1mm	AMB2200	1410	20W	71	45°
264734 TulipL S34017R/AMB2200/20W/80/A60	Ø110x240x279mm±1mm	AMB2200	1410	20W	71	60°
264735 TulipL S34017R/AMB2200/27W/80/A15	Ø110x240x279mm±1mm	AMB2200	1870	27W	70	15°
264736 TulipL S34017R/AMB2200/27W/80/A30	Ø110x240x279mm±1mm	AMB2200	1870	27W	70	30°
264737 TulipL S34017R/AMB2200/27W/80/A45	Ø110x240x279mm±1mm	AMB2200	1870	27W	70	45°
264738 TulipL S34017R/AMB2200/27W/80/A60	Ø110x240x279mm±1mm	AMB2200	1870	27W	70	60°
264823 TulipL S34017R/2700/35W/80/A15	Ø110x240x279mm±1mm	2700	3425	35W	98	15°
264824 TulipL S34017R/3000/35W/80/A15	Ø110x240x279mm±1mm	3000	3455	35W	99	15°
264825 TulipL S34017R/3500/35W/80/A15	Ø110x240x279mm±1mm	3500	3545	35W	102	15°
264826 TulipL S34017R/4000/35W/80/A15	Ø110x240x279mm±1mm	4000	3620	35W	104	15°
264827 TulipL S34017R/2700/35W/80/A30	Ø110x240x279mm±1mm	2700	3425	35W	98	30°
264828 TulipL S34017R/3000/35W/80/A30	Ø110x240x279mm±1mm	3000	3455	35W	99	30°
264829 TulipL S34017R/3500/35W/80/A30	Ø110x240x279mm±1mm	3500	3545	35W	102	30°
264830 TulipL S34017R/4000/35W/80/A30	Ø110x240x279mm±1mm	4000	3620	35W	104	30°
264831 TulipL S34017R/2700/35W/80/A45	Ø110x240x279mm±1mm	2700	3425	35W	98	45°
264832 TulipL S34017R/3000/35W/80/A45	Ø110x240x279mm±1mm	3000	3455	35W	99	45°
264833 TulipL S34017R/3500/35W/80/A45	Ø110x240x279mm±1mm	3500	3545	35W	102	45°
264834 TulipL S34017R/4000/35W/80/A45	Ø110x240x279mm±1mm	4000	3620	35W	104	45°
264835 TulipL S34017R/2700/35W/80/A60	Ø110x240x279mm±1mm	2700	3425	35W	98	60°
264836 TulipL S34017R/3000/35W/80/A60	Ø110x240x279mm±1mm	3000	3455	35W	99	60°
264837 TulipL S34017R/3500/35W/80/A60	Ø110x240x279mm±1mm	3500	3545	35W	102	60°
264838 TulipL S34017R/4000/35W/80/A60	Ø110x240x279mm±1mm	4000	3620	35W	104	60°
264819 TulipL S34017R/AMB2200/35W/80/A15	Ø110x240x279mm±1mm	AMB2200	2585	35W	74	15°
264820 TulipL S34017R/AMB2200/35W/80/A30	Ø110x240x279mm±1mm	AMB2200	2585	35W	74	30°
264821 TulipL S34017R/AMB2200/35W/80/A45	Ø110x240x279mm±1mm	AMB2200	2585	35W	74	45°
264822 TulipL S34017R/AMB2200/35W/80/A60	Ø110x240x279mm±1mm	AMB2200	2585	35W	74	60°
264851 TulipL S34017R/BVF/35W/80/A15	Ø110x240x279mm±1mm	BVF	3015	35W	87	15°
264852 TulipL S34017R/FBS/35W/80/A15	Ø110x240x279mm±1mm	FBS	2000	35W	58	15°
264853 TulipL S34017R/FZM/35W/80/A15	Ø110x240x279mm±1mm	FZM	2035	35W	59	15°
264854 TulipL S34017R/FSM/35W/80/A15	Ø110x240x279mm±1mm	FSM	2005	35W	58	15°
264855 TulipL S34017R/FSH/35W/80/A15	Ø110x240x279mm±1mm	FSH	3045	35W	87	15°
264856 TulipL S34017R/BVF/35W/80/A30	Ø110x240x279mm±1mm	BVF	3015	35W	87	30°
264857 TulipL S34017R/FBS/35W/80/A30	Ø110x240x279mm±1mm	FBS	2000	35W	58	30°
264858 TulipL S34017R/FZM/35W/80/A30	Ø110x240x279mm±1mm	FZM	2035	35W	59	30°
264859 TulipL S34017R/FSM/35W/80/A30	Ø110x240x279mm±1mm	FSM	2005	35W	58	30°
264860 TulipL S34017R/FSH/35W/80/A30	Ø110x240x279mm±1mm	FSH	3045	35W	87	30°
264861 TulipL S34017R/BVF/35W/80/A45	Ø110x240x279mm±1mm	BVF	3015	35W	87	45°
264862 TulipL S34017R/FBS/35W/80/A45	Ø110x240x279mm±1mm	FBS	2000	35W	58	45°
264863 TulipL S34017R/FZM/35W/80/A45	Ø110x240x279mm±1mm	FZM	2035	35W	59	45°
264864 TulipL S34017R/FSM/35W/80/A45	Ø110x240x279mm±1mm	FSM	2005	35W	58	45°
264865 TulipL S34017R/FSH/35W/80/A45	Ø110x240x279mm±1mm	FSH	3045	35W	87	45°
264866 TulipL S34017R/BVF/35W/80/A60	Ø110x240x279mm±1mm	BVF	3015	35W	87	60°
264867 TulipL S34017R/FBS/35W/80/A60	Ø110x240x279mm±1mm	FBS	2000	35W	58	60°
264868 TulipL S34017R/FZM/35W/80/A60	Ø110x240x279mm±1mm	FZM	2035	35W	59	60°
264869 TulipL S34017R/FSM/35W/80/A60	Ø110x240x279mm±1mm	FSM	2005	35W	58	60°
264870 TulipL S34017R/FSH/35W/80/A60	Ø110x240x279mm±1mm	FSH	3045	35W	87	60°

SKU SPECIFICATIONS

Product Code	Dimensions (mm)	CCT (K)	Lumens (lm)	Power (W)	Eff. (lm/watt)	Lens Angle (°)
CRI 90						
264839 TulipL S34017R/SUNSET/21W/90/A15	Ø110x240x279mm±1mm	SUNSET	1350	21W	65	15°
264840 TulipL S34017R/SUNSET/21W/90/A30	Ø110x240x279mm±1mm	SUNSET	1350	21W	65	30°
264841 TulipL S34017R/SUNSET/21W/90/A45	Ø110x240x279mm±1mm	SUNSET	1350	21W	65	45°
264842 TulipL S34017R/SUNSET/21W/90/A60	Ø110x240x279mm±1mm	SUNSET	1350	21W	65	60°
264895 TulipL S34017R/ENT5600/16W/90/A15	Ø110x240x279mm±1mm	ENT5600	1555	16W	98	15°
264896 TulipL S34017R/ENT5600/16W/90/A30	Ø110x240x279mm±1mm	ENT5600	1555	16W	98	30°
264897 TulipL S34017R/ENT5600/16W/90/A45	Ø110x240x279mm±1mm	ENT5600	1555	16W	98	45°
264898 TulipL S34017R/ENT5600/16W/90/A60	Ø110x240x279mm±1mm	ENT5600	1555	16W	98	60°
264899 TulipL S34017R/ENT5600/21W/90/A15	Ø110x240x279mm±1mm	ENT5600	2030	21W	97	15°
264900 TulipL S34017R/ENT5600/21W/90/A30	Ø110x240x279mm±1mm	ENT5600	2030	21W	97	30°
264901 TulipL S34017R/ENT5600/21W/90/A45	Ø110x240x279mm±1mm	ENT5600	2030	21W	97	45°
264902 TulipL S34017R/ENT5600/21W/90/A60	Ø110x240x279mm±1mm	ENT5600	2030	21W	97	60°
264903 TulipL S34017R/ENT5600/27W/90/A15	Ø110x240x279mm±1mm	ENT5600	2575	27W	96	15°
264904 TulipL S34017R/ENT5600/27W/90/A30	Ø110x240x279mm±1mm	ENT5600	2575	27W	96	30°
264905 TulipL S34017R/ENT5600/27W/90/A45	Ø110x240x279mm±1mm	ENT5600	2575	27W	96	45°
264906 TulipL S34017R/ENT5600/27W/90/A60	Ø110x240x279mm±1mm	ENT5600	2575	27W	96	60°
264907 TulipL S34017R/ENT5600/32W/90/A15	Ø110x240x279mm±1mm	ENT5600	3005	32W	94	15°
264908 TulipL S34017R/ENT5600/32W/90/A30	Ø110x240x279mm±1mm	ENT5600	3005	32W	94	30°
264909 TulipL S34017R/ENT5600/32W/90/A45	Ø110x240x279mm±1mm	ENT5600	3005	32W	94	45°
264910 TulipL S34017R/ENT5600/32W/90/A60	Ø110x240x279mm±1mm	ENT5600	3005	32W	94	60°
264911 TulipS S34014R/SUNSET/21W/90/A15	Ø70x200x264mm±1mm	SUNSET	1350	21W	65	15°
264912 TulipS S34014R/SUNSET/21W/90/A24	Ø70x200x264mm±1mm	SUNSET	1350	21W	65	24°
264913 TulipS S34014R/SUNSET/21W/90/A38	Ø70x200x264mm±1mm	SUNSET	1350	21W	65	38°
264914 TulipS S34014R/SUNSET/21W/90/A60	Ø70x200x264mm±1mm	SUNSET	1350	21W	65	60°
CRI 93						
264739 TulipS S34014R/AGI3000/14W/93/A15	Ø70x200x264mm±1mm	AGI3000	835	14W	60	15°
264740 TulipS S34014R/AGI3500/14W/93/A15	Ø70x200x264mm±1mm	AGI3500	885	14W	64	15°
264741 TulipS S34014R/AGI4000/14W/93/A15	Ø70x200x264mm±1mm	AGI4000	940	14W	68	15°
264742 TulipS S34014R/AGI3000/14W/93/A24	Ø70x200x264mm±1mm	AGI3000	835	14W	60	24°
264743 TulipS S34014R/AGI3500/14W/93/A24	Ø70x200x264mm±1mm	AGI3500	885	14W	64	24°
264744 TulipS S34014R/AGI4000/14W/93/A24	Ø70x200x264mm±1mm	AGI4000	940	14W	68	24°
264745 TulipS S34014R/AGI3000/14W/93/A38	Ø70x200x264mm±1mm	AGI3000	835	14W	60	38°
264746 TulipS S34014R/AGI3500/14W/93/A38	Ø70x200x264mm±1mm	AGI3500	885	14W	64	38°
264747 TulipS S34014R/AGI4000/14W/93/A38	Ø70x200x264mm±1mm	AGI4000	940	14W	68	38°
264748 TulipS S34014R/AGI3000/14W/93/A60	Ø70x200x264mm±1mm	AGI3000	835	14W	60	60°
264749 TulipS S34014R/AGI3500/14W/93/A60	Ø70x200x264mm±1mm	AGI3500	885	14W	64	60°
264750 TulipS S34014R/AGI4000/14W/93/A60	Ø70x200x264mm±1mm	AGI4000	940	14W	68	60°
264751 TulipS S34014R/AGI3000/20W/93/A15	Ø70x200x264mm±1mm	AGI3000	1080	20W	54	15°
264752 TulipS S34014R/AGI3500/20W/93/A15	Ø70x200x264mm±1mm	AGI3500	1145	20W	58	15°
264753 TulipS S34014R/AGI4000/20W/93/A15	Ø70x200x264mm±1mm	AGI4000	1220	20W	61	15°
264754 TulipS S34014R/AGI3000/20W/93/A24	Ø70x200x264mm±1mm	AGI3000	1080	20W	54	24°
264755 TulipS S34014R/AGI3500/20W/93/A24	Ø70x200x264mm±1mm	AGI3500	1145	20W	58	24°
264756 TulipS S34014R/AGI4000/20W/93/A24	Ø70x200x264mm±1mm	AGI4000	1220	20W	61	24°
264757 TulipS S34014R/AGI3000/20W/93/A38	Ø70x200x264mm±1mm	AGI3000	1080	20W	54	38°
264758 TulipS S34014R/AGI3500/20W/93/A38	Ø70x200x264mm±1mm	AGI3500	1145	20W	58	38°
264759 TulipS S34014R/AGI4000/20W/93/A38	Ø70x200x264mm±1mm	AGI4000	1220	20W	61	38°
264760 TulipS S34014R/AGI3000/20W/93/A60	Ø70x200x264mm±1mm	AGI3000	1080	20W	54	60°
264761 TulipS S34014R/AGI3500/20W/93/A60	Ø70x200x264mm±1mm	AGI3500	1145	20W	58	60°
264762 TulipS S34014R/AGI4000/20W/93/A60	Ø70x200x264mm±1mm	AGI4000	1220	20W	61	60°
264763 TulipL S34017R/AGI3000/14W/93/A15	Ø110x240x279mm±1mm	AGI3000	845	14W	61	15°

SKU SPECIFICATIONS

Product Code	Dimensions (mm)	CCT (K)	Lumens (lm)	Power (W)	Eff. (lm/watt)	Lens Angle (°)
CRI 93						
264764 TulipL S34017R/AGI3500/14W/93/A15	Ø110x240x279mm±1mm	AGI3500	900	14W	65	15°
264765 TulipL S34017R/AGI4000/14W/93/A15	Ø110x240x279mm±1mm	AGI4000	955	14W	69	15°
264766 TulipL S34017R/AGI3000/14W/93/A30	Ø110x240x279mm±1mm	AGI3000	845	14W	61	30°
264767 TulipL S34017R/AGI3500/14W/93/A30	Ø110x240x279mm±1mm	AGI3500	900	14W	65	30°
264768 TulipL S34017R/AGI4000/14W/93/A30	Ø110x240x279mm±1mm	AGI4000	955	14W	69	30°
264769 TulipL S34017R/AGI3000/14W/93/A45	Ø110x240x279mm±1mm	AGI3000	845	14W	61	45°
264770 TulipL S34017R/AGI3500/14W/93/A45	Ø110x240x279mm±1mm	AGI3500	900	14W	65	45°
264771 TulipL S34017R/AGI4000/14W/93/A45	Ø110x240x279mm±1mm	AGI4000	955	14W	69	45°
264772 TulipL S34017R/AGI3000/14W/93/A60	Ø110x240x279mm±1mm	AGI3000	845	14W	61	60°
264773 TulipL S34017R/AGI3500/14W/93/A60	Ø110x240x279mm±1mm	AGI3500	900	14W	65	60°
264774 TulipL S34017R/AGI4000/14W/93/A60	Ø110x240x279mm±1mm	AGI4000	955	14W	69	60°
264775 TulipL S34017R/AGI3000/20W/93/A15	Ø110x240x279mm±1mm	AGI3000	1200	20W	60	15°
264776 TulipL S34017R/AGI3500/20W/93/A15	Ø110x240x279mm±1mm	AGI3500	1275	20W	64	15°
264777 TulipL S34017R/AGI4000/20W/93/A15	Ø110x240x279mm±1mm	AGI4000	1355	20W	68	15°
264778 TulipL S34017R/AGI3000/20W/93/A30	Ø110x240x279mm±1mm	AGI3000	1200	20W	60	30°
264779 TulipL S34017R/AGI3500/20W/93/A30	Ø110x240x279mm±1mm	AGI3500	1275	20W	64	30°
264780 TulipL S34017R/AGI4000/20W/93/A30	Ø110x240x279mm±1mm	AGI4000	1355	20W	68	30°
264781 TulipL S34017R/AGI3000/20W/93/A45	Ø110x240x279mm±1mm	AGI3000	1200	20W	60	45°
264782 TulipL S34017R/AGI3500/20W/93/A45	Ø110x240x279mm±1mm	AGI3500	1275	20W	64	45°
264783 TulipL S34017R/AGI4000/20W/93/A45	Ø110x240x279mm±1mm	AGI4000	1355	20W	68	45°
264784 TulipL S34017R/AGI3000/20W/93/A60	Ø110x240x279mm±1mm	AGI3000	1200	20W	60	60°
264785 TulipL S34017R/AGI3500/20W/93/A60	Ø110x240x279mm±1mm	AGI3500	1275	20W	64	60°
264786 TulipL S34017R/AGI4000/20W/93/A60	Ø110x240x279mm±1mm	AGI4000	1355	20W	68	60°
264787 TulipL S34017R/AGI3000/27W/93/A15	Ø110x240x279mm±1mm	AGI3000	1505	27W	56	15°
264788 TulipL S34017R/AGI3500/27W/93/A15	Ø110x240x279mm±1mm	AGI3500	1595	27W	60	15°
264789 TulipL S34017R/AGI4000/27W/93/A15	Ø110x240x279mm±1mm	AGI4000	1700	27W	63	15°
264790 TulipL S34017R/AGI3000/27W/93/A30	Ø110x240x279mm±1mm	AGI3000	1505	27W	56	30°
264791 TulipL S34017R/AGI3500/27W/93/A30	Ø110x240x279mm±1mm	AGI3500	1595	27W	60	30°
264792 TulipL S34017R/AGI4000/27W/93/A30	Ø110x240x279mm±1mm	AGI4000	1700	27W	63	30°
264793 TulipL S34017R/AGI3000/27W/93/A45	Ø110x240x279mm±1mm	AGI3000	1505	27W	56	45°
264794 TulipL S34017R/AGI3500/27W/93/A45	Ø110x240x279mm±1mm	AGI3500	1595	27W	60	45°
264795 TulipL S34017R/AGI4000/27W/93/A45	Ø110x240x279mm±1mm	AGI4000	1700	27W	63	45°
264796 TulipL S34017R/AGI3000/27W/93/A60	Ø110x240x279mm±1mm	AGI3000	1505	27W	56	60°
264797 TulipL S34017R/AGI3500/27W/93/A60	Ø110x240x279mm±1mm	AGI3500	1595	27W	60	60°
264798 TulipL S34017R/AGI4000/27W/93/A60	Ø110x240x279mm±1mm	AGI4000	1700	27W	63	60°
264871 TulipL S34017R/AGI3000/35W/93/A15	Ø110x240x279mm±1mm	AGI3000	1865	35W	54	15°
264872 TulipL S34017R/AGI3500/35W/93/A15	Ø110x240x279mm±1mm	AGI3500	1980	35W	57	15°
264873 TulipL S34017R/AGI4000/35W/93/A15	Ø110x240x279mm±1mm	AGI4000	2105	35W	61	15°
264874 TulipL S34017R/AGI3000/35W/93/A30	Ø110x240x279mm±1mm	AGI3000	1865	35W	54	30°
264875 TulipL S34017R/AGI3500/35W/93/A30	Ø110x240x279mm±1mm	AGI3500	1980	35W	57	30°
264876 TulipL S34017R/AGI4000/35W/93/A30	Ø110x240x279mm±1mm	AGI4000	2105	35W	61	30°
264877 TulipL S34017R/AGI3000/35W/93/A45	Ø110x240x279mm±1mm	AGI3000	1865	35W	54	45°
264878 TulipL S34017R/AGI3500/35W/93/A45	Ø110x240x279mm±1mm	AGI3500	1980	35W	57	45°
264879 TulipL S34017R/AGI4000/35W/93/A45	Ø110x240x279mm±1mm	AGI4000	2105	35W	61	45°
264880 TulipL S34017R/AGI3000/35W/93/A60	Ø110x240x279mm±1mm	AGI3000	1865	35W	54	60°
264881 TulipL S34017R/AGI3500/35W/93/A60	Ø110x240x279mm±1mm	AGI3500	1980	35W	57	60°
264882 TulipL S34017R/AGI4000/35W/93/A60	Ø110x240x279mm±1mm	AGI4000	2105	35W	61	60°
CRI 95						
264799 TulipS S34014R/FAS/14W/95/A15	Ø70x200x264mm±1mm	FAS	1045	14W	75	15°
264800 TulipS S34014R/FAS/14W/95/A24	Ø70x200x264mm±1mm	FAS	1045	14W	75	24°

SKU SPECIFICATIONS

Product Code	Dimensions (mm)	CCT (K)	Lumens (lm)	Power (W)	Eff. (lm/watt)	Lens Angle (°)
CRI 95						
264801 TulipS S34014R/FAS/14W/95/A38	Ø70x200x264mm±1mm	FAS	1045	14W	75	38°
264802 TulipS S34014R/FAS/14W/95/A60	Ø70x200x264mm±1mm	FAS	1045	14W	75	60°
264803 TulipS S34014R/FAS/20W/95/A15	Ø70x200x264mm±1mm	FAS	1430	20W	72	15°
264804 TulipS S34014R/FAS/20W/95/A24	Ø70x200x264mm±1mm	FAS	1430	20W	72	24°
264805 TulipS S34014R/FAS/20W/95/A38	Ø70x200x264mm±1mm	FAS	1430	20W	72	38°
264806 TulipS S34014R/FAS/20W/95/A60	Ø70x200x264mm±1mm	FAS	1430	20W	72	60°
264807 TulipL S34017R/FAS/14W/95/A15	Ø110x240x279mm±1mm	FAS	1165	14W	84	15°
264808 TulipL S34017R/FAS/14W/95/A30	Ø110x240x279mm±1mm	FAS	1165	14W	84	30°
264809 TulipL S34017R/FAS/14W/95/A45	Ø110x240x279mm±1mm	FAS	1165	14W	84	45°
264810 TulipL S34017R/FAS/14W/95/A60	Ø110x240x279mm±1mm	FAS	1165	14W	84	60°
264811 TulipL S34017R/FAS/20W/95/A15	Ø110x240x279mm±1mm	FAS	1610	20W	81	15°
264812 TulipL S34017R/FAS/20W/95/A30	Ø110x240x279mm±1mm	FAS	1610	20W	81	30°
264813 TulipL S34017R/FAS/20W/95/A45	Ø110x240x279mm±1mm	FAS	1610	20W	81	45°
264814 TulipL S34017R/FAS/20W/95/A60	Ø110x240x279mm±1mm	FAS	1610	20W	81	60°
264815 TulipL S34017R/FAS/27W/95/A15	Ø110x240x279mm±1mm	FAS	2120	27W	79	15°
264816 TulipL S34017R/FAS/27W/95/A30	Ø110x240x279mm±1mm	FAS	2120	27W	79	30°
264817 TulipL S34017R/FAS/27W/95/A45	Ø110x240x279mm±1mm	FAS	2120	27W	79	45°
264818 TulipL S34017R/FAS/27W/95/A60	Ø110x240x279mm±1mm	FAS	2120	27W	79	60°
264883 TulipL S34017R/FAS/35W/95/A15	Ø110x240x279mm±1mm	FAS	2875	35W	83	15°
264884 TulipL S34017R/FAS/35W/95/A30	Ø110x240x279mm±1mm	FAS	2875	35W	83	30°
264885 TulipL S34017R/FAS/35W/95/A45	Ø110x240x279mm±1mm	FAS	2875	35W	83	45°
264886 TulipL S34017R/FAS/35W/95/A60	Ø110x240x279mm±1mm	FAS	2875	35W	83	60°
CRI 97						
264923 TulipL S34017R/ENT5600/16W/97/A15	Ø110x240x279mm±1mm	ENT5600	1385	16W	87	15°
264924 TulipL S34017R/ENT5600/16W/97/A30	Ø110x240x279mm±1mm	ENT5600	1385	16W	87	30°
264925 TulipL S34017R/ENT5600/16W/97/A45	Ø110x240x279mm±1mm	ENT5600	1385	16W	87	45°
264926 TulipL S34017R/ENT5600/16W/97/A60	Ø110x240x279mm±1mm	ENT5600	1385	16W	87	60°
264927 TulipL S34017R/ENT5600/21W/97/A15	Ø110x240x279mm±1mm	ENT5600	1825	21W	87	15°
264928 TulipL S34017R/ENT5600/21W/97/A30	Ø110x240x279mm±1mm	ENT5600	1825	21W	87	30°
264929 TulipL S34017R/ENT5600/21W/97/A45	Ø110x240x279mm±1mm	ENT5600	1825	21W	87	45°
264930 TulipL S34017R/ENT5600/21W/97/A60	Ø110x240x279mm±1mm	ENT5600	1825	21W	87	60°
264931 TulipL S34017R/ENT5600/27W/97/A15	Ø110x240x279mm±1mm	ENT5600	2310	27W	86	15°
264932 TulipL S34017R/ENT5600/27W/97/A30	Ø110x240x279mm±1mm	ENT5600	2310	27W	86	30°
264933 TulipL S34017R/ENT5600/27W/97/A45	Ø110x240x279mm±1mm	ENT5600	2310	27W	86	45°
264934 TulipL S34017R/ENT5600/27W/97/A60	Ø110x240x279mm±1mm	ENT5600	2310	27W	86	60°
264935 TulipL S34017R/ENT5600/32W/97/A15	Ø110x240x279mm±1mm	ENT5600	2670	32W	84	15°
264936 TulipL S34017R/ENT5600/32W/97/A30	Ø110x240x279mm±1mm	ENT5600	2670	32W	84	30°
264937 TulipL S34017R/ENT5600/32W/97/A45	Ø110x240x279mm±1mm	ENT5600	2670	32W	84	45°
264938 TulipL S34017R/ENT5600/32W/97/A60	Ø110x240x279mm±1mm	ENT5600	2670	32W	84	60°
CRI 98						
264551 TulipL S34017R/ART3000/14W/98/A15	Ø110x240x279mm±1mm	ART3000	1160	14W	83	15°
264553 TulipL S34017R/ART3000/14W/98/A30	Ø110x240x279mm±1mm	ART3000	1160	14W	83	30°
264555 TulipL S34017R/ART3000/14W/98/A45	Ø110x240x279mm±1mm	ART3000	1160	14W	83	45°
264557 TulipL S34017R/ART3000/14W/98/A60	Ø110x240x279mm±1mm	ART3000	1160	14W	83	60°
264559 TulipL S34017R/ART3000/20W/98/A15	Ø110x240x279mm±1mm	ART3000	1600	20W	80	15°
264561 TulipL S34017R/ART3000/20W/98/A30	Ø110x240x279mm±1mm	ART3000	1600	20W	80	30°
264563 TulipL S34017R/ART3000/20W/98/A45	Ø110x240x279mm±1mm	ART3000	1600	20W	80	45°
264565 TulipL S34017R/ART3000/20W/98/A60	Ø110x240x279mm±1mm	ART3000	1600	20W	80	60°

SKU SPECIFICATIONS

Product Code	Dimensions (mm)	CCT (K)	Lumens (lm)	Power (W)	Eff. (lm/watt)	Lens Angle (°)
CRI 98						
264567 TulipL S34017R/ART3000/27W/98/A15	Ø110x240x279mm±1mm	ART3000	2095	27W	78	15°
264569 TulipL S34017R/ART3000/27W/98/A30	Ø110x240x279mm±1mm	ART3000	2095	27W	78	30°
264571 TulipL S34017R/ART3000/27W/98/A45	Ø110x240x279mm±1mm	ART3000	2095	27W	78	45°
264573 TulipL S34017R/ART3000/27W/98/A60	Ø110x240x279mm±1mm	ART3000	2095	27W	78	60°
264844 TulipL S34017R/ART3000/35W/98/A15	Ø110x240x279mm±1mm	ART3000	2650	35W	76	15°
264846 TulipL S34017R/ART3000/35W/98/A30	Ø110x240x279mm±1mm	ART3000	2650	35W	76	30°
264848 TulipL S34017R/ART3000/35W/98/A45	Ø110x240x279mm±1mm	ART3000	2650	35W	76	45°
264850 TulipL S34017R/ART3000/35W/98/A60	Ø110x240x279mm±1mm	ART3000	2650	35W	76	60°