



Juniper R IP54

RECESSED DOWNLIGHTS AND SPOTLIGHTS | TEC EM SERIES

Compact, round recessed spotlight provides wide-beam distribution for pleasant lighting and visual comfort in industrial working spaces, warehouses, refrigerated rooms. Suitable for general lighting purposes in dust and humid conditions thanks to its IP54 factor.

Housing available in signal white color, easy to complement any type of ceiling. Can be equipped with dimmer and emergency kit. Please see ECO and EM technical specifications.

Juniper R IP54 recessed luminaires come in several series, with various add-on and controls:

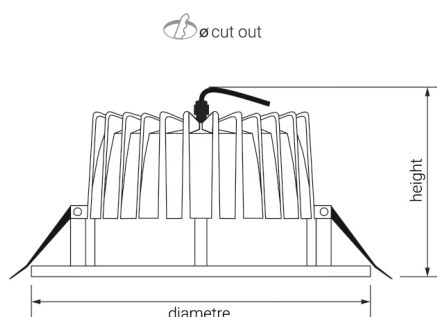
- Juniper R IP54 TEC – the standard for industrial spaces
- Juniper R IP54 ECO-DALI – with DALI controls for illumination adjustments
- Juniper R IP54 TEC EM – series with emergency lighting kit
- Juniper R IP54 ECO-DALI EM – with dimming and emergency kit

APPLICATION

Grocery & Supermarkets | Office | Healthcare | Hospitality | DIY

FEATURES & BENEFITS

- CRI \geq 80 standard
- Very long service life: 50,000 h at 90% luminous flux
- High efficiency of 125 lm/watt
- Lens angle of 75°
- With emergency kits of 1h and 3 h (for EM and ECO-DALI EM series)
- Dimmable (ECO or ECO-DALI EM series)



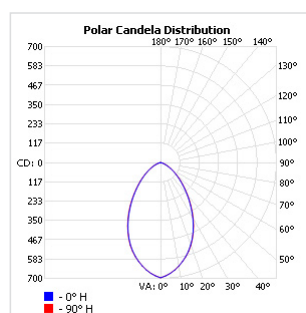
SPECIFICATIONS

Power consumption	9W, 17W	9W, 17W, 23W, 30W	9W, 17W, 23W, 30W, 40W
Dimensions	115x55xØ100±1mm	190x85xØ177±1mm	240x90xØ220±1mm
Weight	0.9 - 1.3Kg	1.5 - 1.8Kg	2.0 - 2.3Kg
Housing materials	Aluminium, Glass		
IK code	IK02		
THD (at 230V, 50Hz, Full load)	<20%		
Protection class	Safety class 1		
Operating temperature [°C]	+5C...+40C/+41F...+ 104F		
Operating humidity [%]	10 ÷ 85		
Power factor	≥0.95		
AC Input [Vac]	220 - 240 VAC		
Lens angle [°]	75°		
Lifespan [h]	50,000		
Housing color	○ RAL 9003 - signal white		
Lumen maintenance	L90/B10@50.000h at 25°C		
IP factor (front face)	IP54		
Control option	For more information please see JUNIPER R IP54 ECO-DALI EM datasheet		
Warranty [years]	5		
Storage temperature range [°C]	+5...+25C / +41F ... +77F		
Emergency option	EM1H, EM3H		

Light application	Standard
CRI	CRI 80
CCT [K]	3000K/4000K/5000K/6500K
MacAdam	4

CRI - Color rendering, CCT - Color temperature, MacAdam - Color consistency

LIGHT DISTRIBUTION



A75

RISK GROUP

RG1

The evaluation of photobiological safety is carried out according to the standard IEC 62471:2008 (“Photobiological safety of lamps and lamp systems”). Following the definition of the risk grouping system of the mentioned IEC standard, the LEDs mounted on this family fall into the class “Low Risk (RG1 – No photobiological hazard under normal behavioral limitations)”. Under real circumstances (regarding exposure time, pupils, observation distance), it is assumed that there is no endangerment to the eye from these devices. As a matter of principle, however, it should be mentioned that intense light sources have a high secondary exposure potential due to their blinding effect.

TOLERANCES

Luminous flux tolerances: -/+ 5%

Consumption tolerance: -/+ 5% for TEC | -/+ 10% for TEC & KIT EM | -/+ 10% for ECO-DALI | -/+ 15% for ECO-DALI & KIT EM

BATTERY WARRANTY

TEC EM & ECO EM: 12 months warranty

TEC & ECO: -

MAXIMUM NO. OF LUMINAIRES ON A CIRCUIT

Power	Driver type	Control type	Circuit Breaker Type						
			Amperage	B			C		
				20	16	10	20	16	10
< 50W		TEC		37	30	18	62	51	31
≥ 50W		TEC		37	30	18	62	51	31
< 80W		ECO		27	21	13	45	35	21

SKU SPECIFICATIONS

Product Code	Dimensions (mm)	CCT (K)	Lumens (lm)	Power (W)	Eff. (lm/watt)	Lens Angle (°)
CRI 80						
158044 JuniperR 100mm/3000/9W/80/A75/EM1H/IP54	D115xH55xØ100mm±1mm	3000	900	9W	100	75°
158045 JuniperR 100mm/4000/9W/80/A75/EM1H/IP54	D115xH55xØ100mm±1mm	4000	940	9W	105	75°
158046 JuniperR 100mm/5000/9W/80/A75/EM1H/IP54	D115xH55xØ100mm±1mm	5000	965	9W	108	75°
158047 JuniperR 100mm/6500/9W/80/A75/EM1H/IP54	D115xH55xØ100mm±1mm	6500	940	9W	105	75°
158048 JuniperR 177mm/3000/9W/80/A75/EM1H/IP54	D190xH85xØ177mm±1mm	3000	935	9W	104	75°
158049 JuniperR 177mm/4000/9W/80/A75/EM1H/IP54	D190xH85xØ177mm±1mm	4000	975	9W	109	75°
158050 JuniperR 177mm/5000/9W/80/A75/EM1H/IP54	D190xH85xØ177mm±1mm	5000	1000	9W	112	75°
158051 JuniperR 177mm/6500/9W/80/A75/EM1H/IP54	D190xH85xØ177mm±1mm	6500	975	9W	109	75°
158052 JuniperR 220mm/3000/9W/80/A75/EM1H/IP54	D240xH90xØ220mm±1mm	3000	940	9W	105	75°
158053 JuniperR 220mm/4000/9W/80/A75/EM1H/IP54	D240xH90xØ220mm±1mm	4000	980	9W	109	75°
158054 JuniperR 220mm/5000/9W/80/A75/EM1H/IP54	D240xH90xØ220mm±1mm	5000	1005	9W	112	75°
158055 JuniperR 220mm/6500/9W/80/A75/EM1H/IP54	D240xH90xØ220mm±1mm	6500	980	9W	109	75°
158056 JuniperR 100mm/3000/17W/80/A75/EM1H/IP54	D115xH55xØ100mm±1mm	3000	1800	17W	106	75°
158057 JuniperR 100mm/4000/17W/80/A75/EM1H/IP54	D115xH55xØ100mm±1mm	4000	1875	17W	111	75°
158058 JuniperR 100mm/5000/17W/80/A75/EM1H/IP54	D115xH55xØ100mm±1mm	5000	1925	17W	114	75°
158059 JuniperR 100mm/6500/17W/80/A75/EM1H/IP54	D115xH55xØ100mm±1mm	6500	1875	17W	111	75°
158060 JuniperR 177mm/3000/17W/80/A75/EM1H/IP54	D190xH85xØ177mm±1mm	3000	1950	17W	115	75°
158061 JuniperR 177mm/4000/17W/80/A75/EM1H/IP54	D190xH85xØ177mm±1mm	4000	2035	17W	120	75°
158062 JuniperR 177mm/5000/17W/80/A75/EM1H/IP54	D190xH85xØ177mm±1mm	5000	2090	17W	123	75°
158063 JuniperR 177mm/6500/17W/80/A75/EM1H/IP54	D190xH85xØ177mm±1mm	6500	2035	17W	120	75°
158064 JuniperR 220mm/3000/17W/80/A75/EM1H/IP54	D240xH90xØ220mm±1mm	3000	1955	17W	115	75°
158065 JuniperR 220mm/4000/17W/80/A75/EM1H/IP54	D240xH90xØ220mm±1mm	4000	2035	17W	120	75°
158066 JuniperR 220mm/5000/17W/80/A75/EM1H/IP54	D240xH90xØ220mm±1mm	5000	2090	17W	123	75°
158067 JuniperR 220mm/6500/17W/80/A75/EM1H/IP54	D240xH90xØ220mm±1mm	6500	2035	17W	120	75°
158068 JuniperR 177mm/3000/23W/80/A75/EM1H/IP54	D190xH85xØ177mm±1mm	3000	2665	23W	116	75°
158069 JuniperR 177mm/4000/23W/80/A75/EM1H/IP54	D190xH85xØ177mm±1mm	4000	2775	23W	121	75°
158070 JuniperR 177mm/5000/23W/80/A75/EM1H/IP54	D190xH85xØ177mm±1mm	5000	2850	23W	124	75°
158071 JuniperR 177mm/6500/23W/80/A75/EM1H/IP54	D190xH85xØ177mm±1mm	6500	2775	23W	121	75°
158072 JuniperR 220mm/3000/23W/80/A75/EM1H/IP54	D240xH90xØ220mm±1mm	3000	2595	23W	113	75°
158073 JuniperR 220mm/4000/23W/80/A75/EM1H/IP54	D240xH90xØ220mm±1mm	4000	2705	23W	118	75°
158074 JuniperR 220mm/5000/23W/80/A75/EM1H/IP54	D240xH90xØ220mm±1mm	5000	2775	23W	121	75°
158075 JuniperR 220mm/6500/23W/80/A75/EM1H/IP54	D240xH90xØ220mm±1mm	6500	2705	23W	118	75°
158076 JuniperR 177mm/3000/30W/80/A75/EM1H/IP54	D190xH85xØ177mm±1mm	3000	3575	30W	120	75°
158077 JuniperR 177mm/4000/30W/80/A75/EM1H/IP54	D190xH85xØ177mm±1mm	4000	3725	30W	125	75°
158078 JuniperR 177mm/5000/30W/80/A75/EM1H/IP54	D190xH85xØ177mm±1mm	5000	3825	30W	128	75°
158079 JuniperR 177mm/6500/30W/80/A75/EM1H/IP54	D190xH85xØ177mm±1mm	6500	3725	30W	125	75°
158080 JuniperR 220mm/3000/30W/80/A75/EM1H/IP54	D240xH90xØ220mm±1mm	3000	3590	30W	120	75°
158081 JuniperR 220mm/4000/30W/80/A75/EM1H/IP54	D240xH90xØ220mm±1mm	4000	3740	30W	125	75°
158082 JuniperR 220mm/5000/30W/80/A75/EM1H/IP54	D240xH90xØ220mm±1mm	5000	3840	30W	128	75°
158083 JuniperR 220mm/6500/30W/80/A75/EM1H/IP54	D240xH90xØ220mm±1mm	6500	3740	30W	125	75°
158084 JuniperR 220mm/3000/40W/80/A75/EM1H/IP54	D240xH90xØ220mm±1mm	3000	4785	40W	120	75°
158085 JuniperR 220mm/4000/40W/80/A75/EM1H/IP54	D240xH90xØ220mm±1mm	4000	4985	40W	125	75°
158086 JuniperR 220mm/5000/40W/80/A75/EM1H/IP54	D240xH90xØ220mm±1mm	5000	5120	40W	128	75°
158087 JuniperR 220mm/6500/40W/80/A75/EM1H/IP54	D240xH90xØ220mm±1mm	6500	4985	40W	125	75°
158088 JuniperR 100mm/3000/9W/80/A75/EM3H/IP54	D115xH55xØ100mm±1mm	3000	900	9W	100	75°
158089 JuniperR 100mm/4000/9W/80/A75/EM3H/IP54	D115xH55xØ100mm±1mm	4000	940	9W	105	75°
158090 JuniperR 100mm/5000/9W/80/A75/EM3H/IP54	D115xH55xØ100mm±1mm	5000	965	9W	108	75°
158091 JuniperR 100mm/6500/9W/80/A75/EM3H/IP54	D115xH55xØ100mm±1mm	6500	940	9W	105	75°
158092 JuniperR 177mm/3000/9W/80/A75/EM3H/IP54	D190xH85xØ177mm±1mm	3000	935	9W	104	75°
158093 JuniperR 177mm/4000/9W/80/A75/EM3H/IP54	D190xH85xØ177mm±1mm	4000	975	9W	109	75°

SKU SPECIFICATIONS

Product Code	Dimensions (mm)	CCT (K)	Lumens (lm)	Power (W)	Eff. (lm/watt)	Lens Angle (°)
CRI 80						
158094 JuniperR 177mm/5000/9W/80/A75/EM3H/IP54	D190xH85xØ177mm±1mm	5000	1000	9W	112	75°
158095 JuniperR 177mm/6500/9W/80/A75/EM3H/IP54	D190xH85xØ177mm±1mm	6500	975	9W	109	75°
158096 JuniperR 220mm/3000/9W/80/A75/EM3H/IP54	D240xH90xØ220mm±1mm	3000	940	9W	105	75°
158097 JuniperR 220mm/4000/9W/80/A75/EM3H/IP54	D240xH90xØ220mm±1mm	4000	980	9W	109	75°
158098 JuniperR 220mm/5000/9W/80/A75/EM3H/IP54	D240xH90xØ220mm±1mm	5000	1005	9W	112	75°
158099 JuniperR 220mm/6500/9W/80/A75/EM3H/IP54	D240xH90xØ220mm±1mm	6500	980	9W	109	75°
158100 JuniperR 100mm/3000/17W/80/A75/EM3H/IP54	D115xH55xØ100mm±1mm	3000	1800	17W	106	75°
158101 JuniperR 100mm/4000/17W/80/A75/EM3H/IP54	D115xH55xØ100mm±1mm	4000	1875	17W	111	75°
158102 JuniperR 100mm/5000/17W/80/A75/EM3H/IP54	D115xH55xØ100mm±1mm	5000	1925	17W	114	75°
158103 JuniperR 100mm/6500/17W/80/A75/EM3H/IP54	D115xH55xØ100mm±1mm	6500	1875	17W	111	75°
158104 JuniperR 177mm/3000/17W/80/A75/EM3H/IP54	D190xH85xØ177mm±1mm	3000	1950	17W	115	75°
158105 JuniperR 177mm/4000/17W/80/A75/EM3H/IP54	D190xH85xØ177mm±1mm	4000	2035	17W	120	75°
158106 JuniperR 177mm/5000/17W/80/A75/EM3H/IP54	D190xH85xØ177mm±1mm	5000	2090	17W	123	75°
158107 JuniperR 177mm/6500/17W/80/A75/EM3H/IP54	D190xH85xØ177mm±1mm	6500	2035	17W	120	75°
158108 JuniperR 220mm/3000/17W/80/A75/EM3H/IP54	D240xH90xØ220mm±1mm	3000	1955	17W	115	75°
158109 JuniperR 220mm/4000/17W/80/A75/EM3H/IP54	D240xH90xØ220mm±1mm	4000	2035	17W	120	75°
158110 JuniperR 220mm/5000/17W/80/A75/EM3H/IP54	D240xH90xØ220mm±1mm	5000	2090	17W	123	75°
158111 JuniperR 220mm/6500/17W/80/A75/EM3H/IP54	D240xH90xØ220mm±1mm	6500	2035	17W	120	75°
158112 JuniperR 177mm/3000/23W/80/A75/EM3H/IP54	D190xH85xØ177mm±1mm	3000	2665	23W	116	75°
158113 JuniperR 177mm/4000/23W/80/A75/EM3H/IP54	D190xH85xØ177mm±1mm	4000	2775	23W	121	75°
158114 JuniperR 177mm/5000/23W/80/A75/EM3H/IP54	D190xH85xØ177mm±1mm	5000	2850	23W	124	75°
158115 JuniperR 177mm/6500/23W/80/A75/EM3H/IP54	D190xH85xØ177mm±1mm	6500	2775	23W	121	75°
158116 JuniperR 220mm/3000/23W/80/A75/EM3H/IP54	D240xH90xØ220mm±1mm	3000	2595	23W	113	75°
158117 JuniperR 220mm/4000/23W/80/A75/EM3H/IP54	D240xH90xØ220mm±1mm	4000	2705	23W	118	75°
158118 JuniperR 220mm/5000/23W/80/A75/EM3H/IP54	D240xH90xØ220mm±1mm	5000	2775	23W	121	75°
158119 JuniperR 220mm/6500/23W/80/A75/EM3H/IP54	D240xH90xØ220mm±1mm	6500	2705	23W	118	75°
158120 JuniperR 177mm/3000/30W/80/A75/EM3H/IP54	D190xH85xØ177mm±1mm	3000	3575	30W	120	75°
158121 JuniperR 177mm/4000/30W/80/A75/EM3H/IP54	D190xH85xØ177mm±1mm	4000	3725	30W	125	75°
158122 JuniperR 177mm/5000/30W/80/A75/EM3H/IP54	D190xH85xØ177mm±1mm	5000	3825	30W	128	75°
158123 JuniperR 177mm/6500/30W/80/A75/EM3H/IP54	D190xH85xØ177mm±1mm	6500	3725	30W	125	75°
158124 JuniperR 220mm/3000/30W/80/A75/EM3H/IP54	D240xH90xØ220mm±1mm	3000	3590	30W	120	75°
158125 JuniperR 220mm/4000/30W/80/A75/EM3H/IP54	D240xH90xØ220mm±1mm	4000	3740	30W	125	75°
158126 JuniperR 220mm/5000/30W/80/A75/EM3H/IP54	D240xH90xØ220mm±1mm	5000	3840	30W	128	75°
158127 JuniperR 220mm/6500/30W/80/A75/EM3H/IP54	D240xH90xØ220mm±1mm	6500	3740	30W	125	75°
158128 JuniperR 220mm/3000/40W/80/A75/EM3H/IP54	D240xH90xØ220mm±1mm	3000	4785	40W	120	75°
158129 JuniperR 220mm/4000/40W/80/A75/EM3H/IP54	D240xH90xØ220mm±1mm	4000	4985	40W	125	75°
158130 JuniperR 220mm/5000/40W/80/A75/EM3H/IP54	D240xH90xØ220mm±1mm	5000	5120	40W	128	75°
158131 JuniperR 220mm/6500/40W/80/A75/EM3H/IP54	D240xH90xØ220mm±1mm	6500	4985	40W	125	75°

Technical specifications can be modified without prior notice. All information is property of Greentek Lighting. The presentation picture is for information purposes only. Latest document update: November 6, 2017 3:08 PM. www.greentek.eu