



## Sedona

### RECESSED DOWNLIGHTS AND SPOTLIGHTS | TEC EM SERIES

Round recessed LED downlight for general lighting and accent lighting with perfect glare control. Highly reflective aluminum finish for zero iridescence. Best for applications such as offices, showrooms, commercial areas, hospitals, hotels, airports. Housing available in three colors - signal white, jet black, white aluminum, easy to complement any type of ceiling

Sedona recessed downlight comes in several series, with various add-on and controls:

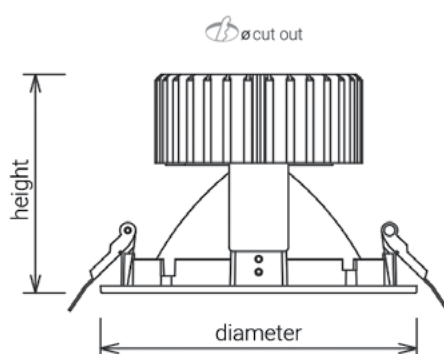
- Sedona TEC – the standard for a large number of spaces – offices, showrooms, restaurants
- Sedona ECO-DALI – with DALI controls for illumination adjustments
- Sedona TEC EM - with emergency lighting kit
- Sedona ECO-DALI EM – series with emergency lighting kit and dimming

### FEATURES & BENEFITS

- CRI  $\geq 80$  standard, but higher is available
- Very long service life: 50,000 h at 90% luminous flux
- High efficiency of 117 lm/watt
- 4 types of lens angle
- With emergency kits of 1h and 3 h (for EM series only)

### APPLICATION

Grocery & Supermarket | Retail | Office | Healthcare | Hospitality | DIY | Industrial & Logistic



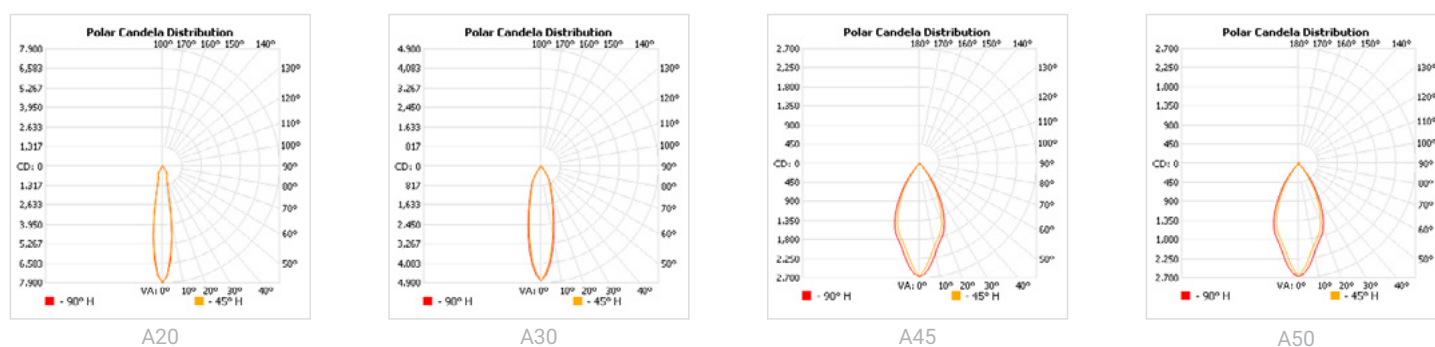
**SPECIFICATIONS**

Power consumption	14W, 20W, 27W, 35W, 42W
Dimensions	D124xH101mmxØ115mm±1mm - cut out Ø 115mm / D160xH111mmxØ145mm±1mm - cut out 145mm D180xH122mmxØ170mm±1mm - cut out 170mm / D220xH127mmxØ200mm-210mm±1mm - cut out 210mm
Weight	1.4 kg / 1.8 Kg
Housing materials	Aluminium, Glass
IK code	IK02
THD (at 230V, 50Hz, Full load)	<20%
Protection class	Safety class 1
Operating temperature [°C]	-20 ... +45 °C / -4F ... +113F
Operating humidity [%]	10 ÷ 85
Power factor	≥0.95
AC Input [Vac]	220 - 240 VAC
Lens angle [°]	20°, 30°, 45°, 50°
Lifespan [h]	50,000
Housing color	○ RAL 9003 - signal white ● RAL 9005 - jet black ● RAL 9006 - white aluminium
Lumen maintenance	L90/B10@50.000h at 25°C
IP factor (general)	IP20
Control option	For more information please see <b>SEDONA ECO-DALI EM</b> datasheet
Warranty [years]	5
Storage temperature range [°C]	-20...+55 / -4F ... +131F
Emergency option	EM1H, EM3H

Light application	Standard
CRI	CRI 80
CCT [K]	2700K/3000K/3500K/4000K
MacAdam	3

CRI - Color rendering, CCT - Color temperature, MacAdam - Color consistency

**LIGHT DISTRIBUTION**



SKU SPECIFICATIONS

Product Code	Dimensions (mm)	CCT (K)	Lumens (lm)	Power (W)	Eff. (lm/watt)	Lens Angle (°)
<b>CRI 80</b>						
145196 Sedona D32020/2700/14W/80/A50/EM1H	D124xH101mmxØ115mm±1mm	2700	1485	14W	107	50°
145196 Sedona D32020/2700/14W/80/A50/EM1H	D124xH101mmxØ115mm±1mm	3000	1500	14W	108	50°
145196 Sedona D32020/2700/14W/80/A50/EM1H	D124xH101mmxØ115mm±1mm	3500	1540	14W	110	50°
145196 Sedona D32020/2700/14W/80/A50/EM1H	D124xH101mmxØ115mm±1mm	4000	1570	14W	113	50°
145196 Sedona D32020/2700/14W/80/A50/EM1H	D124xH101mmxØ115mm±1mm	2700	2080	20W	104	50°
145196 Sedona D32020/2700/14W/80/A50/EM1H	D124xH101mmxØ115mm±1mm	3000	2100	20W	105	50°
145196 Sedona D32020/2700/14W/80/A50/EM1H	D124xH101mmxØ115mm±1mm	3500	2160	20W	108	50°
145196 Sedona D32020/2700/14W/80/A50/EM1H	D124xH101mmxØ115mm±1mm	4000	2200	20W	110	50°
145196 Sedona D32020/2700/14W/80/A50/EM1H	D124xH101mmxØ115mm±1mm	2700	2945	27W	110	50°
145196 Sedona D32020/2700/14W/80/A50/EM1H	D124xH101mmxØ115mm±1mm	3000	2970	27W	110	50°
145196 Sedona D32020/2700/14W/80/A50/EM1H	D124xH101mmxØ115mm±1mm	3500	3055	27W	114	50°
145196 Sedona D32020/2700/14W/80/A50/EM1H	D124xH101mmxØ115mm±1mm	4000	3135	27W	117	50°
145196 Sedona D32020/2700/14W/80/A50/EM1H	D124xH101mmxØ115mm±1mm	2700	3710	35W	106	50°
145196 Sedona D32020/2700/14W/80/A50/EM1H	D124xH101mmxØ115mm±1mm	3000	3745	35W	107	50°
145196 Sedona D32020/2700/14W/80/A50/EM1H	D124xH101mmxØ115mm±1mm	3500	3815	35W	109	50°
145196 Sedona D32020/2700/14W/80/A50/EM1H	D124xH101mmxØ115mm±1mm	4000	3920	35W	112	50°
145196 Sedona D32020/2700/14W/80/A50/EM1H	D124xH101mmxØ115mm±1mm	2700	4200	42W	100	50°
145196 Sedona D32020/2700/14W/80/A50/EM1H	D124xH101mmxØ115mm±1mm	3000	4200	42W	100	50°
145196 Sedona D32020/2700/14W/80/A50/EM1H	D124xH101mmxØ115mm±1mm	3500	4330	42W	103	50°
145219 Sedona D32020/4000/42W/80/A50/EM1H	D124xH101mmxØ115mm±1mm	4000	4455	42W	106	50°
145221 Sedona D32023/2700/14W/80/A50/EM1H	D160xH111mmxØ145mm±1mm	2700	1485	14W	107	50°
145222 Sedona D32023/3000/14W/80/A50/EM1H	D160xH111mmxØ145mm±1mm	3000	1500	14W	108	50°
145223 Sedona D32023/3500/14W/80/A50/EM1H	D160xH111mmxØ145mm±1mm	3500	1540	14W	110	50°
145224 Sedona D32023/4000/14W/80/A50/EM1H	D160xH111mmxØ145mm±1mm	4000	1570	14W	113	50°
145226 Sedona D32023/2700/20W/80/A50/EM1H	D160xH111mmxØ145mm±1mm	2700	2080	20W	104	50°
145227 Sedona D32023/3000/20W/80/A50/EM1H	D160xH111mmxØ145mm±1mm	3000	2100	20W	105	50°
145228 Sedona D32023/3500/20W/80/A50/EM1H	D160xH111mmxØ145mm±1mm	3500	2160	20W	108	50°
145229 Sedona D32023/4000/20W/80/A50/EM1H	D160xH111mmxØ145mm±1mm	4000	2200	20W	110	50°
145231 Sedona D32023/2700/27W/80/A50/EM1H	D160xH111mmxØ145mm±1mm	2700	2945	27W	110	50°
145232 Sedona D32023/3000/27W/80/A50/EM1H	D160xH111mmxØ145mm±1mm	3000	2970	27W	110	50°
145233 Sedona D32023/3500/27W/80/A50/EM1H	D160xH111mmxØ145mm±1mm	3500	3055	27W	114	50°
145234 Sedona D32023/4000/27W/80/A50/EM1H	D160xH111mmxØ145mm±1mm	4000	3135	27W	117	50°
145236 Sedona D32023/2700/35W/80/A50/EM1H	D160xH111mmxØ145mm±1mm	2700	3710	35W	106	50°
145237 Sedona D32023/3000/35W/80/A50/EM1H	D160xH111mmxØ145mm±1mm	3000	3745	35W	107	50°
145238 Sedona D32023/3500/35W/80/A50/EM1H	D160xH111mmxØ145mm±1mm	3500	3815	35W	109	50°
145239 Sedona D32023/4000/35W/80/A50/EM1H	D160xH111mmxØ145mm±1mm	4000	3920	35W	112	50°
145241 Sedona D32023/2700/42W/80/A50/EM1H	D160xH111mmxØ145mm±1mm	2700	4200	42W	100	50°
145242 Sedona D32023/3000/42W/80/A50/EM1H	D160xH111mmxØ145mm±1mm	3000	4200	42W	100	50°
145243 Sedona D32023/3500/42W/80/A50/EM1H	D160xH111mmxØ145mm±1mm	3500	4330	42W	103	50°
145244 Sedona D32023/4000/42W/80/A50/EM1H	D160xH111mmxØ145mm±1mm	4000	4455	42W	106	50°
145246 Sedona D32024/2700/14W/80/A45/EM1H	D180xH122mmxØ170mm±1mm	2700	1485	14W	107	45°
145247 Sedona D32024/3000/14W/80/A45/EM1H	D180xH122mmxØ170mm±1mm	3000	1500	14W	108	45°
145248 Sedona D32024/3500/14W/80/A45/EM1H	D180xH122mmxØ170mm±1mm	3500	1540	14W	110	45°
145249 Sedona D32024/4000/14W/80/A45/EM1H	D180xH122mmxØ170mm±1mm	4000	1570	14W	113	45°
145251 Sedona D32024/2700/20W/80/A45/EM1H	D180xH122mmxØ170mm±1mm	2700	2080	20W	104	45°
145252 Sedona D32024/3000/20W/80/A45/EM1H	D180xH122mmxØ170mm±1mm	3000	2100	20W	105	45°
145253 Sedona D32024/3500/20W/80/A45/EM1H	D180xH122mmxØ170mm±1mm	3500	2160	20W	108	45°
145254 Sedona D32024/4000/20W/80/A45/EM1H	D180xH122mmxØ170mm±1mm	4000	2200	20W	110	45°
145256 Sedona D32024/2700/27W/80/A45/EM1H	D180xH122mmxØ170mm±1mm	2700	2945	27W	110	45°
145257 Sedona D32024/3000/27W/80/A45/EM1H	D180xH122mmxØ170mm±1mm	3000	2970	27W	110	45°

SKU SPECIFICATIONS

Product Code	Dimensions (mm)	CCT (K)	Lumens (lm)	Power (W)	Eff. (lm/watt)	Lens Angle (°)
<b>CRI 80</b>						
145258 Sedona D32024/3500/27W/80/A45/EM1H	D180xH122mmxØ170mm±1mm	3500	3055	27W	114	45°
145259 Sedona D32024/4000/27W/80/A45/EM1H	D180xH122mmxØ170mm±1mm	4000	3135	27W	117	45°
145261 Sedona D32024/2700/35W/80/A45/EM1H	D180xH122mmxØ170mm±1mm	2700	3710	35W	106	45°
145262 Sedona D32024/3000/35W/80/A45/EM1H	D180xH122mmxØ170mm±1mm	3000	3745	35W	107	45°
145263 Sedona D32024/3500/35W/80/A45/EM1H	D180xH122mmxØ170mm±1mm	3500	3815	35W	109	45°
145264 Sedona D32024/4000/35W/80/A45/EM1H	D180xH122mmxØ170mm±1mm	4000	3920	35W	112	45°
145266 Sedona D32024/2700/42W/80/A45/EM1H	D180xH122mmxØ170mm±1mm	2700	4200	42W	100	45°
145267 Sedona D32024/3000/42W/80/A45/EM1H	D180xH122mmxØ170mm±1mm	3000	4200	42W	100	45°
145268 Sedona D32024/3500/42W/80/A45/EM1H	D180xH122mmxØ170mm±1mm	3500	4330	42W	103	45°
145269 Sedona D32024/4000/42W/80/A45/EM1H	D180xH122mmxØ170mm±1mm	4000	4455	42W	106	45°
145271 Sedona D32025/2700/14W/80/A50/EM1H	D220xH127mmxØ200mm-210mm±1mm	2700	1485	14W	107	50°
145272 Sedona D32025/3000/14W/80/A50/EM1H	D220xH127mmxØ200mm-210mm±1mm	3000	1500	14W	108	50°
145273 Sedona D32025/3500/14W/80/A50/EM1H	D220xH127mmxØ200mm-210mm±1mm	3500	1540	14W	110	50°
145274 Sedona D32025/4000/14W/80/A50/EM1H	D220xH127mmxØ200mm-210mm±1mm	4000	1570	14W	113	50°
145276 Sedona D32025/2700/20W/80/A50/EM1H	D220xH127mmxØ200mm-210mm±1mm	2700	2080	20W	104	50°
145277 Sedona D32025/3000/20W/80/A50/EM1H	D220xH127mmxØ200mm-210mm±1mm	3000	2100	20W	105	50°
145278 Sedona D32025/3500/20W/80/A50/EM1H	D220xH127mmxØ200mm-210mm±1mm	3500	2160	20W	108	50°
145279 Sedona D32025/4000/20W/80/A50/EM1H	D220xH127mmxØ200mm-210mm±1mm	4000	2200	20W	110	50°
145281 Sedona D32025/2700/27W/80/A50/EM1H	D220xH127mmxØ200mm-210mm±1mm	2700	2945	27W	110	50°
145282 Sedona D32025/3000/27W/80/A50/EM1H	D220xH127mmxØ200mm-210mm±1mm	3000	2970	27W	110	50°
145283 Sedona D32025/3500/27W/80/A50/EM1H	D220xH127mmxØ200mm-210mm±1mm	3500	3055	27W	114	50°
145284 Sedona D32025/4000/27W/80/A50/EM1H	D220xH127mmxØ200mm-210mm±1mm	4000	3135	27W	117	50°
145286 Sedona D32025/2700/35W/80/A50/EM1H	D220xH127mmxØ200mm-210mm±1mm	2700	3710	35W	106	50°
145287 Sedona D32025/3000/35W/80/A50/EM1H	D220xH127mmxØ200mm-210mm±1mm	3000	3745	35W	107	50°
145288 Sedona D32025/3500/35W/80/A50/EM1H	D220xH127mmxØ200mm-210mm±1mm	3500	3815	35W	109	50°
145289 Sedona D32025/4000/35W/80/A50/EM1H	D220xH127mmxØ200mm-210mm±1mm	4000	3920	35W	112	50°
145291 Sedona D32025/2700/42W/80/A50/EM1H	D220xH127mmxØ200mm-210mm±1mm	2700	4200	42W	100	50°
145292 Sedona D32025/3000/42W/80/A50/EM1H	D220xH127mmxØ200mm-210mm±1mm	3000	4200	42W	100	50°
145293 Sedona D32025/3500/42W/80/A50/EM1H	D220xH127mmxØ200mm-210mm±1mm	3500	4330	42W	103	50°
145294 Sedona D32025/4000/42W/80/A50/EM1H	D220xH127mmxØ200mm-210mm±1mm	4000	4455	42W	106	50°
145296 Sedona D32020/2700/14W/80/A50/EM3H	D124xH101mmxØ115mm±1mm	2700	1485	14W	107	50°
145297 Sedona D32020/3000/14W/80/A50/EM3H	D124xH101mmxØ115mm±1mm	3000	1500	14W	108	50°
145298 Sedona D32020/3500/14W/80/A50/EM3H	D124xH101mmxØ115mm±1mm	3500	1540	14W	110	50°
145299 Sedona D32020/4000/14W/80/A50/EM3H	D124xH101mmxØ115mm±1mm	4000	1570	14W	113	50°
145301 Sedona D32020/2700/20W/80/A50/EM3H	D124xH101mmxØ115mm±1mm	2700	2080	20W	104	50°
145302 Sedona D32020/3000/20W/80/A50/EM3H	D124xH101mmxØ115mm±1mm	3000	2100	20W	105	50°
145303 Sedona D32020/3500/20W/80/A50/EM3H	D124xH101mmxØ115mm±1mm	3500	2160	20W	108	50°
145304 Sedona D32020/4000/20W/80/A50/EM3H	D124xH101mmxØ115mm±1mm	4000	2200	20W	110	50°
145306 Sedona D32020/2700/27W/80/A50/EM3H	D124xH101mmxØ115mm±1mm	2700	2945	27W	110	50°
145307 Sedona D32020/3000/27W/80/A50/EM3H	D124xH101mmxØ115mm±1mm	3000	2970	27W	110	50°
145308 Sedona D32020/3500/27W/80/A50/EM3H	D124xH101mmxØ115mm±1mm	3500	3055	27W	114	50°
145309 Sedona D32020/4000/27W/80/A50/EM3H	D124xH101mmxØ115mm±1mm	4000	3135	27W	117	50°
145311 Sedona D32020/2700/35W/80/A50/EM3H	D124xH101mmxØ115mm±1mm	2700	3710	35W	106	50°
145312 Sedona D32020/3000/35W/80/A50/EM3H	D124xH101mmxØ115mm±1mm	3000	3745	35W	107	50°
145313 Sedona D32020/3500/35W/80/A50/EM3H	D124xH101mmxØ115mm±1mm	3500	3815	35W	109	50°
145314 Sedona D32020/4000/35W/80/A50/EM3H	D124xH101mmxØ115mm±1mm	4000	3920	35W	112	50°
145316 Sedona D32020/2700/42W/80/A50/EM3H	D124xH101mmxØ115mm±1mm	2700	4200	42W	100	50°
145317 Sedona D32020/3000/42W/80/A50/EM3H	D124xH101mmxØ115mm±1mm	3000	4200	42W	100	50°
145318 Sedona D32020/3500/42W/80/A50/EM3H	D124xH101mmxØ115mm±1mm	3500	4330	42W	103	50°
145319 Sedona D32020/4000/42W/80/A50/EM3H	D124xH101mmxØ115mm±1mm	4000	4455	42W	106	50°

SKU SPECIFICATIONS

Product Code	Dimensions (mm)	CCT (K)	Lumens (lm)	Power (W)	Eff. (lm/watt)	Lens Angle (°)
<b>CRI 80</b>						
145321 Sedona D32023/2700/14W/80/A50/EM3H	D160xH111mmxØ145mm±1mm	2700	1485	14W	107	50°
145322 Sedona D32023/3000/14W/80/A50/EM3H	D160xH111mmxØ145mm±1mm	3000	1500	14W	108	50°
145323 Sedona D32023/3500/14W/80/A50/EM3H	D160xH111mmxØ145mm±1mm	3500	1540	14W	110	50°
145324 Sedona D32023/4000/14W/80/A50/EM3H	D160xH111mmxØ145mm±1mm	4000	1570	14W	113	50°
145326 Sedona D32023/2700/20W/80/A50/EM3H	D160xH111mmxØ145mm±1mm	2700	2080	20W	104	50°
145327 Sedona D32023/3000/20W/80/A50/EM3H	D160xH111mmxØ145mm±1mm	3000	2100	20W	105	50°
145328 Sedona D32023/3500/20W/80/A50/EM3H	D160xH111mmxØ145mm±1mm	3500	2160	20W	108	50°
145329 Sedona D32023/4000/20W/80/A50/EM3H	D160xH111mmxØ145mm±1mm	4000	2200	20W	110	50°
145331 Sedona D32023/2700/27W/80/A50/EM3H	D160xH111mmxØ145mm±1mm	2700	2945	27W	110	50°
145332 Sedona D32023/3000/27W/80/A50/EM3H	D160xH111mmxØ145mm±1mm	3000	2970	27W	110	50°
145333 Sedona D32023/3500/27W/80/A50/EM3H	D160xH111mmxØ145mm±1mm	3500	3055	27W	114	50°
145334 Sedona D32023/4000/27W/80/A50/EM3H	D160xH111mmxØ145mm±1mm	4000	3135	27W	117	50°
145336 Sedona D32023/2700/35W/80/A50/EM3H	D160xH111mmxØ145mm±1mm	2700	3710	35W	106	50°
145337 Sedona D32023/3000/35W/80/A50/EM3H	D160xH111mmxØ145mm±1mm	3000	3745	35W	107	50°
145338 Sedona D32023/3500/35W/80/A50/EM3H	D160xH111mmxØ145mm±1mm	3500	3815	35W	109	50°
145339 Sedona D32023/4000/35W/80/A50/EM3H	D160xH111mmxØ145mm±1mm	4000	3920	35W	112	50°
145341 Sedona D32023/2700/42W/80/A50/EM3H	D160xH111mmxØ145mm±1mm	2700	4200	42W	100	50°
145342 Sedona D32023/3000/42W/80/A50/EM3H	D160xH111mmxØ145mm±1mm	3000	4200	42W	100	50°
145343 Sedona D32023/3500/42W/80/A50/EM3H	D160xH111mmxØ145mm±1mm	3500	4330	42W	103	50°
145344 Sedona D32023/4000/42W/80/A50/EM3H	D160xH111mmxØ145mm±1mm	4000	4455	42W	106	50°
145346 Sedona D32024/2700/14W/80/A45/EM3H	D180xH122mmxØ170mm±1mm	2700	1485	14W	107	45°
145347 Sedona D32024/3000/14W/80/A45/EM3H	D180xH122mmxØ170mm±1mm	3000	1500	14W	108	45°
145348 Sedona D32024/3500/14W/80/A45/EM3H	D180xH122mmxØ170mm±1mm	3500	1540	14W	110	45°
145349 Sedona D32024/4000/14W/80/A45/EM3H	D180xH122mmxØ170mm±1mm	4000	1570	14W	113	45°
145351 Sedona D32024/2700/20W/80/A45/EM3H	D180xH122mmxØ170mm±1mm	2700	2080	20W	104	45°
145352 Sedona D32024/3000/20W/80/A45/EM3H	D180xH122mmxØ170mm±1mm	3000	2100	20W	105	45°
145353 Sedona D32024/3500/20W/80/A45/EM3H	D180xH122mmxØ170mm±1mm	3500	2160	20W	108	45°
145354 Sedona D32024/4000/20W/80/A45/EM3H	D180xH122mmxØ170mm±1mm	4000	2200	20W	110	45°
145356 Sedona D32024/2700/27W/80/A45/EM3H	D180xH122mmxØ170mm±1mm	2700	2945	27W	110	45°
145357 Sedona D32024/3000/27W/80/A45/EM3H	D180xH122mmxØ170mm±1mm	3000	2970	27W	110	45°
145358 Sedona D32024/3500/27W/80/A45/EM3H	D180xH122mmxØ170mm±1mm	3500	3055	27W	114	45°
145359 Sedona D32024/4000/27W/80/A45/EM3H	D180xH122mmxØ170mm±1mm	4000	3135	27W	117	45°
145361 Sedona D32024/2700/35W/80/A45/EM3H	D180xH122mmxØ170mm±1mm	2700	3710	35W	106	45°
145362 Sedona D32024/3000/35W/80/A45/EM3H	D180xH122mmxØ170mm±1mm	3000	3745	35W	107	45°
145363 Sedona D32024/3500/35W/80/A45/EM3H	D180xH122mmxØ170mm±1mm	3500	3815	35W	109	45°
145364 Sedona D32024/4000/35W/80/A45/EM3H	D180xH122mmxØ170mm±1mm	4000	3920	35W	112	45°
145366 Sedona D32024/2700/42W/80/A45/EM3H	D180xH122mmxØ170mm±1mm	2700	4200	42W	100	45°
145367 Sedona D32024/3000/42W/80/A45/EM3H	D180xH122mmxØ170mm±1mm	3000	4200	42W	100	45°
145368 Sedona D32024/3500/42W/80/A45/EM3H	D180xH122mmxØ170mm±1mm	3500	4330	42W	103	45°
145369 Sedona D32024/4000/42W/80/A45/EM3H	D180xH122mmxØ170mm±1mm	4000	4455	42W	106	45°
145371 Sedona D32025/2700/14W/80/A50/EM3H	D220xH127mmxØ200mm-210mm±1mm	2700	1485	14W	107	50°
145372 Sedona D32025/3000/14W/80/A50/EM3H	D220xH127mmxØ200mm-210mm±1mm	3000	1500	14W	108	50°
145373 Sedona D32025/3500/14W/80/A50/EM3H	D220xH127mmxØ200mm-210mm±1mm	3500	1540	14W	110	50°
145374 Sedona D32025/4000/14W/80/A50/EM3H	D220xH127mmxØ200mm-210mm±1mm	4000	1570	14W	113	50°
145376 Sedona D32025/2700/20W/80/A50/EM3H	D220xH127mmxØ200mm-210mm±1mm	2700	2080	20W	104	50°
145377 Sedona D32025/3000/20W/80/A50/EM3H	D220xH127mmxØ200mm-210mm±1mm	3000	2100	20W	105	50°
145378 Sedona D32025/3500/20W/80/A50/EM3H	D220xH127mmxØ200mm-210mm±1mm	3500	2160	20W	108	50°
145379 Sedona D32025/4000/20W/80/A50/EM3H	D220xH127mmxØ200mm-210mm±1mm	4000	2200	20W	110	50°
145381 Sedona D32025/2700/27W/80/A50/EM3H	D220xH127mmxØ200mm-210mm±1mm	2700	2945	27W	110	50°
145382 Sedona D32025/3000/27W/80/A50/EM3H	D220xH127mmxØ200mm-210mm±1mm	3000	2970	27W	110	50°

SKU SPECIFICATIONS

Product Code	Dimensions (mm)	CCT (K)	Lumens (lm)	Power (W)	Eff. (lm/watt)	Lens Angle (°)
<b>CRI 80</b>						
145383 Sedona D32025/3500/27W/80/A50/EM3H	D220xH127mmxØ200mm-210mm±1mm	3500	3055	27W	114	50°
145384 Sedona D32025/4000/27W/80/A50/EM3H	D220xH127mmxØ200mm-210mm±1mm	4000	3135	27W	117	50°
145386 Sedona D32025/2700/35W/80/A50/EM3H	D220xH127mmxØ200mm-210mm±1mm	2700	3710	35W	106	50°
145387 Sedona D32025/3000/35W/80/A50/EM3H	D220xH127mmxØ200mm-210mm±1mm	3000	3745	35W	107	50°
145388 Sedona D32025/3500/35W/80/A50/EM3H	D220xH127mmxØ200mm-210mm±1mm	3500	3815	35W	109	50°
145389 Sedona D32025/4000/35W/80/A50/EM3H	D220xH127mmxØ200mm-210mm±1mm	4000	3920	35W	112	50°
145391 Sedona D32025/2700/42W/80/A50/EM3H	D220xH127mmxØ200mm-210mm±1mm	2700	4200	42W	100	50°
145392 Sedona D32025/3000/42W/80/A50/EM3H	D220xH127mmxØ200mm-210mm±1mm	3000	4200	42W	100	50°
145393 Sedona D32025/3500/42W/80/A50/EM3H	D220xH127mmxØ200mm-210mm±1mm	3500	4330	42W	103	50°
145394 Sedona D32025/4000/42W/80/A50/EM3H	D220xH127mmxØ200mm-210mm±1mm	4000	4455	42W	106	50°
145614 Sedona D32020/2700/14W/80/A20/EM1H	D124xH101mmxØ115mm±1mm	2700	1485	14W	107	20°
145615 Sedona D32020/3000/14W/80/A20/EM1H	D124xH101mmxØ115mm±1mm	3000	1500	14W	108	20°
145616 Sedona D32020/3500/14W/80/A20/EM1H	D124xH101mmxØ115mm±1mm	3500	1540	14W	110	20°
145617 Sedona D32020/4000/14W/80/A20/EM1H	D124xH101mmxØ115mm±1mm	4000	1570	14W	113	20°
145619 Sedona D32020/2700/20W/80/A20/EM1H	D124xH101mmxØ115mm±1mm	2700	2080	20W	104	20°
145620 Sedona D32020/3000/20W/80/A20/EM1H	D124xH101mmxØ115mm±1mm	3000	2100	20W	105	20°
145621 Sedona D32020/3500/20W/80/A20/EM1H	D124xH101mmxØ115mm±1mm	3500	2160	20W	108	20°
145622 Sedona D32020/4000/20W/80/A20/EM1H	D124xH101mmxØ115mm±1mm	4000	2200	20W	110	20°
145624 Sedona D32020/2700/27W/80/A20/EM1H	D124xH101mmxØ115mm±1mm	2700	2945	27W	110	20°
145625 Sedona D32020/3000/27W/80/A20/EM1H	D124xH101mmxØ115mm±1mm	3000	2970	27W	110	20°
145626 Sedona D32020/3500/27W/80/A20/EM1H	D124xH101mmxØ115mm±1mm	3500	3055	27W	114	20°
145627 Sedona D32020/4000/27W/80/A20/EM1H	D124xH101mmxØ115mm±1mm	4000	3135	27W	117	20°
145629 Sedona D32020/2700/35W/80/A20/EM1H	D124xH101mmxØ115mm±1mm	2700	3710	35W	106	20°
145630 Sedona D32020/3000/35W/80/A20/EM1H	D124xH101mmxØ115mm±1mm	3000	3745	35W	107	20°
145631 Sedona D32020/3500/35W/80/A20/EM1H	D124xH101mmxØ115mm±1mm	3500	3815	35W	109	20°
145632 Sedona D32020/4000/35W/80/A20/EM1H	D124xH101mmxØ115mm±1mm	4000	3920	35W	112	20°
145634 Sedona D32020/2700/42W/80/A20/EM1H	D124xH101mmxØ115mm±1mm	2700	4200	42W	100	20°
145635 Sedona D32020/3000/42W/80/A20/EM1H	D124xH101mmxØ115mm±1mm	3000	4200	42W	100	20°
145636 Sedona D32020/3500/42W/80/A20/EM1H	D124xH101mmxØ115mm±1mm	3500	4330	42W	103	20°
145637 Sedona D32020/4000/42W/80/A20/EM1H	D124xH101mmxØ115mm±1mm	4000	4455	42W	106	20°
145639 Sedona D32020/2700/14W/80/A30/EM1H	D124xH101mmxØ115mm±1mm	2700	1485	14W	107	30°
145640 Sedona D32020/3000/14W/80/A30/EM1H	D124xH101mmxØ115mm±1mm	3000	1500	14W	108	30°
145641 Sedona D32020/3500/14W/80/A30/EM1H	D124xH101mmxØ115mm±1mm	3500	1540	14W	110	30°
145642 Sedona D32020/4000/14W/80/A30/EM1H	D124xH101mmxØ115mm±1mm	4000	1570	14W	113	30°
145644 Sedona D32020/2700/20W/80/A30/EM1H	D124xH101mmxØ115mm±1mm	2700	2080	20W	104	30°
145645 Sedona D32020/3000/20W/80/A30/EM1H	D124xH101mmxØ115mm±1mm	3000	2100	20W	105	30°
145646 Sedona D32020/3500/20W/80/A30/EM1H	D124xH101mmxØ115mm±1mm	3500	2160	20W	108	30°
145647 Sedona D32020/4000/20W/80/A30/EM1H	D124xH101mmxØ115mm±1mm	4000	2200	20W	110	30°
145649 Sedona D32020/2700/27W/80/A30/EM1H	D124xH101mmxØ115mm±1mm	2700	2945	27W	110	30°
145650 Sedona D32020/3000/27W/80/A30/EM1H	D124xH101mmxØ115mm±1mm	3000	2970	27W	110	30°
145651 Sedona D32020/3500/27W/80/A30/EM1H	D124xH101mmxØ115mm±1mm	3500	3055	27W	114	30°
145652 Sedona D32020/4000/27W/80/A30/EM1H	D124xH101mmxØ115mm±1mm	4000	3135	27W	117	30°
145654 Sedona D32020/2700/35W/80/A30/EM1H	D124xH101mmxØ115mm±1mm	2700	3710	35W	106	30°
145655 Sedona D32020/3000/35W/80/A30/EM1H	D124xH101mmxØ115mm±1mm	3000	3745	35W	107	30°
145656 Sedona D32020/3500/35W/80/A30/EM1H	D124xH101mmxØ115mm±1mm	3500	3815	35W	109	30°
145657 Sedona D32020/4000/35W/80/A30/EM1H	D124xH101mmxØ115mm±1mm	4000	3920	35W	112	30°
145659 Sedona D32020/2700/42W/80/A30/EM1H	D124xH101mmxØ115mm±1mm	2700	4200	42W	100	30°
145660 Sedona D32020/3000/42W/80/A30/EM1H	D124xH101mmxØ115mm±1mm	3000	4200	42W	100	30°
145661 Sedona D32020/3500/42W/80/A30/EM1H	D124xH101mmxØ115mm±1mm	3500	4330	42W	103	30°
145662 Sedona D32020/4000/42W/80/A30/EM1H	D124xH101mmxØ115mm±1mm	4000	4455	42W	106	30°



**SKU SPECIFICATIONS**

Product Code	Dimensions (mm)	CCT (K)	Lumens (lm)	Power (W)	Eff. (lm/watt)	Lens Angle (°)
<b>CRI 80</b>						
145664 Sedona D32020/2700/14W/80/A20/EM3H	D124xH101mmxØ115mm±1mm	2700	1485	14W	107	20°
145665 Sedona D32020/3000/14W/80/A20/EM3H	D124xH101mmxØ115mm±1mm	3000	1500	14W	108	20°
145666 Sedona D32020/3500/14W/80/A20/EM3H	D124xH101mmxØ115mm±1mm	3500	1540	14W	110	20°
145667 Sedona D32020/4000/14W/80/A20/EM3H	D124xH101mmxØ115mm±1mm	4000	1570	14W	113	20°
145669 Sedona D32020/2700/20W/80/A20/EM3H	D124xH101mmxØ115mm±1mm	2700	2080	20W	104	20°
145670 Sedona D32020/3000/20W/80/A20/EM3H	D124xH101mmxØ115mm±1mm	3000	2100	20W	105	20°
145671 Sedona D32020/3500/20W/80/A20/EM3H	D124xH101mmxØ115mm±1mm	3500	2160	20W	108	20°
145672 Sedona D32020/4000/20W/80/A20/EM3H	D124xH101mmxØ115mm±1mm	4000	2200	20W	110	20°
145674 Sedona D32020/2700/27W/80/A20/EM3H	D124xH101mmxØ115mm±1mm	2700	2945	27W	110	20°
145675 Sedona D32020/3000/27W/80/A20/EM3H	D124xH101mmxØ115mm±1mm	3000	2970	27W	110	20°
145676 Sedona D32020/3500/27W/80/A20/EM3H	D124xH101mmxØ115mm±1mm	3500	3055	27W	114	20°
145677 Sedona D32020/4000/27W/80/A20/EM3H	D124xH101mmxØ115mm±1mm	4000	3135	27W	117	20°
145679 Sedona D32020/2700/35W/80/A20/EM3H	D124xH101mmxØ115mm±1mm	2700	3710	35W	106	20°
145680 Sedona D32020/3000/35W/80/A20/EM3H	D124xH101mmxØ115mm±1mm	3000	3745	35W	107	20°
145681 Sedona D32020/3500/35W/80/A20/EM3H	D124xH101mmxØ115mm±1mm	3500	3815	35W	109	20°
145682 Sedona D32020/4000/35W/80/A20/EM3H	D124xH101mmxØ115mm±1mm	4000	3920	35W	112	20°
145684 Sedona D32020/2700/42W/80/A20/EM3H	D124xH101mmxØ115mm±1mm	2700	4200	42W	100	20°
145685 Sedona D32020/3000/42W/80/A20/EM3H	D124xH101mmxØ115mm±1mm	3000	4200	42W	100	20°
145686 Sedona D32020/3500/42W/80/A20/EM3H	D124xH101mmxØ115mm±1mm	3500	4330	42W	103	20°
145687 Sedona D32020/4000/42W/80/A20/EM3H	D124xH101mmxØ115mm±1mm	4000	4455	42W	106	20°
145689 Sedona D32020/2700/14W/80/A30/EM3H	D124xH101mmxØ115mm±1mm	2700	1485	14W	107	30°
145690 Sedona D32020/3000/14W/80/A30/EM3H	D124xH101mmxØ115mm±1mm	3000	1500	14W	108	30°
145691 Sedona D32020/3500/14W/80/A30/EM3H	D124xH101mmxØ115mm±1mm	3500	1540	14W	110	30°
145692 Sedona D32020/4000/14W/80/A30/EM3H	D124xH101mmxØ115mm±1mm	4000	1570	14W	113	30°
145694 Sedona D32020/2700/20W/80/A30/EM3H	D124xH101mmxØ115mm±1mm	2700	2080	20W	104	30°
145695 Sedona D32020/3000/20W/80/A30/EM3H	D124xH101mmxØ115mm±1mm	3000	2100	20W	105	30°
145696 Sedona D32020/3500/20W/80/A30/EM3H	D124xH101mmxØ115mm±1mm	3500	2160	20W	108	30°
145697 Sedona D32020/4000/20W/80/A30/EM3H	D124xH101mmxØ115mm±1mm	4000	2200	20W	110	30°
145699 Sedona D32020/2700/27W/80/A30/EM3H	D124xH101mmxØ115mm±1mm	2700	2945	27W	110	30°
145700 Sedona D32020/3000/27W/80/A30/EM3H	D124xH101mmxØ115mm±1mm	3000	2970	27W	110	30°
145701 Sedona D32020/3500/27W/80/A30/EM3H	D124xH101mmxØ115mm±1mm	3500	3055	27W	114	30°
145702 Sedona D32020/4000/27W/80/A30/EM3H	D124xH101mmxØ115mm±1mm	4000	3135	27W	117	30°
145704 Sedona D32020/2700/35W/80/A30/EM3H	D124xH101mmxØ115mm±1mm	2700	3710	35W	106	30°
145705 Sedona D32020/3000/35W/80/A30/EM3H	D124xH101mmxØ115mm±1mm	3000	3745	35W	107	30°
145706 Sedona D32020/3500/35W/80/A30/EM3H	D124xH101mmxØ115mm±1mm	3500	3815	35W	109	30°
145707 Sedona D32020/4000/35W/80/A30/EM3H	D124xH101mmxØ115mm±1mm	4000	3920	35W	112	30°
145709 Sedona D32020/2700/42W/80/A30/EM3H	D124xH101mmxØ115mm±1mm	2700	4200	42W	100	30°
145710 Sedona D32020/3000/42W/80/A30/EM3H	D124xH101mmxØ115mm±1mm	3000	4200	42W	100	30°
145711 Sedona D32020/3500/42W/80/A30/EM3H	D124xH101mmxØ115mm±1mm	3500	4330	42W	103	30°
145712 Sedona D32020/4000/42W/80/A30/EM3H	D124xH101mmxØ115mm±1mm	4000	4455	42W	106	30°

Technical specifications can be modified without prior notice. All information is property of Greentek Lighting. The presentation picture is for information purposes only. Latest document update: August 10, 2017 4:37 PM. [www.greentek.eu](http://www.greentek.eu)