

JASPER

DAMP & WATER PROOF

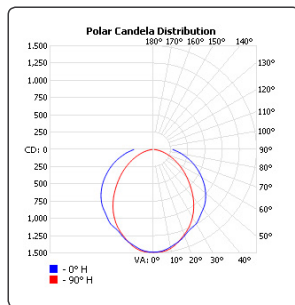


- Available in 3 form factors: 60cm, 120cm and 150cm
- Robust and waterproof with IP 65
- Emergency kit available
- Three temperatures: 3000K, 4000 K and 5000 K
- High efficiency: 112 lm/W
- OSPC connection
- 130° lens angle
- Color rendering index: 80

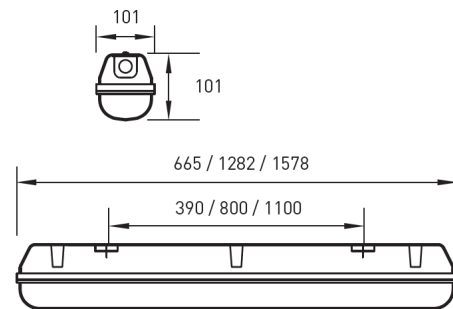
Applications

Shipping, Industrial, Storage facilities, Workshops, Parking

LIGHT DISTRIBUTION



TECHNICAL DRAW



Power	A: 12W, 22W B: 21W, 37W, 45W C: 31W, 45W, 55W
Dimensions	A: 665 x 101 x 101 ± 1mm B: 1282 x 101 x 101 ± 1mm C: 1578 x 101 x 101 ± 1mm
Color Rendering	CRI80
Housing materials	Polycarbonate
IK Code	IK08
THD (at 230V, 50Hz, full load)	<20%
Protection class	Safety class 1
Operating temperature (°C) for TEC	-20C...+45C/-4F...+113F
Operating temperature (°C) for TEC EM	+5C...+45C/+41F...+113F
Operating humidity (%)	10 ÷ 85
Power factor	≥0.95
AC Input	220-240 Vac
Color temperature	3000K, 4000K, 5000K
Lens angle (°)	130°
Lifespan (h)	50000
Housing color	RAL 7035 - Light grey
Color consistency	MacAdam 4
Lumen maintenance	L70/B30@50.000h at 25°C
IP Rating	IP65
Control option	-
Warranty (years)	5 years
Storage Temperature Range (°C) for TEC	-20 ÷ +55/-4F...+131F
Storage Temperature Range (°C) for TEC EM	+5 ÷ +25 /-41F...+77F

Emergency option	EM1H, EM3H
(only for TEC EM)	
Efficiency @4000K	112 lm/W
Luminous flux tolerance	+/- 5%
Consumption tolerance	TEC +/- 5%
	TEC + KIT EM +/-10%
Risk group	RG1
	The evaluation of photobiological safety is carried out according to the standard IEC 62471:2008 ("Photobiological safety of lamps and lamp systems"). Following the definition of the risk grouping system of the mentioned IEC standard, the LEDs mounted on this family fall into the class "Low Risk (RG1 - No photobiological hazard under normal behavioral limitations)". Under real circumstances (regarding exposure

Maximum no. of luminaires on a circuit

Power	Amperage	Circuit Breaker Type					
		B			C		
12-31W		20	16	10	20	16	10
37-50W		48	38	24	80	63	40
55W		30	24	14	50	40	32
		28	22	13	46	36	21

ARTICLE NUMBER	Dimensions (mm)	CCT (K)	Lumens (lm)	Power (W)	Efficiency (lm/watt)	Lens angle (degrees)	Weight (kg)
174000 Jasper 120IP65/3000/37W/80/A130	1282 x 101 x 101 ± 1mm	3000	3965	37	108	130°	1.9
174001 Jasper 120IP65/4000/37W/80/A130	1282 x 101 x 101 ± 1mm	4000	4090	37	111	130°	1.9
174002 Jasper 120IP65/5000/37W/80/A130	1282 x 101 x 101 ± 1mm	5000	4275	37	116	130°	1.9
174008 Jasper 120IP65/3000/45W/80/A130	1282 x 101 x 101 ± 1mm	3000	4510	45	101	130°	1.9
174009 Jasper 120IP65/4000/45W/80/A130	1282 x 101 x 101 ± 1mm	4000	4650	45	104	130°	1.9
174010 Jasper 120IP65/5000/45W/80/A130	1282 x 101 x 101 ± 1mm	5000	4865	45	109	130°	1.9
174012 Jasper 150IP65/3000/45W/80/A130	1578 x 101 x 101 ± 1mm	3000	4860	45	108	130°	2.3
174013 Jasper 150IP65/4000/45W/80/A130	1578 x 101 x 101 ± 1mm	4000	5010	45	112	130°	2.3
174014 Jasper 150IP65/5000/45W/80/A130	1578 x 101 x 101 ± 1mm	5000	5240	45	117	130°	2.3
174020 Jasper 150IP65/3000/55W/80/A130	1578 x 101 x 101 ± 1mm	3000	5455	55	100	130°	2.3
174021 Jasper 150IP65/4000/55W/80/A130	1578 x 101 x 101 ± 1mm	4000	5625	55	103	130°	2.3
174022 Jasper 150IP65/5000/55W/80/A130	1578 x 101 x 101 ± 1mm	5000	5885	55	107	130°	2.3
174092 Jasper 60IP65/3000/12W/80/A130	665 x 101 x 101 ± 1mm	3000	1045	12	88	130°	1.1
174093 Jasper 60IP65/4000/12W/80/A130	665 x 101 x 101 ± 1mm	4000	1075	12	90	130°	1.1
174094 Jasper 60IP65/5000/12W/80/A130	665 x 101 x 101 ± 1mm	5000	1125	12	94	130°	1.1
174116 Jasper 60IP65/3000/22W/80/A130	665 x 101 x 101 ± 1mm	3000	2040	22	93	130°	1.1
174117 Jasper 60IP65/4000/22W/80/A130	665 x 101 x 101 ± 1mm	4000	2100	22	96	130°	1.1
174118 Jasper 60IP65/5000/22W/80/A130	665 x 101 x 101 ± 1mm	5000	2200	22	100	130°	1.1
174144 Jasper 120IP65/3000/21W/80/A130	1282 x 101 x 101 ± 1mm	3000	2140	21	102	130°	1.9
174145 Jasper 120IP65/4000/21W/80/A130	1282 x 101 x 101 ± 1mm	4000	2210	21	106	130°	1.9
174146 Jasper 120IP65/5000/21W/80/A130	1282 x 101 x 101 ± 1mm	5000	2310	21	110	130°	1.9
174180 Jasper 150IP65/3000/31W/80/A130	1578 x 101 x 101 ± 1mm	3000	3040	31	99	130°	2.3
174181 Jasper 150IP65/4000/31W/80/A130	1578 x 101 x 101 ± 1mm	4000	3135	31	102	130°	2.3
174182 Jasper 150IP65/5000/31W/80/A130	1578 x 101 x 101 ± 1mm	5000	3275	31	106	130°	2.3


Equipped with 1 hour emergency kit

174024 Jasper 120IP65/3000/37W/80/A130/EM1H	1282 x 101 x 101 ± 1mm	3000	3965	37	108	130°	2.3
174025 Jasper 120IP65/4000/37W/80/A130/EM1H	1282 x 101 x 101 ± 1mm	4000	4090	37	111	130°	2.3
174026 Jasper 120IP65/5000/37W/80/A130/EM1H	1282 x 101 x 101 ± 1mm	5000	4275	37	116	130°	2.3
174032 Jasper 120IP65/3000/45W/80/A130/EM1H	1282 x 101 x 101 ± 1mm	3000	4510	45	101	130°	2.3
174033 Jasper 120IP65/4000/45W/80/A130/EM1H	1282 x 101 x 101 ± 1mm	4000	4650	45	104	130°	2.3
174034 Jasper 120IP65/5000/45W/80/A130/EM1H	1282 x 101 x 101 ± 1mm	5000	4865	45	109	130°	2.3
174036 Jasper 150IP65/3000/45W/80/A130/EM1H	1578 x 101 x 101 ± 1mm	3000	4860	45	108	130°	2.6
174037 Jasper 150IP65/4000/45W/80/A130/EM1H	1578 x 101 x 101 ± 1mm	4000	5010	45	112	130°	2.6
174038 Jasper 150IP65/5000/45W/80/A130/EM1H	1578 x 101 x 101 ± 1mm	5000	5240	45	117	130°	2.6
174044 Jasper 150IP65/3000/55W/80/A130/EM1H	1578 x 101 x 101 ± 1mm	3000	5455	55	100	130°	2.6
174045 Jasper 150IP65/4000/55W/80/A130/EM1H	1578 x 101 x 101 ± 1mm	4000	5625	55	103	130°	2.6
174046 Jasper 150IP65/5000/55W/80/A130/EM1H	1578 x 101 x 101 ± 1mm	5000	5885	55	107	130°	2.6
174148 Jasper 120IP65/3000/21W/80/A130/EM1H	1282 x 101 x 101 ± 1mm	3000	2140	21	102	130°	2.3
174149 Jasper 120IP65/4000/21W/80/A130/EM1H	1282 x 101 x 101 ± 1mm	4000	2210	21	106	130°	2.3
174150 Jasper 120IP65/5000/21W/80/A130/EM1H	1282 x 101 x 101 ± 1mm	5000	2310	21	110	130°	2.3
174184 Jasper 150IP65/3000/31W/80/A130/EM1H	1578 x 101 x 101 ± 1mm	3000	3040	31	99	130°	2.6
174185 Jasper 150IP65/4000/31W/80/A130/EM1H	1578 x 101 x 101 ± 1mm	4000	3135	31	102	130°	2.6
174186 Jasper 150IP65/5000/31W/80/A130/EM1H	1578 x 101 x 101 ± 1mm	5000	3275	31	106	130°	2.6

Equipped with 3 hour emergency kit

174048 Jasper 120IP65/3000/37W/80/A130/EM3H	1282 x 101 x 101 ± 1mm	3000	3965	37	108	130°	2.3
174049 Jasper 120IP65/4000/37W/80/A130/EM3H	1282 x 101 x 101 ± 1mm	4000	4090	37	111	130°	2.3
174050 Jasper 120IP65/5000/37W/80/A130/EM3H	1282 x 101 x 101 ± 1mm	5000	4275	37	116	130°	2.3
174056 Jasper 120IP65/3000/45W/80/A130/EM3H	1282 x 101 x 101 ± 1mm	3000	4510	45	101	130°	2.3
174057 Jasper 120IP65/4000/45W/80/A130/EM3H	1282 x 101 x 101 ± 1mm	4000	4650	45	104	130°	2.3
174058 Jasper 120IP65/5000/45W/80/A130/EM3H	1282 x 101 x 101 ± 1mm	5000	4865	45	109	130°	2.3
174060 Jasper 150IP65/3000/45W/80/A130/EM3H	1578 x 101 x 101 ± 1mm	3000	4860	45	108	130°	2.6
174061 Jasper 150IP65/4000/45W/80/A130/EM3H	1578 x 101 x 101 ± 1mm	4000	5010	45	112	130°	2.6
174062 Jasper 150IP65/5000/45W/80/A130/EM3H	1578 x 101 x 101 ± 1mm	5000	5240	45	117	130°	2.6
174068 Jasper 150IP65/3000/55W/80/A130/EM3H	1578 x 101 x 101 ± 1mm	3000	5455	55	100	130°	2.6
174069 Jasper 150IP65/4000/55W/80/A130/EM3H	1578 x 101 x 101 ± 1mm	4000	5625	55	103	130°	2.6
174070 Jasper 150IP65/5000/55W/80/A130/EM3H	1578 x 101 x 101 ± 1mm	5000	5885	55	107	130°	2.6
174152 Jasper 120IP65/3000/21W/80/A130/EM3H	1282 x 101 x 101 ± 1mm	3000	2140	21	102	130°	2.3

ARTICLE NUMBER	Dimensions (mm)	CCT (K)	Lumens (lm)	Power (W)	Efficiency (lm/watt)	Lens angle (degrees)	Weight (kg)
Equipped with 3 hour emergency kit							
174153 Jasper 120IP65/4000/21W/80/A130/EM3H	1282 x 101 x 101 ± 1mm	4000	2210	21	106	130°	2.3
174154 Jasper 120IP65/5000/21W/80/A130/EM3H	1282 x 101 x 101 ± 1mm	5000	2310	21	110	130°	2.3
174188 Jasper 150IP65/3000/31W/80/A130/EM3H	1578 x 101 x 101 ± 1mm	3000	3040	31	99	130°	2.6
174189 Jasper 150IP65/4000/31W/80/A130/EM3H	1578 x 101 x 101 ± 1mm	4000	3135	31	102	130°	2.6
174190 Jasper 150IP65/5000/31W/80/A130/EM3H	1578 x 101 x 101 ± 1mm	5000	3275	31	106	130°	2.6

ARTICLE NUMBER	Materials	Length (mm)	Weight (kg)	No. required/luminaire (pcs)	Image
1741 GT1 JSP/WM/3m	Steel	3000	74g	2	
1742 GT1 JSP/WM/5m	Steel	5000	92g	2	
1743 GT1 JSP/WM/7m	Steel	7000	110g	2	
1744 GT1 JSP/WM/10m	Steel	10000	137g	2	