

Jade

RECESSED DOWNLIGHTS & SPOTLIGHTS

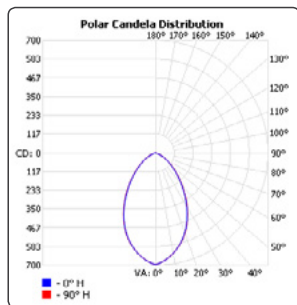


- Emergency kit available
- Two available dimensions
- Three temperatures: 3000K, 4000K and 5000K
- Standard lens angle of 75°
- Efficiency at 4000K: 99lm/W
- IP40

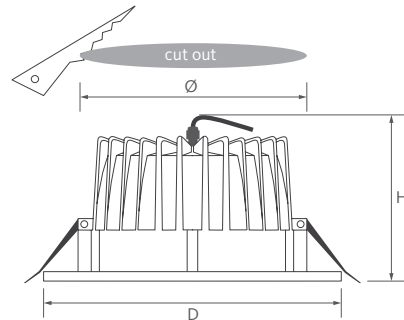
Applications

Grocery & supermarket, Office, Healthcare, Industrial & logistics, Hospitality, DIY

LIGHT DISTRIBUTION



TECHNICAL DRAW



Power	A: 9W, 17W, 23W, 30W B: 9W, 17W, 23W, 30W, 40W
Dimensions	A: D190 x H85 x Ø177 ± 1mm B: D240 x H90 x Ø220 ± 1mm
Color Rendering	CR180
Housing materials	Aluminium, glass
IK Code	IK02
THD (at 230V, 50Hz, full load)	<20%
Protection class	Safety class 1
Operating temperature (°C)	-20C...+45C/-4F...+113F
Operating humidity (%)	10 ÷ 85
Power factor	≥0.95
AC Input	220-240 Vac
Color temperature	3000K, 4000K, 5000K
Lens angle (°)	75°
Lifespan (h)	50000
Housing color	RAL 9003 - Signal white
Color consistency	MacAdam 4
Lumen maintenance	L70/B30@50.000h at 25°C
IP Rating	IP40
Control option	-
Warranty (years)	5 years
Storage Temperature Range (°C)	-20 ÷ +55/-4F...+131F
Emergency option	EM1H, EM3H
Efficiency @4000K	99 lm/W
Luminous flux tolerance	+/- 5%
Consumption tolerance	TEC +/- 5%
	TEC + KIT EM +/-10%

Risk group	RG1 The evaluation of photobiological safety is carried out according to the standard IEC 62471:2008 ("Photobiological safety of lamps and lamp systems"). Following the definition of the risk grouping system of the mentioned IEC standard, the LEDs mounted on this family fall into the class "Low Risk (RG1 - No photobiological hazard under normal behavioral limitations)". Under real circumstances (regarding exposure time, pupils, observation distance), it is assumed that there is no endangerment to the eye from these devices. As a matter of principle, however, it should be mentioned that intense light sources have a high secondary exposure potential due to their blinding effect.
-------------------	---

Maximum no. of luminaires on a circuit

Power	Amperage	Circuit Breaker Type					
		B			C		
		20	16	10	20	16	10
9W		50/175	40/145	20/90	16/205	32/165	40/105
17W		50/130	40/110	20/65	16/150	32/120	40/75
23W		50/100	40/80	20/50	16/110	32/90	40/55
30W		50/85	40/70	20/35	16/85	32/70	40/40
40W		50/65	40/52	20/30	16/80	32/60	40/32

● for Jade with emergency kit ● for standard Jade

ARTICLE NUMBER	Dimensions (mm)	CCT (K)	Lumens (lm)	Power (W)	Efficiency (lm/watt)	Lens angle (degrees)	Weight (kg)	
184000	Jade 177mm/3000/17W/80/A75	D190xH85xØ177mm±1mm	3000	1605	17	95	75°	1
184001	Jade 177mm/4000/17W/80/A75	D190xH85xØ177mm±1mm	4000	1650	17	98	75°	1
184002	Jade 177mm/5000/17W/80/A75	D190xH85xØ177mm±1mm	5000	1725	17	102	75°	1
184004	Jade 220mm/3000/40W/80/A75	D240xH90xØ220mm±1mm	3000	3755	40	94	75°	1.5
184005	Jade 220mm/4000/40W/80/A75	D240xH90xØ220mm±1mm	4000	3870	40	97	75°	1.5
184006	Jade 220mm/5000/40W/80/A75	D240xH90xØ220mm±1mm	5000	4050	40	102	75°	1.5
184008	Jade 177mm/3000/9W/80/A75	D190xH85xØ177mm±1mm	3000	750	9	84	75°	1
184009	Jade 177mm/4000/9W/80/A75	D190xH85xØ177mm±1mm	4000	775	9	87	75°	1
184010	Jade 177mm/5000/9W/80/A75	D190xH85xØ177mm±1mm	5000	810	9	90	75°	1
184012	Jade 177mm/3000/23W/80/A75	D190xH85xØ177mm±1mm	3000	2060	23	90	75°	1
184013	Jade 177mm/4000/23W/80/A75	D190xH85xØ177mm±1mm	4000	2125	23	93	75°	1
184014	Jade 177mm/5000/23W/80/A75	D190xH85xØ177mm±1mm	5000	2220	23	97	75°	1
184016	Jade 177mm/3000/30W/80/A75	D190xH85xØ177mm±1mm	3000	2750	30	92	75°	1
184017	Jade 177mm/4000/30W/80/A75	D190xH85xØ177mm±1mm	4000	2835	30	95	75°	1
184018	Jade 177mm/5000/30W/80/A75	D190xH85xØ177mm±1mm	5000	2965	30	99	75°	1
184020	Jade 220mm/3000/9W/80/A75	D240xH90xØ220mm±1mm	3000	675	9	75	75°	1.5
184021	Jade 220mm/4000/9W/80/A75	D240xH90xØ220mm±1mm	4000	700	9	78	75°	1.5
184022	Jade 220mm/5000/9W/80/A75	D240xH90xØ220mm±1mm	5000	730	9	82	75°	1.5
184024	Jade 220mm/3000/17W/80/A75	D240xH90xØ220mm±1mm	3000	1600	17	95	75°	1.5
184025	Jade 220mm/4000/17W/80/A75	D240xH90xØ220mm±1mm	4000	1650	17	98	75°	1.5
184026	Jade 220mm/5000/17W/80/A75	D240xH90xØ220mm±1mm	5000	1725	17	102	75°	1.5
184028	Jade 220mm/3000/23W/80/A75	D240xH90xØ220mm±1mm	3000	2035	23	89	75°	1.5
184029	Jade 220mm/4000/23W/80/A75	D240xH90xØ220mm±1mm	4000	2100	23	92	75°	1.5
184030	Jade 220mm/5000/23W/80/A75	D240xH90xØ220mm±1mm	5000	2195	23	96	75°	1.5
184032	Jade 220mm/3000/30W/80/A75	D240xH90xØ220mm±1mm	3000	2855	30	96	75°	1.5
184033	Jade 220mm/4000/30W/80/A75	D240xH90xØ220mm±1mm	4000	2945	30	99	75°	1.5
184034	Jade 220mm/5000/30W/80/A75	D240xH90xØ220mm±1mm	5000	3075	30	103	75°	1.5

Equipped with 1 hour emergency kit

184036	Jade 177mm/3000/17W/80/A75/EM1H	D190xH85xØ177mm±1mm	3000	1605	17	95	75°	1.5
184037	Jade 177mm/4000/17W/80/A75/EM1H	D190xH85xØ177mm±1mm	4000	1650	17	98	75°	1.5
184038	Jade 177mm/5000/17W/80/A75/EM1H	D190xH85xØ177mm±1mm	5000	1725	17	102	75°	1.5
184040	Jade 220mm/3000/40W/80/A75/EM1H	D240xH90xØ220mm±1mm	3000	3755	40	94	75°	2.0
184041	Jade 220mm/4000/40W/80/A75/EM1H	D240xH90xØ220mm±1mm	4000	3870	40	97	75°	2.0
184042	Jade 220mm/5000/40W/80/A75/EM1H	D240xH90xØ220mm±1mm	5000	4050	40	102	75°	2.0
184044	Jade 177mm/3000/9W/80/A75/EM1H	D190xH85xØ177mm±1mm	3000	750	9	84	75°	1.5
184045	Jade 177mm/4000/9W/80/A75/EM1H	D190xH85xØ177mm±1mm	4000	775	9	87	75°	1.5
184046	Jade 177mm/5000/9W/80/A75/EM1H	D190xH85xØ177mm±1mm	5000	810	9	90	75°	1.5
184048	Jade 177mm/3000/23W/80/A75/EM1H	D190xH85xØ177mm±1mm	3000	2060	23	90	75°	1.5
184049	Jade 177mm/4000/23W/80/A75/EM1H	D190xH85xØ177mm±1mm	4000	2125	23	93	75°	1.5
184050	Jade 177mm/5000/23W/80/A75/EM1H	D190xH85xØ177mm±1mm	5000	2220	23	97	75°	1.5
184052	Jade 177mm/3000/30W/80/A75/EM1H	D190xH85xØ177mm±1mm	3000	2750	30	92	75°	1.5
184053	Jade 177mm/4000/30W/80/A75/EM1H	D190xH85xØ177mm±1mm	4000	2835	30	95	75°	1.5
184054	Jade 177mm/5000/30W/80/A75/EM1H	D190xH85xØ177mm±1mm	5000	2965	30	99	75°	1.5
184056	Jade 220mm/3000/9W/80/A75/EM1H	D240xH90xØ220mm±1mm	3000	675	9	75	75°	2.0
184057	Jade 220mm/4000/9W/80/A75/EM1H	D240xH90xØ220mm±1mm	4000	700	9	78	75°	2.0
184058	Jade 220mm/5000/9W/80/A75/EM1H	D240xH90xØ220mm±1mm	5000	730	9	82	75°	2.0
184060	Jade 220mm/3000/17W/80/A75/EM1H	D240xH90xØ220mm±1mm	3000	1600	17	95	75°	2.0
184061	Jade 220mm/4000/17W/80/A75/EM1H	D240xH90xØ220mm±1mm	4000	1650	17	98	75°	2.0
184062	Jade 220mm/5000/17W/80/A75/EM1H	D240xH90xØ220mm±1mm	5000	1725	17	102	75°	2.0
184064	Jade 220mm/3000/23W/80/A75/EM1H	D240xH90xØ220mm±1mm	3000	2035	23	89	75°	2.0
184065	Jade 220mm/4000/23W/80/A75/EM1H	D240xH90xØ220mm±1mm	4000	2100	23	92	75°	2.0
184066	Jade 220mm/5000/23W/80/A75/EM1H	D240xH90xØ220mm±1mm	5000	2195	23	96	75°	2.0
184068	Jade 220mm/3000/30W/80/A75/EM1H	D240xH90xØ220mm±1mm	3000	2855	30	96	75°	2.0
184069	Jade 220mm/4000/30W/80/A75/EM1H	D240xH90xØ220mm±1mm	4000	2945	30	99	75°	2.0
184070	Jade 220mm/5000/30W/80/A75/EM1H	D240xH90xØ220mm±1mm	5000	3075	30	103	75°	2.0

Equipped with 3 hours emergency kit

184072	Jade 177mm/3000/17W/80/A75/EM3H	D190xH85xØ177mm±1mm	3000	1605	17	95	75°	1.8
184073	Jade 177mm/4000/17W/80/A75/EM3H	D190xH85xØ177mm±1mm	4000	1650	17	98	75°	1.8
184074	Jade 177mm/5000/17W/80/A75/EM3H	D190xH85xØ177mm±1mm	5000	1725	17	102	75°	1.8

ARTICLE NUMBER	Dimensions (mm)	CCT (K)	Lumens (lm)	Power (W)	Efficiency (lm/watt)	Lens angle (degrees)	Weight (kg)	
Equipped with 3 hours emergency kit								
184076	Jade 220mm/3000/40W/80/A75/EM3H	D240xH90xØ220mm±1mm	3000	3755	40	94	75°	2.3
184077	Jade 220mm/4000/40W/80/A75/EM3H	D240xH90xØ220mm±1mm	4000	3870	40	97	75°	2.3
184078	Jade 220mm/5000/40W/80/A75/EM3H	D240xH90xØ220mm±1mm	5000	4050	40	102	75°	2.3
184080	Jade 177mm/3000/9W/80/A75/EM3H	D190xH85xØ177mm±1mm	3000	750	9	84	75°	1.8
184081	Jade 177mm/4000/9W/80/A75/EM3H	D190xH85xØ177mm±1mm	4000	775	9	87	75°	1.8
184082	Jade 177mm/5000/9W/80/A75/EM3H	D190xH85xØ177mm±1mm	5000	810	9	90	75°	1.8
184084	Jade 177mm/3000/23W/80/A75/EM3H	D190xH85xØ177mm±1mm	3000	2060	23	90	75°	1.8
184085	Jade 177mm/4000/23W/80/A75/EM3H	D190xH85xØ177mm±1mm	4000	2125	23	93	75°	1.8
184086	Jade 177mm/5000/23W/80/A75/EM3H	D190xH85xØ177mm±1mm	5000	2220	23	97	75°	1.8
184088	Jade 177mm/3000/30W/80/A75/EM3H	D190xH85xØ177mm±1mm	3000	2750	30	92	75°	1.8
184089	Jade 177mm/4000/30W/80/A75/EM3H	D190xH85xØ177mm±1mm	4000	2835	30	95	75°	1.8
184090	Jade 177mm/5000/30W/80/A75/EM3H	D190xH85xØ177mm±1mm	5000	2965	30	99	75°	1.8
184092	Jade 220mm/3000/9W/80/A75/EM3H	D240xH90xØ220mm±1mm	3000	675	9	75	75°	2.3
184093	Jade 220mm/4000/9W/80/A75/EM3H	D240xH90xØ220mm±1mm	4000	700	9	78	75°	2.3
184094	Jade 220mm/5000/9W/80/A75/EM3H	D240xH90xØ220mm±1mm	5000	730	9	82	75°	2.3
184096	Jade 220mm/3000/17W/80/A75/EM3H	D240xH90xØ220mm±1mm	3000	1600	17	95	75°	2.3
184097	Jade 220mm/4000/17W/80/A75/EM3H	D240xH90xØ220mm±1mm	4000	1650	17	98	75°	2.3
184098	Jade 220mm/5000/17W/80/A75/EM3H	D240xH90xØ220mm±1mm	5000	1725	17	102	75°	2.3
184100	Jade 220mm/3000/23W/80/A75/EM3H	D240xH90xØ220mm±1mm	3000	2035	23	89	75°	2.3
184101	Jade 220mm/4000/23W/80/A75/EM3H	D240xH90xØ220mm±1mm	4000	2100	23	92	75°	2.3
184102	Jade 220mm/5000/23W/80/A75/EM3H	D240xH90xØ220mm±1mm	5000	2195	23	96	75°	2.3
184104	Jade 220mm/3000/30W/80/A75/EM3H	D240xH90xØ220mm±1mm	3000	2855	30	96	75°	2.3
184105	Jade 220mm/4000/30W/80/A75/EM3H	D240xH90xØ220mm±1mm	4000	2945	30	99	75°	2.3
184106	Jade 220mm/5000/30W/80/A75/EM3H	D240xH90xØ220mm±1mm	5000	3075	30	103	75°	2.3