



## Raylan

### RECESSED DIRECTIONAL SPOTLIGHTS | TEC

Discreet recessed spotlight suitable for low ceilings or for changing rooms where you need precise lightning effects. The spotlight smoothly blends into the general interior design and highlights the architectural features, providing a subtle yet precise illumination. Round diffusor for brilliant accent lighting in the shops and retail sectors.

Sleek aluminum housing with glass front face comes in three colors - signal white, jet black and white aluminum – for a perfect blend with the environment.

Raylan spotlight come in several series, with various add-on and controls:

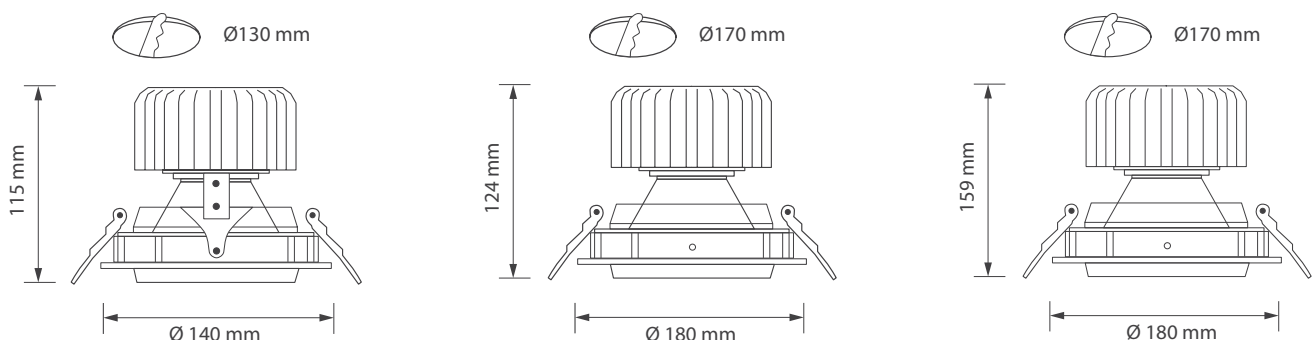
- Raylan TEC – the standard for any project in the retail and offices sectors
- Raylan ECO-DALI – with DALI controls for dimming
- Raylan EM – with emergency lighting kit
- Raylan ECO-EM – with both dimming and emergency kit

### APPLICATION

Supermarket | Fashion | Retail | Hospitality | Exhibition | Arhitectural

### FEATURES & BENEFITS

- CRI > 80 as standard, up to 98 for certain special color
- 16 color temperatures, including 11 specialized options for food, fashion, art, hospitality and AGI light
- Great variety of optics – 5 angles from narrow beams to flood beams
- Luminaire efficiency: 117lm/W @4000K
- Dimmable (for ECO Series)



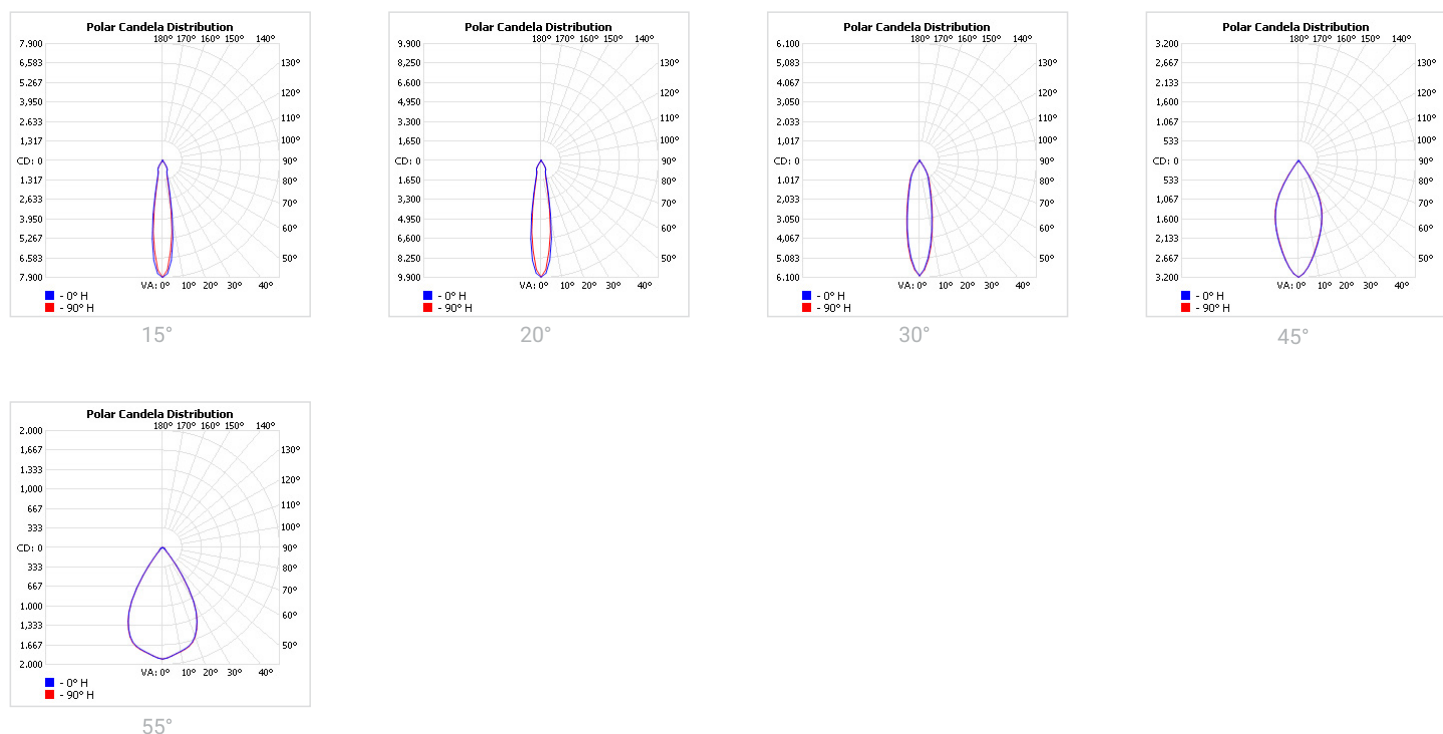
SPECIFICATIONS

Power consumption	14W, 16W, 17W, 20W, 21W, 23W, 27W, 29W, 32W, 34W, 35W, 42W		
Dimensions	D140xH115mmxØ130mm±1mm	D180xH124mmxØ170mm±1mm	D180xH159mmxØ170mm±1mm
Weight	0.9 Kg	1.1 Kg	1.1 Kg
Housing materials	Aluminium, glass		
IK code	IK02		
THD (at 230V, 50Hz, Full load)	<20%		
Protection class	Safety class 1		
Operating temperature [°C]	-20°C ... +45°C / -4F ... +113F		
Operating humidity [%]	10 ÷ 85		
Power factor	≥0.95		
AC Input [Vac]	220 - 240 VAC		
Lens angle [°]	15°, 20°, 30°, 45°, 55°		
Lifespan [h]	50,000		
Housing color	○ RAL 9003 - Signal White, ● RAL 9005 - Jet Black, ● RAL 9006 - White Aluminium		
Lumen maintenance	L90/B10@50,000h at 25°C		
IP factor (general)	IP20		
Control option	For more information please see <b>Raylan ECO-DALI</b> datasheet		
Warranty [years]	5		
Storage temperature range [°C]	-20°C ... +55°C / -4F ... +131F		
Emergency option	For more information please see <b>Raylan TEC EM</b> datasheet		

#	Standard	Food	Fashion	ENT / AGI	Enhanced	ART	AMB	SUNSET
CRI	CRI80	CRI80	CRI95	CRI90 & CRI 97 / CRI93	CRI90 / CRI95	CRI98	CRI80	CRI90
CCT [K]	2700 / 3000 / 3500 / 4000	BVF / FBS / FZM / FSM / FSH	FAS	5600 / AGI3000, 3500, 4000	2700/3000/3500/4000	3000	2200	1800...2700
MacAdam	3	3 / 4 / 4 / 3 / 3	3	3	2	2	3	3

CRI - Color rendering, CCT - Color temperature, MacAdam - Color consistency

LIGHT DISTRIBUTION



**TOLERANCES**

**Luminous flux tolerances:** -/+ 5%

**Consumption tolerance:** -/+ 5% for TEC | -/+ 10% for TEC & KIT EM | -/+ 10% for ECO-DALI | -/+ 15% for ECO-DALI & KIT EM

**BATTERY WARRANTY**

**TEC EM & ECO EM:** 12 months warranty

**TEC & ECO:** -

**MAXIMUM NO. OF LUMINAIRES ON A CIRCUIT**

Power	Control type	Circuit Breaker Type						
		Amperage	B			C		
			20	16	10	20	16	10
12-21W	TEC		62	50	31	104	85	52
23-35W	TEC		30	24	14	51	40	24
42W	TEC		20	16	8	38	32	16
50W	TEC		18	15	7	35	29	15
12-14W	ECO		44	35	21	73	58	35
16-21W	ECO		40	32	18	66	53	30
23-42W	ECO		28	22	13	46	36	21
50W	ECO		21	16	10	35	26	16

**RISK GROUP**

<b>Standard (CRI80)</b>	RG1
<b>FOOD (BVF, FBS, FSM)</b>	RG1
<b>FOOD &lt;20W (FZM, FSH)</b>	RG2 (dthr=1.8m)
<b>FOOD &gt;20W (FZM, FSH)</b>	RG2 (dthr=2.2m)
<b>FAS</b>	RG1
<b>AMB2200</b>	RG1
<b>ART</b>	RG1
<b>AGI</b>	RG1
<b>CRI90</b>	RG1
<b>CRI95</b>	RG1
<b>SUNSET</b>	RG1
<b>ENT</b>	RG1

**RG1**

The evaluation of photobiological safety is carried out according to the standard IEC 62471:2008 ("Photobiological safety of lamps and lamp systems"). Following the definition of the risk grouping system of the mentioned IEC standard, the LEDs mounted on this family fall into the class "Low Risk (RG1 - No photobiological hazard under normal behavioral limitations)". Under real circumstances (regarding exposure time, pupils, observation distance), it is assumed that there is no endangerment to the eye from these devices. As a matter of principle, however, it should be mentioned that intense light sources have a high secondary exposure potential due to their blinding effect.

**RG2**

The evaluation of photobiological safety is carried out according to the standard IEC 62471:2008 ("Photobiological safety of lamps and lamp systems"). Following the definition of the risk grouping system of the mentioned IEC standard, the LEDs mounted on this family fall into the class "Moderate Risk (RG2)". Under real circumstances (regarding exposure time, pupils, observation distance), it is assumed that there is no endangerment to the eye from these devices. As a matter of principle, however, it should be mentioned that intense light sources have a high secondary exposure potential due to their blinding effect.

SKU SPECIFICATIONS

Product Code	Dimensions (mm)	CCT (K)	Lumens (lm)	Power (W)	Eff. (lm/watt)	Lens Angle (°)
<b>CRI 80</b>						
118000 Raylan D34021/2700/14W/80/A20	D140xH115mmxØ130mm±1mm	2700	1485	14W	107	20°
118001 Raylan D34021/3000/14W/80/A20	D140xH115mmxØ130mm±1mm	3000	1500	14W	108	20°
118002 Raylan D34021/3500/14W/80/A20	D140xH115mmxØ130mm±1mm	3500	1540	14W	110	20°
118003 Raylan D34021/4000/14W/80/A20	D140xH115mmxØ130mm±1mm	4000	1570	14W	113	20°
118005 Raylan D34021/2700/14W/80/A30	D140xH115mmxØ130mm±1mm	2700	1485	14W	107	30°
118006 Raylan D34021/3000/14W/80/A30	D140xH115mmxØ130mm±1mm	3000	1500	14W	108	30°
118007 Raylan D34021/3500/14W/80/A30	D140xH115mmxØ130mm±1mm	3500	1540	14W	110	30°
118008 Raylan D34021/4000/14W/80/A30	D140xH115mmxØ130mm±1mm	4000	1570	14W	113	30°
118010 Raylan D34021/2700/14W/80/A45	D140xH115mmxØ130mm±1mm	2700	1485	14W	107	45°
118011 Raylan D34021/3000/14W/80/A45	D140xH115mmxØ130mm±1mm	3000	1500	14W	108	45°
118012 Raylan D34021/3500/14W/80/A45	D140xH115mmxØ130mm±1mm	3500	1540	14W	110	45°
118013 Raylan D34021/4000/14W/80/A45	D140xH115mmxØ130mm±1mm	4000	1570	14W	113	45°
118015 Raylan D34021/2700/14W/80/A55	D140xH115mmxØ130mm±1mm	2700	1485	14W	107	55°
118016 Raylan D34021/3000/14W/80/A55	D140xH115mmxØ130mm±1mm	3000	1500	14W	108	55°
118017 Raylan D34021/3500/14W/80/A55	D140xH115mmxØ130mm±1mm	3500	1540	14W	110	55°
118018 Raylan D34021/4000/14W/80/A55	D140xH115mmxØ130mm±1mm	4000	1570	14W	113	55°
118020 Raylan D34021/2700/20W/80/A20	D140xH115mmxØ130mm±1mm	2700	2080	20W	104	20°
118021 Raylan D34021/3000/20W/80/A20	D140xH115mmxØ130mm±1mm	3000	2100	20W	105	20°
118022 Raylan D34021/3500/20W/80/A20	D140xH115mmxØ130mm±1mm	3500	2160	20W	108	20°
118023 Raylan D34021/4000/20W/80/A20	D140xH115mmxØ130mm±1mm	4000	2200	20W	110	20°
118025 Raylan D34021/2700/20W/80/A30	D140xH115mmxØ130mm±1mm	2700	2080	20W	104	30°
118026 Raylan D34021/3000/20W/80/A30	D140xH115mmxØ130mm±1mm	3000	2100	20W	105	30°
118027 Raylan D34021/3500/20W/80/A30	D140xH115mmxØ130mm±1mm	3500	2160	20W	108	30°
118028 Raylan D34021/4000/20W/80/A30	D140xH115mmxØ130mm±1mm	4000	2200	20W	110	30°
118030 Raylan D34021/2700/20W/80/A45	D140xH115mmxØ130mm±1mm	2700	2080	20W	104	45°
118031 Raylan D34021/3000/20W/80/A45	D140xH115mmxØ130mm±1mm	3000	2100	20W	105	45°
118032 Raylan D34021/3500/20W/80/A45	D140xH115mmxØ130mm±1mm	3500	2160	20W	108	45°
118033 Raylan D34021/4000/20W/80/A45	D140xH115mmxØ130mm±1mm	4000	2200	20W	110	45°
118035 Raylan D34021/2700/20W/80/A55	D140xH115mmxØ130mm±1mm	2700	2080	20W	104	55°
118036 Raylan D34021/3000/20W/80/A55	D140xH115mmxØ130mm±1mm	3000	2100	20W	105	55°
118037 Raylan D34021/3500/20W/80/A55	D140xH115mmxØ130mm±1mm	3500	2160	20W	108	55°
118038 Raylan D34021/4000/20W/80/A55	D140xH115mmxØ130mm±1mm	4000	2200	20W	110	55°
118040 Raylan D34021/2700/27W/80/A20	D140xH115mmxØ130mm±1mm	2700	2945	27W	110	20°
118041 Raylan D34021/3000/27W/80/A20	D140xH115mmxØ130mm±1mm	3000	2970	27W	110	20°
118042 Raylan D34021/3500/27W/80/A20	D140xH115mmxØ130mm±1mm	3500	3055	27W	114	20°
118043 Raylan D34021/4000/27W/80/A20	D140xH115mmxØ130mm±1mm	4000	3135	27W	117	20°
118045 Raylan D34021/2700/27W/80/A30	D140xH115mmxØ130mm±1mm	2700	2945	27W	110	30°
118046 Raylan D34021/3000/27W/80/A30	D140xH115mmxØ130mm±1mm	3000	2970	27W	110	30°
118047 Raylan D34021/3500/27W/80/A30	D140xH115mmxØ130mm±1mm	3500	3055	27W	114	30°
118048 Raylan D34021/4000/27W/80/A30	D140xH115mmxØ130mm±1mm	4000	3135	27W	117	30°
118050 Raylan D34021/2700/27W/80/A45	D140xH115mmxØ130mm±1mm	2700	2945	27W	110	45°
118051 Raylan D34021/3000/27W/80/A45	D140xH115mmxØ130mm±1mm	3000	2970	27W	110	45°
118052 Raylan D34021/3500/27W/80/A45	D140xH115mmxØ130mm±1mm	3500	3055	27W	114	45°
118053 Raylan D34021/4000/27W/80/A45	D140xH115mmxØ130mm±1mm	4000	3135	27W	117	45°
118055 Raylan D34021/2700/27W/80/A55	D140xH115mmxØ130mm±1mm	2700	2945	27W	110	55°
118056 Raylan D34021/3000/27W/80/A55	D140xH115mmxØ130mm±1mm	3000	2970	27W	110	55°
118057 Raylan D34021/3500/27W/80/A55	D140xH115mmxØ130mm±1mm	3500	3055	27W	114	55°
118058 Raylan D34021/4000/27W/80/A55	D140xH115mmxØ130mm±1mm	4000	3135	27W	117	55°
118060 Raylan D34021/2700/35W/80/A20	D140xH115mmxØ130mm±1mm	2700	3710	35W	106	20°
118061 Raylan D34021/3000/35W/80/A20	D140xH115mmxØ130mm±1mm	3000	3745	35W	107	20°

SKU SPECIFICATIONS

Product Code	Dimensions (mm)	CCT (K)	Lumens (lm)	Power (W)	Eff. (lm/watt)	Lens Angle (°)
<b>CRI 80</b>						
118062 Raylan D34021/3500/35W/80/A20	D140xH115mmxØ130mm±1mm	3500	3815	35W	109	20°
118063 Raylan D34021/4000/35W/80/A20	D140xH115mmxØ130mm±1mm	4000	3920	35W	112	20°
118065 Raylan D34021/2700/35W/80/A30	D140xH115mmxØ130mm±1mm	2700	3710	35W	106	30°
118066 Raylan D34021/3000/35W/80/A30	D140xH115mmxØ130mm±1mm	3000	3745	35W	107	30°
118067 Raylan D34021/3500/35W/80/A30	D140xH115mmxØ130mm±1mm	3500	3815	35W	109	30°
118068 Raylan D34021/4000/35W/80/A30	D140xH115mmxØ130mm±1mm	4000	3920	35W	112	30°
118070 Raylan D34021/2700/35W/80/A45	D140xH115mmxØ130mm±1mm	2700	3710	35W	106	45°
118071 Raylan D34021/3000/35W/80/A45	D140xH115mmxØ130mm±1mm	3000	3745	35W	107	45°
118072 Raylan D34021/3500/35W/80/A45	D140xH115mmxØ130mm±1mm	3500	3815	35W	109	45°
118073 Raylan D34021/4000/35W/80/A45	D140xH115mmxØ130mm±1mm	4000	3920	35W	112	45°
118075 Raylan D34021/2700/35W/80/A55	D140xH115mmxØ130mm±1mm	2700	3710	35W	106	55°
118076 Raylan D34021/3000/35W/80/A55	D140xH115mmxØ130mm±1mm	3000	3745	35W	107	55°
118077 Raylan D34021/3500/35W/80/A55	D140xH115mmxØ130mm±1mm	3500	3815	35W	109	55°
118078 Raylan D34021/4000/35W/80/A55	D140xH115mmxØ130mm±1mm	4000	3920	35W	112	55°
118080 Raylan D34013/2700/14W/80/A15	D180xH124mmxØ170mm±1mm	2700	1485	14W	107	15°
118081 Raylan D34013/3000/14W/80/A15	D180xH124mmxØ170mm±1mm	3000	1500	14W	108	15°
118082 Raylan D34013/3500/14W/80/A15	D180xH124mmxØ170mm±1mm	3500	1540	14W	110	15°
118083 Raylan D34013/4000/14W/80/A15	D180xH124mmxØ170mm±1mm	4000	1570	14W	113	15°
118085 Raylan D34013/2700/14W/80/A30	D180xH124mmxØ170mm±1mm	2700	1485	14W	107	30°
118086 Raylan D34013/3000/14W/80/A30	D180xH124mmxØ170mm±1mm	3000	1500	14W	108	30°
118087 Raylan D34013/3500/14W/80/A30	D180xH124mmxØ170mm±1mm	3500	1540	14W	110	30°
118088 Raylan D34013/4000/14W/80/A30	D180xH124mmxØ170mm±1mm	4000	1570	14W	113	30°
118090 Raylan D34013/2700/14W/80/A45	D180xH124mmxØ170mm±1mm	2700	1485	14W	107	45°
118091 Raylan D34013/3000/14W/80/A45	D180xH124mmxØ170mm±1mm	3000	1500	14W	108	45°
118092 Raylan D34013/3500/14W/80/A45	D180xH124mmxØ170mm±1mm	3500	1540	14W	110	45°
118093 Raylan D34013/4000/14W/80/A45	D180xH124mmxØ170mm±1mm	4000	1570	14W	113	45°
118095 Raylan D34013/2700/20W/80/A15	D180xH124mmxØ170mm±1mm	2700	2080	20W	104	15°
118096 Raylan D34013/3000/20W/80/A15	D180xH124mmxØ170mm±1mm	3000	2100	20W	105	15°
118097 Raylan D34013/3500/20W/80/A15	D180xH124mmxØ170mm±1mm	3500	2160	20W	108	15°
118098 Raylan D34013/4000/20W/80/A15	D180xH124mmxØ170mm±1mm	4000	2200	20W	110	15°
118100 Raylan D34013/2700/20W/80/A30	D180xH124mmxØ170mm±1mm	2700	2080	20W	104	30°
118101 Raylan D34013/3000/20W/80/A30	D180xH124mmxØ170mm±1mm	3000	2100	20W	105	30°
118102 Raylan D34013/3500/20W/80/A30	D180xH124mmxØ170mm±1mm	3500	2160	20W	108	30°
118103 Raylan D34013/4000/20W/80/A30	D180xH124mmxØ170mm±1mm	4000	2200	20W	110	30°
118105 Raylan D34013/2700/20W/80/A45	D180xH124mmxØ170mm±1mm	2700	2080	20W	104	45°
118106 Raylan D34013/3000/20W/80/A45	D180xH124mmxØ170mm±1mm	3000	2100	20W	105	45°
118107 Raylan D34013/3500/20W/80/A45	D180xH124mmxØ170mm±1mm	3500	2160	20W	108	45°
118108 Raylan D34013/4000/20W/80/A45	D180xH124mmxØ170mm±1mm	4000	2200	20W	110	45°
118110 Raylan D34013/2700/27W/80/A15	D180xH124mmxØ170mm±1mm	2700	2945	27W	110	15°
118111 Raylan D34013/3000/27W/80/A15	D180xH124mmxØ170mm±1mm	3000	2970	27W	110	15°
118112 Raylan D34013/3500/27W/80/A15	D180xH124mmxØ170mm±1mm	3500	3055	27W	114	15°
118113 Raylan D34013/4000/27W/80/A15	D180xH124mmxØ170mm±1mm	4000	3135	27W	117	15°
118115 Raylan D34013/2700/27W/80/A30	D180xH124mmxØ170mm±1mm	2700	2945	27W	110	30°
118116 Raylan D34013/3000/27W/80/A30	D180xH124mmxØ170mm±1mm	3000	2970	27W	110	30°
118117 Raylan D34013/3500/27W/80/A30	D180xH124mmxØ170mm±1mm	3500	3055	27W	114	30°
118118 Raylan D34013/4000/27W/80/A30	D180xH124mmxØ170mm±1mm	4000	3135	27W	117	30°
118120 Raylan D34013/2700/27W/80/A45	D180xH124mmxØ170mm±1mm	2700	2945	27W	110	45°
118121 Raylan D34013/3000/27W/80/A45	D180xH124mmxØ170mm±1mm	3000	2970	27W	110	45°
118122 Raylan D34013/3500/27W/80/A45	D180xH124mmxØ170mm±1mm	3500	3055	27W	114	45°
118123 Raylan D34013/4000/27W/80/A45	D180xH124mmxØ170mm±1mm	4000	3135	27W	117	45°

SKU SPECIFICATIONS

Product Code	Dimensions (mm)	CCT (K)	Lumens (lm)	Power (W)	Eff. (lm/watt)	Lens Angle (°)
<b>CRI 80</b>						
118125 Raylan D34013/2700/35W/80/A15	D180xH124mmxØ170mm±1mm	2700	3710	35W	106	15°
118126 Raylan D34013/3000/35W/80/A15	D180xH124mmxØ170mm±1mm	3000	3745	35W	107	15°
118127 Raylan D34013/3500/35W/80/A15	D180xH124mmxØ170mm±1mm	3500	3815	35W	109	15°
118128 Raylan D34013/4000/35W/80/A15	D180xH124mmxØ170mm±1mm	4000	3920	35W	112	15°
118130 Raylan D34013/2700/35W/80/A30	D180xH124mmxØ170mm±1mm	2700	3710	35W	106	30°
118131 Raylan D34013/3000/35W/80/A30	D180xH124mmxØ170mm±1mm	3000	3745	35W	107	30°
118132 Raylan D34013/3500/35W/80/A30	D180xH124mmxØ170mm±1mm	3500	3815	35W	109	30°
118133 Raylan D34013/4000/35W/80/A30	D180xH124mmxØ170mm±1mm	4000	3920	35W	112	30°
118135 Raylan D34013/2700/35W/80/A45	D180xH124mmxØ170mm±1mm	2700	3710	35W	106	45°
118136 Raylan D34013/3000/35W/80/A45	D180xH124mmxØ170mm±1mm	3000	3745	35W	107	45°
118137 Raylan D34013/3500/35W/80/A45	D180xH124mmxØ170mm±1mm	3500	3815	35W	109	45°
118138 Raylan D34013/4000/35W/80/A45	D180xH124mmxØ170mm±1mm	4000	3920	35W	112	45°
118168 Raylan D34021/BVF/27W/80/A20	D140xH115mmxØ130mm±1mm	BVF	2065	27W	77	20°
118169 Raylan D34021/FBS/27W/80/A20	D140xH115mmxØ130mm±1mm	FBS	1635	27W	61	20°
118170 Raylan D34021/FZM/27W/80/A20	D140xH115mmxØ130mm±1mm	FZM	1530	27W	57	20°
118171 Raylan D34021/FSM/27W/80/A20	D140xH115mmxØ130mm±1mm	FSM	1530	27W	57	20°
118224 Raylan D34021/FSH/27W/80/A20	D140xH115mmxØ130mm±1mm	FSH	2250	27W	84	20°
118172 Raylan D34021/BVF/27W/80/A30	D140xH115mmxØ130mm±1mm	BVF	2065	27W	77	30°
118173 Raylan D34021/FBS/27W/80/A30	D140xH115mmxØ130mm±1mm	FBS	1635	27W	61	30°
118174 Raylan D34021/FZM/27W/80/A30	D140xH115mmxØ130mm±1mm	FZM	1530	27W	57	30°
118175 Raylan D34021/FSM/27W/80/A30	D140xH115mmxØ130mm±1mm	FSM	1530	27W	57	30°
118225 Raylan D34021/FSH/27W/80/A30	D140xH115mmxØ130mm±1mm	FSH	2250	27W	84	30°
118176 Raylan D34021/BVF/27W/80/A45	D140xH115mmxØ130mm±1mm	BVF	2065	27W	77	45°
118177 Raylan D34021/FBS/27W/80/A45	D140xH115mmxØ130mm±1mm	FBS	1635	27W	61	45°
118178 Raylan D34021/FZM/27W/80/A45	D140xH115mmxØ130mm±1mm	FZM	1530	27W	57	45°
118179 Raylan D34021/FSM/27W/80/A45	D140xH115mmxØ130mm±1mm	FSM	1530	27W	57	45°
118226 Raylan D34021/FSH/27W/80/A45	D140xH115mmxØ130mm±1mm	FSH	2250	27W	84	45°
118180 Raylan D34021/BVF/27W/80/A55	D140xH115mmxØ130mm±1mm	BVF	2065	27W	77	55°
118181 Raylan D34021/FBS/27W/80/A55	D140xH115mmxØ130mm±1mm	FBS	1635	27W	61	55°
118182 Raylan D34021/FZM/27W/80/A55	D140xH115mmxØ130mm±1mm	FZM	1530	27W	57	55°
118183 Raylan D34021/FSM/27W/80/A55	D140xH115mmxØ130mm±1mm	FSM	1530	27W	57	55°
118227 Raylan D34021/FSH/27W/80/A55	D140xH115mmxØ130mm±1mm	FSH	2250	27W	84	55°
118184 Raylan D34021/BVF/35W/80/A20	D140xH115mmxØ130mm±1mm	BVF	2590	35W	74	20°
118185 Raylan D34021/FBS/35W/80/A20	D140xH115mmxØ130mm±1mm	FBS	2115	35W	61	20°
118186 Raylan D34021/FZM/35W/80/A20	D140xH115mmxØ130mm±1mm	FZM	1980	35W	57	20°
118187 Raylan D34021/FSM/35W/80/A20	D140xH115mmxØ130mm±1mm	FSM	1980	35W	57	20°
118228 Raylan D34021/FSH/35W/80/A20	D140xH115mmxØ130mm±1mm	FSH	2755	35W	79	20°
118188 Raylan D34021/BVF/35W/80/A30	D140xH115mmxØ130mm±1mm	BVF	2590	35W	74	30°
118189 Raylan D34021/FBS/35W/80/A30	D140xH115mmxØ130mm±1mm	FBS	2115	35W	61	30°
118190 Raylan D34021/FZM/35W/80/A30	D140xH115mmxØ130mm±1mm	FZM	1980	35W	57	30°
118191 Raylan D34021/FSM/35W/80/A30	D140xH115mmxØ130mm±1mm	FSM	1980	35W	57	30°
118229 Raylan D34021/FSH/35W/80/A30	D140xH115mmxØ130mm±1mm	FSH	2755	35W	79	30°
118192 Raylan D34021/BVF/35W/80/A45	D140xH115mmxØ130mm±1mm	BVF	2590	35W	74	45°
118193 Raylan D34021/FBS/35W/80/A45	D140xH115mmxØ130mm±1mm	FBS	2115	35W	61	45°
118194 Raylan D34021/FZM/35W/80/A45	D140xH115mmxØ130mm±1mm	FZM	1980	35W	57	45°
118195 Raylan D34021/FSM/35W/80/A45	D140xH115mmxØ130mm±1mm	FSM	1980	35W	57	45°
118230 Raylan D34021/FSH/35W/80/A45	D140xH115mmxØ130mm±1mm	FSH	2755	35W	79	45°
118196 Raylan D34021/BVF/35W/80/A55	D140xH115mmxØ130mm±1mm	BVF	2590	35W	74	55°
118197 Raylan D34021/FBS/35W/80/A55	D140xH115mmxØ130mm±1mm	FBS	2115	35W	61	55°
118198 Raylan D34021/FZM/35W/80/A55	D140xH115mmxØ130mm±1mm	FZM	1980	35W	57	55°



SKU SPECIFICATIONS

Product Code	Dimensions (mm)	CCT (K)	Lumens (lm)	Power (W)	Eff. (lm/watt)	Lens Angle (°)
<b>CRI 80</b>						
118199 Raylan D34021/FSM/35W/80/A55	D140xH115mmxØ130mm±1mm	FSM	1980	35W	57	55°
118231 Raylan D34021/FSH/35W/80/A55	D140xH115mmxØ130mm±1mm	FSH	2755	35W	79	55°
118200 Raylan D34013/BVF/27W/80/A15	D180xH124mmxØ170mm±1mm	BVF	2065	27W	77	15°
118201 Raylan D34013/FBS/27W/80/A15	D180xH124mmxØ170mm±1mm	FBS	1635	27W	61	15°
118202 Raylan D34013/FZM/27W/80/A15	D180xH124mmxØ170mm±1mm	FZM	1530	27W	57	15°
118203 Raylan D34013/FSM/27W/80/A15	D180xH124mmxØ170mm±1mm	FSM	1530	27W	57	15°
118232 Raylan D34013/FSH/27W/80/A15	D180xH124mmxØ170mm±1mm	FSH	2250	27W	84	15°
118204 Raylan D34013/BVF/27W/80/A30	D180xH124mmxØ170mm±1mm	BVF	2065	27W	77	30°
118205 Raylan D34013/FBS/27W/80/A30	D180xH124mmxØ170mm±1mm	FBS	1635	27W	61	30°
118206 Raylan D34013/FZM/27W/80/A30	D180xH124mmxØ170mm±1mm	FZM	1530	27W	57	30°
118207 Raylan D34013/FSM/27W/80/A30	D180xH124mmxØ170mm±1mm	FSM	1530	27W	57	30°
118233 Raylan D34013/FSH/27W/80/A30	D180xH124mmxØ170mm±1mm	FSH	2250	27W	84	30°
118208 Raylan D34013/BVF/27W/80/A45	D180xH124mmxØ170mm±1mm	BVF	2065	27W	77	45°
118209 Raylan D34013/FBS/27W/80/A45	D180xH124mmxØ170mm±1mm	FBS	1635	27W	61	45°
118210 Raylan D34013/FZM/27W/80/A45	D180xH124mmxØ170mm±1mm	FZM	1530	27W	57	45°
118211 Raylan D34013/FSM/27W/80/A45	D180xH124mmxØ170mm±1mm	FSM	1530	27W	57	45°
118234 Raylan D34013/FSH/27W/80/A45	D180xH124mmxØ170mm±1mm	FSH	2250	27W	84	45°
118212 Raylan D34013/BVF/35W/80/A15	D180xH124mmxØ170mm±1mm	BVF	2590	35W	74	15°
118213 Raylan D34013/FBS/35W/80/A15	D180xH124mmxØ170mm±1mm	FBS	2115	35W	61	15°
118214 Raylan D34013/FZM/35W/80/A15	D180xH124mmxØ170mm±1mm	FZM	1980	35W	57	15°
118215 Raylan D34013/FSM/35W/80/A15	D180xH124mmxØ170mm±1mm	FSM	1980	35W	57	15°
118235 Raylan D34013/FSH/35W/80/A15	D180xH124mmxØ170mm±1mm	FSH	2755	35W	79	15°
118216 Raylan D34013/BVF/35W/80/A30	D180xH124mmxØ170mm±1mm	BVF	2590	35W	74	30°
118217 Raylan D34013/FBS/35W/80/A30	D180xH124mmxØ170mm±1mm	FBS	2115	35W	61	30°
118218 Raylan D34013/FZM/35W/80/A30	D180xH124mmxØ170mm±1mm	FZM	1980	35W	57	30°
118219 Raylan D34013/FSM/35W/80/A30	D180xH124mmxØ170mm±1mm	FSM	1980	35W	57	30°
118236 Raylan D34013/FSH/35W/80/A30	D180xH124mmxØ170mm±1mm	FSH	2755	35W	79	30°
118220 Raylan D34013/BVF/35W/80/A45	D180xH124mmxØ170mm±1mm	BVF	2590	35W	74	45°
118221 Raylan D34013/FBS/35W/80/A45	D180xH124mmxØ170mm±1mm	FBS	2115	35W	61	45°
118222 Raylan D34013/FZM/35W/80/A45	D180xH124mmxØ170mm±1mm	FZM	1980	35W	57	45°
118223 Raylan D34013/FSM/35W/80/A45	D180xH124mmxØ170mm±1mm	FSM	1980	35W	57	45°
118237 Raylan D34013/FSH/35W/80/A45	D180xH124mmxØ170mm±1mm	FSH	2755	35W	79	45°
1181280 Raylan D34021/AMB2200/14W/80/A20	D140xH115mmxØ130mm±1mm	AMB2200K	1020	14W	73	20°
1181281 Raylan D34021/AMB2200/14W/80/A30	D140xH115mmxØ130mm±1mm	AMB2200K	1020	14W	73	30°
1181282 Raylan D34021/AMB2200/14W/80/A45	D140xH115mmxØ130mm±1mm	AMB2200K	1020	14W	73	45°
1181283 Raylan D34021/AMB2200/14W/80/A55	D140xH115mmxØ130mm±1mm	AMB2200K	1020	14W	73	55°
1181284 Raylan D34021/AMB2200/20W/80/A20	D140xH115mmxØ130mm±1mm	AMB2200K	1410	20W	71	20°
1181285 Raylan D34021/AMB2200/20W/80/A30	D140xH115mmxØ130mm±1mm	AMB2200K	1410	20W	71	30°
1181286 Raylan D34021/AMB2200/20W/80/A45	D140xH115mmxØ130mm±1mm	AMB2200K	1410	20W	71	45°
1181287 Raylan D34021/AMB2200/20W/80/A55	D140xH115mmxØ130mm±1mm	AMB2200K	1410	20W	71	55°
1181288 Raylan D34021/AMB2200/27W/80/A20	D140xH115mmxØ130mm±1mm	AMB2200K	1870	27W	70	20°
1181289 Raylan D34021/AMB2200/27W/80/A30	D140xH115mmxØ130mm±1mm	AMB2200K	1870	27W	70	30°
1181290 Raylan D34021/AMB2200/27W/80/A45	D140xH115mmxØ130mm±1mm	AMB2200K	1870	27W	70	45°
1181291 Raylan D34021/AMB2200/27W/80/A55	D140xH115mmxØ130mm±1mm	AMB2200K	1870	27W	70	55°
1181292 Raylan D34021/AMB2200/35W/80/A20	D140xH115mmxØ130mm±1mm	AMB2200K	2585	35W	74	20°
1181293 Raylan D34021/AMB2200/35W/80/A30	D140xH115mmxØ130mm±1mm	AMB2200K	2585	35W	74	30°
1181294 Raylan D34021/AMB2200/35W/80/A45	D140xH115mmxØ130mm±1mm	AMB2200K	2585	35W	74	45°
1181295 Raylan D34021/AMB2200/35W/80/A55	D140xH115mmxØ130mm±1mm	AMB2200K	2585	35W	74	55°
1181300 Raylan D34013/AMB2200/14W/80/A15	D140xH115mmxØ130mm±1mm	AMB2200K	1020	14W	73	15°
1181301 Raylan D34013/AMB2200/14W/80/A30	D140xH115mmxØ130mm±1mm	AMB2200K	1020	14W	73	30°

SKU SPECIFICATIONS

Product Code	Dimensions (mm)	CCT (K)	Lumens (lm)	Power (W)	Eff. (lm/watt)	Lens Angle (°)
<b>CRI 80</b>						
1181302 Raylan D34013/AMB2200/14W/80/A45	D140xH115mmxØ130mm±1mm	AMB2200K	1020	14W	73	45°
1181303 Raylan D34013/AMB2200/20W/80/A15	D140xH115mmxØ130mm±1mm	AMB2200K	1410	20W	71	15°
1181304 Raylan D34013/AMB2200/20W/80/A30	D140xH115mmxØ130mm±1mm	AMB2200K	1410	20W	71	30°
1181305 Raylan D34013/AMB2200/20W/80/A45	D140xH115mmxØ130mm±1mm	AMB2200K	1410	20W	71	45°
1181306 Raylan D34013/AMB2200/27W/80/A15	D140xH115mmxØ130mm±1mm	AMB2200K	1870	27W	70	15°
1181307 Raylan D34013/AMB2200/27W/80/A30	D140xH115mmxØ130mm±1mm	AMB2200K	1870	27W	70	30°
1181308 Raylan D34013/AMB2200/27W/80/A45	D140xH115mmxØ130mm±1mm	AMB2200K	1870	27W	70	45°
1181309 Raylan D34013/AMB2200/35W/80/A15	D140xH115mmxØ130mm±1mm	AMB2200K	2585	35W	74	15°
1181310 Raylan D34013/AMB2200/35W/80/A30	D140xH115mmxØ130mm±1mm	AMB2200K	2585	35W	74	30°
1181311 Raylan D34013/AMB2200/35W/80/A45	D140xH115mmxØ130mm±1mm	AMB2200K	2585	35W	74	45°
1181385 Raylan D34013_H80/2700/42W/80/A15	D140xH115mmxØ130mm±1mm	2700	4200	42W	100	15°
1181386 Raylan D34013_H80/3000/42W/80/A15	D140xH115mmxØ130mm±1mm	3000	4200	42W	100	15°
1181387 Raylan D34013_H80/3500/42W/80/A15	D140xH115mmxØ130mm±1mm	3500	4330	42W	103	15°
1181388 Raylan D34013_H80/4000/42W/80/A15	D140xH115mmxØ130mm±1mm	4000	4455	42W	106	15°
1181390 Raylan D34013_H80/2700/42W/80/A30	D140xH115mmxØ130mm±1mm	2700	4200	42W	100	30°
1181391 Raylan D34013_H80/3000/42W/80/A30	D140xH115mmxØ130mm±1mm	3000	4200	42W	100	30°
1181392 Raylan D34013_H80/3500/42W/80/A30	D140xH115mmxØ130mm±1mm	3500	4330	42W	103	30°
1181393 Raylan D34013_H80/4000/42W/80/A30	D140xH115mmxØ130mm±1mm	4000	4455	42W	106	30°
1181395 Raylan D34013_H80/2700/42W/80/A45	D140xH115mmxØ130mm±1mm	2700	4200	42W	100	45°
1181396 Raylan D34013_H80/3000/42W/80/A45	D140xH115mmxØ130mm±1mm	3000	4200	42W	100	45°
1181397 Raylan D34013_H80/3500/42W/80/A45	D140xH115mmxØ130mm±1mm	3500	4330	42W	103	45°
1181398 Raylan D34013_H80/4000/42W/80/A45	D140xH115mmxØ130mm±1mm	4000	4455	42W	106	45°
<b>CRI 90</b>						
1181322 Raylan D34021/ENT5600/16W/90/A20	D140xH115mmxØ130mm±1mm	ENT5600	1555	16W	98	20°
1181323 Raylan D34021/ENT5600/16W/90/A30	D140xH115mmxØ130mm±1mm	ENT5600	1555	16W	98	30°
1181324 Raylan D34021/ENT5600/16W/90/A45	D140xH115mmxØ130mm±1mm	ENT5600	1555	16W	98	45°
1181325 Raylan D34021/ENT5600/16W/90/A55	D140xH115mmxØ130mm±1mm	ENT5600	1555	16W	98	55°
1181326 Raylan D34021/ENT5600/21W/90/A20	D140xH115mmxØ130mm±1mm	ENT5600	2030	21W	97	20°
1181327 Raylan D34021/ENT5600/21W/90/A30	D140xH115mmxØ130mm±1mm	ENT5600	2030	21W	97	30°
1181328 Raylan D34021/ENT5600/21W/90/A45	D140xH115mmxØ130mm±1mm	ENT5600	2030	21W	97	45°
1181329 Raylan D34021/ENT5600/21W/90/A55	D140xH115mmxØ130mm±1mm	ENT5600	2030	21W	97	55°
1181330 Raylan D34021/ENT5600/27W/90/A20	D140xH115mmxØ130mm±1mm	ENT5600	2575	27W	96	20°
1181331 Raylan D34021/ENT5600/27W/90/A30	D140xH115mmxØ130mm±1mm	ENT5600	2575	27W	96	30°
1181332 Raylan D34021/ENT5600/27W/90/A45	D140xH115mmxØ130mm±1mm	ENT5600	2575	27W	96	45°
1181333 Raylan D34021/ENT5600/27W/90/A55	D140xH115mmxØ130mm±1mm	ENT5600	2575	27W	96	55°
1181334 Raylan D34021/ENT5600/32W/90/A20	D140xH115mmxØ130mm±1mm	ENT5600	3005	32W	94	20°
1181335 Raylan D34021/ENT5600/32W/90/A30	D140xH115mmxØ130mm±1mm	ENT5600	3005	32W	94	30°
1181336 Raylan D34021/ENT5600/32W/90/A45	D140xH115mmxØ130mm±1mm	ENT5600	3005	32W	94	45°
1181337 Raylan D34021/ENT5600/32W/90/A55	D140xH115mmxØ130mm±1mm	ENT5600	3005	32W	94	55°
1181338 Raylan D34013/ENT5600/16W/90/A15	D180xH124mmxØ170mm±1mm	ENT5600	1555	16W	98	15°
1181339 Raylan D34013/ENT5600/16W/90/A30	D180xH124mmxØ170mm±1mm	ENT5600	1555	16W	98	30°
1181340 Raylan D34013/ENT5600/16W/90/A45	D180xH124mmxØ170mm±1mm	ENT5600	1555	16W	98	45°
1181341 Raylan D34013/ENT5600/21W/90/A15	D180xH124mmxØ170mm±1mm	ENT5600	2030	21W	97	15°
1181342 Raylan D34013/ENT5600/21W/90/A30	D180xH124mmxØ170mm±1mm	ENT5600	2030	21W	97	30°
1181343 Raylan D34013/ENT5600/21W/90/A45	D180xH124mmxØ170mm±1mm	ENT5600	2030	21W	97	45°
1181344 Raylan D34013/ENT5600/27W/90/A15	D180xH124mmxØ170mm±1mm	ENT5600	2575	27W	96	15°
1181345 Raylan D34013/ENT5600/27W/90/A30	D180xH124mmxØ170mm±1mm	ENT5600	2575	27W	96	30°
1181346 Raylan D34013/ENT5600/27W/90/A45	D180xH124mmxØ170mm±1mm	ENT5600	2575	27W	96	45°
1181347 Raylan D34013/ENT5600/32W/90/A15	D180xH124mmxØ170mm±1mm	ENT5600	3005	32W	94	15°



SKU SPECIFICATIONS

Product Code	Dimensions (mm)	CCT (K)	Lumens (lm)	Power (W)	Eff. (lm/watt)	Lens Angle (°)
<b>CRI 90</b>						
1181348 Raylan D34013/ENT5600/32W/90/A30	D180xH124mmxØ170mm±1mm	ENT5600	3005	32W	94	30°
1181349 Raylan D34013/ENT5600/32W/90/A45	D180xH124mmxØ170mm±1mm	ENT5600	3005	32W	94	45°
<b>CRI 93</b>						
118931 Raylan D34021/AGI3000/17W/93/A20	D140xH115mmxØ130mm±1mm	AGI3000	985	17W	58	20°
118932 Raylan D34021/AGI3500/17W/93/A20	D140xH115mmxØ130mm±1mm	AGI3500	1050	17W	62	20°
118933 Raylan D34021/AGI4000/17W/93/A20	D140xH115mmxØ130mm±1mm	AGI4000	1115	17W	66	20°
118934 Raylan D34021/AGI3000/17W/93/A30	D140xH115mmxØ130mm±1mm	AGI3000	985	17W	58	30°
118935 Raylan D34021/AGI3500/17W/93/A30	D140xH115mmxØ130mm±1mm	AGI3500	1050	17W	62	30°
118936 Raylan D34021/AGI4000/17W/93/A30	D140xH115mmxØ130mm±1mm	AGI4000	1115	17W	66	30°
118937 Raylan D34021/AGI3000/17W/93/A45	D140xH115mmxØ130mm±1mm	AGI3000	985	17W	58	45°
118938 Raylan D34021/AGI3500/17W/93/A45	D140xH115mmxØ130mm±1mm	AGI3500	1050	17W	62	45°
118939 Raylan D34021/AGI4000/17W/93/A45	D140xH115mmxØ130mm±1mm	AGI4000	1115	17W	66	45°
118940 Raylan D34021/AGI3000/17W/93/A55	D140xH115mmxØ130mm±1mm	AGI3000	985	17W	58	55°
118941 Raylan D34021/AGI3500/17W/93/A55	D140xH115mmxØ130mm±1mm	AGI3500	1050	17W	62	55°
118942 Raylan D34021/AGI4000/17W/93/A55	D140xH115mmxØ130mm±1mm	AGI4000	1115	17W	66	55°
118943 Raylan D34021/AGI3000/23W/93/A20	D140xH115mmxØ130mm±1mm	AGI3000	1330	23W	58	20°
118944 Raylan D34021/AGI3500/23W/93/A20	D140xH115mmxØ130mm±1mm	AGI3500	1440	23W	63	20°
118945 Raylan D34021/AGI4000/23W/93/A20	D140xH115mmxØ130mm±1mm	AGI4000	1550	23W	68	20°
118946 Raylan D34021/AGI3000/23W/93/A30	D140xH115mmxØ130mm±1mm	AGI3000	1330	23W	58	30°
118947 Raylan D34021/AGI3500/23W/93/A30	D140xH115mmxØ130mm±1mm	AGI3500	1440	23W	63	30°
118948 Raylan D34021/AGI4000/23W/93/A30	D140xH115mmxØ130mm±1mm	AGI4000	1550	23W	68	30°
118949 Raylan D34021/AGI3000/23W/93/A45	D140xH115mmxØ130mm±1mm	AGI3000	1330	23W	58	45°
118950 Raylan D34021/AGI3500/23W/93/A45	D140xH115mmxØ130mm±1mm	AGI3500	1440	23W	63	45°
118951 Raylan D34021/AGI4000/23W/93/A45	D140xH115mmxØ130mm±1mm	AGI4000	1550	23W	68	45°
118952 Raylan D34021/AGI3000/23W/93/A55	D140xH115mmxØ130mm±1mm	AGI3000	1330	23W	58	55°
118953 Raylan D34021/AGI3500/23W/93/A55	D140xH115mmxØ130mm±1mm	AGI3500	1440	23W	63	55°
118954 Raylan D34021/AGI4000/23W/93/A55	D140xH115mmxØ130mm±1mm	AGI4000	1550	23W	68	55°
118955 Raylan D34021/AGI3000/29W/93/A20	D140xH115mmxØ130mm±1mm	AGI3000	1680	29W	58	20°
118956 Raylan D34021/AGI3500/29W/93/A20	D140xH115mmxØ130mm±1mm	AGI3500	1820	29W	63	20°
118957 Raylan D34021/AGI4000/29W/93/A20	D140xH115mmxØ130mm±1mm	AGI4000	1960	29W	68	20°
118958 Raylan D34021/AGI3000/29W/93/A30	D140xH115mmxØ130mm±1mm	AGI3000	1680	29W	58	30°
118959 Raylan D34021/AGI3500/29W/93/A30	D140xH115mmxØ130mm±1mm	AGI3500	1820	29W	63	30°
118960 Raylan D34021/AGI4000/29W/93/A30	D140xH115mmxØ130mm±1mm	AGI4000	1960	29W	68	30°
118961 Raylan D34021/AGI3000/29W/93/A45	D140xH115mmxØ130mm±1mm	AGI3000	1680	29W	58	45°
118962 Raylan D34021/AGI3500/29W/93/A45	D140xH115mmxØ130mm±1mm	AGI3500	1820	29W	63	45°
118963 Raylan D34021/AGI4000/29W/93/A45	D140xH115mmxØ130mm±1mm	AGI4000	1960	29W	68	45°
118964 Raylan D34021/AGI3000/29W/93/A55	D140xH115mmxØ130mm±1mm	AGI3000	1680	29W	58	55°
118965 Raylan D34021/AGI3500/29W/93/A55	D140xH115mmxØ130mm±1mm	AGI3500	1820	29W	63	55°
118966 Raylan D34021/AGI4000/29W/93/A55	D140xH115mmxØ130mm±1mm	AGI4000	1960	29W	68	55°
118967 Raylan D34021/AGI3000/34W/93/A20	D140xH115mmxØ130mm±1mm	AGI3000	1900	34W	56	20°
118968 Raylan D34021/AGI3500/34W/93/A20	D140xH115mmxØ130mm±1mm	AGI3500	1995	34W	59	20°
118969 Raylan D34021/AGI4000/34W/93/A20	D140xH115mmxØ130mm±1mm	AGI4000	2095	34W	62	20°
118970 Raylan D34021/AGI3000/34W/93/A30	D140xH115mmxØ130mm±1mm	AGI3000	1900	34W	56	30°
118971 Raylan D34021/AGI3500/34W/93/A30	D140xH115mmxØ130mm±1mm	AGI3500	1995	34W	59	30°
118972 Raylan D34021/AGI4000/34W/93/A30	D140xH115mmxØ130mm±1mm	AGI4000	2095	34W	62	30°
118973 Raylan D34021/AGI3000/34W/93/A45	D140xH115mmxØ130mm±1mm	AGI3000	1900	34W	56	45°
118974 Raylan D34021/AGI3500/34W/93/A45	D140xH115mmxØ130mm±1mm	AGI3500	1995	34W	59	45°
118975 Raylan D34021/AGI4000/34W/93/A45	D140xH115mmxØ130mm±1mm	AGI4000	2095	34W	62	45°
118976 Raylan D34021/AGI3000/34W/93/A55	D140xH115mmxØ130mm±1mm	AGI3000	1900	34W	56	55°

SKU SPECIFICATIONS

Product Code	Dimensions (mm)	CCT (K)	Lumens (lm)	Power (W)	Eff. (lm/watt)	Lens Angle (°)
<b>CRI 93</b>						
118977 Raylan D34021/AGI3500/34W/93/A55	D140xH115mmxØ130mm±1mm	AGI3500	1995	34W	59	55°
118978 Raylan D34021/AGI4000/34W/93/A55	D140xH115mmxØ130mm±1mm	AGI4000	2095	34W	62	55°
118266 Raylan D34013/AGI3000/17W/93/A15	D180xH124mmxØ170mm±1mm	AGI3000	985	17W	58	15°
118267 Raylan D34013/AGI3500/17W/93/A15	D180xH124mmxØ170mm±1mm	AGI3500	1050	17W	62	15°
118268 Raylan D34013/AGI4000/17W/93/A15	D180xH124mmxØ170mm±1mm	AGI4000	1115	17W	66	15°
118269 Raylan D34013/AGI3000/17W/93/A30	D180xH124mmxØ170mm±1mm	AGI3000	985	17W	58	30°
118270 Raylan D34013/AGI3500/17W/93/A30	D180xH124mmxØ170mm±1mm	AGI3500	1050	17W	62	30°
118271 Raylan D34013/AGI4000/17W/93/A30	D180xH124mmxØ170mm±1mm	AGI4000	1115	17W	66	30°
118272 Raylan D34013/AGI3000/17W/93/A45	D180xH124mmxØ170mm±1mm	AGI3000	985	17W	58	45°
118273 Raylan D34013/AGI3500/17W/93/A45	D180xH124mmxØ170mm±1mm	AGI3500	1050	17W	62	45°
118274 Raylan D34013/AGI4000/17W/93/A45	D180xH124mmxØ170mm±1mm	AGI4000	1115	17W	66	45°
118275 Raylan D34013/AGI3000/23W/93/A15	D180xH124mmxØ170mm±1mm	AGI3000	1330	23W	58	15°
118276 Raylan D34013/AGI3500/23W/93/A15	D180xH124mmxØ170mm±1mm	AGI3500	1440	23W	63	15°
118277 Raylan D34013/AGI4000/23W/93/A15	D180xH124mmxØ170mm±1mm	AGI4000	1550	23W	68	15°
118278 Raylan D34013/AGI3000/23W/93/A30	D180xH124mmxØ170mm±1mm	AGI3000	1330	23W	58	30°
118279 Raylan D34013/AGI3500/23W/93/A30	D180xH124mmxØ170mm±1mm	AGI3500	1440	23W	63	30°
118280 Raylan D34013/AGI4000/23W/93/A30	D180xH124mmxØ170mm±1mm	AGI4000	1550	23W	68	30°
118281 Raylan D34013/AGI3000/23W/93/A45	D180xH124mmxØ170mm±1mm	AGI3000	1330	23W	58	45°
118282 Raylan D34013/AGI3500/23W/93/A45	D180xH124mmxØ170mm±1mm	AGI3500	1440	23W	63	45°
118283 Raylan D34013/AGI4000/23W/93/A45	D180xH124mmxØ170mm±1mm	AGI4000	1550	23W	68	45°
118284 Raylan D34013/AGI3000/29W/93/A15	D180xH124mmxØ170mm±1mm	AGI3000	1680	29W	58	15°
118285 Raylan D34013/AGI3500/29W/93/A15	D180xH124mmxØ170mm±1mm	AGI3500	1820	29W	63	15°
118286 Raylan D34013/AGI4000/29W/93/A15	D180xH124mmxØ170mm±1mm	AGI4000	1960	29W	68	15°
118287 Raylan D34013/AGI3000/29W/93/A30	D180xH124mmxØ170mm±1mm	AGI3000	1680	29W	58	30°
118288 Raylan D34013/AGI3500/29W/93/A30	D180xH124mmxØ170mm±1mm	AGI3500	1820	29W	63	30°
118289 Raylan D34013/AGI4000/29W/93/A30	D180xH124mmxØ170mm±1mm	AGI4000	1960	29W	68	30°
118290 Raylan D34013/AGI3000/29W/93/A45	D180xH124mmxØ170mm±1mm	AGI3000	1680	29W	58	45°
118291 Raylan D34013/AGI3500/29W/93/A45	D180xH124mmxØ170mm±1mm	AGI3500	1820	29W	63	45°
118292 Raylan D34013/AGI4000/29W/93/A45	D180xH124mmxØ170mm±1mm	AGI4000	1960	29W	68	45°
118293 Raylan D34013/AGI3000/34W/93/A15	D180xH124mmxØ170mm±1mm	AGI3000	1900	34W	56	15°
118294 Raylan D34013/AGI3500/34W/93/A15	D180xH124mmxØ170mm±1mm	AGI3500	1995	34W	59	15°
118295 Raylan D34013/AGI4000/34W/93/A15	D180xH124mmxØ170mm±1mm	AGI4000	2095	34W	62	15°
118296 Raylan D34013/AGI3000/34W/93/A30	D180xH124mmxØ170mm±1mm	AGI3000	1900	34W	56	30°
118297 Raylan D34013/AGI3500/34W/93/A30	D180xH124mmxØ170mm±1mm	AGI3500	1995	34W	59	30°
118298 Raylan D34013/AGI4000/34W/93/A30	D180xH124mmxØ170mm±1mm	AGI4000	2095	34W	62	30°
118299 Raylan D34013/AGI3000/34W/93/A45	D180xH124mmxØ170mm±1mm	AGI3000	1900	34W	56	45°
118300 Raylan D34013/AGI3500/34W/93/A45	D180xH124mmxØ170mm±1mm	AGI3500	1995	34W	59	45°
118301 Raylan D34013/AGI4000/34W/93/A45	D180xH124mmxØ170mm±1mm	AGI4000	2095	34W	62	45°

<b>CRI 95</b>						
118140 Raylan D34021/FAS/14W/95/A20	D140xH115mmxØ130mm±1mm	FAS	1145	14W	82	20°
118141 Raylan D34021/FAS/14W/95/A30	D140xH115mmxØ130mm±1mm	FAS	1145	14W	82	30°
118142 Raylan D34021/FAS/14W/95/A45	D140xH115mmxØ130mm±1mm	FAS	1145	14W	82	45°
118143 Raylan D34021/FAS/14W/95/A55	D140xH115mmxØ130mm±1mm	FAS	1145	14W	82	55°
118144 Raylan D34021/FAS/20W/95/A20	D140xH115mmxØ130mm±1mm	FAS	1510	20W	76	20°
118145 Raylan D34021/FAS/20W/95/A30	D140xH115mmxØ130mm±1mm	FAS	1510	20W	76	30°
118146 Raylan D34021/FAS/20W/95/A45	D140xH115mmxØ130mm±1mm	FAS	1510	20W	76	45°
118147 Raylan D34021/FAS/20W/95/A55	D140xH115mmxØ130mm±1mm	FAS	1510	20W	76	55°
118148 Raylan D34021/FAS/27W/95/A20	D140xH115mmxØ130mm±1mm	FAS	2080	27W	78	20°
118149 Raylan D34021/FAS/27W/95/A30	D140xH115mmxØ130mm±1mm	FAS	2080	27W	78	30°

SKU SPECIFICATIONS

Product Code	Dimensions (mm)	CCT (K)	Lumens (lm)	Power (W)	Eff. (lm/watt)	Lens Angle (°)
<b>CRI 95</b>						
118150 Raylan D34021/FAS/27W/95/A45	D140xH115mmxØ130mm±1mm	FAS	2080	27W	78	45°
118151 Raylan D34021/FAS/27W/95/A55	D140xH115mmxØ130mm±1mm	FAS	2080	27W	78	55°
118152 Raylan D34021/FAS/35W/95/A20	D140xH115mmxØ130mm±1mm	FAS	2535	35W	73	20°
118153 Raylan D34021/FAS/35W/95/A30	D140xH115mmxØ130mm±1mm	FAS	2535	35W	73	30°
118154 Raylan D34021/FAS/35W/95/A45	D140xH115mmxØ130mm±1mm	FAS	2535	35W	73	45°
118155 Raylan D34021/FAS/35W/95/A55	D140xH115mmxØ130mm±1mm	FAS	2535	35W	73	55°
118156 Raylan D34013/FAS/14W/95/A15	D180xH124mmxØ170mm±1mm	FAS	1145	14W	82	15°
118157 Raylan D34013/FAS/14W/95/A30	D180xH124mmxØ170mm±1mm	FAS	1145	14W	82	30°
118158 Raylan D34013/FAS/14W/95/A45	D180xH124mmxØ170mm±1mm	FAS	1145	14W	82	45°
118159 Raylan D34013/FAS/20W/95/A15	D180xH124mmxØ170mm±1mm	FAS	1510	20W	76	15°
118160 Raylan D34013/FAS/20W/95/A30	D180xH124mmxØ170mm±1mm	FAS	1510	20W	76	30°
118161 Raylan D34013/FAS/20W/95/A45	D180xH124mmxØ170mm±1mm	FAS	1510	20W	76	45°
118162 Raylan D34013/FAS/27W/95/A15	D180xH124mmxØ170mm±1mm	FAS	2080	27W	78	15°
118163 Raylan D34013/FAS/27W/95/A30	D180xH124mmxØ170mm±1mm	FAS	2080	27W	78	30°
118164 Raylan D34013/FAS/27W/95/A45	D180xH124mmxØ170mm±1mm	FAS	2080	27W	78	45°
118165 Raylan D34013/FAS/35W/95/A15	D180xH124mmxØ170mm±1mm	FAS	2535	35W	73	15°
118166 Raylan D34013/FAS/35W/95/A30	D180xH124mmxØ170mm±1mm	FAS	2535	35W	73	30°
118167 Raylan D34013/FAS/35W/95/A45	D180xH124mmxØ170mm±1mm	FAS	2535	35W	73	45°
1181168 Raylan D34021/2700/14W/95/A20	D140xH115mmxØ130mm±1mm	2700K	1225	14W	88	20°
1181169 Raylan D34021/3000/14W/95/A20	D140xH115mmxØ130mm±1mm	3000K	1240	14W	89	20°
1181170 Raylan D34021/3500/14W/95/A20	D140xH115mmxØ130mm±1mm	3500K	1270	14W	91	20°
1181171 Raylan D34021/4000/14W/95/A20	D140xH115mmxØ130mm±1mm	4000K	1295	14W	93	20°
1181172 Raylan D34021/2700/14W/95/A30	D140xH115mmxØ130mm±1mm	2700K	1225	14W	88	30°
1181173 Raylan D34021/3000/14W/95/A30	D140xH115mmxØ130mm±1mm	3000K	1240	14W	89	30°
1181174 Raylan D34021/3500/14W/95/A30	D140xH115mmxØ130mm±1mm	3500K	1270	14W	91	30°
1181175 Raylan D34021/4000/14W/95/A30	D140xH115mmxØ130mm±1mm	4000K	1295	14W	93	30°
1181176 Raylan D34021/2700/14W/95/A45	D140xH115mmxØ130mm±1mm	2700K	1225	14W	88	45°
1181177 Raylan D34021/3000/14W/95/A45	D140xH115mmxØ130mm±1mm	3000K	1240	14W	89	45°
1181178 Raylan D34021/3500/14W/95/A45	D140xH115mmxØ130mm±1mm	3500K	1270	14W	91	45°
1181179 Raylan D34021/4000/14W/95/A45	D140xH115mmxØ130mm±1mm	4000K	1295	14W	93	45°
1181180 Raylan D34021/2700/14W/95/A55	D140xH115mmxØ130mm±1mm	2700K	1225	14W	88	55°
1181181 Raylan D34021/3000/14W/95/A55	D140xH115mmxØ130mm±1mm	3000K	1240	14W	89	55°
1181182 Raylan D34021/3500/14W/95/A55	D140xH115mmxØ130mm±1mm	3500K	1270	14W	91	55°
1181183 Raylan D34021/4000/14W/95/A55	D140xH115mmxØ130mm±1mm	4000K	1295	14W	93	55°
1181184 Raylan D34021/2700/20W/95/A20	D140xH115mmxØ130mm±1mm	2700K	1655	20W	83	20°
1181185 Raylan D34021/3000/20W/95/A20	D140xH115mmxØ130mm±1mm	3000K	1675	20W	84	20°
1181186 Raylan D34021/3500/20W/95/A20	D140xH115mmxØ130mm±1mm	3500K	1720	20W	86	20°
1181187 Raylan D34021/4000/20W/95/A20	D140xH115mmxØ130mm±1mm	4000K	1750	20W	88	20°
1181188 Raylan D34021/2700/20W/95/A30	D140xH115mmxØ130mm±1mm	2700K	1655	20W	83	30°
1181189 Raylan D34021/3000/20W/95/A30	D140xH115mmxØ130mm±1mm	3000K	1675	20W	84	30°
1181190 Raylan D34021/3500/20W/95/A30	D140xH115mmxØ130mm±1mm	3500K	1720	20W	86	30°
1181191 Raylan D34021/4000/20W/95/A30	D140xH115mmxØ130mm±1mm	4000K	1750	20W	88	30°
1181192 Raylan D34021/2700/20W/95/A45	D140xH115mmxØ130mm±1mm	2700K	1655	20W	83	45°
1181193 Raylan D34021/3000/20W/95/A45	D140xH115mmxØ130mm±1mm	3000K	1675	20W	84	45°
1181194 Raylan D34021/3500/20W/95/A45	D140xH115mmxØ130mm±1mm	3500K	1720	20W	86	45°
1181195 Raylan D34021/4000/20W/95/A45	D140xH115mmxØ130mm±1mm	4000K	1750	20W	88	45°
1181196 Raylan D34021/2700/20W/95/A55	D140xH115mmxØ130mm±1mm	2700K	1655	20W	83	55°
1181197 Raylan D34021/3000/20W/95/A55	D140xH115mmxØ130mm±1mm	3000K	1675	20W	84	55°
1181198 Raylan D34021/3500/20W/95/A55	D140xH115mmxØ130mm±1mm	3500K	1720	20W	86	55°
1181199 Raylan D34021/4000/20W/95/A55	D140xH115mmxØ130mm±1mm	4000K	1750	20W	88	55°

SKU SPECIFICATIONS

Product Code	Dimensions (mm)	CCT (K)	Lumens (lm)	Power (W)	Eff. (lm/watt)	Lens Angle (°)
<b>CRI 95</b>						
1181200 Raylan D34021/2700/27W/95/A20	D140xH115mmxØ130mm±1mm	2700K	2275	27W	85	20°
1181201 Raylan D34021/3000/27W/95/A20	D140xH115mmxØ130mm±1mm	3000K	2295	27W	85	20°
1181202 Raylan D34021/3500/27W/95/A20	D140xH115mmxØ130mm±1mm	3500K	2355	27W	88	20°
1181203 Raylan D34021/4000/27W/95/A20	D140xH115mmxØ130mm±1mm	4000K	2405	27W	90	20°
1181204 Raylan D34021/2700/27W/95/A30	D140xH115mmxØ130mm±1mm	2700K	2275	27W	85	30°
1181205 Raylan D34021/3000/27W/95/A30	D140xH115mmxØ130mm±1mm	3000K	2295	27W	85	30°
1181206 Raylan D34021/3500/27W/95/A30	D140xH115mmxØ130mm±1mm	3500K	2355	27W	88	30°
1181207 Raylan D34021/4000/27W/95/A30	D140xH115mmxØ130mm±1mm	4000K	2405	27W	90	30°
1181208 Raylan D34021/2700/27W/95/A45	D140xH115mmxØ130mm±1mm	2700K	2275	27W	85	45°
1181209 Raylan D34021/3000/27W/95/A45	D140xH115mmxØ130mm±1mm	3000K	2295	27W	85	45°
1181210 Raylan D34021/3500/27W/95/A45	D140xH115mmxØ130mm±1mm	3500K	2355	27W	88	45°
1181211 Raylan D34021/4000/27W/95/A45	D140xH115mmxØ130mm±1mm	4000K	2405	27W	90	45°
1181212 Raylan D34021/2700/27W/95/A55	D140xH115mmxØ130mm±1mm	2700K	2275	27W	85	55°
1181213 Raylan D34021/3000/27W/95/A55	D140xH115mmxØ130mm±1mm	3000K	2295	27W	85	55°
1181214 Raylan D34021/3500/27W/95/A55	D140xH115mmxØ130mm±1mm	3500K	2355	27W	88	55°
1181215 Raylan D34021/4000/27W/95/A55	D140xH115mmxØ130mm±1mm	4000K	2405	27W	90	55°
1181216 Raylan D34021/2700/35W/95/A20	D140xH115mmxØ130mm±1mm	2700K	2805	35W	81	20°
1181217 Raylan D34021/3000/35W/95/A20	D140xH115mmxØ130mm±1mm	3000K	2830	35W	81	20°
1181218 Raylan D34021/3500/35W/95/A20	D140xH115mmxØ130mm±1mm	3500K	2910	35W	84	20°
1181219 Raylan D34021/4000/35W/95/A20	D140xH115mmxØ130mm±1mm	4000K	2965	35W	85	20°
1181220 Raylan D34021/2700/35W/95/A30	D140xH115mmxØ130mm±1mm	2700K	2805	35W	81	30°
1181221 Raylan D34021/3000/35W/95/A30	D140xH115mmxØ130mm±1mm	3000K	2830	35W	81	30°
1181222 Raylan D34021/3500/35W/95/A30	D140xH115mmxØ130mm±1mm	3500K	2910	35W	84	30°
1181223 Raylan D34021/4000/35W/95/A30	D140xH115mmxØ130mm±1mm	4000K	2965	35W	85	30°
1181224 Raylan D34021/2700/35W/95/A45	D140xH115mmxØ130mm±1mm	2700K	2805	35W	81	45°
1181225 Raylan D34021/3000/35W/95/A45	D140xH115mmxØ130mm±1mm	3000K	2830	35W	81	45°
1181226 Raylan D34021/3500/35W/95/A45	D140xH115mmxØ130mm±1mm	3500K	2910	35W	84	45°
1181227 Raylan D34021/4000/35W/95/A45	D140xH115mmxØ130mm±1mm	4000K	2965	35W	85	45°
1181228 Raylan D34021/2700/35W/95/A55	D140xH115mmxØ130mm±1mm	2700K	2805	35W	81	55°
1181229 Raylan D34021/3000/35W/95/A55	D140xH115mmxØ130mm±1mm	3000K	2830	35W	81	55°
1181230 Raylan D34021/3500/35W/95/A55	D140xH115mmxØ130mm±1mm	3500K	2910	35W	84	55°
1181231 Raylan D34021/4000/35W/95/A55	D140xH115mmxØ130mm±1mm	4000K	2965	35W	85	55°
1181232 Raylan D34013/2700/14W/95/A15	D180xH124mmxØ170mm±1mm	2700K	1225	14W	88	15°
1181233 Raylan D34013/3000/14W/95/A15	D180xH124mmxØ170mm±1mm	3000K	1240	14W	89	15°
1181234 Raylan D34013/3500/14W/95/A15	D180xH124mmxØ170mm±1mm	3500K	1270	14W	91	15°
1181235 Raylan D34013/4000/14W/95/A15	D180xH124mmxØ170mm±1mm	4000K	1295	14W	93	15°
1181236 Raylan D34013/2700/14W/95/A30	D180xH124mmxØ170mm±1mm	2700K	1225	14W	88	30°
1181237 Raylan D34013/3000/14W/95/A30	D180xH124mmxØ170mm±1mm	3000K	1240	14W	89	30°
1181238 Raylan D34013/3500/14W/95/A30	D180xH124mmxØ170mm±1mm	3500K	1270	14W	91	30°
1181239 Raylan D34013/4000/14W/95/A30	D180xH124mmxØ170mm±1mm	4000K	1295	14W	93	30°
1181240 Raylan D34013/2700/14W/95/A45	D180xH124mmxØ170mm±1mm	2700K	1225	14W	88	45°
1181241 Raylan D34013/3000/14W/95/A45	D180xH124mmxØ170mm±1mm	3000K	1240	14W	89	45°
1181242 Raylan D34013/3500/14W/95/A45	D180xH124mmxØ170mm±1mm	3500K	1270	14W	91	45°
1181243 Raylan D34013/4000/14W/95/A45	D180xH124mmxØ170mm±1mm	4000K	1295	14W	93	45°
1181244 Raylan D34013/2700/20W/95/A15	D180xH124mmxØ170mm±1mm	2700K	1655	20W	83	15°
1181245 Raylan D34013/3000/20W/95/A15	D180xH124mmxØ170mm±1mm	3000K	1675	20W	84	15°
1181246 Raylan D34013/3500/20W/95/A15	D180xH124mmxØ170mm±1mm	3500K	1720	20W	86	15°
1181247 Raylan D34013/4000/20W/95/A15	D180xH124mmxØ170mm±1mm	4000K	1750	20W	88	15°
1181248 Raylan D34013/2700/20W/95/A30	D180xH124mmxØ170mm±1mm	2700K	1655	20W	83	30°
1181249 Raylan D34013/3000/20W/95/A30	D180xH124mmxØ170mm±1mm	3000K	1675	20W	84	30°

SKU SPECIFICATIONS

Product Code	Dimensions (mm)	CCT (K)	Lumens (lm)	Power (W)	Eff. (lm/watt)	Lens Angle (°)
<b>CRI 95</b>						
1181250 Raylan D34013/3500/20W/95/A30	D180xH124mmxØ170mm±1mm	3500K	1720	20W	86	30°
1181251 Raylan D34013/4000/20W/95/A30	D180xH124mmxØ170mm±1mm	4000K	1750	20W	88	30°
1181252 Raylan D34013/2700/20W/95/A45	D180xH124mmxØ170mm±1mm	2700K	1655	20W	83	45°
1181253 Raylan D34013/3000/20W/95/A45	D180xH124mmxØ170mm±1mm	3000K	1675	20W	84	45°
1181254 Raylan D34013/3500/20W/95/A45	D180xH124mmxØ170mm±1mm	3500K	1720	20W	86	45°
1181255 Raylan D34013/4000/20W/95/A45	D180xH124mmxØ170mm±1mm	4000K	1750	20W	88	45°
1181256 Raylan D34013/2700/27W/95/A15	D180xH124mmxØ170mm±1mm	2700K	2275	27W	85	15°
1181257 Raylan D34013/3000/27W/95/A15	D180xH124mmxØ170mm±1mm	3000K	2295	27W	85	15°
1181258 Raylan D34013/3500/27W/95/A15	D180xH124mmxØ170mm±1mm	3500K	2355	27W	88	15°
1181259 Raylan D34013/4000/27W/95/A15	D180xH124mmxØ170mm±1mm	4000K	2405	27W	90	15°
1181260 Raylan D34013/2700/27W/95/A30	D180xH124mmxØ170mm±1mm	2700K	2275	27W	85	30°
1181261 Raylan D34013/3000/27W/95/A30	D180xH124mmxØ170mm±1mm	3000K	2295	27W	85	30°
1181262 Raylan D34013/3500/27W/95/A30	D180xH124mmxØ170mm±1mm	3500K	2355	27W	88	30°
1181263 Raylan D34013/4000/27W/95/A30	D180xH124mmxØ170mm±1mm	4000K	2405	27W	90	30°
1181264 Raylan D34013/2700/27W/95/A45	D180xH124mmxØ170mm±1mm	2700K	2275	27W	85	45°
1181265 Raylan D34013/3000/27W/95/A45	D180xH124mmxØ170mm±1mm	3000K	2295	27W	85	45°
1181266 Raylan D34013/3500/27W/95/A45	D180xH124mmxØ170mm±1mm	3500K	2355	27W	88	45°
1181267 Raylan D34013/4000/27W/95/A45	D180xH124mmxØ170mm±1mm	4000K	2405	27W	90	45°
1181268 Raylan D34013/2700/35W/95/A15	D180xH124mmxØ170mm±1mm	2700K	2805	35W	81	15°
1181269 Raylan D34013/3000/35W/95/A15	D180xH124mmxØ170mm±1mm	3000K	2830	35W	81	15°
1181270 Raylan D34013/3500/35W/95/A15	D180xH124mmxØ170mm±1mm	3500K	2910	35W	84	15°
1181271 Raylan D34013/4000/35W/95/A15	D180xH124mmxØ170mm±1mm	4000K	2965	35W	85	15°
1181272 Raylan D34013/2700/35W/95/A30	D180xH124mmxØ170mm±1mm	2700K	2805	35W	81	30°
1181273 Raylan D34013/3000/35W/95/A30	D180xH124mmxØ170mm±1mm	3000K	2830	35W	81	30°
1181274 Raylan D34013/3500/35W/95/A30	D180xH124mmxØ170mm±1mm	3500K	2910	35W	84	30°
1181275 Raylan D34013/4000/35W/95/A30	D180xH124mmxØ170mm±1mm	4000K	2965	35W	85	30°
1181276 Raylan D34013/2700/35W/95/A45	D180xH124mmxØ170mm±1mm	2700K	2805	35W	81	45°
1181277 Raylan D34013/3000/35W/95/A45	D180xH124mmxØ170mm±1mm	3000K	2830	35W	81	45°
1181278 Raylan D34013/3500/35W/95/A45	D180xH124mmxØ170mm±1mm	3500K	2910	35W	84	45°
1181279 Raylan D34013/4000/35W/95/A45	D180xH124mmxØ170mm±1mm	4000K	2965	35W	85	45°
<b>CRI 97</b>						
1181350 Raylan D34021/ENT5600/16W/97/A20	D140xH115mmxØ130mm±1mm	ENT5600	1385	16W	87	20°
1181351 Raylan D34021/ENT5600/16W/97/A30	D140xH115mmxØ130mm±1mm	ENT5600	1385	16W	87	30°
1181352 Raylan D34021/ENT5600/16W/97/A45	D140xH115mmxØ130mm±1mm	ENT5600	1385	16W	87	45°
1181353 Raylan D34021/ENT5600/16W/97/A55	D140xH115mmxØ130mm±1mm	ENT5600	1385	16W	87	55°
1181354 Raylan D34021/ENT5600/21W/97/A20	D140xH115mmxØ130mm±1mm	ENT5600	1825	21W	87	20°
1181355 Raylan D34021/ENT5600/21W/97/A30	D140xH115mmxØ130mm±1mm	ENT5600	1825	21W	87	30°
1181356 Raylan D34021/ENT5600/21W/97/A45	D140xH115mmxØ130mm±1mm	ENT5600	1825	21W	87	45°
1181357 Raylan D34021/ENT5600/21W/97/A55	D140xH115mmxØ130mm±1mm	ENT5600	1825	21W	87	55°
1181358 Raylan D34021/ENT5600/27W/97/A20	D140xH115mmxØ130mm±1mm	ENT5600	2310	27W	86	20°
1181359 Raylan D34021/ENT5600/27W/97/A30	D140xH115mmxØ130mm±1mm	ENT5600	2310	27W	86	30°
1181360 Raylan D34021/ENT5600/27W/97/A45	D140xH115mmxØ130mm±1mm	ENT5600	2310	27W	86	45°
1181361 Raylan D34021/ENT5600/27W/97/A55	D140xH115mmxØ130mm±1mm	ENT5600	2310	27W	86	55°
1181362 Raylan D34021/ENT5600/32W/97/A20	D140xH115mmxØ130mm±1mm	ENT5600	2670	32W	84	20°
1181363 Raylan D34021/ENT5600/32W/97/A30	D140xH115mmxØ130mm±1mm	ENT5600	2670	32W	84	30°
1181364 Raylan D34021/ENT5600/32W/97/A45	D140xH115mmxØ130mm±1mm	ENT5600	2670	32W	84	45°
1181365 Raylan D34021/ENT5600/32W/97/A55	D140xH115mmxØ130mm±1mm	ENT5600	2670	32W	84	55°
1181366 Raylan D34013/ENT5600/16W/97/A15	D180xH124mmxØ170mm±1mm	ENT5600	1385	16W	87	15°
1181367 Raylan D34013/ENT5600/16W/97/A30	D180xH124mmxØ170mm±1mm	ENT5600	1385	16W	87	30°



## SKU SPECIFICATIONS

Product Code	Dimensions (mm)	CCT (K)	Lumens (lm)	Power (W)	Eff. (lm/watt)	Lens Angle (°)
<b>CRI 97</b>						
1181368 Raylan D34013/ENT5600/16W/97/A45	D180xH124mmxØ170mm±1mm	ENT5600	1385	16W	87	45°
1181369 Raylan D34013/ENT5600/21W/97/A15	D180xH124mmxØ170mm±1mm	ENT5600	1385	21W	87	15°
1181370 Raylan D34013/ENT5600/21W/97/A30	D180xH124mmxØ170mm±1mm	ENT5600	1825	21W	87	30°
1181371 Raylan D34013/ENT5600/21W/97/A45	D180xH124mmxØ170mm±1mm	ENT5600	1825	21W	87	45°
1181372 Raylan D34013/ENT5600/27W/97/A15	D180xH124mmxØ170mm±1mm	ENT5600	2310	27W	86	15°
1181373 Raylan D34013/ENT5600/27W/97/A30	D180xH124mmxØ170mm±1mm	ENT5600	2310	27W	86	30°
1181374 Raylan D34013/ENT5600/27W/97/A45	D180xH124mmxØ170mm±1mm	ENT5600	2310	27W	86	45°
1181375 Raylan D34013/ENT5600/32W/97/A15	D180xH124mmxØ170mm±1mm	ENT5600	2670	32W	84	15°
1181376 Raylan D34013/ENT5600/32W/97/A30	D180xH124mmxØ170mm±1mm	ENT5600	2670	32W	84	30°
1181377 Raylan D34013/ENT5600/32W/97/A45	D180xH124mmxØ170mm±1mm	ENT5600	2670	32W	84	45°
<b>CRI 98</b>						
118246 Raylan D34021/ART3000/27W/98/A20	D140xH115mmxØ130mm±1mm	ART3000	1995	27W	74	20°
118247 Raylan D34021/ART3000/27W/98/A30	D140xH115mmxØ130mm±1mm	ART3000	1995	27W	74	30°
118248 Raylan D34021/ART3000/27W/98/A45	D140xH115mmxØ130mm±1mm	ART3000	1995	27W	74	45°
118249 Raylan D34021/ART3000/27W/98/A55	D140xH115mmxØ130mm±1mm	ART3000	1995	27W	74	55°
118250 Raylan D34021/ART3000/35W/98/A20	D140xH115mmxØ130mm±1mm	ART3000	2425	35W	70	20°
118251 Raylan D34021/ART3000/35W/98/A30	D140xH115mmxØ130mm±1mm	ART3000	2425	35W	70	30°
118252 Raylan D34021/ART3000/35W/98/A45	D140xH115mmxØ130mm±1mm	ART3000	2425	35W	70	45°
118253 Raylan D34021/ART3000/35W/98/A55	D140xH115mmxØ130mm±1mm	ART3000	2425	35W	70	55°
118260 Raylan D34013/ART3000/27W/98/A15	D180xH124mmxØ170mm±1mm	ART3000	1995	27W	74	15°
118261 Raylan D34013/ART3000/27W/98/A30	D180xH124mmxØ170mm±1mm	ART3000	1995	27W	74	30°
118262 Raylan D34013/ART3000/27W/98/A45	D180xH124mmxØ170mm±1mm	ART3000	1995	27W	74	45°
118263 Raylan D34013/ART3000/35W/98/A15	D180xH124mmxØ170mm±1mm	ART3000	2425	35W	70	15°
118264 Raylan D34013/ART3000/35W/98/A30	D180xH124mmxØ170mm±1mm	ART3000	2425	35W	70	30°
118265 Raylan D34013/ART3000/35W/98/A45	D180xH124mmxØ170mm±1mm	ART3000	2425	35W	70	45°