



Zett

RECESSED DIRECTIONAL DOWNLIGHTS | TEC SERIES

Recessed downlight with the option of up to 2 bodies to independently move. Highly adjustable with a minimalist design that adds an unobtrusive yet elegant accent to the spaces where it's mounted. Its patented flexible mechanism enables the downlight to be rotated by 350° and tilted by 25°. Its lenses with different angle beams precisely direct the light towards the desired objects.

Zett's aluminium housing is available in several colors - Signal White, Jet Black and White Aluminium, for a perfect blend with various environments.

Zett recessed downlight comes in several series, with various add-on and controls:

- Zett TEC – the standard for any project in the retail and healthcare sectors

- Zett TEC EM – with emergency lighting kit
- Zett ECO – DALI – with DALI controls for illumination adjustments
- Zett ECO-DALI EM – with DALI controls and emergency lighting kit

FEATURES & BENEFITS

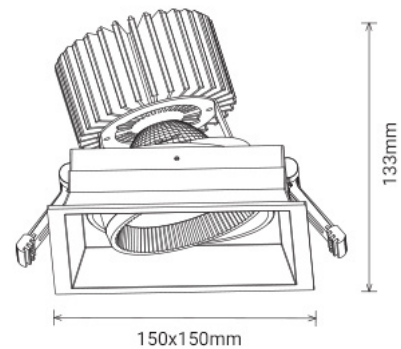
- CRI > 80 as standard, up to 98 for special color temperatures
- Rotates through 350°, tilts through 25°
- Long rated life – L90/B10 at 50,000h
- Wide variety of angle beams: 20°, 30°, 45°, 55° (for a precise angle beam)

APPLICATION

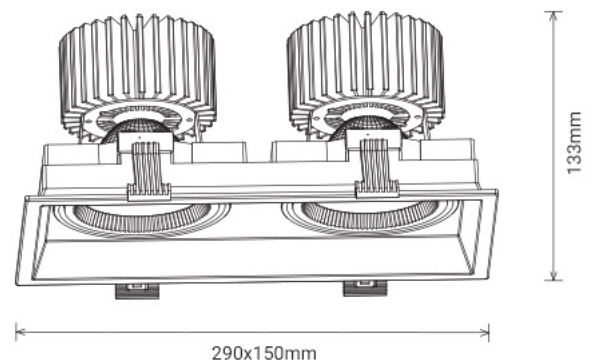
Beauty salons | Healthcare | Retail shops



Cut Out 140x140mm



Cut Out 280x140mm



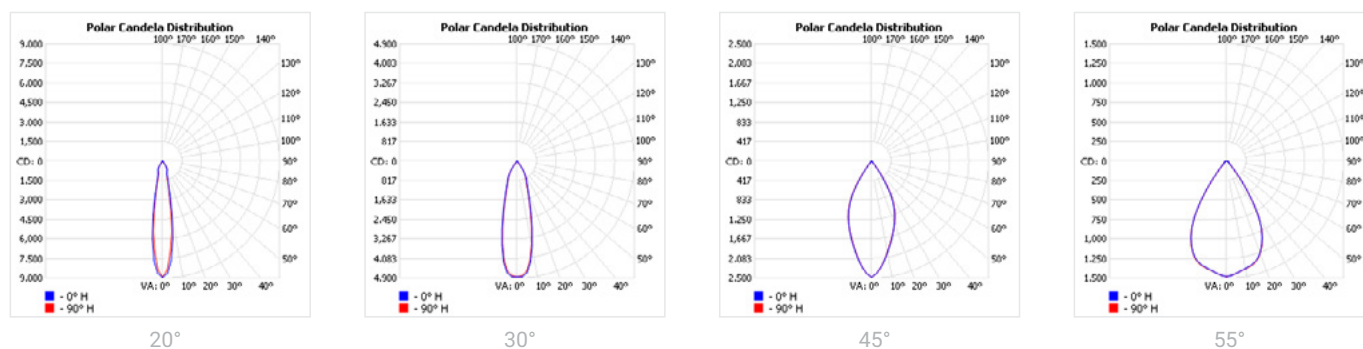
SPECIFICATIONS

Power consumption	14W, 17W, 20W, 23W, 27W, 29W	28W, 34W, 40W, 46W, 54W, 58W
Dimensions	D150x150xH133±1mm (Cut Out 140x140mm)	D290x150xH133±1mm (Cut Out 280x140mm)
Weight	1.1 Kg	2.0 Kg
Housing materials	Aluminium, Glass	
IK code	IK02	
THD (at 230V, 50Hz, Full load)	<10%	
Protection class	Safety class 1	
Operating temperature [°C]	-20 ... +45 °C / -4F ... +113F	
Operating humidity [%]	10 ÷ 85	
Power factor	≥0.95	
AC Input [Vac]	220 - 240 VAC	
Lens angle [°]	20°, 30°, 45°, 55°	
Lifespan [h]	50,000	
Housing color	○ RAL 9003 - Signal White, ● RAL 9005 - Jet Black, ● RAL 9006 - White Aluminium	
Lumen maintenance	L90/B10@50,000h at 25°C	
IP factor	IP20	
Control optional	For more information please see ZETT ECO-DALI datasheet	
Warranty [years]	5	
Storage temperature range [°C]	-20 ... +55 / -4F ... +113F	
Emergency option	For more information please see ZETT TEC EM datasheet	

#	Standard	Food	Fashion	AGI	Enhanced	ART	AMB	SUNSET
CRI	CRI80	CRI80	CRI95	CRI93	CRI90 / CRI95	CRI98	CRI80	CRI90
CCT [K]	2700 / 3000 / 3500 / 4000	BVF / FBS / FZM / FSM / FSH	FAS	AGI 3000 / 3500 / 4000	2700 / 3000 / 3500 / 4000	3000	2200	1800...2700
MacAdam	3	3 / 4 / 4 / 3 / 3	3	3	2	2	3	3

CRI - Color rendering, CCT - Color temperature, MacAdam - Color consistency

LIGHT DISTRIBUTION



TOLERANCES

Luminous flux tolerances: -/+ 5%

Consumption tolerance: -/+ 5% for TEC | -/+ 10% for TEC & KIT EM | -/+ 10% for ECO-DALI | -/+ 15% for ECO-DALI & KIT EM

BATTERY WARRANTY

TEC EM & ECO EM: 12 months warranty

TEC & ECO: -

MAXIMUM NO. OF LUMINAIRES ON A CIRCUIT

Power	Driver type	Control type	Circuit Breaker Type						
			Amperage	B			C		
				20	16	10	20	16	10
12-14W	SR	TEC	62/31	50/25	31/15	104/52	85/42	52/26	
17-20W	SR	TEC	62/31	50/25	31/15	104/52	85/42	52/26	
23-27W	SR	TEC	24/12	20/10	10/5	47/23	40/20	20/10	
29-35W	SR	TEC	24/12	20/10	10/5	47/23	40/20	20/10	
42W	SR	TEC	20/10	16/8	8/4	38/19	32/16	16/8	
12-14W	SR	ECO	62/31	50/25	31/15	104/52	85/42	52/26	
23-27W	SR	ECO	25/12	21/10	13/6	50/25	42/21	26/13	
34-42W	SR	ECO	17/8	14/7	9/4	34/17	28/14	18/9	

● Values for Zett 1 ● Values for Zett 2

RISK GROUP

Standard (CRI80) RG1

FOOD (BVF, FBS, FSM) RG1

FOOD <20W (FZM, FSH) RG2 (dthr=1.8m)

FOOD >20W (FZM, FSH) RG2 (dthr=2.2m)

FAS RG1

AMB2200 RG1

ART RG1

AGI RG1

CRI95 RG1

SUNSET RG1

RG1

The evaluation of photobiological safety is carried out according to the standard IEC 62471:2008 ("Photobiological safety of lamps and lamp systems"). Following the definition of the risk grouping system of the mentioned IEC standard, the LEDs mounted on this family fall into the class "Low Risk (RG1 – No photobiological hazard under normal behavioral limitations)". Under real circumstances (regarding exposure time, pupils, observation distance), it is assumed that there is no endangerment to the eye from these devices. As a matter of principle, however, it should be mentioned that intense light sources have a high secondary exposure potential due to their blinding effect.

RG2

The evaluation of photobiological safety is carried out according to the standard IEC 62471:2008 ("Photobiological safety of lamps and lamp systems"). Following the definition of the risk grouping system of the mentioned IEC standard, the LEDs mounted on this family fall into the class "Moderate Risk (RG2)". Under real circumstances (regarding exposure time, pupils, observation distance), it is assumed that there is no endangerment to the eye from these devices. As a matter of principle, however, it should be mentioned that intense light sources have a high secondary exposure potential due to their blinding effect.

SKU SPECIFICATIONS

Product Code	Dimensions (mm)	CCT (K)	Lumens (lm)	Power (W)	Eff. (lm/watt)	Lens Angle (°)
CRI 80						
150000 Zett1 D35003/2700/14W/80/A20	D150x150xH133±1mm	2700	1440	14W	103	20°
150001 Zett1 D35003/3000/14W/80/A20	D150x150xH133±1mm	3000	1455	14W	104	20°
150002 Zett1 D35003/3500/14W/80/A20	D150x150xH133±1mm	3500	1495	14W	107	20°
150003 Zett1 D35003/4000/14W/80/A20	D150x150xH133±1mm	4000	1525	14W	109	20°
150005 Zett1 D35003/2700/14W/80/A30	D150x150xH133±1mm	2700	1440	14W	103	30°
150006 Zett1 D35003/3000/14W/80/A30	D150x150xH133±1mm	3000	1455	14W	104	30°
150007 Zett1 D35003/3500/14W/80/A30	D150x150xH133±1mm	3500	1495	14W	107	30°
150008 Zett1 D35003/4000/14W/80/A30	D150x150xH133±1mm	4000	1525	14W	109	30°
150010 Zett1 D35003/2700/14W/80/A45	D150x150xH133±1mm	2700	1440	14W	103	45°
150011 Zett1 D35003/3000/14W/80/A45	D150x150xH133±1mm	3000	1455	14W	104	45°
150012 Zett1 D35003/3500/14W/80/A45	D150x150xH133±1mm	3500	1495	14W	107	45°
150013 Zett1 D35003/4000/14W/80/A45	D150x150xH133±1mm	4000	1525	14W	109	45°
150015 Zett1 D35003/2700/14W/80/A55	D150x150xH133±1mm	2700	1440	14W	103	55°
150016 Zett1 D35003/3000/14W/80/A55	D150x150xH133±1mm	3000	1455	14W	104	55°
150017 Zett1 D35003/3500/14W/80/A55	D150x150xH133±1mm	3500	1495	14W	107	55°
150018 Zett1 D35003/4000/14W/80/A55	D150x150xH133±1mm	4000	1525	14W	109	55°
150020 Zett1 D35003/2700/20W/80/A20	D150x150xH133±1mm	2700	2010	20W	101	20°
150021 Zett1 D35003/3000/20W/80/A20	D150x150xH133±1mm	3000	2025	20W	102	20°
150022 Zett1 D35003/3500/20W/80/A20	D150x150xH133±1mm	3500	2080	20W	104	20°
150023 Zett1 D35003/4000/20W/80/A20	D150x150xH133±1mm	4000	2120	20W	106	20°
150025 Zett1 D35003/2700/20W/80/A30	D150x150xH133±1mm	2700	2010	20W	101	30°
150026 Zett1 D35003/3000/20W/80/A30	D150x150xH133±1mm	3000	2025	20W	102	30°
150027 Zett1 D35003/3500/20W/80/A30	D150x150xH133±1mm	3500	2080	20W	104	30°
150028 Zett1 D35003/4000/20W/80/A30	D150x150xH133±1mm	4000	2120	20W	106	30°
150030 Zett1 D35003/2700/20W/80/A45	D150x150xH133±1mm	2700	2010	20W	101	45°
150031 Zett1 D35003/3000/20W/80/A45	D150x150xH133±1mm	3000	2025	20W	102	45°
150032 Zett1 D35003/3500/20W/80/A45	D150x150xH133±1mm	3500	2080	20W	104	45°
150033 Zett1 D35003/4000/20W/80/A45	D150x150xH133±1mm	4000	2120	20W	106	45°
150035 Zett1 D35003/2700/20W/80/A55	D150x150xH133±1mm	2700	2010	20W	101	55°
150036 Zett1 D35003/3000/20W/80/A55	D150x150xH133±1mm	3000	2025	20W	102	55°
150037 Zett1 D35003/3500/20W/80/A55	D150x150xH133±1mm	3500	2080	20W	104	55°
150038 Zett1 D35003/4000/20W/80/A55	D150x150xH133±1mm	4000	2120	20W	106	55°
150040 Zett1 D35003/2700/27W/80/A20	D150x150xH133±1mm	2700	2605	27W	97	20°
150041 Zett1 D35003/3000/27W/80/A20	D150x150xH133±1mm	3000	2630	27W	98	20°
150042 Zett1 D35003/3500/27W/80/A20	D150x150xH133±1mm	3500	2700	27W	100	20°
150043 Zett1 D35003/4000/27W/80/A20	D150x150xH133±1mm	4000	2755	27W	103	20°
150045 Zett1 D35003/2700/27W/80/A30	D150x150xH133±1mm	2700	2605	27W	97	30°
150046 Zett1 D35003/3000/27W/80/A30	D150x150xH133±1mm	3000	2630	27W	98	30°
150047 Zett1 D35003/3500/27W/80/A30	D150x150xH133±1mm	3500	2700	27W	100	30°
150048 Zett1 D35003/4000/27W/80/A30	D150x150xH133±1mm	4000	2755	27W	103	30°
150050 Zett1 D35003/2700/27W/80/A45	D150x150xH133±1mm	2700	2605	27W	97	45°
150051 Zett1 D35003/3000/27W/80/A45	D150x150xH133±1mm	3000	2630	27W	98	45°
150052 Zett1 D35003/3500/27W/80/A45	D150x150xH133±1mm	3500	2700	27W	100	45°
150053 Zett1 D35003/4000/27W/80/A45	D150x150xH133±1mm	4000	2755	27W	103	45°
150055 Zett1 D35003/2700/27W/80/A55	D150x150xH133±1mm	2700	2605	27W	97	55°
150056 Zett1 D35003/3000/27W/80/A55	D150x150xH133±1mm	3000	2630	27W	98	55°
150057 Zett1 D35003/3500/27W/80/A55	D150x150xH133±1mm	3500	2700	27W	100	55°
150058 Zett1 D35003/4000/27W/80/A55	D150x150xH133±1mm	4000	2755	27W	103	55°
150500 Zett2 D35004/2700/28W/80/A20	D290x150xH133±1mm	2700	2880	28W	103	20°
150501 Zett2 D35004/3000/28W/80/A20	D290x150xH133±1mm	3000	2910	28W	104	20°

Product Code	Dimensions (mm)	CCT (K)	Lumens (lm)	Power (W)	Eff. (lm/watt)	Lens Angle (°)
CRI 80						
150502 Zett2 D35004/3500/28W/80/A20	D290x150xH133±1mm	3500	2990	28W	107	20°
150503 Zett2 D35004/4000/28W/80/A20	D290x150xH133±1mm	4000	3050	28W	109	20°
150505 Zett2 D35004/2700/28W/80/A30	D290x150xH133±1mm	2700	2880	28W	103	30°
150506 Zett2 D35004/3000/28W/80/A30	D290x150xH133±1mm	3000	2910	28W	104	30°
150507 Zett2 D35004/3500/28W/80/A30	D290x150xH133±1mm	3500	2990	28W	107	30°
150508 Zett2 D35004/4000/28W/80/A30	D290x150xH133±1mm	4000	3050	28W	109	30°
150510 Zett2 D35004/2700/28W/80/A45	D290x150xH133±1mm	2700	2880	28W	103	45°
150511 Zett2 D35004/3000/28W/80/A45	D290x150xH133±1mm	3000	2910	28W	104	45°
150512 Zett2 D35004/3500/28W/80/A45	D290x150xH133±1mm	3500	2990	28W	107	45°
150513 Zett2 D35004/4000/28W/80/A45	D290x150xH133±1mm	4000	3050	28W	109	45°
150515 Zett2 D35004/2700/28W/80/A55	D290x150xH133±1mm	2700	2880	28W	103	55°
150516 Zett2 D35004/3000/28W/80/A55	D290x150xH133±1mm	3000	2910	28W	104	55°
150517 Zett2 D35004/3500/28W/80/A55	D290x150xH133±1mm	3500	2990	28W	107	55°
150518 Zett2 D35004/4000/28W/80/A55	D290x150xH133±1mm	4000	3050	28W	109	55°
150520 Zett2 D35004/2700/40W/80/A20	D290x150xH133±1mm	2700	4020	40W	101	20°
150521 Zett2 D35004/3000/40W/80/A20	D290x150xH133±1mm	3000	4050	40W	102	20°
150522 Zett2 D35004/3500/40W/80/A20	D290x150xH133±1mm	3500	4160	40W	104	20°
150523 Zett2 D35004/4000/40W/80/A20	D290x150xH133±1mm	4000	4240	40W	106	20°
150525 Zett2 D35004/2700/40W/80/A30	D290x150xH133±1mm	2700	4020	40W	101	30°
150526 Zett2 D35004/3000/40W/80/A30	D290x150xH133±1mm	3000	4050	40W	102	30°
150527 Zett2 D35004/3500/40W/80/A30	D290x150xH133±1mm	3500	4160	40W	104	30°
150528 Zett2 D35004/4000/40W/80/A30	D290x150xH133±1mm	4000	4240	40W	106	30°
150530 Zett2 D35004/2700/40W/80/A45	D290x150xH133±1mm	2700	4020	40W	101	45°
150531 Zett2 D35004/3000/40W/80/A45	D290x150xH133±1mm	3000	4050	40W	102	45°
150532 Zett2 D35004/3500/40W/80/A45	D290x150xH133±1mm	3500	4160	40W	104	45°
150533 Zett2 D35004/4000/40W/80/A45	D290x150xH133±1mm	4000	4240	40W	106	45°
150535 Zett2 D35004/2700/40W/80/A55	D290x150xH133±1mm	2700	4020	40W	101	55°
150536 Zett2 D35004/3000/40W/80/A55	D290x150xH133±1mm	3000	4050	40W	102	55°
150537 Zett2 D35004/3500/40W/80/A55	D290x150xH133±1mm	3500	4160	40W	104	55°
150538 Zett2 D35004/4000/40W/80/A55	D290x150xH133±1mm	4000	4240	40W	106	55°
150540 Zett2 D35004/2700/54W/80/A20	D290x150xH133±1mm	2700	5210	54W	97	20°
150541 Zett2 D35004/3000/54W/80/A20	D290x150xH133±1mm	3000	5260	54W	98	20°
150542 Zett2 D35004/3500/54W/80/A20	D290x150xH133±1mm	3500	5400	54W	100	20°
150543 Zett2 D35004/4000/54W/80/A20	D290x150xH133±1mm	4000	5510	54W	103	20°
150545 Zett2 D35004/2700/54W/80/A30	D290x150xH133±1mm	2700	5210	54W	97	30°
150546 Zett2 D35004/3000/54W/80/A30	D290x150xH133±1mm	3000	5260	54W	98	30°
150547 Zett2 D35004/3500/54W/80/A30	D290x150xH133±1mm	3500	5400	54W	100	30°
150548 Zett2 D35004/4000/54W/80/A30	D290x150xH133±1mm	4000	5510	54W	103	30°
150550 Zett2 D35004/2700/54W/80/A45	D290x150xH133±1mm	2700	5210	54W	97	45°
150551 Zett2 D35004/3000/54W/80/A45	D290x150xH133±1mm	3000	5260	54W	98	45°
150552 Zett2 D35004/3500/54W/80/A45	D290x150xH133±1mm	3500	5400	54W	100	45°
150553 Zett2 D35004/4000/54W/80/A45	D290x150xH133±1mm	4000	5510	54W	103	45°
150555 Zett2 D35004/2700/54W/80/A55	D290x150xH133±1mm	2700	5210	54W	97	55°
150556 Zett2 D35004/3000/54W/80/A55	D290x150xH133±1mm	3000	5260	54W	98	55°
150557 Zett2 D35004/3500/54W/80/A55	D290x150xH133±1mm	3500	5400	54W	100	55°
150558 Zett2 D35004/4000/54W/80/A55	D290x150xH133±1mm	4000	5510	54W	103	55°
150164 Zett1 D35003/BVF/14W/80/A20	D150x150xH133±1mm	BVF	1225	14W	88	20°
150165 Zett1 D35003/FBS/14W/80/A20	D150x150xH133±1mm	FBS	830	14W	60	20°
150166 Zett1 D35003/FZM/14W/80/A20	D150x150xH133±1mm	FZM	800	14W	58	20°
150167 Zett1 D35003/FSM/14W/80/A20	D150x150xH133±1mm	FSM	830	14W	60	20°
150168 Zett1 D35003/FSH/14W/80/A20	D150x150xH133±1mm	FSH	1180	14W	85	20°

Product Code	Dimensions (mm)	CCT (K)	Lumens (lm)	Power (W)	Eff. (lm/watt)	Lens Angle (°)
CRI 80						
150169 Zett1 D35003/BVF/14W/80/A30	D150x150xH133±1mm	BVF	1225	14W	88	30°
150170 Zett1 D35003/FBS/14W/80/A30	D150x150xH133±1mm	FBS	830	14W	60	30°
150171 Zett1 D35003/FZM/14W/80/A30	D150x150xH133±1mm	FZM	800	14W	58	30°
150172 Zett1 D35003/FSM/14W/80/A30	D150x150xH133±1mm	FSM	830	14W	60	30°
150173 Zett1 D35003/FSH/14W/80/A30	D150x150xH133±1mm	FSH	1180	14W	85	30°
150174 Zett1 D35003/BVF/14W/80/A45	D150x150xH133±1mm	BVF	1225	14W	88	45°
150175 Zett1 D35003/FBS/14W/80/A45	D150x150xH133±1mm	FBS	830	14W	60	45°
150176 Zett1 D35003/FZM/14W/80/A45	D150x150xH133±1mm	FZM	800	14W	58	45°
150177 Zett1 D35003/FSM/14W/80/A45	D150x150xH133±1mm	FSM	830	14W	60	45°
150178 Zett1 D35003/FSH/14W/80/A45	D150x150xH133±1mm	FSH	1180	14W	85	45°
150179 Zett1 D35003/BVF/14W/80/A55	D150x150xH133±1mm	BVF	1225	14W	88	55°
150180 Zett1 D35003/FBS/14W/80/A55	D150x150xH133±1mm	FBS	830	14W	60	55°
150181 Zett1 D35003/FZM/14W/80/A55	D150x150xH133±1mm	FZM	800	14W	58	55°
150182 Zett1 D35003/FSM/14W/80/A55	D150x150xH133±1mm	FSM	830	14W	60	55°
150183 Zett1 D35003/FSH/14W/80/A55	D150x150xH133±1mm	FSH	1180	14W	85	55°
150184 Zett1 D35003/BVF/20W/80/A20	D150x150xH133±1mm	BVF	1675	20W	84	20°
150185 Zett1 D35003/FBS/20W/80/A20	D150x150xH133±1mm	FBS	1155	20W	58	20°
150186 Zett1 D35003/FZM/20W/80/A20	D150x150xH133±1mm	FZM	1105	20W	56	20°
150187 Zett1 D35003/FSM/20W/80/A20	D150x150xH133±1mm	FSM	1130	20W	57	20°
150188 Zett1 D35003/FSH/20W/80/A20	D150x150xH133±1mm	FSH	1640	20W	82	20°
150189 Zett1 D35003/BVF/20W/80/A30	D150x150xH133±1mm	BVF	1675	20W	84	30°
150190 Zett1 D35003/FBS/20W/80/A30	D150x150xH133±1mm	FBS	1155	20W	58	30°
150191 Zett1 D35003/FZM/20W/80/A30	D150x150xH133±1mm	FZM	1105	20W	56	30°
150192 Zett1 D35003/FSM/20W/80/A30	D150x150xH133±1mm	FSM	1130	20W	57	30°
150193 Zett1 D35003/FSH/20W/80/A30	D150x150xH133±1mm	FSH	1640	20W	82	30°
150194 Zett1 D35003/BVF/20W/80/A45	D150x150xH133±1mm	BVF	1675	20W	84	45°
150195 Zett1 D35003/FBS/20W/80/A45	D150x150xH133±1mm	FBS	1155	20W	58	45°
150196 Zett1 D35003/FZM/20W/80/A45	D150x150xH133±1mm	FZM	1105	20W	56	45°
150197 Zett1 D35003/FSM/20W/80/A45	D150x150xH133±1mm	FSM	1130	20W	57	45°
150198 Zett1 D35003/FSH/20W/80/A45	D150x150xH133±1mm	FSH	1640	20W	82	45°
150199 Zett1 D35003/BVF/20W/80/A55	D150x150xH133±1mm	BVF	1675	20W	84	55°
150200 Zett1 D35003/FBS/20W/80/A55	D150x150xH133±1mm	FBS	1155	20W	58	55°
150201 Zett1 D35003/FZM/20W/80/A55	D150x150xH133±1mm	FZM	1105	20W	56	55°
150202 Zett1 D35003/FSM/20W/80/A55	D150x150xH133±1mm	FSM	1130	20W	57	55°
150203 Zett1 D35003/FSH/20W/80/A55	D150x150xH133±1mm	FSH	1640	20W	82	55°
150060 Zett1 D35003/BVF/27W/80/A20	D150x150xH133±1mm	BVF	2220	27W	83	20°
150061 Zett1 D35003/FBS/27W/80/A20	D150x150xH133±1mm	FBS	1515	27W	57	20°
150062 Zett1 D35003/FZM/27W/80/A20	D150x150xH133±1mm	FZM	1455	27W	54	20°
150063 Zett1 D35003/FSM/27W/80/A20	D150x150xH133±1mm	FSM	1480	27W	55	20°
150064 Zett1 D35003/FSH/27W/80/A20	D150x150xH133±1mm	FSH	2170	27W	81	20°
150065 Zett1 D35003/BVF/27W/80/A30	D150x150xH133±1mm	BVF	2220	27W	83	30°
150066 Zett1 D35003/FBS/27W/80/A30	D150x150xH133±1mm	FBS	1515	27W	57	30°
150067 Zett1 D35003/FZM/27W/80/A30	D150x150xH133±1mm	FZM	1455	27W	54	30°
150068 Zett1 D35003/FSM/27W/80/A30	D150x150xH133±1mm	FSM	1480	27W	55	30°
150069 Zett1 D35003/FSH/27W/80/A30	D150x150xH133±1mm	FSH	2170	27W	81	30°
150070 Zett1 D35003/BVF/27W/80/A45	D150x150xH133±1mm	BVF	2220	27W	83	45°
150071 Zett1 D35003/FBS/27W/80/A45	D150x150xH133±1mm	FBS	1515	27W	57	45°
150072 Zett1 D35003/FZM/27W/80/A45	D150x150xH133±1mm	FZM	1455	27W	54	45°
150073 Zett1 D35003/FSM/27W/80/A45	D150x150xH133±1mm	FSM	1480	27W	55	45°
150074 Zett1 D35003/FSH/27W/80/A45	D150x150xH133±1mm	FSH	2170	27W	81	45°
150075 Zett1 D35003/BVF/27W/80/A55	D150x150xH133±1mm	BVF	2220	27W	83	55°

Product Code	Dimensions (mm)	CCT (K)	Lumens (lm)	Power (W)	Eff. (lm/watt)	Lens Angle (°)
CRI 80						
150076 Zett1 D35003/FBS/27W/80/A55	D150x150xH133±1mm	FBS	1515	27W	57	55°
150077 Zett1 D35003/FZM/27W/80/A55	D150x150xH133±1mm	FZM	1455	27W	54	55°
150078 Zett1 D35003/FSM/27W/80/A55	D150x150xH133±1mm	FSM	1480	27W	55	55°
150079 Zett1 D35003/FSH/27W/80/A55	D150x150xH133±1mm	FSH	2170	27W	81	55°
150664 Zett2 D35004/BVF/28W/80/A20	D290x150xH133±1mm	BVF	2450	28W	88	20°
150665 Zett2 D35004/FBS/28W/80/A20	D290x150xH133±1mm	FBS	1660	28W	60	20°
150666 Zett2 D35004/FZM/28W/80/A20	D290x150xH133±1mm	FZM	1600	28W	58	20°
150667 Zett2 D35004/FSM/28W/80/A20	D290x150xH133±1mm	FSM	1660	28W	60	20°
150668 Zett2 D35004/FSH/28W/80/A20	D290x150xH133±1mm	FSH	2360	28W	85	20°
150669 Zett2 D35004/BVF/28W/80/A30	D290x150xH133±1mm	BVF	2450	28W	88	30°
150670 Zett2 D35004/FBS/28W/80/A30	D290x150xH133±1mm	FBS	1660	28W	60	30°
150671 Zett2 D35004/FZM/28W/80/A30	D290x150xH133±1mm	FZM	1600	28W	58	30°
150672 Zett2 D35004/FSM/28W/80/A30	D290x150xH133±1mm	FSM	1660	28W	60	30°
150673 Zett2 D35004/FSH/28W/80/A30	D290x150xH133±1mm	FSH	2360	28W	85	30°
150674 Zett2 D35004/BVF/28W/80/A45	D290x150xH133±1mm	BVF	2450	28W	88	45°
150675 Zett2 D35004/FBS/28W/80/A45	D290x150xH133±1mm	FBS	1660	28W	60	45°
150676 Zett2 D35004/FZM/28W/80/A45	D290x150xH133±1mm	FZM	1600	28W	58	45°
150677 Zett2 D35004/FSM/28W/80/A45	D290x150xH133±1mm	FSM	1660	28W	60	45°
150678 Zett2 D35004/FSH/28W/80/A45	D290x150xH133±1mm	FSH	2360	28W	85	45°
150679 Zett2 D35004/BVF/28W/80/A55	D290x150xH133±1mm	BVF	2450	28W	88	55°
150680 Zett2 D35004/FBS/28W/80/A55	D290x150xH133±1mm	FBS	1660	28W	60	55°
150681 Zett2 D35004/FZM/28W/80/A55	D290x150xH133±1mm	FZM	1600	28W	58	55°
150682 Zett2 D35004/FSM/28W/80/A55	D290x150xH133±1mm	FSM	1660	28W	60	55°
150683 Zett2 D35004/FSH/28W/80/A55	D290x150xH133±1mm	FSH	2360	28W	85	55°
150684 Zett2 D35004/BVF/40W/80/A20	D290x150xH133±1mm	BVF	3350	40W	84	20°
150685 Zett2 D35004/FBS/40W/80/A20	D290x150xH133±1mm	FBS	2310	40W	58	20°
150686 Zett2 D35004/FZM/40W/80/A20	D290x150xH133±1mm	FZM	2210	40W	56	20°
150687 Zett2 D35004/FSM/40W/80/A20	D290x150xH133±1mm	FSM	2260	40W	57	20°
150688 Zett2 D35004/FSH/40W/80/A20	D290x150xH133±1mm	FSH	3280	40W	82	20°
150689 Zett2 D35004/BVF/40W/80/A30	D290x150xH133±1mm	BVF	3350	40W	84	30°
150690 Zett2 D35004/FBS/40W/80/A30	D290x150xH133±1mm	FBS	2310	40W	58	30°
150691 Zett2 D35004/FZM/40W/80/A30	D290x150xH133±1mm	FZM	2210	40W	56	30°
150692 Zett2 D35004/FSM/40W/80/A30	D290x150xH133±1mm	FSM	2260	40W	57	30°
150693 Zett2 D35004/FSH/40W/80/A30	D290x150xH133±1mm	FSH	3280	40W	82	30°
150694 Zett2 D35004/BVF/40W/80/A45	D290x150xH133±1mm	BVF	3350	40W	84	45°
150695 Zett2 D35004/FBS/40W/80/A45	D290x150xH133±1mm	FBS	2310	40W	58	45°
150696 Zett2 D35004/FZM/40W/80/A45	D290x150xH133±1mm	FZM	2210	40W	56	45°
150697 Zett2 D35004/FSM/40W/80/A45	D290x150xH133±1mm	FSM	2260	40W	57	45°
150698 Zett2 D35004/FSH/40W/80/A45	D290x150xH133±1mm	FSH	3280	40W	82	45°
150699 Zett2 D35004/BVF/40W/80/A55	D290x150xH133±1mm	BVF	3350	40W	84	55°
150700 Zett2 D35004/FBS/40W/80/A55	D290x150xH133±1mm	FBS	2310	40W	58	55°
150701 Zett2 D35004/FZM/40W/80/A55	D290x150xH133±1mm	FZM	2210	40W	56	55°
150702 Zett2 D35004/FSM/40W/80/A55	D290x150xH133±1mm	FSM	2260	40W	57	55°
150703 Zett2 D35004/FSH/40W/80/A55	D290x150xH133±1mm	FSH	3280	40W	82	55°
150560 Zett2 D35004/BVF/54W/80/A20	D290x150xH133±1mm	BVF	4440	54W	83	20°
150561 Zett2 D35004/FBS/54W/80/A20	D290x150xH133±1mm	FBS	3030	54W	57	20°
150562 Zett2 D35004/FZM/54W/80/A20	D290x150xH133±1mm	FZM	2910	54W	54	20°
150563 Zett2 D35004/FSM/54W/80/A20	D290x150xH133±1mm	FSM	2960	54W	55	20°
150564 Zett2 D35004/FSH/54W/80/A20	D290x150xH133±1mm	FSH	4340	54W	81	20°
150565 Zett2 D35004/BVF/54W/80/A30	D290x150xH133±1mm	BVF	4440	54W	83	30°
150566 Zett2 D35004/FBS/54W/80/A30	D290x150xH133±1mm	FBS	3030	54W	57	30°

Product Code	Dimensions (mm)	CCT (K)	Lumens (lm)	Power (W)	Eff. (lm/watt)	Lens Angle (°)
CRI 80						
150567 Zett2 D35004/FZM/54W/80/A30	D290x150xH133±1mm	FZM	2910	54W	54	30°
150568 Zett2 D35004/FSM/54W/80/A30	D290x150xH133±1mm	FSM	2960	54W	55	30°
150569 Zett2 D35004/FSH/54W/80/A30	D290x150xH133±1mm	FSH	4340	54W	81	30°
150570 Zett2 D35004/BVF/54W/80/A45	D290x150xH133±1mm	BVF	4440	54W	83	45°
150571 Zett2 D35004/FBS/54W/80/A45	D290x150xH133±1mm	FBS	3030	54W	57	45°
150572 Zett2 D35004/FZM/54W/80/A45	D290x150xH133±1mm	FZM	2910	54W	54	45°
150573 Zett2 D35004/FSM/54W/80/A45	D290x150xH133±1mm	FSM	2960	54W	55	45°
150574 Zett2 D35004/FSH/54W/80/A45	D290x150xH133±1mm	FSH	4340	54W	81	45°
150575 Zett2 D35004/BVF/54W/80/A55	D290x150xH133±1mm	BVF	4440	54W	83	55°
150576 Zett2 D35004/FBS/54W/80/A55	D290x150xH133±1mm	FBS	3030	54W	57	55°
150577 Zett2 D35004/FZM/54W/80/A55	D290x150xH133±1mm	FZM	2910	54W	54	55°
150578 Zett2 D35004/FSM/54W/80/A55	D290x150xH133±1mm	FSM	2960	54W	55	55°
150579 Zett2 D35004/FSH/54W/80/A55	D290x150xH133±1mm	FSH	4340	54W	81	55°
150228 Zett1 D35003/AMB2200/14W/80/A20	D150x150xH133±1mm	AMB2200	1020	14W	73	20°
150229 Zett1 D35003/AMB2200/14W/80/A30	D150x150xH133±1mm	AMB2200	1020	14W	73	30°
150230 Zett1 D35003/AMB2200/14W/80/A45	D150x150xH133±1mm	AMB2200	1020	14W	73	45°
150231 Zett1 D35003/AMB2200/14W/80/A55	D150x150xH133±1mm	AMB2200	1020	14W	73	55°
150232 Zett1 D35003/AMB2200/20W/80/A20	D150x150xH133±1mm	AMB2200	1410	20W	71	20°
150233 Zett1 D35003/AMB2200/20W/80/A30	D150x150xH133±1mm	AMB2200	1410	20W	71	30°
150234 Zett1 D35003/AMB2200/20W/80/A45	D150x150xH133±1mm	AMB2200	1410	20W	71	45°
150235 Zett1 D35003/AMB2200/20W/80/A55	D150x150xH133±1mm	AMB2200	1410	20W	71	55°
150236 Zett1 D35003/AMB2200/27W/80/A20	D150x150xH133±1mm	AMB2200	1870	27W	70	20°
150237 Zett1 D35003/AMB2200/27W/80/A30	D150x150xH133±1mm	AMB2200	1870	27W	70	30°
150238 Zett1 D35003/AMB2200/27W/80/A45	D150x150xH133±1mm	AMB2200	1870	27W	70	45°
150239 Zett1 D35003/AMB2200/27W/80/A55	D150x150xH133±1mm	AMB2200	1870	27W	70	55°
150728 Zett2 D35004/AMB2200/28W/80/A20	D290x150xH133±1mm	AMB2200	2040	28W	73	20°
150729 Zett2 D35004/AMB2200/28W/80/A30	D290x150xH133±1mm	AMB2200	2040	28W	73	30°
150730 Zett2 D35004/AMB2200/28W/80/A45	D290x150xH133±1mm	AMB2200	2040	28W	73	45°
150731 Zett2 D35004/AMB2200/28W/80/A55	D290x150xH133±1mm	AMB2200	2040	28W	73	55°
150732 Zett2 D35004/AMB2200/40W/80/A20	D290x150xH133±1mm	AMB2200	2820	40W	71	20°
150733 Zett2 D35004/AMB2200/40W/80/A30	D290x150xH133±1mm	AMB2200	2820	40W	71	30°
150734 Zett2 D35004/AMB2200/40W/80/A45	D290x150xH133±1mm	AMB2200	2820	40W	71	45°
150735 Zett2 D35004/AMB2200/40W/80/A55	D290x150xH133±1mm	AMB2200	2820	40W	71	55°
150736 Zett2 D35004/AMB2200/54W/80/A20	D290x150xH133±1mm	AMB2200	3740	54W	70	20°
150737 Zett2 D35004/AMB2200/54W/80/A30	D290x150xH133±1mm	AMB2200	3740	54W	70	30°
150738 Zett2 D35004/AMB2200/54W/80/A45	D290x150xH133±1mm	AMB2200	3740	54W	70	45°
150739 Zett2 D35004/AMB2200/54W/80/A55	D290x150xH133±1mm	AMB2200	3740	54W	70	55°
CRI 93						
150092 Zett1 D35003/AGI3000/17W/93/A20	D150x150xH133±1mm	AGI3000	985	17W	58	20°
150093 Zett1 D35003/AGI3500/17W/93/A20	D150x150xH133±1mm	AGI3500	1050	17W	62	20°
150094 Zett1 D35003/AGI4000/17W/93/A20	D150x150xH133±1mm	AGI4000	1115	17W	66	20°
150095 Zett1 D35003/AGI3000/17W/93/A30	D150x150xH133±1mm	AGI3000	985	17W	58	30°
150096 Zett1 D35003/AGI3500/17W/93/A30	D150x150xH133±1mm	AGI3500	1050	17W	62	30°
150097 Zett1 D35003/AGI4000/17W/93/A30	D150x150xH133±1mm	AGI4000	1115	17W	66	30°
150098 Zett1 D35003/AGI3000/17W/93/A45	D150x150xH133±1mm	AGI3000	985	17W	58	45°
150099 Zett1 D35003/AGI3500/17W/93/A45	D150x150xH133±1mm	AGI3500	1050	17W	62	45°
150100 Zett1 D35003/AGI4000/17W/93/A45	D150x150xH133±1mm	AGI4000	1115	17W	66	45°
150101 Zett1 D35003/AGI3000/17W/93/A55	D150x150xH133±1mm	AGI3000	985	17W	58	55°
150102 Zett1 D35003/AGI3500/17W/93/A55	D150x150xH133±1mm	AGI3500	1050	17W	62	55°
150103 Zett1 D35003/AGI4000/17W/93/A55	D150x150xH133±1mm	AGI4000	1115	17W	66	55°

Product Code	Dimensions (mm)	CCT (K)	Lumens (lm)	Power (W)	Eff. (lm/watt)	Lens Angle (°)
CRI 93						
150104 Zett1 D35003/AGI3000/23W/93/A20	D150x150xH133±1mm	AGI3000	1330	23W	58	20°
150105 Zett1 D35003/AGI3500/23W/93/A20	D150x150xH133±1mm	AGI3500	1440	23W	63	20°
150106 Zett1 D35003/AGI4000/23W/93/A20	D150x150xH133±1mm	AGI4000	1550	23W	68	20°
150107 Zett1 D35003/AGI3000/23W/93/A30	D150x150xH133±1mm	AGI3000	1330	23W	58	30°
150108 Zett1 D35003/AGI3500/23W/93/A30	D150x150xH133±1mm	AGI3500	1440	23W	63	30°
150109 Zett1 D35003/AGI4000/23W/93/A30	D150x150xH133±1mm	AGI4000	1550	23W	68	30°
150110 Zett1 D35003/AGI3000/23W/93/A45	D150x150xH133±1mm	AGI3000	1330	23W	58	45°
150111 Zett1 D35003/AGI3500/23W/93/A45	D150x150xH133±1mm	AGI3500	1440	23W	63	45°
150112 Zett1 D35003/AGI4000/23W/93/A45	D150x150xH133±1mm	AGI4000	1550	23W	68	45°
150113 Zett1 D35003/AGI3000/23W/93/A55	D150x150xH133±1mm	AGI3000	1330	23W	58	55°
150114 Zett1 D35003/AGI3500/23W/93/A55	D150x150xH133±1mm	AGI3500	1440	23W	63	55°
150115 Zett1 D35003/AGI4000/23W/93/A55	D150x150xH133±1mm	AGI4000	1550	23W	68	55°
150116 Zett1 D35003/AGI3000/29W/93/A20	D150x150xH133±1mm	AGI3000	1680	29W	58	20°
150117 Zett1 D35003/AGI3500/29W/93/A20	D150x150xH133±1mm	AGI3500	1820	29W	63	20°
150118 Zett1 D35003/AGI4000/29W/93/A20	D150x150xH133±1mm	AGI4000	1960	29W	68	20°
150119 Zett1 D35003/AGI3000/29W/93/A30	D150x150xH133±1mm	AGI3000	1680	29W	58	30°
150120 Zett1 D35003/AGI3500/29W/93/A30	D150x150xH133±1mm	AGI3500	1820	29W	63	30°
150121 Zett1 D35003/AGI4000/29W/93/A30	D150x150xH133±1mm	AGI4000	1960	29W	68	30°
150122 Zett1 D35003/AGI3000/29W/93/A45	D150x150xH133±1mm	AGI3000	1680	29W	58	45°
150123 Zett1 D35003/AGI3500/29W/93/A45	D150x150xH133±1mm	AGI3500	1820	29W	63	45°
150124 Zett1 D35003/AGI4000/29W/93/A45	D150x150xH133±1mm	AGI4000	1960	29W	68	45°
150125 Zett1 D35003/AGI3000/29W/93/A55	D150x150xH133±1mm	AGI3000	1680	29W	58	55°
150126 Zett1 D35003/AGI3500/29W/93/A55	D150x150xH133±1mm	AGI3500	1820	29W	63	55°
150127 Zett1 D35003/AGI4000/29W/93/A55	D150x150xH133±1mm	AGI4000	1960	29W	68	55°
150592 Zett2 D35004/AGI3000/34W/93/A20	D290x150xH133±1mm	AGI3000	1970	34W	58	20°
150593 Zett2 D35004/AGI3500/34W/93/A20	D290x150xH133±1mm	AGI3500	2100	34W	62	20°
150594 Zett2 D35004/AGI4000/34W/93/A20	D290x150xH133±1mm	AGI4000	2230	34W	66	20°
150595 Zett2 D35004/AGI3000/34W/93/A30	D290x150xH133±1mm	AGI3000	1970	34W	58	30°
150596 Zett2 D35004/AGI3500/34W/93/A30	D290x150xH133±1mm	AGI3500	2100	34W	62	30°
150597 Zett2 D35004/AGI4000/34W/93/A30	D290x150xH133±1mm	AGI4000	2230	34W	66	30°
150598 Zett2 D35004/AGI3000/34W/93/A45	D290x150xH133±1mm	AGI3000	1970	34W	58	45°
150599 Zett2 D35004/AGI3500/34W/93/A45	D290x150xH133±1mm	AGI3500	2100	34W	62	45°
150600 Zett2 D35004/AGI4000/34W/93/A45	D290x150xH133±1mm	AGI4000	2230	34W	66	45°
150601 Zett2 D35004/AGI3000/34W/93/A55	D290x150xH133±1mm	AGI3000	1970	34W	58	55°
150602 Zett2 D35004/AGI3500/34W/93/A55	D290x150xH133±1mm	AGI3500	2100	34W	62	55°
150603 Zett2 D35004/AGI4000/34W/93/A55	D290x150xH133±1mm	AGI4000	2230	34W	66	55°
150604 Zett2 D35004/AGI3000/46W/93/A20	D290x150xH133±1mm	AGI3000	2660	46W	58	20°
150605 Zett2 D35004/AGI3500/46W/93/A20	D290x150xH133±1mm	AGI3500	2880	46W	63	20°
150606 Zett2 D35004/AGI4000/46W/93/A20	D290x150xH133±1mm	AGI4000	3100	46W	68	20°
150607 Zett2 D35004/AGI3000/46W/93/A30	D290x150xH133±1mm	AGI3000	2660	46W	58	30°
150608 Zett2 D35004/AGI3500/46W/93/A30	D290x150xH133±1mm	AGI3500	2880	46W	63	30°
150609 Zett2 D35004/AGI4000/46W/93/A30	D290x150xH133±1mm	AGI4000	3100	46W	68	30°
150610 Zett2 D35004/AGI3000/46W/93/A45	D290x150xH133±1mm	AGI3000	2660	46W	58	45°
150611 Zett2 D35004/AGI3500/46W/93/A45	D290x150xH133±1mm	AGI3500	2880	46W	63	45°
150612 Zett2 D35004/AGI4000/46W/93/A45	D290x150xH133±1mm	AGI4000	3100	46W	68	45°
150613 Zett2 D35004/AGI3000/46W/93/A55	D290x150xH133±1mm	AGI3000	2660	46W	58	55°
150614 Zett2 D35004/AGI3500/46W/93/A55	D290x150xH133±1mm	AGI3500	2880	46W	63	55°
150615 Zett2 D35004/AGI4000/46W/93/A55	D290x150xH133±1mm	AGI4000	3100	46W	68	55°
150616 Zett2 D35004/AGI3000/58W/93/A20	D290x150xH133±1mm	AGI3000	3360	58W	58	20°
150617 Zett2 D35004/AGI3500/58W/93/A20	D290x150xH133±1mm	AGI3500	3640	58W	63	20°
150618 Zett2 D35004/AGI4000/58W/93/A20	D290x150xH133±1mm	AGI4000	3920	58W	68	20°

Product Code	Dimensions (mm)	CCT (K)	Lumens (lm)	Power (W)	Eff. (lm/watt)	Lens Angle (°)
CRI 93						
150619 Zett2 D35004/AGI3000/58W/93/A30	D290x150xH133±1mm	AGI3000	3360	58W	58	30°
150620 Zett2 D35004/AGI3500/58W/93/A30	D290x150xH133±1mm	AGI3500	3640	58W	63	30°
150621 Zett2 D35004/AGI4000/58W/93/A30	D290x150xH133±1mm	AGI4000	3920	58W	68	30°
150622 Zett2 D35004/AGI3000/58W/93/A45	D290x150xH133±1mm	AGI3000	3360	58W	58	45°
150623 Zett2 D35004/AGI3500/58W/93/A45	D290x150xH133±1mm	AGI3500	3640	58W	63	45°
150624 Zett2 D35004/AGI4000/58W/93/A45	D290x150xH133±1mm	AGI4000	3920	58W	68	45°
150625 Zett2 D35004/AGI3000/58W/93/A55	D290x150xH133±1mm	AGI3000	3360	58W	58	55°
150626 Zett2 D35004/AGI3500/58W/93/A55	D290x150xH133±1mm	AGI3500	3640	58W	63	55°
150627 Zett2 D35004/AGI4000/58W/93/A55	D290x150xH133±1mm	AGI4000	3920	58W	68	55°

CRI 95						
150204 Zett1 D35003/FAS/14W/95/A20	D150x150xH133±1mm	FAS	1165	14W	84	20°
150205 Zett1 D35003/FAS/14W/95/A30	D150x150xH133±1mm	FAS	1165	14W	84	30°
150206 Zett1 D35003/FAS/14W/95/A45	D150x150xH133±1mm	FAS	1165	14W	84	45°
150207 Zett1 D35003/FAS/14W/95/A55	D150x150xH133±1mm	FAS	1165	14W	84	55°
150208 Zett1 D35003/FAS/20W/95/A20	D150x150xH133±1mm	FAS	1610	20W	81	20°
150209 Zett1 D35003/FAS/20W/95/A30	D150x150xH133±1mm	FAS	1610	20W	81	30°
150210 Zett1 D35003/FAS/20W/95/A45	D150x150xH133±1mm	FAS	1610	20W	81	45°
150211 Zett1 D35003/FAS/20W/95/A55	D150x150xH133±1mm	FAS	1610	20W	81	55°
150080 Zett1 D35003/FAS/27W/95/A20	D150x150xH133±1mm	FAS	2120	27W	79	20°
150081 Zett1 D35003/FAS/27W/95/A30	D150x150xH133±1mm	FAS	2120	27W	79	30°
150082 Zett1 D35003/FAS/27W/95/A45	D150x150xH133±1mm	FAS	2120	27W	79	45°
150083 Zett1 D35003/FAS/27W/95/A55	D150x150xH133±1mm	FAS	2120	27W	79	55°
150704 Zett2 D35004/FAS/28W/95/A20	D290x150xH133±1mm	FAS	2330	28W	84	20°
150705 Zett2 D35004/FAS/28W/95/A30	D290x150xH133±1mm	FAS	2330	28W	84	30°
150706 Zett2 D35004/FAS/28W/95/A45	D290x150xH133±1mm	FAS	2330	28W	84	45°
150707 Zett2 D35004/FAS/28W/95/A55	D290x150xH133±1mm	FAS	2330	28W	84	55°
150708 Zett2 D35004/FAS/40W/95/A20	D290x150xH133±1mm	FAS	3220	40W	81	20°
150709 Zett2 D35004/FAS/40W/95/A30	D290x150xH133±1mm	FAS	3220	40W	81	30°
150710 Zett2 D35004/FAS/40W/95/A45	D290x150xH133±1mm	FAS	3220	40W	81	45°
150711 Zett2 D35004/FAS/40W/95/A55	D290x150xH133±1mm	FAS	3220	40W	81	55°
150580 Zett2 D35004/FAS/54W/95/A20	D290x150xH133±1mm	FAS	4240	54W	79	20°
150581 Zett2 D35004/FAS/54W/95/A30	D290x150xH133±1mm	FAS	4240	54W	79	30°
150582 Zett2 D35004/FAS/54W/95/A45	D290x150xH133±1mm	FAS	4240	54W	79	45°
150583 Zett2 D35004/FAS/54W/95/A55	D290x150xH133±1mm	FAS	4240	54W	79	55°

CRI 98						
150216 Zett1 D35003/ART3000/14W/98/A20	D150x150xH133±1mm	ART3000	1160	14W	83	20°
150217 Zett1 D35003/ART3000/14W/98/A30	D150x150xH133±1mm	ART3000	1160	14W	83	30°
150218 Zett1 D35003/ART3000/14W/98/A45	D150x150xH133±1mm	ART3000	1160	14W	83	45°
150219 Zett1 D35003/ART3000/14W/98/A55	D150x150xH133±1mm	ART3000	1160	14W	83	55°
150224 Zett1 D35003/ART3000/20W/98/A20	D150x150xH133±1mm	ART3000	1600	20W	80	20°
150225 Zett1 D35003/ART3000/20W/98/A30	D150x150xH133±1mm	ART3000	1600	20W	80	30°
150226 Zett1 D35003/ART3000/20W/98/A45	D150x150xH133±1mm	ART3000	1600	20W	80	45°
150227 Zett1 D35003/ART3000/20W/98/A55	D150x150xH133±1mm	ART3000	1600	20W	80	55°
150088 Zett1 D35003/ART3000/27W/98/A20	D150x150xH133±1mm	ART3000	2095	27W	78	20°
150089 Zett1 D35003/ART3000/27W/98/A30	D150x150xH133±1mm	ART3000	2095	27W	78	30°
150090 Zett1 D35003/ART3000/27W/98/A45	D150x150xH133±1mm	ART3000	2095	27W	78	45°
150091 Zett1 D35003/ART3000/27W/98/A55	D150x150xH133±1mm	ART3000	2095	27W	78	55°
150716 Zett2 D35004/ART3000/28W/98/A20	D290x150xH133±1mm	ART3000	2320	28W	83	20°
150717 Zett2 D35004/ART3000/28W/98/A30	D290x150xH133±1mm	ART3000	2320	28W	83	30°

Product Code	Dimensions (mm)	CCT (K)	Lumens (lm)	Power (W)	Eff. (lm/watt)	Lens Angle (°)
CRI 98						
150718 Zett2 D35004/ART3000/28W/98/A45	D290x150xH133±1mm	ART3000	2320	28W	83	45°
150719 Zett2 D35004/ART3000/28W/98/A55	D290x150xH133±1mm	ART3000	2320	28W	83	55°
150724 Zett2 D35004/ART3000/40W/98/A20	D290x150xH133±1mm	ART3000	3200	40W	80	20°
150725 Zett2 D35004/ART3000/40W/98/A30	D290x150xH133±1mm	ART3000	3200	40W	80	30°
150726 Zett2 D35004/ART3000/40W/98/A45	D290x150xH133±1mm	ART3000	3200	40W	80	45°
150727 Zett2 D35004/ART3000/40W/98/A55	D290x150xH133±1mm	ART3000	3200	40W	80	55°
150588 Zett2 D35004/ART3000/54W/98/A20	D290x150xH133±1mm	ART3000	4190	54W	78	20°
150589 Zett2 D35004/ART3000/54W/98/A30	D290x150xH133±1mm	ART3000	4190	54W	78	30°
150590 Zett2 D35004/ART3000/54W/98/A45	D290x150xH133±1mm	ART3000	4190	54W	78	45°
150591 Zett2 D35004/ART3000/54W/98/A55	D290x150xH133±1mm	ART3000	4190	54W	78	55°