



Zett

RECESSED DIRECTIONAL DOWNLIGHTS | ECO-DALI

Recessed downlight with the option of up to 2 bodies to independently move. Highly adjustable with a minimalist design that adds an unobtrusive yet elegant accent to the spaces where it's mounted. Its patented flexible mechanism enables the downlight to be rotated by 350° and tilted by 25°. Its lenses with different angle beams precisely direct the light towards the desired objects.

Zett's aluminium housing is available in several colors - Signal White, Jet Black and White Aluminium- , for a perfect blend with various environments.

Zett recessed downlight comes in several series, with various add-on and controls:

- Zett TEC – the standard for any project in the retail and healthcare sectors
- Zett TEC EM – with emergency lighting kit
- Zett ECO – DALI – with DALI controls for illumination adjustments
- Zett ECO EM – with DALI controls and emergency lighting kit

FEATURES & BENEFITS

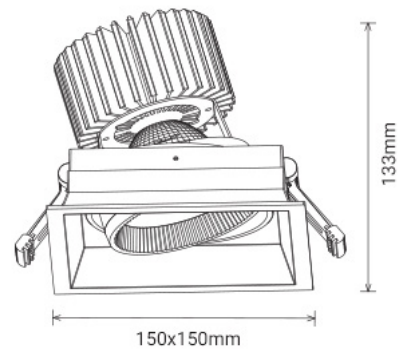
- CRI > 80 as standard, up to 98 for special color temperatures
- Rotates through 350°, tilts through 25°
- Long rated life – L90/B10 at 50,000h
- Wide variety of angle beams: 20°, 30°, 45°, 55° (for a precise angle beam)

APPLICATION

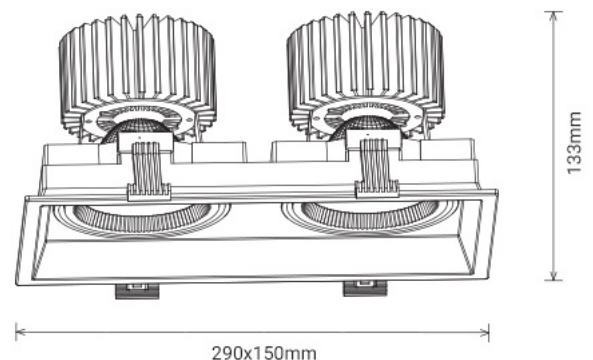
Beauty salons | Healthcare | Retail shops



Cut Out 140x140mm



Cut Out 280x140mm



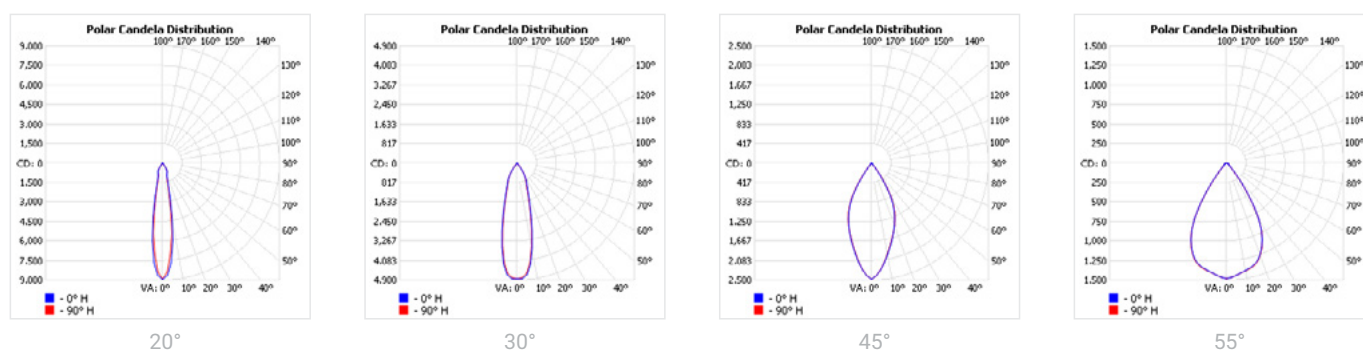
SPECIFICATIONS

Power consumption	14W, 17W, 20W, 23W, 27W, 29W	28W, 34W, 40W, 46W, 54W, 58W
Dimensions	D150x150xH133±1mm (Cut Out 140x140mm)	D290x150xH133±1mm (Cut Out 280x140mm)
Weight	1.1 Kg	2.0 Kg
Housing materials	Aluminium, Glass	
IK code	IK02	
THD (at 230V, 50Hz, Full load)	<10%	
Protection class	Safety class 1	
Operating temperature [°C]	-20 ... +45 °C / -4F ... +113F	
Operating humidity [%]	10 ÷ 85	
Power factor	≥0.95	
AC Input [Vac]	220 - 240 VAC	
Lens angle [°]	20°, 30°, 45°, 55°	
Lifespan [h]	50,000	
Housing color	○ RAL 9003 - Signal White, ● RAL 9005 - Jet Black, ● RAL 9006 - White Aluminium	
Lumen maintenance	L90/B10@50,000h at 25°C	
IP factor	IP20	
Control optional	ECO-DALI	
Warranty [years]	5	
Storage temperature range [°C]	-20 ... +55 / -4F ... +131F	
Emergency option	For more information please see ZETT ECO-DALI EM datasheet	

#	Standard	Food	Fashion	AGI	Enhanced	ART	AMB	SUNSET
CRI	CRI80	CRI80	CRI95	CRI93	CRI90 / CRI95	CRI98	CRI80	CRI90
CCT [K]	2700 / 3000 / 3500 / 4000	BVF / FBS / FZM / FSM / FSH	FAS	AGI 3000 / 3500 / 4000	2700 / 3000 / 3500 / 4000	3000	2200	1800...2700
MacAdam	3	3 / 4 / 4 / 3 / 3	3	3	2	2	3	3

CRI - Color rendering, CCT - Color temperature, MacAdam - Color consistency

LIGHT DISTRIBUTION



TOLERANCES

Luminous flux tolerances: -/+ 5%

Consumption tolerance: -/+ 5% for TEC | -/+ 10% for TEC & KIT EM | -/+ 10% for ECO-DALI | -/+ 15% for ECO-DALI & KIT EM

BATTERY WARRANTY

TEC EM & ECO EM: 12 months warranty

TEC & ECO: -

MAXIMUM NO. OF LUMINAIRES ON A CIRCUIT

Power	Driver type	Control type	Circuit Breaker Type						
			Amperage	B			C		
				20	16	10	20	16	10
12-14W	SR	TEC	62/31	50/25	31/15	104/52	85/42	52/26	
17-20W	SR	TEC	62/31	50/25	31/15	104/52	85/42	52/26	
23-27W	SR	TEC	24/12	20/10	10/5	47/23	40/20	20/10	
29-35W	SR	TEC	24/12	20/10	10/5	47/23	40/20	20/10	
42W	SR	TEC	20/10	16/8	8/4	38/19	32/16	16/8	
12-14W	SR	ECO	62/31	50/25	31/15	104/52	85/42	52/26	
23-27W	SR	ECO	25/12	21/10	13/6	50/25	42/21	26/13	
34-42W	SR	ECO	17/8	14/7	9/4	34/17	28/14	18/9	

● Values for Zett 1 ● Values for Zett 2

RISK GROUP

Standard (CRI80) RG1

FOOD (BVF, FBS, FSM) RG1

FOOD <20W (FZM, FSH) RG2 (dthr=1.8m)

FOOD >20W (FZM, FSH) RG2 (dthr=2.2m)

FAS RG1

AMB2200 RG1

ART RG1

AGI RG1

CRI95 RG1

SUNSET RG1

RG1

The evaluation of photobiological safety is carried out according to the standard IEC 62471:2008 ("Photobiological safety of lamps and lamp systems"). Following the definition of the risk grouping system of the mentioned IEC standard, the LEDs mounted on this family fall into the class "Low Risk (RG1 – No photobiological hazard under normal behavioral limitations)". Under real circumstances (regarding exposure time, pupils, observation distance), it is assumed that there is no endangerment to the eye from these devices. As a matter of principle, however, it should be mentioned that intense light sources have a high secondary exposure potential due to their blinding effect.

RG2

The evaluation of photobiological safety is carried out according to the standard IEC 62471:2008 ("Photobiological safety of lamps and lamp systems"). Following the definition of the risk grouping system of the mentioned IEC standard, the LEDs mounted on this family fall into the class "Moderate Risk (RG2)". Under real circumstances (regarding exposure time, pupils, observation distance), it is assumed that there is no endangerment to the eye from these devices. As a matter of principle, however, it should be mentioned that intense light sources have a high secondary exposure potential due to their blinding effect.

SKU SPECIFICATIONS

Product Code	Dimensions (mm)	CCT (K)	Lumens (lm)	Power (W)	Eff. (lm/watt)	Lens Angle (°)	
CRI 80							
250000	Zett1 D35003/2700/14W/80/A20	D150x150xH133±1mm	2700	1440	14W	103	20°
250001	Zett1 D35003/3000/14W/80/A20	D150x150xH133±1mm	3000	1455	14W	104	20°
250002	Zett1 D35003/3500/14W/80/A20	D150x150xH133±1mm	3500	1495	14W	107	20°
250003	Zett1 D35003/4000/14W/80/A20	D150x150xH133±1mm	4000	1525	14W	109	20°
250005	Zett1 D35003/2700/14W/80/A30	D150x150xH133±1mm	2700	1440	14W	103	30°
250006	Zett1 D35003/3000/14W/80/A30	D150x150xH133±1mm	3000	1455	14W	104	30°
250007	Zett1 D35003/3500/14W/80/A30	D150x150xH133±1mm	3500	1495	14W	107	30°
250008	Zett1 D35003/4000/14W/80/A30	D150x150xH133±1mm	4000	1525	14W	109	30°
250010	Zett1 D35003/2700/14W/80/A45	D150x150xH133±1mm	2700	1440	14W	103	45°
250011	Zett1 D35003/3000/14W/80/A45	D150x150xH133±1mm	3000	1455	14W	104	45°
250012	Zett1 D35003/3500/14W/80/A45	D150x150xH133±1mm	3500	1495	14W	107	45°
250013	Zett1 D35003/4000/14W/80/A45	D150x150xH133±1mm	4000	1525	14W	109	45°
250015	Zett1 D35003/2700/14W/80/A55	D150x150xH133±1mm	2700	1440	14W	103	55°
250016	Zett1 D35003/3000/14W/80/A55	D150x150xH133±1mm	3000	1455	14W	104	55°
250017	Zett1 D35003/3500/14W/80/A55	D150x150xH133±1mm	3500	1495	14W	107	55°
250018	Zett1 D35003/4000/14W/80/A55	D150x150xH133±1mm	4000	1525	14W	109	55°
250020	Zett1 D35003/2700/20W/80/A20	D150x150xH133±1mm	2700	2010	20W	101	20°
250021	Zett1 D35003/3000/20W/80/A20	D150x150xH133±1mm	3000	2025	20W	102	20°
250022	Zett1 D35003/3500/20W/80/A20	D150x150xH133±1mm	3500	2080	20W	104	20°
250023	Zett1 D35003/4000/20W/80/A20	D150x150xH133±1mm	4000	2120	20W	106	20°
250025	Zett1 D35003/2700/20W/80/A30	D150x150xH133±1mm	2700	2010	20W	101	30°
250026	Zett1 D35003/3000/20W/80/A30	D150x150xH133±1mm	3000	2025	20W	102	30°
250027	Zett1 D35003/3500/20W/80/A30	D150x150xH133±1mm	3500	2080	20W	104	30°
250028	Zett1 D35003/4000/20W/80/A30	D150x150xH133±1mm	4000	2120	20W	106	30°
250030	Zett1 D35003/2700/20W/80/A45	D150x150xH133±1mm	2700	2010	20W	101	45°
250031	Zett1 D35003/3000/20W/80/A45	D150x150xH133±1mm	3000	2025	20W	102	45°
250032	Zett1 D35003/3500/20W/80/A45	D150x150xH133±1mm	3500	2080	20W	104	45°
250033	Zett1 D35003/4000/20W/80/A45	D150x150xH133±1mm	4000	2120	20W	106	45°
250035	Zett1 D35003/2700/20W/80/A55	D150x150xH133±1mm	2700	2010	20W	101	55°
250036	Zett1 D35003/3000/20W/80/A55	D150x150xH133±1mm	3000	2025	20W	102	55°
250037	Zett1 D35003/3500/20W/80/A55	D150x150xH133±1mm	3500	2080	20W	104	55°
250038	Zett1 D35003/4000/20W/80/A55	D150x150xH133±1mm	4000	2120	20W	106	55°
250040	Zett1 D35003/2700/27W/80/A20	D150x150xH133±1mm	2700	2605	27W	97	20°
250041	Zett1 D35003/3000/27W/80/A20	D150x150xH133±1mm	3000	2630	27W	98	20°
250042	Zett1 D35003/3500/27W/80/A20	D150x150xH133±1mm	3500	2700	27W	100	20°
250043	Zett1 D35003/4000/27W/80/A20	D150x150xH133±1mm	4000	2755	27W	103	20°
250045	Zett1 D35003/2700/27W/80/A30	D150x150xH133±1mm	2700	2605	27W	97	30°
250046	Zett1 D35003/3000/27W/80/A30	D150x150xH133±1mm	3000	2630	27W	98	30°
250047	Zett1 D35003/3500/27W/80/A30	D150x150xH133±1mm	3500	2700	27W	100	30°
250048	Zett1 D35003/4000/27W/80/A30	D150x150xH133±1mm	4000	2755	27W	103	30°
250050	Zett1 D35003/2700/27W/80/A45	D150x150xH133±1mm	2700	2605	27W	97	45°
250051	Zett1 D35003/3000/27W/80/A45	D150x150xH133±1mm	3000	2630	27W	98	45°
250052	Zett1 D35003/3500/27W/80/A45	D150x150xH133±1mm	3500	2700	27W	100	45°
250053	Zett1 D35003/4000/27W/80/A45	D150x150xH133±1mm	4000	2755	27W	103	45°
250055	Zett1 D35003/2700/27W/80/A55	D150x150xH133±1mm	2700	2605	27W	97	55°
250056	Zett1 D35003/3000/27W/80/A55	D150x150xH133±1mm	3000	2630	27W	98	55°
250057	Zett1 D35003/3500/27W/80/A55	D150x150xH133±1mm	3500	2700	27W	100	55°
250058	Zett1 D35003/4000/27W/80/A55	D150x150xH133±1mm	4000	2755	27W	103	55°
250500	Zett2 D35004/2700/28W/80/A20	D290x150xH133±1mm	2700	2880	28W	103	20°
250501	Zett2 D35004/3000/28W/80/A20	D290x150xH133±1mm	3000	2910	28W	104	20°

Product Code	Dimensions (mm)	CCT (K)	Lumens (lm)	Power (W)	Eff. (lm/watt)	Lens Angle (°)
CRI 80						
250502 Zett2 D35004/3500/28W/80/A20	D290x150xH133±1mm	3500	2990	28W	107	20°
250503 Zett2 D35004/4000/28W/80/A20	D290x150xH133±1mm	4000	3050	28W	109	20°
250505 Zett2 D35004/2700/28W/80/A30	D290x150xH133±1mm	2700	2880	28W	103	30°
250506 Zett2 D35004/3000/28W/80/A30	D290x150xH133±1mm	3000	2910	28W	104	30°
250507 Zett2 D35004/3500/28W/80/A30	D290x150xH133±1mm	3500	2990	28W	107	30°
250508 Zett2 D35004/4000/28W/80/A30	D290x150xH133±1mm	4000	3050	28W	109	30°
250510 Zett2 D35004/2700/28W/80/A45	D290x150xH133±1mm	2700	2880	28W	103	45°
250511 Zett2 D35004/3000/28W/80/A45	D290x150xH133±1mm	3000	2910	28W	104	45°
250512 Zett2 D35004/3500/28W/80/A45	D290x150xH133±1mm	3500	2990	28W	107	45°
250513 Zett2 D35004/4000/28W/80/A45	D290x150xH133±1mm	4000	3050	28W	109	45°
250515 Zett2 D35004/2700/28W/80/A55	D290x150xH133±1mm	2700	2880	28W	103	55°
250516 Zett2 D35004/3000/28W/80/A55	D290x150xH133±1mm	3000	2910	28W	104	55°
250517 Zett2 D35004/3500/28W/80/A55	D290x150xH133±1mm	3500	2990	28W	107	55°
250518 Zett2 D35004/4000/28W/80/A55	D290x150xH133±1mm	4000	3050	28W	109	55°
250520 Zett2 D35004/2700/40W/80/A20	D290x150xH133±1mm	2700	4020	40W	101	20°
250521 Zett2 D35004/3000/40W/80/A20	D290x150xH133±1mm	3000	4050	40W	102	20°
250522 Zett2 D35004/3500/40W/80/A20	D290x150xH133±1mm	3500	4160	40W	104	20°
250523 Zett2 D35004/4000/40W/80/A20	D290x150xH133±1mm	4000	4240	40W	106	20°
250525 Zett2 D35004/2700/40W/80/A30	D290x150xH133±1mm	2700	4020	40W	101	30°
250526 Zett2 D35004/3000/40W/80/A30	D290x150xH133±1mm	3000	4050	40W	102	30°
250527 Zett2 D35004/3500/40W/80/A30	D290x150xH133±1mm	3500	4160	40W	104	30°
250528 Zett2 D35004/4000/40W/80/A30	D290x150xH133±1mm	4000	4240	40W	106	30°
250530 Zett2 D35004/2700/40W/80/A45	D290x150xH133±1mm	2700	4020	40W	101	45°
250531 Zett2 D35004/3000/40W/80/A45	D290x150xH133±1mm	3000	4050	40W	102	45°
250532 Zett2 D35004/3500/40W/80/A45	D290x150xH133±1mm	3500	4160	40W	104	45°
250533 Zett2 D35004/4000/40W/80/A45	D290x150xH133±1mm	4000	4240	40W	106	45°
250535 Zett2 D35004/2700/40W/80/A55	D290x150xH133±1mm	2700	4020	40W	101	55°
250536 Zett2 D35004/3000/40W/80/A55	D290x150xH133±1mm	3000	4050	40W	102	55°
250537 Zett2 D35004/3500/40W/80/A55	D290x150xH133±1mm	3500	4160	40W	104	55°
250538 Zett2 D35004/4000/40W/80/A55	D290x150xH133±1mm	4000	4240	40W	106	55°
250540 Zett2 D35004/2700/54W/80/A20	D290x150xH133±1mm	2700	5210	54W	97	20°
250541 Zett2 D35004/3000/54W/80/A20	D290x150xH133±1mm	3000	5260	54W	98	20°
250542 Zett2 D35004/3500/54W/80/A20	D290x150xH133±1mm	3500	5400	54W	100	20°
250543 Zett2 D35004/4000/54W/80/A20	D290x150xH133±1mm	4000	5510	54W	103	20°
250545 Zett2 D35004/2700/54W/80/A30	D290x150xH133±1mm	2700	5210	54W	97	30°
250546 Zett2 D35004/3000/54W/80/A30	D290x150xH133±1mm	3000	5260	54W	98	30°
250547 Zett2 D35004/3500/54W/80/A30	D290x150xH133±1mm	3500	5400	54W	100	30°
250548 Zett2 D35004/4000/54W/80/A30	D290x150xH133±1mm	4000	5510	54W	103	30°
250550 Zett2 D35004/2700/54W/80/A45	D290x150xH133±1mm	2700	5210	54W	97	45°
250551 Zett2 D35004/3000/54W/80/A45	D290x150xH133±1mm	3000	5260	54W	98	45°
250552 Zett2 D35004/3500/54W/80/A45	D290x150xH133±1mm	3500	5400	54W	100	45°
250553 Zett2 D35004/4000/54W/80/A45	D290x150xH133±1mm	4000	5510	54W	103	45°
250555 Zett2 D35004/2700/54W/80/A55	D290x150xH133±1mm	2700	5210	54W	97	55°
250556 Zett2 D35004/3000/54W/80/A55	D290x150xH133±1mm	3000	5260	54W	98	55°
250557 Zett2 D35004/3500/54W/80/A55	D290x150xH133±1mm	3500	5400	54W	100	55°
250558 Zett2 D35004/4000/54W/80/A55	D290x150xH133±1mm	4000	5510	54W	103	55°
250164 Zett1 D35003/BVF/14W/80/A20	D150x150xH133±1mm	BVF	1225	14W	88	20°
250165 Zett1 D35003/FBS/14W/80/A20	D150x150xH133±1mm	FBS	830	14W	60	20°
250166 Zett1 D35003/FZM/14W/80/A20	D150x150xH133±1mm	FZM	800	14W	58	20°
250167 Zett1 D35003/FSM/14W/80/A20	D150x150xH133±1mm	FSM	830	14W	60	20°
250168 Zett1 D35003/FSH/14W/80/A20	D150x150xH133±1mm	FSH	1180	14W	85	20°

Product Code	Dimensions (mm)	CCT (K)	Lumens (lm)	Power (W)	Eff. (lm/watt)	Lens Angle (°)	
CRI 80							
250169	Zett1 D35003/BVF/14W/80/A30	D150x150xH133±1mm	BVF	1225	14W	88	30°
250170	Zett1 D35003/FBS/14W/80/A30	D150x150xH133±1mm	FBS	830	14W	60	30°
250171	Zett1 D35003/FZM/14W/80/A30	D150x150xH133±1mm	FZM	800	14W	58	30°
250172	Zett1 D35003/FSM/14W/80/A30	D150x150xH133±1mm	FSM	830	14W	60	30°
250173	Zett1 D35003/FSH/14W/80/A30	D150x150xH133±1mm	FSH	1180	14W	85	30°
250174	Zett1 D35003/BVF/14W/80/A45	D150x150xH133±1mm	BVF	1225	14W	88	45°
250175	Zett1 D35003/FBS/14W/80/A45	D150x150xH133±1mm	FBS	830	14W	60	45°
250176	Zett1 D35003/FZM/14W/80/A45	D150x150xH133±1mm	FZM	800	14W	58	45°
250177	Zett1 D35003/FSM/14W/80/A45	D150x150xH133±1mm	FSM	830	14W	60	45°
250178	Zett1 D35003/FSH/14W/80/A45	D150x150xH133±1mm	FSH	1180	14W	85	45°
250179	Zett1 D35003/BVF/14W/80/A55	D150x150xH133±1mm	BVF	1225	14W	88	55°
250180	Zett1 D35003/FBS/14W/80/A55	D150x150xH133±1mm	FBS	830	14W	60	55°
250181	Zett1 D35003/FZM/14W/80/A55	D150x150xH133±1mm	FZM	800	14W	58	55°
250182	Zett1 D35003/FSM/14W/80/A55	D150x150xH133±1mm	FSM	830	14W	60	55°
250183	Zett1 D35003/FSH/14W/80/A55	D150x150xH133±1mm	FSH	1180	14W	85	55°
250184	Zett1 D35003/BVF/20W/80/A20	D150x150xH133±1mm	BVF	1675	20W	84	20°
250185	Zett1 D35003/FBS/20W/80/A20	D150x150xH133±1mm	FBS	1155	20W	58	20°
250186	Zett1 D35003/FZM/20W/80/A20	D150x150xH133±1mm	FZM	1105	20W	56	20°
250187	Zett1 D35003/FSM/20W/80/A20	D150x150xH133±1mm	FSM	1130	20W	57	20°
250188	Zett1 D35003/FSH/20W/80/A20	D150x150xH133±1mm	FSH	1640	20W	82	20°
250189	Zett1 D35003/BVF/20W/80/A30	D150x150xH133±1mm	BVF	1675	20W	84	30°
250190	Zett1 D35003/FBS/20W/80/A30	D150x150xH133±1mm	FBS	1155	20W	58	30°
250191	Zett1 D35003/FZM/20W/80/A30	D150x150xH133±1mm	FZM	1105	20W	56	30°
250192	Zett1 D35003/FSM/20W/80/A30	D150x150xH133±1mm	FSM	1130	20W	57	30°
250193	Zett1 D35003/FSH/20W/80/A30	D150x150xH133±1mm	FSH	1640	20W	82	30°
250194	Zett1 D35003/BVF/20W/80/A45	D150x150xH133±1mm	BVF	1675	20W	84	45°
250195	Zett1 D35003/FBS/20W/80/A45	D150x150xH133±1mm	FBS	1155	20W	58	45°
250196	Zett1 D35003/FZM/20W/80/A45	D150x150xH133±1mm	FZM	1105	20W	56	45°
250197	Zett1 D35003/FSM/20W/80/A45	D150x150xH133±1mm	FSM	1130	20W	57	45°
250198	Zett1 D35003/FSH/20W/80/A45	D150x150xH133±1mm	FSH	1640	20W	82	45°
250199	Zett1 D35003/BVF/20W/80/A55	D150x150xH133±1mm	BVF	1675	20W	84	55°
250200	Zett1 D35003/FBS/20W/80/A55	D150x150xH133±1mm	FBS	1155	20W	58	55°
250201	Zett1 D35003/FZM/20W/80/A55	D150x150xH133±1mm	FZM	1105	20W	56	55°
250202	Zett1 D35003/FSM/20W/80/A55	D150x150xH133±1mm	FSM	1130	20W	57	55°
250203	Zett1 D35003/FSH/20W/80/A55	D150x150xH133±1mm	FSH	1640	20W	82	55°
250060	Zett1 D35003/BVF/27W/80/A20	D150x150xH133±1mm	BVF	2220	27W	83	20°
250061	Zett1 D35003/FBS/27W/80/A20	D150x150xH133±1mm	FBS	1515	27W	57	20°
250062	Zett1 D35003/FZM/27W/80/A20	D150x150xH133±1mm	FZM	1455	27W	54	20°
250063	Zett1 D35003/FSM/27W/80/A20	D150x150xH133±1mm	FSM	1480	27W	55	20°
250064	Zett1 D35003/FSH/27W/80/A20	D150x150xH133±1mm	FSH	2170	27W	81	20°
250065	Zett1 D35003/BVF/27W/80/A30	D150x150xH133±1mm	BVF	2220	27W	83	30°
250066	Zett1 D35003/FBS/27W/80/A30	D150x150xH133±1mm	FBS	1515	27W	57	30°
250067	Zett1 D35003/FZM/27W/80/A30	D150x150xH133±1mm	FZM	1455	27W	54	30°
250068	Zett1 D35003/FSM/27W/80/A30	D150x150xH133±1mm	FSM	1480	27W	55	30°
250069	Zett1 D35003/FSH/27W/80/A30	D150x150xH133±1mm	FSH	2170	27W	81	30°
250070	Zett1 D35003/BVF/27W/80/A45	D150x150xH133±1mm	BVF	2220	27W	83	45°
250071	Zett1 D35003/FBS/27W/80/A45	D150x150xH133±1mm	FBS	1515	27W	57	45°
250072	Zett1 D35003/FZM/27W/80/A45	D150x150xH133±1mm	FZM	1455	27W	54	45°
250073	Zett1 D35003/FSM/27W/80/A45	D150x150xH133±1mm	FSM	1480	27W	55	45°
250074	Zett1 D35003/FSH/27W/80/A45	D150x150xH133±1mm	FSH	2170	27W	81	45°
250075	Zett1 D35003/BVF/27W/80/A55	D150x150xH133±1mm	BVF	2220	27W	83	55°

Product Code	Dimensions (mm)	CCT (K)	Lumens (lm)	Power (W)	Eff. (lm/watt)	Lens Angle (°)
CRI 80						
250076 Zett1 D35003/FBS/27W/80/A55	D150x150xH133±1mm	FBS	1515	27W	57	55°
250077 Zett1 D35003/FZM/27W/80/A55	D150x150xH133±1mm	FZM	1455	27W	54	55°
250078 Zett1 D35003/FSM/27W/80/A55	D150x150xH133±1mm	FSM	1480	27W	55	55°
250079 Zett1 D35003/FSH/27W/80/A55	D150x150xH133±1mm	FSH	2170	27W	81	55°
250664 Zett2 D35004/BVF/28W/80/A20	D290x150xH133±1mm	BVF	2450	28W	88	20°
250665 Zett2 D35004/FBS/28W/80/A20	D290x150xH133±1mm	FBS	1660	28W	60	20°
250666 Zett2 D35004/FZM/28W/80/A20	D290x150xH133±1mm	FZM	1600	28W	58	20°
250667 Zett2 D35004/FSM/28W/80/A20	D290x150xH133±1mm	FSM	1660	28W	60	20°
250668 Zett2 D35004/FSH/28W/80/A20	D290x150xH133±1mm	FSH	2360	28W	85	20°
250669 Zett2 D35004/BVF/28W/80/A30	D290x150xH133±1mm	BVF	2450	28W	88	30°
250670 Zett2 D35004/FBS/28W/80/A30	D290x150xH133±1mm	FBS	1660	28W	60	30°
250671 Zett2 D35004/FZM/28W/80/A30	D290x150xH133±1mm	FZM	1600	28W	58	30°
250672 Zett2 D35004/FSM/28W/80/A30	D290x150xH133±1mm	FSM	1660	28W	60	30°
250673 Zett2 D35004/FSH/28W/80/A30	D290x150xH133±1mm	FSH	2360	28W	85	30°
250674 Zett2 D35004/BVF/28W/80/A45	D290x150xH133±1mm	BVF	2450	28W	88	45°
250675 Zett2 D35004/FBS/28W/80/A45	D290x150xH133±1mm	FBS	1660	28W	60	45°
250676 Zett2 D35004/FZM/28W/80/A45	D290x150xH133±1mm	FZM	1600	28W	58	45°
250677 Zett2 D35004/FSM/28W/80/A45	D290x150xH133±1mm	FSM	1660	28W	60	45°
250678 Zett2 D35004/FSH/28W/80/A45	D290x150xH133±1mm	FSH	2360	28W	85	45°
250679 Zett2 D35004/BVF/28W/80/A55	D290x150xH133±1mm	BVF	2450	28W	88	55°
250680 Zett2 D35004/FBS/28W/80/A55	D290x150xH133±1mm	FBS	1660	28W	60	55°
250681 Zett2 D35004/FZM/28W/80/A55	D290x150xH133±1mm	FZM	1600	28W	58	55°
250682 Zett2 D35004/FSM/28W/80/A55	D290x150xH133±1mm	FSM	1660	28W	60	55°
250683 Zett2 D35004/FSH/28W/80/A55	D290x150xH133±1mm	FSH	2360	28W	85	55°
250684 Zett2 D35004/BVF/40W/80/A20	D290x150xH133±1mm	BVF	3350	40W	84	20°
250685 Zett2 D35004/FBS/40W/80/A20	D290x150xH133±1mm	FBS	2310	40W	58	20°
250686 Zett2 D35004/FZM/40W/80/A20	D290x150xH133±1mm	FZM	2210	40W	56	20°
250687 Zett2 D35004/FSM/40W/80/A20	D290x150xH133±1mm	FSM	2260	40W	57	20°
250688 Zett2 D35004/FSH/40W/80/A20	D290x150xH133±1mm	FSH	3280	40W	82	20°
250689 Zett2 D35004/BVF/40W/80/A30	D290x150xH133±1mm	BVF	3350	40W	84	30°
250690 Zett2 D35004/FBS/40W/80/A30	D290x150xH133±1mm	FBS	2310	40W	58	30°
250691 Zett2 D35004/FZM/40W/80/A30	D290x150xH133±1mm	FZM	2210	40W	56	30°
250692 Zett2 D35004/FSM/40W/80/A30	D290x150xH133±1mm	FSM	2260	40W	57	30°
250693 Zett2 D35004/FSH/40W/80/A30	D290x150xH133±1mm	FSH	3280	40W	82	30°
250694 Zett2 D35004/BVF/40W/80/A45	D290x150xH133±1mm	BVF	3350	40W	84	45°
250695 Zett2 D35004/FBS/40W/80/A45	D290x150xH133±1mm	FBS	2310	40W	58	45°
250696 Zett2 D35004/FZM/40W/80/A45	D290x150xH133±1mm	FZM	2210	40W	56	45°
250697 Zett2 D35004/FSM/40W/80/A45	D290x150xH133±1mm	FSM	2260	40W	57	45°
250698 Zett2 D35004/FSH/40W/80/A45	D290x150xH133±1mm	FSH	3280	40W	82	45°
250699 Zett2 D35004/BVF/40W/80/A55	D290x150xH133±1mm	BVF	3350	40W	84	55°
250700 Zett2 D35004/FBS/40W/80/A55	D290x150xH133±1mm	FBS	2310	40W	58	55°
250701 Zett2 D35004/FZM/40W/80/A55	D290x150xH133±1mm	FZM	2210	40W	56	55°
250702 Zett2 D35004/FSM/40W/80/A55	D290x150xH133±1mm	FSM	2260	40W	57	55°
250703 Zett2 D35004/FSH/40W/80/A55	D290x150xH133±1mm	FSH	3280	40W	82	55°
250560 Zett2 D35004/BVF/54W/80/A20	D290x150xH133±1mm	BVF	4440	54W	83	20°
250561 Zett2 D35004/FBS/54W/80/A20	D290x150xH133±1mm	FBS	3030	54W	57	20°
250562 Zett2 D35004/FZM/54W/80/A20	D290x150xH133±1mm	FZM	2910	54W	54	20°
250563 Zett2 D35004/FSM/54W/80/A20	D290x150xH133±1mm	FSM	2960	54W	55	20°
250564 Zett2 D35004/FSH/54W/80/A20	D290x150xH133±1mm	FSH	4340	54W	81	20°
250565 Zett2 D35004/BVF/54W/80/A30	D290x150xH133±1mm	BVF	4440	54W	83	30°
250566 Zett2 D35004/FBS/54W/80/A30	D290x150xH133±1mm	FBS	3030	54W	57	30°

Product Code	Dimensions (mm)	CCT (K)	Lumens (lm)	Power (W)	Eff. (lm/watt)	Lens Angle (°)
CRI 80						
250567 Zett2 D35004/FZM/54W/80/A30	D290x150xH133±1mm	FZM	2910	54W	54	30°
250568 Zett2 D35004/FSM/54W/80/A30	D290x150xH133±1mm	FSM	2960	54W	55	30°
250569 Zett2 D35004/FSH/54W/80/A30	D290x150xH133±1mm	FSH	4340	54W	81	30°
250570 Zett2 D35004/BVF/54W/80/A45	D290x150xH133±1mm	BVF	4440	54W	83	45°
250571 Zett2 D35004/FBS/54W/80/A45	D290x150xH133±1mm	FBS	3030	54W	57	45°
250572 Zett2 D35004/FZM/54W/80/A45	D290x150xH133±1mm	FZM	2910	54W	54	45°
250573 Zett2 D35004/FSM/54W/80/A45	D290x150xH133±1mm	FSM	2960	54W	55	45°
250574 Zett2 D35004/FSH/54W/80/A45	D290x150xH133±1mm	FSH	4340	54W	81	45°
250575 Zett2 D35004/BVF/54W/80/A55	D290x150xH133±1mm	BVF	4440	54W	83	55°
250576 Zett2 D35004/FBS/54W/80/A55	D290x150xH133±1mm	FBS	3030	54W	57	55°
250577 Zett2 D35004/FZM/54W/80/A55	D290x150xH133±1mm	FZM	2910	54W	54	55°
250578 Zett2 D35004/FSM/54W/80/A55	D290x150xH133±1mm	FSM	2960	54W	55	55°
250579 Zett2 D35004/FSH/54W/80/A55	D290x150xH133±1mm	FSH	4340	54W	81	55°
250228 Zett1 D35003/AMB2200/14W/80/A20	D150x150xH133±1mm	AMB2200	1020	14W	73	20°
250229 Zett1 D35003/AMB2200/14W/80/A30	D150x150xH133±1mm	AMB2200	1020	14W	73	30°
250230 Zett1 D35003/AMB2200/14W/80/A45	D150x150xH133±1mm	AMB2200	1020	14W	73	45°
250231 Zett1 D35003/AMB2200/14W/80/A55	D150x150xH133±1mm	AMB2200	1020	14W	73	55°
250232 Zett1 D35003/AMB2200/20W/80/A20	D150x150xH133±1mm	AMB2200	1410	20W	71	20°
250233 Zett1 D35003/AMB2200/20W/80/A30	D150x150xH133±1mm	AMB2200	1410	20W	71	30°
250234 Zett1 D35003/AMB2200/20W/80/A45	D150x150xH133±1mm	AMB2200	1410	20W	71	45°
250235 Zett1 D35003/AMB2200/20W/80/A55	D150x150xH133±1mm	AMB2200	1410	20W	71	55°
250236 Zett1 D35003/AMB2200/27W/80/A20	D150x150xH133±1mm	AMB2200	1870	27W	70	20°
250237 Zett1 D35003/AMB2200/27W/80/A30	D150x150xH133±1mm	AMB2200	1870	27W	70	30°
250238 Zett1 D35003/AMB2200/27W/80/A45	D150x150xH133±1mm	AMB2200	1870	27W	70	45°
250238 Zett1 D35003/AMB2200/27W/80/A45	D150x150xH133±1mm	AMB2200	1870	27W	70	55°
250728 Zett2 D35004/AMB2200/28W/80/A20	D290x150xH133±1mm	AMB2200	2040	28W	73	20°
250729 Zett2 D35004/AMB2200/28W/80/A30	D290x150xH133±1mm	AMB2200	2040	28W	73	30°
250730 Zett2 D35004/AMB2200/28W/80/A45	D290x150xH133±1mm	AMB2200	2040	28W	73	45°
250731 Zett2 D35004/AMB2200/28W/80/A55	D290x150xH133±1mm	AMB2200	2040	28W	73	55°
250732 Zett2 D35004/AMB2200/40W/80/A20	D290x150xH133±1mm	AMB2200	2820	40W	71	20°
250733 Zett2 D35004/AMB2200/40W/80/A30	D290x150xH133±1mm	AMB2200	2820	40W	71	30°
250734 Zett2 D35004/AMB2200/40W/80/A45	D290x150xH133±1mm	AMB2200	2820	40W	71	45°
250735 Zett2 D35004/AMB2200/40W/80/A55	D290x150xH133±1mm	AMB2200	2820	40W	71	55°
250736 Zett2 D35004/AMB2200/54W/80/A20	D290x150xH133±1mm	AMB2200	3740	54W	70	20°
250737 Zett2 D35004/AMB2200/54W/80/A30	D290x150xH133±1mm	AMB2200	3740	54W	70	30°
250738 Zett2 D35004/AMB2200/54W/80/A45	D290x150xH133±1mm	AMB2200	3740	54W	70	45°
250739 Zett2 D35004/AMB2200/54W/80/A55	D290x150xH133±1mm	AMB2200	3740	54W	70	55°
CRI 90						
250920 Zett1 D35003/SUNSET/21W/90/A20	D150x150xH133±1mm	SUNSET	1350	21W	65	20°
250921 Zett1 D35003/SUNSET/21W/90/A30	D150x150xH133±1mm	SUNSET	1350	21W	65	30°
250922 Zett1 D35003/SUNSET/21W/90/A45	D150x150xH133±1mm	SUNSET	1350	21W	65	45°
250923 Zett1 D35003/SUNSET/21W/90/A55	D150x150xH133±1mm	SUNSET	1350	21W	65	55°
250924 Zett2 D35004/SUNSET/42W/90/A20	D290x150xH133±1mm	SUNSET	2700	42W	65	20°
250925 Zett2 D35004/SUNSET/42W/90/A30	D290x150xH133±1mm	SUNSET	2700	42W	65	30°
250926 Zett2 D35004/SUNSET/42W/90/A45	D290x150xH133±1mm	SUNSET	2700	42W	65	45°
250927 Zett2 D35004/SUNSET/42W/90/A55	D290x150xH133±1mm	SUNSET	2700	42W	65	55°
CRI 93						
250092 Zett1 D35003/AGI3000/17W/93/A20	D150x150xH133±1mm	AGI3000	985	17W	58	20°
250093 Zett1 D35003/AGI3500/17W/93/A20	D150x150xH133±1mm	AGI3500	1050	17W	62	20°

Product Code	Dimensions (mm)	CCT (K)	Lumens (lm)	Power (W)	Eff. (lm/watt)	Lens Angle (°)	
CRI 93							
250094	Zett1 D35003/AGI4000/17W/93/A20	D150x150xH133±1mm	AGI4000	1115	17W	66	20°
250095	Zett1 D35003/AGI3000/17W/93/A30	D150x150xH133±1mm	AGI3000	985	17W	58	30°
250096	Zett1 D35003/AGI3500/17W/93/A30	D150x150xH133±1mm	AGI3500	1050	17W	62	30°
250097	Zett1 D35003/AGI4000/17W/93/A30	D150x150xH133±1mm	AGI4000	1115	17W	66	30°
250098	Zett1 D35003/AGI3000/17W/93/A45	D150x150xH133±1mm	AGI3000	985	17W	58	45°
250099	Zett1 D35003/AGI3500/17W/93/A45	D150x150xH133±1mm	AGI3500	1050	17W	62	45°
250100	Zett1 D35003/AGI4000/17W/93/A45	D150x150xH133±1mm	AGI4000	1115	17W	66	45°
250101	Zett1 D35003/AGI3000/17W/93/A55	D150x150xH133±1mm	AGI3000	985	17W	58	55°
250102	Zett1 D35003/AGI3500/17W/93/A55	D150x150xH133±1mm	AGI3500	1050	17W	62	55°
250103	Zett1 D35003/AGI4000/17W/93/A55	D150x150xH133±1mm	AGI4000	1115	17W	66	55°
250104	Zett1 D35003/AGI3000/23W/93/A20	D150x150xH133±1mm	AGI3000	1330	23W	58	20°
250105	Zett1 D35003/AGI3500/23W/93/A20	D150x150xH133±1mm	AGI3500	1440	23W	63	20°
250106	Zett1 D35003/AGI4000/23W/93/A20	D150x150xH133±1mm	AGI4000	1550	23W	68	20°
250107	Zett1 D35003/AGI3000/23W/93/A30	D150x150xH133±1mm	AGI3000	1330	23W	58	30°
250108	Zett1 D35003/AGI3500/23W/93/A30	D150x150xH133±1mm	AGI3500	1440	23W	63	30°
250109	Zett1 D35003/AGI4000/23W/93/A30	D150x150xH133±1mm	AGI4000	1550	23W	68	30°
250110	Zett1 D35003/AGI3000/23W/93/A45	D150x150xH133±1mm	AGI3000	1330	23W	58	45°
250111	Zett1 D35003/AGI3500/23W/93/A45	D150x150xH133±1mm	AGI3500	1440	23W	63	45°
250112	Zett1 D35003/AGI4000/23W/93/A45	D150x150xH133±1mm	AGI4000	1550	23W	68	45°
250113	Zett1 D35003/AGI3000/23W/93/A55	D150x150xH133±1mm	AGI3000	1330	23W	58	55°
250114	Zett1 D35003/AGI3500/23W/93/A55	D150x150xH133±1mm	AGI3500	1440	23W	63	55°
250115	Zett1 D35003/AGI4000/23W/93/A55	D150x150xH133±1mm	AGI4000	1550	23W	68	55°
250116	Zett1 D35003/AGI3000/29W/93/A20	D150x150xH133±1mm	AGI3000	1680	29W	58	20°
250117	Zett1 D35003/AGI3500/29W/93/A20	D150x150xH133±1mm	AGI3500	1820	29W	63	20°
250118	Zett1 D35003/AGI4000/29W/93/A20	D150x150xH133±1mm	AGI4000	1960	29W	68	20°
250119	Zett1 D35003/AGI3000/29W/93/A30	D150x150xH133±1mm	AGI3000	1680	29W	58	30°
250120	Zett1 D35003/AGI3500/29W/93/A30	D150x150xH133±1mm	AGI3500	1820	29W	63	30°
250121	Zett1 D35003/AGI4000/29W/93/A30	D150x150xH133±1mm	AGI4000	1960	29W	68	30°
250122	Zett1 D35003/AGI3000/29W/93/A45	D150x150xH133±1mm	AGI3000	1680	29W	58	45°
250123	Zett1 D35003/AGI3500/29W/93/A45	D150x150xH133±1mm	AGI3500	1820	29W	63	45°
250124	Zett1 D35003/AGI4000/29W/93/A45	D150x150xH133±1mm	AGI4000	1960	29W	68	45°
250125	Zett1 D35003/AGI3000/29W/93/A55	D150x150xH133±1mm	AGI3000	1680	29W	58	55°
250126	Zett1 D35003/AGI3500/29W/93/A55	D150x150xH133±1mm	AGI3500	1820	29W	63	55°
250127	Zett1 D35003/AGI4000/29W/93/A55	D150x150xH133±1mm	AGI4000	1960	29W	68	55°
250592	Zett2 D35004/AGI3000/34W/93/A20	D290x150xH133±1mm	AGI3000	1970	34W	58	20°
250593	Zett2 D35004/AGI3500/34W/93/A20	D290x150xH133±1mm	AGI3500	2100	34W	62	20°
250594	Zett2 D35004/AGI4000/34W/93/A20	D290x150xH133±1mm	AGI4000	2230	34W	66	20°
250595	Zett2 D35004/AGI3000/34W/93/A30	D290x150xH133±1mm	AGI3000	1970	34W	58	30°
250596	Zett2 D35004/AGI3500/34W/93/A30	D290x150xH133±1mm	AGI3500	2100	34W	62	30°
250597	Zett2 D35004/AGI4000/34W/93/A30	D290x150xH133±1mm	AGI4000	2230	34W	66	30°
250598	Zett2 D35004/AGI3000/34W/93/A45	D290x150xH133±1mm	AGI3000	1970	34W	58	45°
250599	Zett2 D35004/AGI3500/34W/93/A45	D290x150xH133±1mm	AGI3500	2100	34W	62	45°
250600	Zett2 D35004/AGI4000/34W/93/A45	D290x150xH133±1mm	AGI4000	2230	34W	66	45°
250601	Zett2 D35004/AGI3000/34W/93/A55	D290x150xH133±1mm	AGI3000	1970	34W	58	55°
250602	Zett2 D35004/AGI3500/34W/93/A55	D290x150xH133±1mm	AGI3500	2100	34W	62	55°
250603	Zett2 D35004/AGI4000/34W/93/A55	D290x150xH133±1mm	AGI4000	2230	34W	66	55°
250604	Zett2 D35004/AGI3000/46W/93/A20	D290x150xH133±1mm	AGI3000	2660	46W	58	20°
250605	Zett2 D35004/AGI3500/46W/93/A20	D290x150xH133±1mm	AGI3500	2880	46W	63	20°
250606	Zett2 D35004/AGI4000/46W/93/A20	D290x150xH133±1mm	AGI4000	3100	46W	68	20°
250607	Zett2 D35004/AGI3000/46W/93/A30	D290x150xH133±1mm	AGI3000	2660	46W	58	30°
250608	Zett2 D35004/AGI3500/46W/93/A30	D290x150xH133±1mm	AGI3500	2880	46W	63	30°

Product Code	Dimensions (mm)	CCT (K)	Lumens (lm)	Power (W)	Eff. (lm/watt)	Lens Angle (°)
CRI 93						
250609 Zett2 D35004/AGI4000/46W/93/A30	D290x150xH133±1mm	AGI4000	3100	46W	68	30°
250610 Zett2 D35004/AGI3000/46W/93/A45	D290x150xH133±1mm	AGI3000	2660	46W	58	45°
250611 Zett2 D35004/AGI3500/46W/93/A45	D290x150xH133±1mm	AGI3500	2880	46W	63	45°
250612 Zett2 D35004/AGI4000/46W/93/A45	D290x150xH133±1mm	AGI4000	3100	46W	68	45°
250613 Zett2 D35004/AGI3000/46W/93/A55	D290x150xH133±1mm	AGI3000	2660	46W	58	55°
250614 Zett2 D35004/AGI3500/46W/93/A55	D290x150xH133±1mm	AGI3500	2880	46W	63	55°
250615 Zett2 D35004/AGI4000/46W/93/A55	D290x150xH133±1mm	AGI4000	3100	46W	68	55°
250616 Zett2 D35004/AGI3000/58W/93/A20	D290x150xH133±1mm	AGI3000	3360	58W	58	20°
250617 Zett2 D35004/AGI3500/58W/93/A20	D290x150xH133±1mm	AGI3500	3640	58W	63	20°
250618 Zett2 D35004/AGI4000/58W/93/A20	D290x150xH133±1mm	AGI4000	3920	58W	68	20°
250619 Zett2 D35004/AGI3000/58W/93/A30	D290x150xH133±1mm	AGI3000	3360	58W	58	30°
250620 Zett2 D35004/AGI3500/58W/93/A30	D290x150xH133±1mm	AGI3500	3640	58W	63	30°
250621 Zett2 D35004/AGI4000/58W/93/A30	D290x150xH133±1mm	AGI4000	3920	58W	68	30°
250622 Zett2 D35004/AGI3000/58W/93/A45	D290x150xH133±1mm	AGI3000	3360	58W	58	45°
250623 Zett2 D35004/AGI3500/58W/93/A45	D290x150xH133±1mm	AGI3500	3640	58W	63	45°
250624 Zett2 D35004/AGI4000/58W/93/A45	D290x150xH133±1mm	AGI4000	3920	58W	68	45°
250625 Zett2 D35004/AGI3000/58W/93/A55	D290x150xH133±1mm	AGI3000	3360	58W	58	55°
250626 Zett2 D35004/AGI3500/58W/93/A55	D290x150xH133±1mm	AGI3500	3640	58W	63	55°
250627 Zett2 D35004/AGI4000/58W/93/A55	D290x150xH133±1mm	AGI4000	3920	58W	68	55°

CRI 95						
250204 Zett1 D35003/FAS/14W/95/A20	D150x150xH133±1mm	FAS	1165	14W	84	20°
250205 Zett1 D35003/FAS/14W/95/A30	D150x150xH133±1mm	FAS	1165	14W	84	30°
250206 Zett1 D35003/FAS/14W/95/A45	D150x150xH133±1mm	FAS	1165	14W	84	45°
250207 Zett1 D35003/FAS/14W/95/A55	D150x150xH133±1mm	FAS	1165	14W	84	55°
250208 Zett1 D35003/FAS/20W/95/A20	D150x150xH133±1mm	FAS	1610	20W	81	20°
250209 Zett1 D35003/FAS/20W/95/A30	D150x150xH133±1mm	FAS	1610	20W	81	30°
250210 Zett1 D35003/FAS/20W/95/A45	D150x150xH133±1mm	FAS	1610	20W	81	45°
250211 Zett1 D35003/FAS/20W/95/A55	D150x150xH133±1mm	FAS	1610	20W	81	55°
250080 Zett1 D35003/FAS/27W/95/A20	D150x150xH133±1mm	FAS	2120	27W	79	20°
250081 Zett1 D35003/FAS/27W/95/A30	D150x150xH133±1mm	FAS	2120	27W	79	30°
250082 Zett1 D35003/FAS/27W/95/A45	D150x150xH133±1mm	FAS	2120	27W	79	45°
250083 Zett1 D35003/FAS/27W/95/A55	D150x150xH133±1mm	FAS	2120	27W	79	55°
250704 Zett2 D35004/FAS/28W/95/A20	D290x150xH133±1mm	FAS	2330	28W	84	20°
250705 Zett2 D35004/FAS/28W/95/A30	D290x150xH133±1mm	FAS	2330	28W	84	30°
250706 Zett2 D35004/FAS/28W/95/A45	D290x150xH133±1mm	FAS	2330	28W	84	45°
250707 Zett2 D35004/FAS/28W/95/A55	D290x150xH133±1mm	FAS	2330	28W	84	55°
250708 Zett2 D35004/FAS/40W/95/A20	D290x150xH133±1mm	FAS	3220	40W	81	20°
250709 Zett2 D35004/FAS/40W/95/A30	D290x150xH133±1mm	FAS	3220	40W	81	30°
250710 Zett2 D35004/FAS/40W/95/A45	D290x150xH133±1mm	FAS	3220	40W	81	45°
250711 Zett2 D35004/FAS/40W/95/A55	D290x150xH133±1mm	FAS	3220	40W	81	55°
250580 Zett2 D35004/FAS/54W/95/A20	D290x150xH133±1mm	FAS	4240	54W	79	20°
250581 Zett2 D35004/FAS/54W/95/A30	D290x150xH133±1mm	FAS	4240	54W	79	30°
250582 Zett2 D35004/FAS/54W/95/A45	D290x150xH133±1mm	FAS	4240	54W	79	45°
250583 Zett2 D35004/FAS/54W/95/A55	D290x150xH133±1mm	FAS	4240	54W	79	55°

CRI 98						
250216 Zett1 D35003/ART3000/14W/98/A20	D150x150xH133±1mm	ART3000	1160	14W	83	20°
250217 Zett1 D35003/ART3000/14W/98/A30	D150x150xH133±1mm	ART3000	1160	14W	83	30°
250218 Zett1 D35003/ART3000/14W/98/A45	D150x150xH133±1mm	ART3000	1160	14W	83	45°
250219 Zett1 D35003/ART3000/14W/98/A55	D150x150xH133±1mm	ART3000	1160	14W	83	55°

Product Code	Dimensions (mm)	CCT (K)	Lumens (lm)	Power (W)	Eff. (lm/watt)	Lens Angle (°)
CRI 98						
250224 Zett1 D35003/ART3000/20W/98/A20	D150x150xH133±1mm	ART3000	1600	20W	80	20°
250225 Zett1 D35003/ART3000/20W/98/A30	D150x150xH133±1mm	ART3000	1600	20W	80	30°
250226 Zett1 D35003/ART3000/20W/98/A45	D150x150xH133±1mm	ART3000	1600	20W	80	45°
250227 Zett1 D35003/ART3000/20W/98/A55	D150x150xH133±1mm	ART3000	1600	20W	80	55°
250088 Zett1 D35003/ART3000/27W/98/A20	D150x150xH133±1mm	ART3000	2095	27W	78	20°
250089 Zett1 D35003/ART3000/27W/98/A30	D150x150xH133±1mm	ART3000	2095	27W	78	30°
250090 Zett1 D35003/ART3000/27W/98/A45	D150x150xH133±1mm	ART3000	2095	27W	78	45°
250091 Zett1 D35003/ART3000/27W/98/A55	D150x150xH133±1mm	ART3000	2095	27W	78	55°
250716 Zett2 D35004/ART3000/28W/98/A20	D290x150xH133±1mm	ART3000	2320	28W	83	20°
250717 Zett2 D35004/ART3000/28W/98/A30	D290x150xH133±1mm	ART3000	2320	28W	83	30°
250718 Zett2 D35004/ART3000/28W/98/A45	D290x150xH133±1mm	ART3000	2320	28W	83	45°
250719 Zett2 D35004/ART3000/28W/98/A55	D290x150xH133±1mm	ART3000	2320	28W	83	55°
250724 Zett2 D35004/ART3000/40W/98/A20	D290x150xH133±1mm	ART3000	3200	40W	80	20°
250725 Zett2 D35004/ART3000/40W/98/A30	D290x150xH133±1mm	ART3000	3200	40W	80	30°
250726 Zett2 D35004/ART3000/40W/98/A45	D290x150xH133±1mm	ART3000	3200	40W	80	45°
250727 Zett2 D35004/ART3000/40W/98/A55	D290x150xH133±1mm	ART3000	3200	40W	80	55°
250588 Zett2 D35004/ART3000/54W/98/A20	D290x150xH133±1mm	ART3000	4190	54W	78	20°
250589 Zett2 D35004/ART3000/54W/98/A30	D290x150xH133±1mm	ART3000	4190	54W	78	30°
250590 Zett2 D35004/ART3000/54W/98/A45	D290x150xH133±1mm	ART3000	4190	54W	78	45°
250591 Zett2 D35004/ART3000/54W/98/A55	D290x150xH133±1mm	ART3000	4190	54W	78	55°