



Sage

RECESSED DIRECTIONAL SPOTLIGHTS | TEC SERIES

Our adjustable spotlight that creates brilliant accent lighting. Housing comes in two colors - jet black and signal white, for a perfect blending with different environments. Narrow-angle beams (15°, 24°, 36°) allow for very precise light direction. Can be equipped with FAS and AGI special colors for bright colored goods in fashion retail and food retail sectors.

Sage has particular technical specifications, determined by various add-on and controls:

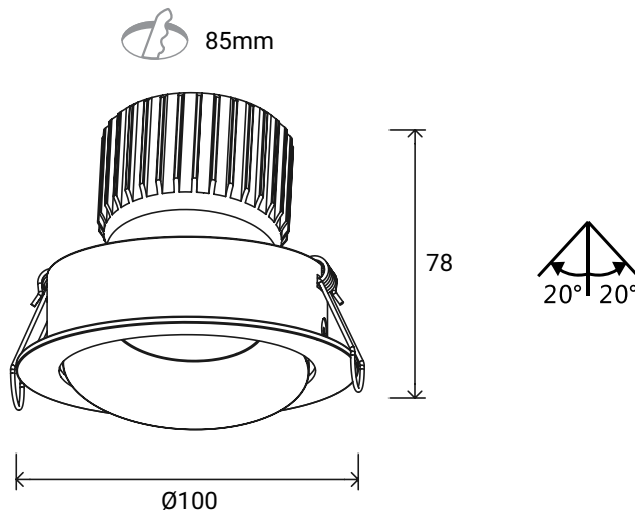
- Sage TEC – the standard for retail spaces
- Sage ECO-DALI – with DALI controls for illumination adjustments

APPLICATION

Grocery & supermarket | Retail | DIY

FEATURES & BENEFITS

- CRI 80 as standard, 93 and 95 available
- 8 color temperatures: 2700K, 3000K, 3500K, 4000K, FAS, AGI3000, AGI3500, AGI4000
- Long rated life: L90/B10@50.000h
- Luminaire efficiency: 94 lm/W @4000K
- Dimmable (for ECO Series)



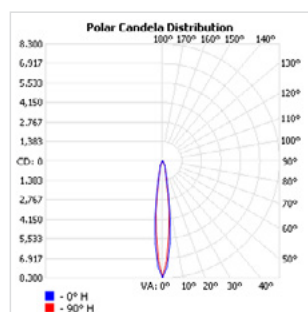
SPECIFICATIONS

Power consumption	6W, 8W, 10W, 12W
Dimensions	Ø100x78mm±1mm
Weight	0.4 Kg
Housing materials	Aluminium, polycarbonate
IK code	IK02
THD (at 230V, 50Hz, Full load)	<8%
Protection class	Safety class 1
Operating temperature [°C]	-20 ... +45 °C / -4F ... +113F
Operating humidity [%]	10 ÷ 85
Power factor	≥0.95
AC Input [Vac]	220 - 240 VAC
Lens angle [°]	15°, 24°, 36°
Lifespan [h]	50,000
Housing color	○ RAL 9003 - Signal White, ● RAL 9005 - Jet Black
Lumen maintenance	L90/B10@50,000h at 25°C
IP factor (general)	IP20
Control option	For more information please see SAGE ECO-DALI datasheet
Warranty [years]	5
Storage temperature range [°C]	-20 ... +55 °C / -4F ... +131F
Emergency option	-

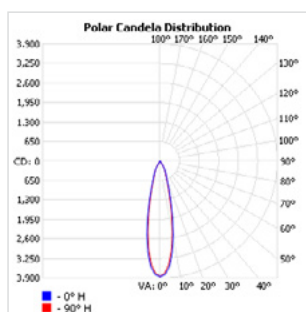
#	Standard	Food	Fashion	AGI	Enhanced	ART	AMB	SUNSET
CRI	CRI80	CRI80	CRI95	CRI93	CRI90 / CRI95	CRI98	CRI80	CRI90
CCT [K]	2700 / 3000 / 3500 / 4000	BVF / FBS / FZM / FSM / FSH	FAS	AGI 3000 / 3500 / 4000	2700 / 3000 / 3500 / 4000	3000	2200	1800...2700
MacAdam	3	3 / 4 / 4 / 3 / 3	3	3	2	2	3	3

CRI - Color rendering, CCT - Color temperature, MacAdam - Color consistency

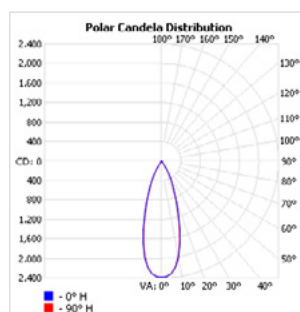
LIGHT DISTRIBUTION



15°



24°



36°

TOLERANCES

Luminous flux tolerances: -/+ 5%

Consumption tolerance: -/+ 5% for TEC | -/+ 10% for TEC & KIT EM | -/+ 10% for ECO-DALI | -/+ 15% for ECO-DALI & KIT EM

BATTERY WARRANTY

TEC EM & ECO EM: 12 months warranty

TEC & ECO: -

MAXIMUM NO. OF LUMINAIRES ON A CIRCUIT

Power	Driver type	Control type	Circuit Breaker Type						
			Amperage	B			C		
				20	16	10	20	16	10
12-14W	SR	TEC		62	50	31	104	85	52
17-20W	SR	TEC		62	50	31	104	85	52
23-27W	SR	TEC		24	20	10	47	40	20
29-35W	SR	TEC		24	20	10	47	40	20
42W	SR	TEC		20	16	8	38	32	16
12-14W	SR	ECO		62	50	31	104	85	52
23-27W	SR	ECO		25	21	13	50	42	26
34-42W	SR	ECO		17	14	9	34	28	18

RISK GROUP

Standard (CRI80) RG2 (dthr=0.8m)

FAS RG2 (dthr=0.8m)

AMB2200 RG1

AGI RG1

RG1

The evaluation of photobiological safety is carried out according to the standard IEC 62471:2008 ("Photobiological safety of lamps and lamp systems"). Following the definition of the risk grouping system of the mentioned IEC standard, the LEDs mounted on this family fall into the class "Low Risk (RG1 – No photobiological hazard under normal behavioral limitations)". Under real circumstances (regarding exposure time, pupils, observation distance), it is assumed that there is no endangerment to the eye from these devices. As a matter of principle, however, it should be mentioned that intense light sources have a high secondary exposure potential due to their blinding effect.

RG2

The evaluation of photobiological safety is carried out according to the standard IEC 62471:2008 ("Photobiological safety of lamps and lamp systems"). Following the definition of the risk grouping system of the mentioned IEC standard, the LEDs mounted on this family fall into the class "Moderate Risk (RG2)". Under real circumstances (regarding exposure time, pupils, observation distance), it is assumed that there is no endangerment to the eye from these devices. As a matter of principle, however, it should be mentioned that intense light sources have a high secondary exposure potential due to their blinding effect.

SKU SPECIFICATIONS

Product Code	Dimensions (mm)	CCT (K)	Lumens (lm)	Power (W)	Eff. (lm/watt)	Lens Angle (°)
CRI 80						
182000 Sage D33011/3000/8W/80/A15	Ø100x78±1mm	3000	715	8W	90	15°
182001 Sage D33011/4000/8W/80/A15	Ø100x78±1mm	4000	750	8W	94	15°
182002 Sage D33011/3000/8W/80/A24	Ø100x78±1mm	3000	715	8W	90	24°
182003 Sage D33011/4000/8W/80/A24	Ø100x78±1mm	4000	750	8W	94	24°
182004 Sage D33011/3000/8W/80/A36	Ø100x78±1mm	3000	715	8W	90	36°
182005 Sage D33011/4000/8W/80/A36	Ø100x78±1mm	4000	750	8W	94	36°
182006 Sage D33011/3000/10W/80/A15	Ø100x78±1mm	3000	890	10W	89	15°
182007 Sage D33011/4000/10W/80/A15	Ø100x78±1mm	4000	930	10W	93	15°
182008 Sage D33011/3000/10W/80/A24	Ø100x78±1mm	3000	890	10W	89	24°
182009 Sage D33011/4000/10W/80/A24	Ø100x78±1mm	4000	930	10W	93	24°
182010 Sage D33011/3000/10W/80/A36	Ø100x78±1mm	3000	890	10W	89	36°
182011 Sage D33011/4000/10W/80/A36	Ø100x78±1mm	4000	930	10W	93	36°
182012 Sage D33011/3000/12W/80/A15	Ø100x78±1mm	3000	1000	12W	84	15°
182013 Sage D33011/4000/12W/80/A15	Ø100x78±1mm	4000	1045	12W	88	15°
182014 Sage D33011/3000/12W/80/A24	Ø100x78±1mm	3000	1000	12W	84	24°
182015 Sage D33011/4000/12W/80/A24	Ø100x78±1mm	4000	1045	12W	88	24°
182016 Sage D33011/3000/12W/80/A36	Ø100x78±1mm	3000	1000	12W	84	36°
182017 Sage D33011/4000/12W/80/A36	Ø100x78±1mm	4000	1045	12W	88	36°
182054 Sage D33011/AMB2200/8W/80/A15	Ø100x78±1mm	AMB2200	575	8W	72	15°
182055 Sage D33011/AMB2200/8W/80/A24	Ø100x78±1mm	AMB2200	575	8W	72	24°
182056 Sage D33011/AMB2200/8W/80/A36	Ø100x78±1mm	AMB2200	575	8W	72	36°
182057 Sage D33011/AMB2200/10W/80/A15	Ø100x78±1mm	AMB2200	735	10W	74	15°
182058 Sage D33011/AMB2200/10W/80/A24	Ø100x78±1mm	AMB2200	735	10W	74	24°
182059 Sage D33011/AMB2200/10W/80/A36	Ø100x78±1mm	AMB2200	735	10W	74	36°
182060 Sage D33011/AMB2200/12W/80/A15	Ø100x78±1mm	AMB2200	835	12W	70	15°
182061 Sage D33011/AMB2200/12W/80/A24	Ø100x78±1mm	AMB2200	835	12W	70	24°
182062 Sage D33011/AMB2200/12W/80/A36	Ø100x78±1mm	AMB2200	835	12W	70	36°
CRI 93						
182027 Sage D33011/AGI3000/6W/93/A15	Ø100x78±1mm	AGI3000	390	6W	65	15°
182028 Sage D33011/AGI3500/6W/93/A15	Ø100x78±1mm	AGI3500	415	6W	70	15°
182029 Sage D33011/AGI4000/6W/93/A15	Ø100x78±1mm	AGI4000	440	6W	74	15°
182030 Sage D33011/AGI3000/6W/93/A24	Ø100x78±1mm	AGI3000	390	6W	65	24°
182031 Sage D33011/AGI3500/6W/93/A24	Ø100x78±1mm	AGI3500	415	6W	70	24°
182032 Sage D33011/AGI4000/6W/93/A24	Ø100x78±1mm	AGI4000	440	6W	74	24°
182033 Sage D33011/AGI3000/6W/93/A36	Ø100x78±1mm	AGI3000	390	6W	65	36°
182034 Sage D33011/AGI3500/6W/93/A36	Ø100x78±1mm	AGI3500	415	6W	70	36°
182035 Sage D33011/AGI4000/6W/93/A36	Ø100x78±1mm	AGI4000	440	6W	74	36°
182036 Sage D33011/AGI3000/8W/93/A15	Ø100x78±1mm	AGI3000	495	8W	62	15°
182037 Sage D33011/AGI3500/8W/93/A15	Ø100x78±1mm	AGI3500	530	8W	67	15°
182038 Sage D33011/AGI4000/8W/93/A15	Ø100x78±1mm	AGI4000	565	8W	71	15°
182039 Sage D33011/AGI3000/8W/93/A24	Ø100x78±1mm	AGI3000	495	8W	62	24°
182040 Sage D33011/AGI3500/8W/93/A24	Ø100x78±1mm	AGI3500	530	8W	67	24°
182041 Sage D33011/AGI4000/8W/93/A24	Ø100x78±1mm	AGI4000	565	8W	71	24°
182042 Sage D33011/AGI3000/8W/93/A36	Ø100x78±1mm	AGI3000	495	8W	62	36°
182043 Sage D33011/AGI3500/8W/93/A36	Ø100x78±1mm	AGI3500	530	8W	67	36°
182044 Sage D33011/AGI4000/8W/93/A36	Ø100x78±1mm	AGI4000	565	8W	71	36°
182045 Sage D33011/AGI3000/10W/93/A15	Ø100x78±1mm	AGI3000	570	10W	57	15°
182046 Sage D33011/AGI3500/10W/93/A15	Ø100x78±1mm	AGI3500	610	10W	61	15°
182047 Sage D33011/AGI4000/10W/93/A15	Ø100x78±1mm	AGI4000	650	10W	65	15°
182048 Sage D33011/AGI3000/10W/93/A24	Ø100x78±1mm	AGI3000	570	10W	57	24°
182049 Sage D33011/AGI3500/10W/93/A24	Ø100x78±1mm	AGI3500	610	10W	61	24°

SKU SPECIFICATIONS

Product Code	Dimensions (mm)	CCT (K)	Lumens (lm)	Power (W)	Eff. (lm/watt)	Lens Angle (°)
CRI 93						
182050 Sage D33011/AGI4000/10W/93/A24	Ø100x78±1mm	AGI4000	650	10W	65	24°
182051 Sage D33011/AGI3000/10W/93/A36	Ø100x78±1mm	AGI3000	570	10W	57	36°
182052 Sage D33011/AGI3500/10W/93/A36	Ø100x78±1mm	AGI3500	610	10W	61	36°
182053 Sage D33011/AGI4000/10W/93/A36	Ø100x78±1mm	AGI4000	650	10W	65	36°
CRI 95						
182018 Sage D33011/FAS/8W/95/A15	Ø100x78±1mm	FAS	530	8W	67	15°
182019 Sage D33011/FAS/8W/95/A24	Ø100x78±1mm	FAS	530	8W	67	24°
182020 Sage D33011/FAS/8W/95/A36	Ø100x78±1mm	FAS	530	8W	67	36°
182021 Sage D33011/FAS/10W/95/A15	Ø100x78±1mm	FAS	665	10W	67	15°
182022 Sage D33011/FAS/10W/95/A24	Ø100x78±1mm	FAS	665	10W	67	24°
182023 Sage D33011/FAS/10W/95/A36	Ø100x78±1mm	FAS	665	10W	67	36°
182024 Sage D33011/FAS/12W/95/A15	Ø100x78±1mm	FAS	755	12W	63	15°
182025 Sage D33011/FAS/12W/95/A24	Ø100x78±1mm	FAS	755	12W	63	24°
182026 Sage D33011/FAS/12W/95/A36	Ø100x78±1mm	FAS	755	12W	63	36°