



Linera

RECESSED DOWNLIGHTS & SPOTLIGHTS | TEC

Linera 5 is our recessed linear solution suitable for precise accent lighting. The 5 lenses with 3 beam angles (15°, 30°, 45°) are placed in a row on the luminaire's body for a focused light distribution, without punctiform effect. Linera 5 is specially designed for modern stores, showrooms, and art galleries that need to be free of a visible light source. Mounting is easy to perform, without tools, using torsion springs.

Linera 5 has particular technical specifications, determined by various add-on and controls:

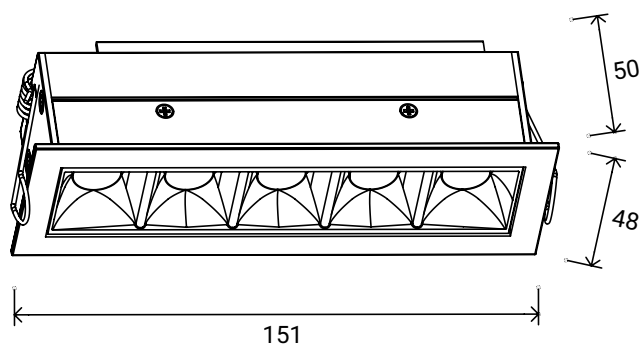
- Linera TEC – the standard for retail spaces
- Linera ECO-DALI – with DALI controls for illumination adjustments

APPLICATION

Grocery & supermarket | Retail | DIY

FEATURES & BENEFITS

- CRI 80 as standard, 90 and 95 available
- 4 color temperatures: 2400K, 2700K, 3000K, 4000K
- Long rated life: L90/B10@50.000h
- Luminaire efficiency: 72 lm/W @4000K
- Dimmable (for ECO-DALI Series)



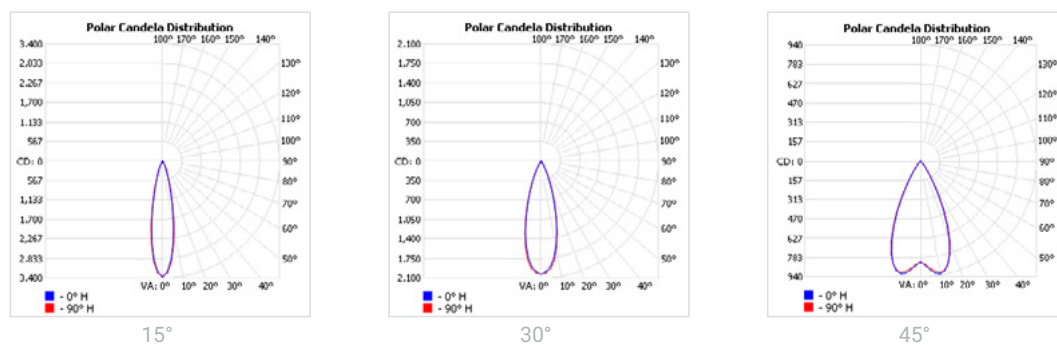
SPECIFICATIONS

Power consumption	7W, 10W, 13W
Dimensions	151x48x50mm±1mm
Weight	0.4 Kg
Housing materials	Aluminium, polycarbonate
IK code	IK02
THD (at 230V, 50Hz, Full load)	<20%
Protection class	Safety class 1
Operating temperature [°C]	-20 ... +45 °C / -4F ... +113F
Operating humidity [%]	10 ÷ 85
Power factor	≥0.95
AC Input [Vac]	220 - 240 VAC
Lens angle [°]	15°, 30°, 45°
Lifespan [h]	50,000
Housing color	○ RAL 9003 - Signal White, ● RAL 9005 - Jet Black
Lumen maintenance	L90/B10@50,000h at 25°C
IP factor (general)	IP20
Control option	For more information please see LINERA ECO-DALI datasheet
Warranty [years]	5
Storage temperature range [°C]	-20 ... +55 °C / -4F ... +131F
Emergency option	-

#	Standard	Food	Fashion	AGI	Enhanced	ART	AMB	SUNSET
CRI	CRI80	CRI80	CRI95	CRI93	CRI90 / CRI95	CRI98	CRI80	CRI90
CCT [K]	2400 / 2700 / 3000 / 4000	BVF / FBS / FZM / FSM / FSH	FAS	AGI 3000 / 3500 / 4000	2700 / 3000 / 3500 / 4000	3000	2200	1800...2700
MacAdam	3	3 / 4 / 4 / 3 / 3	3	3	2	2	3	3

CRI - Color rendering, CCT - Color temperature, MacAdam - Color consistency

LIGHT DISTRIBUTION



TOLERANCES

Luminous flux tolerances: -/+ 5%

Consumption tolerance: -/+ 5% for TEC | -/+ 10% for TEC & KIT EM | -/+ 10% for ECO-DALI | -/+ 15% for ECO-DALI & KIT EM

BATTERY WARRANTY

TEC EM & ECO EM: 12 months warranty

TEC & ECO: -

MAXIMUM NO. OF LUMINAIRES ON A CIRCUIT

Power	Driver type	Control type	Circuit Breaker Type						
			Amperage	B			C		
				20	16	10	20	16	10
12-14W	SR	TEC		62	50	31	104	85	52
17-20W	SR	TEC		62	50	31	104	85	52
23-27W	SR	TEC		24	20	10	47	40	20
29-35W	SR	TEC		24	20	10	47	40	20
42W	SR	TEC		20	16	8	38	32	16
12-14W	SR	ECO		62	50	31	104	85	52
23-27W	SR	ECO		25	21	13	50	42	26
34-42W	SR	ECO		17	14	9	34	28	18

RISK GROUP

Standard (CRI80) RG1

FOOD (BVF, FBS, FSM) RG1

FOOD <20W (FZM, FSH) RG2 (dthr=1.8m)

FOOD >20W (FZM, FSH) RG2 (dthr=2.2m)

FAS RG1

AMB2200 RG1

ART RG1

AGI RG1

CRI95 RG1

SUNSET RG1

RG1

The evaluation of photobiological safety is carried out according to the standard IEC 62471:2008 ("Photobiological safety of lamps and lamp systems"). Following the definition of the risk grouping system of the mentioned IEC standard, the LEDs mounted on this family fall into the class "Low Risk (RG1 – No photobiological hazard under normal behavioral limitations)". Under real circumstances (regarding exposure time, pupils, observation distance), it is assumed that there is no endangerment to the eye from these devices. As a matter of principle, however, it should be mentioned that intense light sources have a high secondary exposure potential due to their blinding effect.

RG2

The evaluation of photobiological safety is carried out according to the standard IEC 62471:2008 ("Photobiological safety of lamps and lamp systems"). Following the definition of the risk grouping system of the mentioned IEC standard, the LEDs mounted on this family fall into the class "Moderate Risk (RG2)". Under real circumstances (regarding exposure time, pupils, observation distance), it is assumed that there is no endangerment to the eye from these devices. As a matter of principle, however, it should be mentioned that intense light sources have a high secondary exposure potential due to their blinding effect.

SKU SPECIFICATIONS

Product Code	Dimensions (mm)	CCT (K)	Lumens (lm)	Power (W)	Eff. (lm/watt)	Lens Angle (°)
CRI 80						
188000 Linera5 D35005/2400/7W/80/A15	151 x 48 x 50 ± 1mm	2400	455	7W	65	15°
188001 Linera5 D35005/2700/7W/80/A15	151 x 48 x 50 ± 1mm	2700	455	7W	65	15°
188002 Linera5 D35005/3000/7W/80/A15	151 x 48 x 50 ± 1mm	3000	465	7W	67	15°
188003 Linera5 D35005/4000/7W/80/A15	151 x 48 x 50 ± 1mm	4000	500	7W	72	15°
188004 Linera5 D35005/2400/7W/80/A30	151 x 48 x 50 ± 1mm	2400	455	7W	65	30°
188005 Linera5 D35005/2700/7W/80/A30	151 x 48 x 50 ± 1mm	2700	455	7W	65	30°
188006 Linera5 D35005/3000/7W/80/A30	151 x 48 x 50 ± 1mm	3000	465	7W	67	30°
188007 Linera5 D35005/4000/7W/80/A30	151 x 48 x 50 ± 1mm	4000	500	7W	72	30°
188008 Linera5 D35005/2400/7W/80/A45	151 x 48 x 50 ± 1mm	2400	455	7W	65	45°
188009 Linera5 D35005/2700/7W/80/A45	151 x 48 x 50 ± 1mm	2700	455	7W	65	45°
188010 Linera5 D35005/3000/7W/80/A45	151 x 48 x 50 ± 1mm	3000	465	7W	67	45°
188011 Linera5 D35005/4000/7W/80/A45	151 x 48 x 50 ± 1mm	4000	500	7W	72	45°
188012 Linera5 D35005/2400/10W/80/A15	151 x 48 x 50 ± 1mm	2400	610	10W	61	15°
188013 Linera5 D35005/2700/10W/80/A15	151 x 48 x 50 ± 1mm	2700	620	10W	62	15°
188014 Linera5 D35005/3000/10W/80/A15	151 x 48 x 50 ± 1mm	3000	630	10W	63	15°
188015 Linera5 D35005/4000/10W/80/A15	151 x 48 x 50 ± 1mm	4000	680	10W	68	15°
188016 Linera5 D35005/2400/10W/80/A30	151 x 48 x 50 ± 1mm	2400	610	10W	61	30°
188017 Linera5 D35005/2700/10W/80/A30	151 x 48 x 50 ± 1mm	2700	620	10W	62	30°
188018 Linera5 D35005/3000/10W/80/A30	151 x 48 x 50 ± 1mm	3000	630	10W	63	30°
188019 Linera5 D35005/4000/10W/80/A30	151 x 48 x 50 ± 1mm	4000	680	10W	68	30°
188020 Linera5 D35005/2400/10W/80/A45	151 x 48 x 50 ± 1mm	2400	610	10W	61	45°
188021 Linera5 D35005/2700/10W/80/A45	151 x 48 x 50 ± 1mm	2700	620	10W	62	45°
188022 Linera5 D35005/3000/10W/80/A45	151 x 48 x 50 ± 1mm	3000	630	10W	63	45°
188023 Linera5 D35005/4000/10W/80/A45	151 x 48 x 50 ± 1mm	4000	680	10W	68	45°
188024 Linera5 D35005/2400/13W/80/A15	151 x 48 x 50 ± 1mm	2400	790	13W	61	15°
188025 Linera5 D35005/2700/13W/80/A15	151 x 48 x 50 ± 1mm	2700	805	13W	62	15°
188026 Linera5 D35005/3000/13W/80/A15	151 x 48 x 50 ± 1mm	3000	825	13W	64	15°
188027 Linera5 D35005/4000/13W/80/A15	151 x 48 x 50 ± 1mm	4000	895	13W	69	15°
188028 Linera5 D35005/2400/13W/80/A30	151 x 48 x 50 ± 1mm	2400	790	13W	61	30°
188029 Linera5 D35005/2700/13W/80/A30	151 x 48 x 50 ± 1mm	2700	805	13W	62	30°
188030 Linera5 D35005/3000/13W/80/A30	151 x 48 x 50 ± 1mm	3000	825	13W	64	30°
188031 Linera5 D35005/4000/13W/80/A30	151 x 48 x 50 ± 1mm	4000	895	13W	69	30°
188032 Linera5 D35005/2400/13W/80/A45	151 x 48 x 50 ± 1mm	2400	790	13W	61	45°
188033 Linera5 D35005/2700/13W/80/A45	151 x 48 x 50 ± 1mm	2700	805	13W	62	45°
188034 Linera5 D35005/3000/13W/80/A45	151 x 48 x 50 ± 1mm	3000	825	13W	64	45°
188035 Linera5 D35005/4000/13W/80/A45	151 x 48 x 50 ± 1mm	4000	895	13W	69	45°

CRI 90						
188036 Linera5 D35005/2700/7W/90/A15	151 x 48 x 50 ± 1mm	2700	385	7W	55	15°
188037 Linera5 D35005/3000/7W/90/A15	151 x 48 x 50 ± 1mm	3000	410	7W	59	15°
188038 Linera5 D35005/4000/7W/90/A15	151 x 48 x 50 ± 1mm	4000	440	7W	63	15°
188039 Linera5 D35005/2700/7W/90/A30	151 x 48 x 50 ± 1mm	2700	385	7W	55	30°
188040 Linera5 D35005/3000/7W/90/A30	151 x 48 x 50 ± 1mm	3000	410	7W	59	30°
188041 Linera5 D35005/4000/7W/90/A30	151 x 48 x 50 ± 1mm	4000	440	7W	63	30°
188042 Linera5 D35005/2700/7W/90/A45	151 x 48 x 50 ± 1mm	2700	385	7W	55	45°
188043 Linera5 D35005/3000/7W/90/A45	151 x 48 x 50 ± 1mm	3000	410	7W	59	45°
188044 Linera5 D35005/4000/7W/90/A45	151 x 48 x 50 ± 1mm	4000	440	7W	63	45°
188045 Linera5 D35005/2700/10W/90/A15	151 x 48 x 50 ± 1mm	2700	520	10W	52	15°
188046 Linera5 D35005/3000/10W/90/A15	151 x 48 x 50 ± 1mm	3000	560	10W	56	15°
188047 Linera5 D35005/4000/10W/90/A15	151 x 48 x 50 ± 1mm	4000	595	10W	60	15°
188048 Linera5 D35005/2700/10W/90/A30	151 x 48 x 50 ± 1mm	2700	520	10W	52	30°
188049 Linera5 D35005/3000/10W/90/A30	151 x 48 x 50 ± 1mm	3000	560	10W	56	30°

SKU SPECIFICATIONS

Product Code	Dimensions (mm)	CCT (K)	Lumens (lm)	Power (W)	Eff. (lm/watt)	Lens Angle (°)
CRI 90						
188050 Linera5 D35005/4000/10W/90/A30	151 x 48 x 50 ± 1mm	4000	595	10W	60	30°
188051 Linera5 D35005/2700/10W/90/A45	151 x 48 x 50 ± 1mm	2700	520	10W	52	45°
188052 Linera5 D35005/3000/10W/90/A45	151 x 48 x 50 ± 1mm	3000	560	10W	56	45°
188053 Linera5 D35005/4000/10W/90/A45	151 x 48 x 50 ± 1mm	4000	595	10W	60	45°
188054 Linera5 D35005/2700/13W/90/A15	151 x 48 x 50 ± 1mm	2700	675	13W	52	15°
188055 Linera5 D35005/3000/13W/90/A15	151 x 48 x 50 ± 1mm	3000	725	13W	56	15°
188056 Linera5 D35005/4000/13W/90/A15	151 x 48 x 50 ± 1mm	4000	775	13W	60	15°
188057 Linera5 D35005/2700/13W/90/A30	151 x 48 x 50 ± 1mm	2700	675	13W	52	30°
188058 Linera5 D35005/3000/13W/90/A30	151 x 48 x 50 ± 1mm	3000	725	13W	56	30°
188059 Linera5 D35005/4000/13W/90/A30	151 x 48 x 50 ± 1mm	4000	775	13W	60	30°
188060 Linera5 D35005/2700/13W/90/A45	151 x 48 x 50 ± 1mm	2700	675	13W	52	45°
188061 Linera5 D35005/3000/13W/90/A45	151 x 48 x 50 ± 1mm	3000	725	13W	56	45°
188062 Linera5 D35005/4000/13W/90/A45	151 x 48 x 50 ± 1mm	4000	775	13W	60	45°
CRI 95						
188063 Linera5 D35005/2700/7W/95/A15	151 x 48 x 50 ± 1mm	2700	320	7W	46	15°
188064 Linera5 D35005/3000/7W/95/A15	151 x 48 x 50 ± 1mm	3000	345	7W	50	15°
188065 Linera5 D35005/3500/7W/95/A15	151 x 48 x 50 ± 1mm	3500	355	7W	51	15°
188066 Linera5 D35005/4000/7W/95/A15	151 x 48 x 50 ± 1mm	4000	385	7W	55	15°
188067 Linera5 D35005/2700/7W/95/A30	151 x 48 x 50 ± 1mm	2700	320	7W	46	30°
188068 Linera5 D35005/3000/7W/95/A30	151 x 48 x 50 ± 1mm	3000	345	7W	50	30°
188069 Linera5 D35005/3500/7W/95/A30	151 x 48 x 50 ± 1mm	3500	355	7W	51	30°
188070 Linera5 D35005/4000/7W/95/A30	151 x 48 x 50 ± 1mm	4000	385	7W	55	30°
188071 Linera5 D35005/2700/7W/95/A45	151 x 48 x 50 ± 1mm	2700	320	7W	46	45°
188072 Linera5 D35005/3000/7W/95/A45	151 x 48 x 50 ± 1mm	3000	345	7W	50	45°
188073 Linera5 D35005/3500/7W/95/A45	151 x 48 x 50 ± 1mm	3500	355	7W	51	45°
188074 Linera5 D35005/4000/7W/95/A45	151 x 48 x 50 ± 1mm	4000	385	7W	55	45°
188075 Linera5 D35005/2700/10W/95/A15	151 x 48 x 50 ± 1mm	2700	430	10W	43	15°
188076 Linera5 D35005/3000/10W/95/A15	151 x 48 x 50 ± 1mm	3000	465	10W	47	15°
188077 Linera5 D35005/3500/10W/95/A15	151 x 48 x 50 ± 1mm	3500	475	10W	48	15°
188078 Linera5 D35005/4000/10W/95/A15	151 x 48 x 50 ± 1mm	4000	525	10W	53	15°
188079 Linera5 D35005/2700/10W/95/A30	151 x 48 x 50 ± 1mm	2700	430	10W	43	30°
188080 Linera5 D35005/3000/10W/95/A30	151 x 48 x 50 ± 1mm	3000	465	10W	47	30°
188081 Linera5 D35005/3500/10W/95/A30	151 x 48 x 50 ± 1mm	3500	475	10W	48	30°
188082 Linera5 D35005/4000/10W/95/A30	151 x 48 x 50 ± 1mm	4000	525	10W	53	30°
188083 Linera5 D35005/2700/10W/95/A45	151 x 48 x 50 ± 1mm	2700	430	10W	43	45°
188084 Linera5 D35005/3000/10W/95/A45	151 x 48 x 50 ± 1mm	3000	465	10W	47	45°
188085 Linera5 D35005/3500/10W/95/A45	151 x 48 x 50 ± 1mm	3500	475	10W	48	45°
188086 Linera5 D35005/4000/10W/95/A45	151 x 48 x 50 ± 1mm	4000	525	10W	53	45°
188087 Linera5 D35005/2700/13W/95/A15	151 x 48 x 50 ± 1mm	2700	560	13W	44	15°
188088 Linera5 D35005/3000/13W/95/A15	151 x 48 x 50 ± 1mm	3000	605	13W	47	15°
188089 Linera5 D35005/3500/13W/95/A15	151 x 48 x 50 ± 1mm	3500	620	13W	48	15°
188090 Linera5 D35005/4000/13W/95/A15	151 x 48 x 50 ± 1mm	4000	680	13W	53	15°
188091 Linera5 D35005/2700/13W/95/A30	151 x 48 x 50 ± 1mm	2700	560	13W	44	30°
188092 Linera5 D35005/3000/13W/95/A30	151 x 48 x 50 ± 1mm	3000	605	13W	47	30°
188093 Linera5 D35005/3500/13W/95/A30	151 x 48 x 50 ± 1mm	3500	620	13W	48	30°
188094 Linera5 D35005/4000/13W/95/A30	151 x 48 x 50 ± 1mm	4000	680	13W	53	30°
188095 Linera5 D35005/2700/13W/95/A45	151 x 48 x 50 ± 1mm	2700	560	13W	44	45°
188096 Linera5 D35005/3000/13W/95/A45	151 x 48 x 50 ± 1mm	3000	605	13W	47	45°
188097 Linera5 D35005/3500/13W/95/A45	151 x 48 x 50 ± 1mm	3500	620	13W	48	45°
188098 Linera5 D35005/4000/13W/95/A45	151 x 48 x 50 ± 1mm	4000	680	13W	53	45°

Technical specifications can be modified without prior notice. All information is property of Greentek Lighting.
 The presentation picture is for information purposes only. Latest document update: October 11, 2017 2:33 PM. www.greentek.eu