



Linera

RECESSED DOWNLIGHTS & SPOTLIGHTS | **ECO**

Linera 5 is our recessed linear solution suitable for precise accent lighting. The 5 lenses with 3 beam angles (15°, 30°, 45°) are placed in a row on the luminaire's body for a focused light distribution, without punctiform effect. Linera 5 is specially designed for modern stores, showrooms, and art galleries that need to be free of a visible light source. Mounting is easy to perform, without tools, using torsion springs.

Linera 5 has particular technical specifications, determined by various add-on and controls:

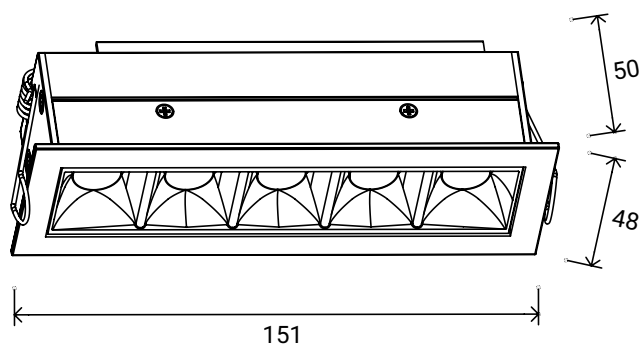
- Linera TEC – the standard for retail spaces
- **Linera ECO-DALI – with DALI controls for illumination adjustments**

APPLICATION

Grocery & supermarket | Retail | DIY

FEATURES & BENEFITS

- CRI 80 as standard, 90 and 95 available
- 4 color temperatures: 2400K, 2700K, 3000K, 4000K
- Long rated life: L90/B10@50.000h
- Luminaire efficiency: 72 lm/W @4000K
- Dimmable



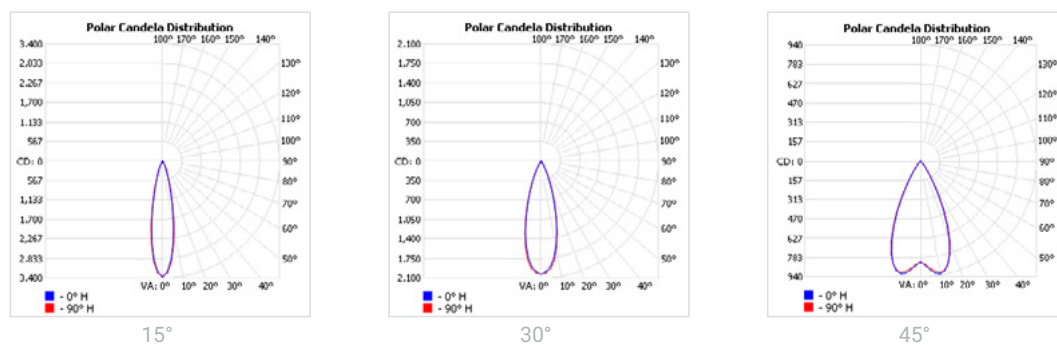
SPECIFICATIONS

Power consumption	7W, 10W
Dimensions	151x48x50mm±1mm
Weight	0.4 Kg
Housing materials	Aluminium, polycarbonate
IK code	IK02
THD (at 230V, 50Hz, Full load)	<20%
Protection class	Safety class 1
Operating temperature [°C]	-20 ... +45 °C / -4F ... +113F
Operating humidity [%]	10 ÷ 85
Power factor	≥0.95
AC Input [Vac]	220 - 240 VAC
Lens angle [°]	15°, 30°, 45°
Lifespan [h]	50,000
Housing color	○ RAL 9003 - Signal White, ● RAL 9005 - Jet Black
Lumen maintenance	L90/B10@50,000h at 25°C
IP factor (general)	IP20
Control option	ECO-DALI
Warranty [years]	5
Storage temperature range [°C]	-20 ... +55 °C / -4F ... +131F
Emergency option	-

#	Standard	Food	Fashion	AGI	Enhanced	ART	AMB	SUNSET
CRI	CRI80	CRI80	CRI95	CRI93	CRI90 / CRI95	CRI98	CRI80	CRI90
CCT [K]	2400 / 2700 / 3000 / 4000	BVF / FBS / FZM / FSM / FSH	FAS	AGI 3000 / 3500 / 4000	2700 / 3000 / 3500 / 4000	3000	2200	1800...2700
MacAdam	3	3 / 4 / 4 / 3 / 3	3	3	2	2	3	3

CRI - Color rendering, CCT - Color temperature, MacAdam - Color consistency

LIGHT DISTRIBUTION



TOLERANCES

Luminous flux tolerances: -/+ 5%

Consumption tolerance: -/+ 5% for TEC | -/+ 10% for TEC & KIT EM | -/+ 10% for ECO-DALI | -/+ 15% for ECO-DALI & KIT EM

BATTERY WARRANTY

TEC EM & ECO EM: 12 months warranty

TEC & ECO: -

MAXIMUM NO. OF LUMINAIRES ON A CIRCUIT

Power	Driver type	Control type	Circuit Breaker Type						
			Amperage	B			C		
				20	16	10	20	16	10
12-14W	SR	TEC		62	50	31	104	85	52
17-20W	SR	TEC		62	50	31	104	85	52
23-27W	SR	TEC		24	20	10	47	40	20
29-35W	SR	TEC		24	20	10	47	40	20
42W	SR	TEC		20	16	8	38	32	16
12-14W	SR	ECO		62	50	31	104	85	52
23-27W	SR	ECO		25	21	13	50	42	26
34-42W	SR	ECO		17	14	9	34	28	18

RISK GROUP

Standard (CRI80) RG1

FOOD (BVF, FBS, FSM) RG1

FOOD <20W (FZM, FSH) RG2 (dthr=1.8m)

FOOD >20W (FZM, FSH) RG2 (dthr=2.2m)

FAS RG1

AMB2200 RG1

ART RG1

AGI RG1

CRI95 RG1

SUNSET RG1

RG1

The evaluation of photobiological safety is carried out according to the standard IEC 62471:2008 ("Photobiological safety of lamps and lamp systems"). Following the definition of the risk grouping system of the mentioned IEC standard, the LEDs mounted on this family fall into the class "Low Risk (RG1 – No photobiological hazard under normal behavioral limitations)". Under real circumstances (regarding exposure time, pupils, observation distance), it is assumed that there is no endangerment to the eye from these devices. As a matter of principle, however, it should be mentioned that intense light sources have a high secondary exposure potential due to their blinding effect.

RG2

The evaluation of photobiological safety is carried out according to the standard IEC 62471:2008 ("Photobiological safety of lamps and lamp systems"). Following the definition of the risk grouping system of the mentioned IEC standard, the LEDs mounted on this family fall into the class "Moderate Risk (RG2)". Under real circumstances (regarding exposure time, pupils, observation distance), it is assumed that there is no endangerment to the eye from these devices. As a matter of principle, however, it should be mentioned that intense light sources have a high secondary exposure potential due to their blinding effect.

SKU SPECIFICATIONS

Product Code	Dimensions (mm)	CCT (K)	Lumens (lm)	Power (W)	Eff. (lm/watt)	Lens Angle (°)
CRI 80						
288000 Linera5 D35005/2400/7W/80/A15	151 x 48 x 50 ± 1mm	2400	455	7W	65	15°
288001 Linera5 D35005/2700/7W/80/A15	151 x 48 x 50 ± 1mm	2700	455	7W	65	15°
288002 Linera5 D35005/3000/7W/80/A15	151 x 48 x 50 ± 1mm	3000	465	7W	67	15°
288003 Linera5 D35005/4000/7W/80/A15	151 x 48 x 50 ± 1mm	4000	500	7W	72	15°
288004 Linera5 D35005/2400/7W/80/A30	151 x 48 x 50 ± 1mm	2400	455	7W	65	30°
288005 Linera5 D35005/2700/7W/80/A30	151 x 48 x 50 ± 1mm	2700	455	7W	65	30°
288006 Linera5 D35005/3000/7W/80/A30	151 x 48 x 50 ± 1mm	3000	465	7W	67	30°
288007 Linera5 D35005/4000/7W/80/A30	151 x 48 x 50 ± 1mm	4000	500	7W	72	30°
288008 Linera5 D35005/2400/7W/80/A45	151 x 48 x 50 ± 1mm	2400	455	7W	65	45°
288009 Linera5 D35005/2700/7W/80/A45	151 x 48 x 50 ± 1mm	2700	455	7W	65	45°
288010 Linera5 D35005/3000/7W/80/A45	151 x 48 x 50 ± 1mm	3000	465	7W	67	45°
288011 Linera5 D35005/4000/7W/80/A45	151 x 48 x 50 ± 1mm	4000	500	7W	72	45°
288012 Linera5 D35005/2400/10W/80/A15	151 x 48 x 50 ± 1mm	2400	610	10W	61	15°
288013 Linera5 D35005/2700/10W/80/A15	151 x 48 x 50 ± 1mm	2700	620	10W	62	15°
288014 Linera5 D35005/3000/10W/80/A15	151 x 48 x 50 ± 1mm	3000	630	10W	63	15°
288015 Linera5 D35005/4000/10W/80/A15	151 x 48 x 50 ± 1mm	4000	680	10W	68	15°
288016 Linera5 D35005/2400/10W/80/A30	151 x 48 x 50 ± 1mm	2400	610	10W	61	30°
288017 Linera5 D35005/2700/10W/80/A30	151 x 48 x 50 ± 1mm	2700	620	10W	62	30°
288018 Linera5 D35005/3000/10W/80/A30	151 x 48 x 50 ± 1mm	3000	630	10W	63	30°
288019 Linera5 D35005/4000/10W/80/A30	151 x 48 x 50 ± 1mm	4000	680	10W	68	30°
288020 Linera5 D35005/2400/10W/80/A45	151 x 48 x 50 ± 1mm	2400	610	10W	61	45°
288021 Linera5 D35005/2700/10W/80/A45	151 x 48 x 50 ± 1mm	2700	620	10W	62	45°
288022 Linera5 D35005/3000/10W/80/A45	151 x 48 x 50 ± 1mm	3000	630	10W	63	45°
288023 Linera5 D35005/4000/10W/80/A45	151 x 48 x 50 ± 1mm	4000	680	10W	68	45°
CRI 90						
288036 Linera5 D35005/2700/7W/90/A15	151 x 48 x 50 ± 1mm	2700	385	7W	55	15°
288037 Linera5 D35005/3000/7W/90/A15	151 x 48 x 50 ± 1mm	3000	410	7W	59	15°
288038 Linera5 D35005/4000/7W/90/A15	151 x 48 x 50 ± 1mm	4000	440	7W	63	15°
288039 Linera5 D35005/2700/7W/90/A30	151 x 48 x 50 ± 1mm	2700	385	7W	55	30°
288040 Linera5 D35005/3000/7W/90/A30	151 x 48 x 50 ± 1mm	3000	410	7W	59	30°
288041 Linera5 D35005/4000/7W/90/A30	151 x 48 x 50 ± 1mm	4000	440	7W	63	30°
288042 Linera5 D35005/2700/7W/90/A45	151 x 48 x 50 ± 1mm	2700	385	7W	55	45°
288043 Linera5 D35005/3000/7W/90/A45	151 x 48 x 50 ± 1mm	3000	410	7W	59	45°
288044 Linera5 D35005/4000/7W/90/A45	151 x 48 x 50 ± 1mm	4000	440	7W	63	45°
288045 Linera5 D35005/2700/10W/90/A15	151 x 48 x 50 ± 1mm	2700	520	10W	52	15°
288046 Linera5 D35005/3000/10W/90/A15	151 x 48 x 50 ± 1mm	3000	560	10W	56	15°
288047 Linera5 D35005/4000/10W/90/A15	151 x 48 x 50 ± 1mm	4000	595	10W	60	15°
288048 Linera5 D35005/2700/10W/90/A30	151 x 48 x 50 ± 1mm	2700	520	10W	52	30°
288049 Linera5 D35005/3000/10W/90/A30	151 x 48 x 50 ± 1mm	3000	560	10W	56	30°
288050 Linera5 D35005/4000/10W/90/A30	151 x 48 x 50 ± 1mm	4000	595	10W	60	30°
288051 Linera5 D35005/2700/10W/90/A45	151 x 48 x 50 ± 1mm	2700	520	10W	52	45°
288052 Linera5 D35005/3000/10W/90/A45	151 x 48 x 50 ± 1mm	3000	560	10W	56	45°
288053 Linera5 D35005/4000/10W/90/A45	151 x 48 x 50 ± 1mm	4000	595	10W	60	45°
CRI 95						
288063 Linera5 D35005/2700/7W/95/A15	151 x 48 x 50 ± 1mm	2700	320	7W	46	15°
288064 Linera5 D35005/3000/7W/95/A15	151 x 48 x 50 ± 1mm	3000	345	7W	50	15°
288065 Linera5 D35005/3500/7W/95/A15	151 x 48 x 50 ± 1mm	3500	355	7W	51	15°
288066 Linera5 D35005/4000/7W/95/A15	151 x 48 x 50 ± 1mm	4000	385	7W	55	15°
288067 Linera5 D35005/2700/7W/95/A30	151 x 48 x 50 ± 1mm	2700	320	7W	46	30°

SKU SPECIFICATIONS

Product Code	Dimensions (mm)	CCT (K)	Lumens (lm)	Power (W)	Eff. (lm/watt)	Lens Angle (°)
CRI 95						
288068 Linera5 D35005/3000/7W/95/A30	151 x 48 x 50 ± 1mm	3000	345	7W	50	30°
288069 Linera5 D35005/3500/7W/95/A30	151 x 48 x 50 ± 1mm	3500	355	7W	51	30°
288070 Linera5 D35005/4000/7W/95/A30	151 x 48 x 50 ± 1mm	4000	385	7W	55	30°
288071 Linera5 D35005/2700/7W/95/A45	151 x 48 x 50 ± 1mm	2700	320	7W	46	45°
288072 Linera5 D35005/3000/7W/95/A45	151 x 48 x 50 ± 1mm	3000	345	7W	50	45°
288073 Linera5 D35005/3500/7W/95/A45	151 x 48 x 50 ± 1mm	3500	355	7W	51	45°
288074 Linera5 D35005/4000/7W/95/A45	151 x 48 x 50 ± 1mm	4000	385	7W	55	45°
288075 Linera5 D35005/2700/10W/95/A15	151 x 48 x 50 ± 1mm	2700	430	10W	43	15°
288076 Linera5 D35005/3000/10W/95/A15	151 x 48 x 50 ± 1mm	3000	465	10W	47	15°
288077 Linera5 D35005/3500/10W/95/A15	151 x 48 x 50 ± 1mm	3500	475	10W	48	15°
288078 Linera5 D35005/4000/10W/95/A15	151 x 48 x 50 ± 1mm	4000	525	10W	53	15°
288079 Linera5 D35005/2700/10W/95/A30	151 x 48 x 50 ± 1mm	2700	430	10W	43	30°
288080 Linera5 D35005/3000/10W/95/A30	151 x 48 x 50 ± 1mm	3000	465	10W	47	30°
288081 Linera5 D35005/3500/10W/95/A30	151 x 48 x 50 ± 1mm	3500	475	10W	48	30°
288082 Linera5 D35005/4000/10W/95/A30	151 x 48 x 50 ± 1mm	4000	525	10W	53	30°
288083 Linera5 D35005/2700/10W/95/A45	151 x 48 x 50 ± 1mm	2700	430	10W	43	45°
288084 Linera5 D35005/3000/10W/95/A45	151 x 48 x 50 ± 1mm	3000	465	10W	47	45°
288085 Linera5 D35005/3500/10W/95/A45	151 x 48 x 50 ± 1mm	3500	475	10W	48	45°
288086 Linera5 D35005/4000/10W/95/A45	151 x 48 x 50 ± 1mm	4000	525	10W	53	45°