



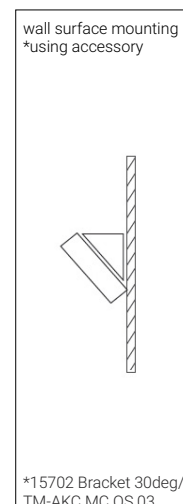
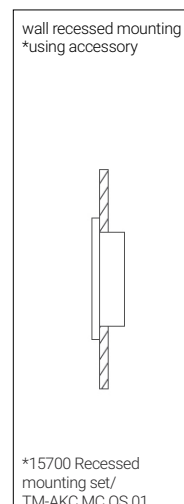
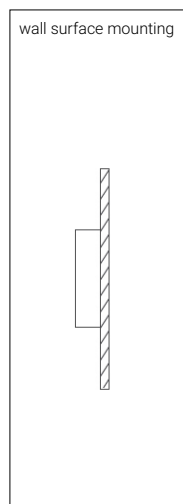
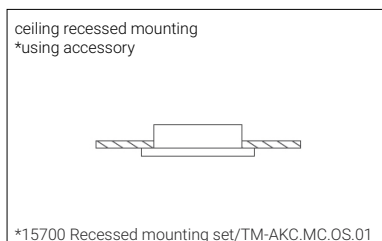
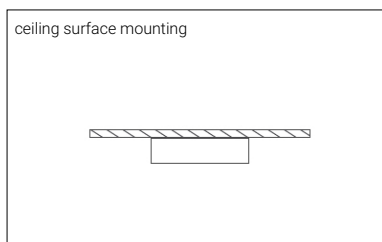
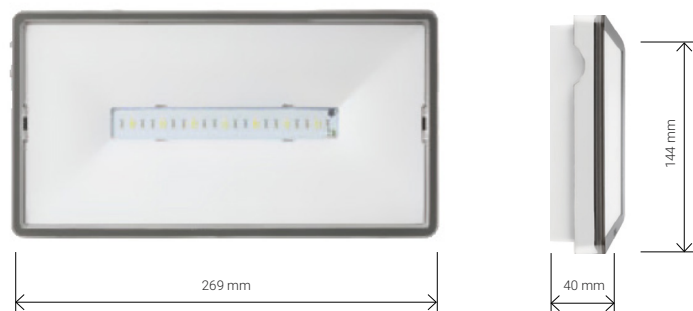
Antipanic Light

SURFACE MOUNTED/RECESSED

Guarantees excellent visibility of the sign through the application of advanced lighting technology solutions and special materials with high translucent characteristics.

APPLICATION

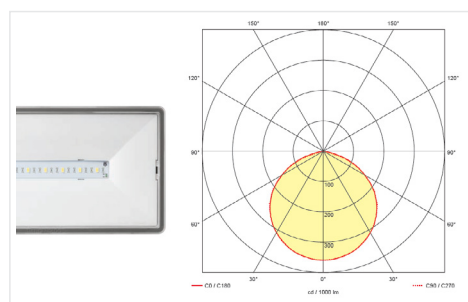
Antipanic Light



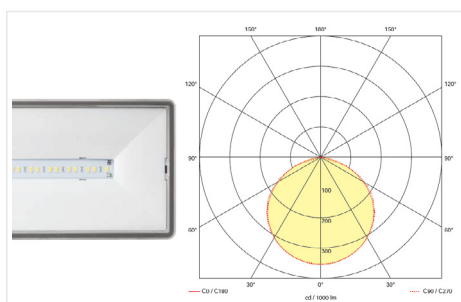
SPECIFICATIONS

Power consumption	1W / 2W / 5W
Dimensions	269x144x40mm
Dimensions of pictogram	246x123mm
Housing materials	PC/ABS
Cover materials	PC transparent
Diffuser materials	PMMA
Temperature range ST [°C/F]	10 ÷ 40 / 50 ÷ 104
Temperature range COLD [°C/F]	-15 ÷ 40 / 59 ÷ 104
Temperature range CB [°C/F]	-15 ÷ 55 / 59 ÷ 131
Isolation class	II
Power supply	210 - 250 V AC / 50 - 60HZ
Power supply – CB	186 - 254 V DC
Color temperature [K]	6.000
Housing color	○ RAL 9003
IP Rating	IP65
Mode	M (maintained) / NM (non maintained)
Type of test	ST (manual test)
Warranty [years]	2
Emergency option	EM1H/EM3H

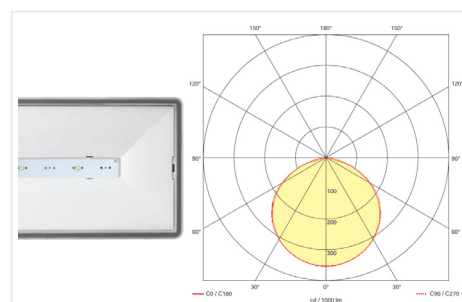
Antipanic Light



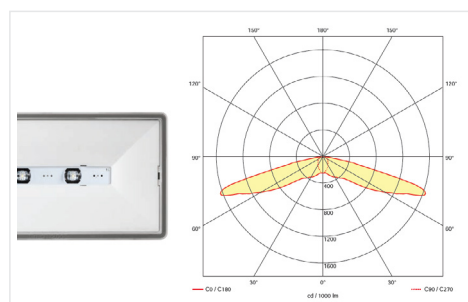
M1



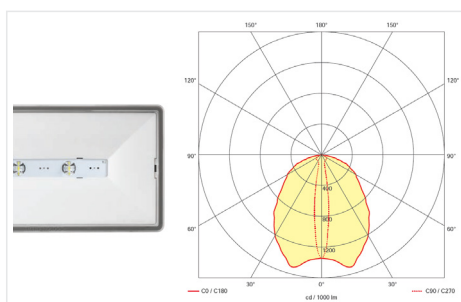
M2



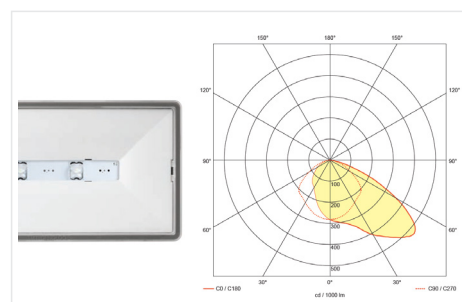
M5



C2



F2



W2

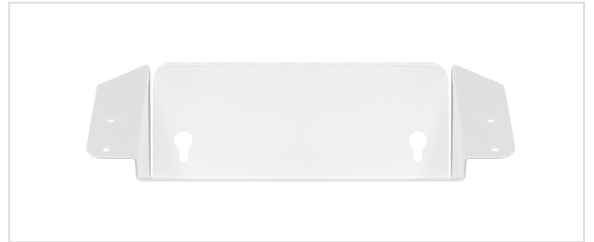
ACCESSORIES

Article Number

15700 Recessed mounting set/TM-AKC.MC.OS.01



15702 Bracket 30deg/TM-AKC.MC.OS.03



SPECIFICATIONS

Product	Dimensions (mm)	CCT (K)	Luminous flux (lm)	Power (W)	EM Options	Maintained/ Non Maintained	Type of test or destiny	Weight (Kg)
157119 AL/SM/ONTEC S M2 102 ST/M/NM/6000/2W/1H	269x144x40	6000	235/218	2	1H	M/NM	ST	0.5325
157120 AL/SM/ONTEC S M2 302 ST/M/NM/6000/2W/3H	269x144x40	6000	235 /218	2	3H	M/NM	ST	0.6105
157121 AL/SM/ONTEC S M2 102 COLD ST/M/NM/6000/2W/1H	269x144x40	6000	235/218	2	1H	M/NM	ST	0.4775
157122 AL/SM/ONTEC S M2 302 COLD ST/M/NM/6000/2W/3H	269x144x40	6000	235/218	2	3H	M/NM	ST	0.6565
157123 AL/SM/ONTEC S C2 105 ST/M/NM/6000/5W/1H	269x144x40	6000	246/410	5	1H	M/NM	ST	0.4775
157124 AL/SM/ONTEC S C2 305 ST/M/NM/6000/5W/3H	269x144x40	6000	246/410	5	3H	M/NM	ST	0.5585
157125 AL/SM/ONTEC S F2 105 ST/M/NM/6000/5W/1H	269x144x40	6000	241/398	5	1H	M/NM	ST	0.4775
157126 AL/SM/ONTEC S F2 305 ST/M/NM/6000/5W/3H	269x144x40	6000	241/398	5	3H	M/NM	ST	0.5585
157127 AL/SM/ONTEC S W2 105 ST/M/NM/6000/5W/1H	269x144x40	6000	213/351	5	1H	M/NM	ST	0.4775
157128 AL/SM/ONTEC S W2 305 ST/M/NM/6000/5W/3H	269x144x40	6000	213/351	5	3H	M/NM	ST	0.5585
157129 AL/SM/ONTEC S M1 01 Cbm/CB/6000/1W	269x14x40	6000	193	1	CB	CB	CB	0.3845
157130 AL/SM/ONTEC S M2 02 Cbm/CB/6000/2W	269x144x40	6000	235	2	CB	CB	CB	0.3845
157131 AL/SM/ONTEC S M5 05 Cbm/CB/6000/5W	269x144x40	6000	470	5	CB	CB	CB	0.3845