



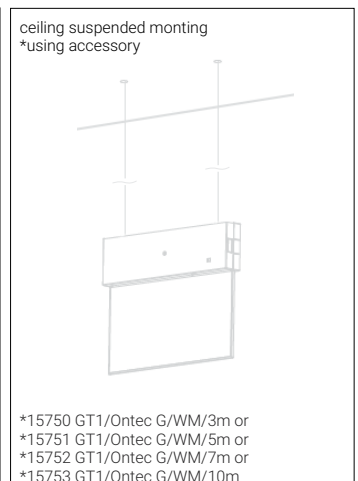
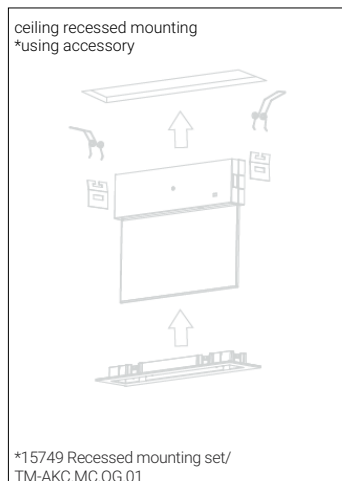
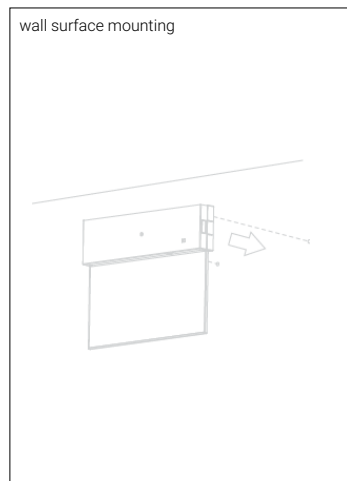
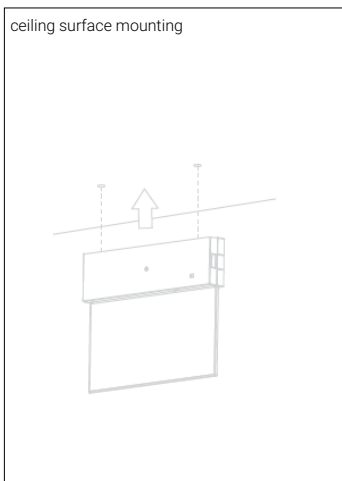
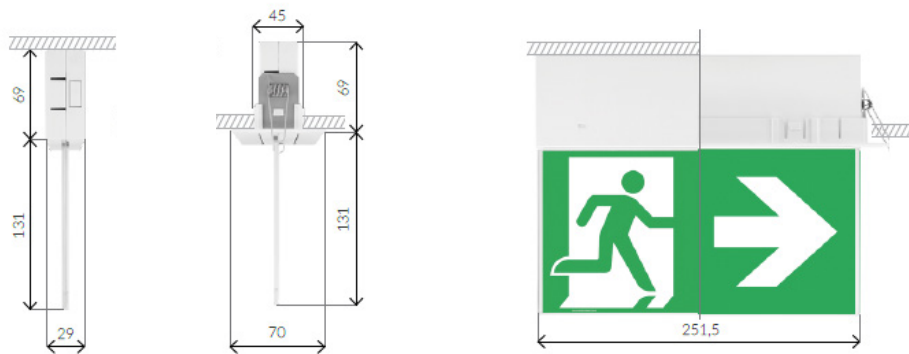
Evacuation road direction - Suspended

SUSPENDED/RECESSED

Guarantees excellent visibility of the sign through the application of advanced lighting technology solutions and special materials with high translucent characteristics.

APPLICATION

Evacuation road direction



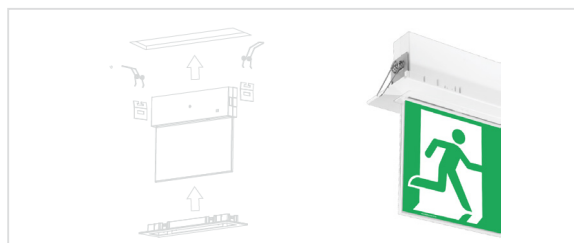
SPECIFICATIONS

Power consumption	1W
Dimensions	251,5x200x29mm
Dimensions with Recessed mounting set	292x200x70mm
Dimensions of pictogram	250× 125mm
Housing materials	PC
Cover materials	PMMA
Temperature range [°C/F]	10 ÷ 35 / 50 ÷ 95
Temperature range CB [°C/F]	-15 ÷ 55 / 59 ÷ 131
Isolation class	II
Power supply	230 V AC ± 10% / 50 - 60HZ
Power supply – CB	186 - 254 V DC
Color temperature [K]	6.000
Housing color	○ RAL 9003
IP Rating	IP20
Mode	M (maintained) / NM (non maintained)
Type of test	ST (manual test)
Warranty [years]	2
Emergency option	EM1H/EM3H

ACCESSORIES

Article Number

15749 Recessed mounting set/TM-AKC.MC.OG.01



15750 GT1/Ontec G/WM/3m

15751 GT1/Ontec G/WM/5m

15752 GT1/Ontec G/WM/7m

15753 GT1/Ontec G/WM/10m



15726 Pictogram/Ontec G/KO-PTMP1

Dimensions

250 mm × 125 mm



15727 Pictogram/Ontec G/KO-PTMP2

Dimensions

250 mm × 125 mm



15730 Pictogram/Ontec G/KO-PTMP5

Dimensions

250 mm × 125 mm



15731 Pictogram/Ontec G/KO-PTMP6

Dimensions

250 mm × 125 mm



15732 Pictogram/Ontec G/KO-PTMP7

Dimensions

250 mm × 125 mm



ACCESSORIES

Article Number

15733 Pictogram/Ontec G/KO-PTMP8

Dimensions

250 mm × 125 mm



15734 Pictogram/Ontec G/KO-PTMP9

Dimensions

250 mm × 125 mm



15735 Pictogram/Ontec G/KO-PTMP10

Dimensions

250 mm × 125 mm



15736 Pictogram/Ontec G/KO-PTMP11

Dimensions

250 mm × 125 mm



15737 Pictogram/Ontec G/KO-PTMP12

Dimensions

250 mm × 125 mm



15738 Pictogram/Ontec G/KO-PTMP13

Dimensions

250 mm × 125 mm



15739 Pictogram/Ontec G/KO-PTMP14

Dimensions

250 mm × 125 mm



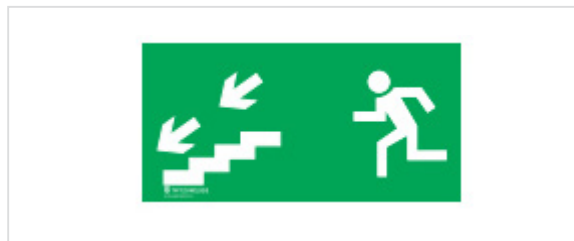
ACCESSORIES

Article Number

15740 Pictogram/Ontec G/KO-PTMP15

Dimensions

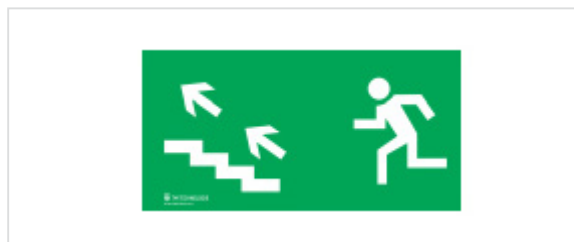
250 mm × 125 mm



15741 Pictogram/Ontec G/KO-PTMP16

Dimensions

250 mm × 125 mm



15742 Pictogram/Ontec G/KO-PTMP17

Dimensions

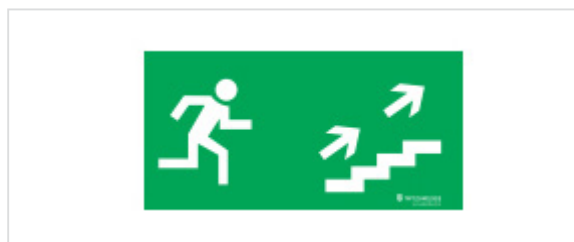
250 mm × 125 mm



15743 Pictogram/Ontec G/KO-PTMP18

Dimensions

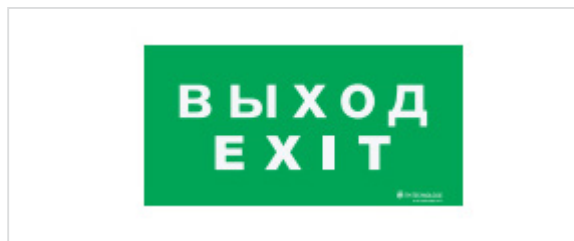
250 mm × 125 mm



15744 Pictogram/Ontec G/KO-PTMP19

Dimensions

246 mm × 123 mm



15745 Pictogram/Ontec G/KO-PTMP20

Dimensions

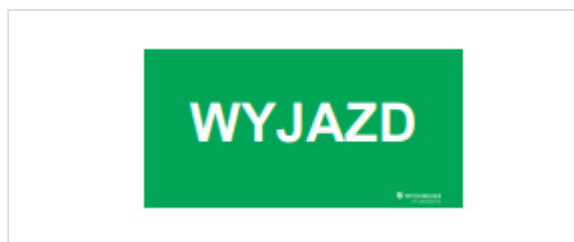
250 mm × 125 mm



15746 Pictogram/Ontec G/KO-PTMP21

Dimensions

250 mm × 125 mm



ACCESSORIES

Article Number

15747 Pictogram/Ontec G/KO-PTMP22

Dimensions

250 mm × 125 mm



15748 Pictogram/Ontec G/KO-PTMP23

Dimensions

250 mm × 125 mm



SPECIFICATIONS

Product	Dimensions (mm)	CCT (K)	Luminance (cd/m ²)	Power (W)	EM Options	Maintained/ Non Maintained	Type of test or destiny	Weight (Kg)
157111 ERD/S/ONTEC G E1A 101 ST/NM/6000/1W/1H	251,5x200x29	6000	300	1	1H	NM	ST	0.36
157112 ERD/S/ONTEC G E1A 301 ST/NM/6000/1W/3H	251,5x200x29	6000	300	1	3H	NM	ST	0.36
157113 ERD/S/ONTEC G E1B 101 ST/M/NM/6000/1W/1H	251,5x200x29	6000	300	1	1H	M/NM	ST	0.36
157114 ERD/S/ONTEC G E1B 301 ST/M/NM/6000/1W/3H	251,5x200x29	6000	300	1	3H	M/NM	ST	0.36
157115 ERD/S/ONTEC G E1P 101 ST/M/NM/6000/1W/1H	251,5x200x29	6000	500	1	1H	M/NM	ST	0.45
157116 ERD/S/ONTEC G E1P 301 ST/M/NM/6000/1W/3H	251,5x200x29	6000	500	1	3H	M/NM	ST	0.51
157117 ERD/S/ONTEC G E1E 01 CB/CB/6000/1W	251,5x200x29	6000	300	1	-	CB	CB	0.29
157118 ERD/S/ONTEC G E1P 01 CB/CB/6000/1W	251,5x200x29	6000	500	1	-	CB	CB	0.29