



Myriaky

OUTDOOR | 1-10V SERIES

High-performance and durable outdoor luminaire, designed for meeting the parking spaces and industrial applications lighting requirements. Low-maintenance and waterproof thanks to high IP factor. Suitable for industrial spaces, parking areas and billboards. Large range of beam angles from very tight 15°, to very wide 130°.

Available in three dimensions with 1, 2 or 3 modules. Sleek housing in gray for a perfect blend with the environment.

Myriaky outdoor luminaires come in two series, with various add-on and controls:

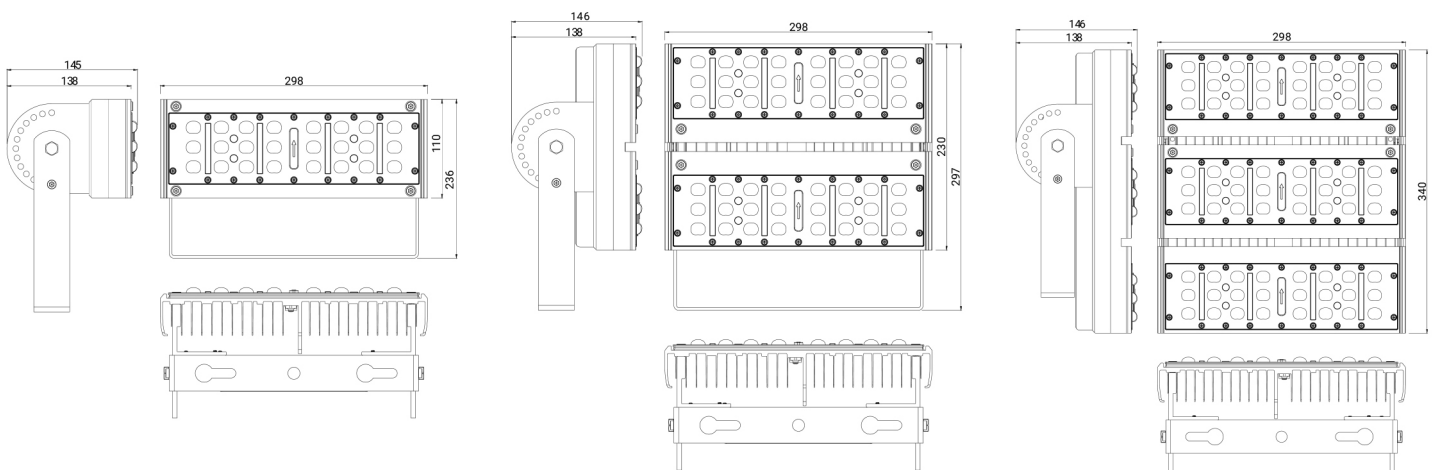
- Myriaky TEC – the standard
- Myriaky 1-10V – with 1-10V dimming controls for illumination adjustments

Features & Benefits

- CRI ≥ 70 as standard
- 2 color temperatures: 4000K and 6500K
- Long rated life: L80/B10@50.000h
- Wide range of lens angles: 15°, 30°, 75°, 130°
- High IP factor: 65
- High efficiency: 125 lm/w@4000K

Applications & Referencst

Grocery & Supermarkets | Office | Healthcare | Hospitality | DIY | Industrial & Logistics | Parking



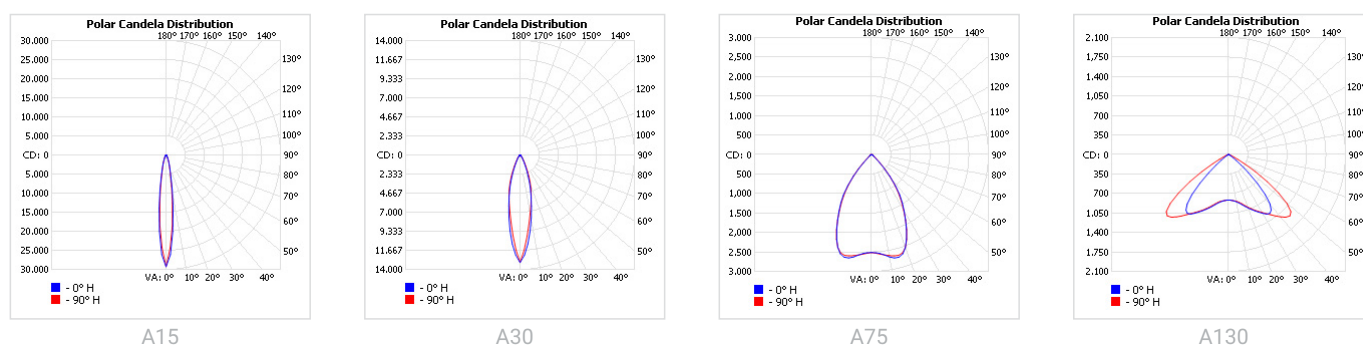
Specifications

Power consumption	30W, 50W, 60W, 70W, 80W, 90W	100W, 115W, 135W, 155W	175W, 190W, 210W
Dimensions	298 x 110 x 145 ± 1mm	298 x 230 x 146 ± 1mm	298 x 340 x 146 ± 1mm
Weight	2.7 kg	3.3 kg	4.2 kg
Housing materials	Aluminum & Polycarbonate		
IK code	IK08		
THD (at 230V, 50Hz, Full load)	<20%		
Protection class	Safety class 1		
Operating temperature [°C]	-40C...+65C/-40F...+149F		
Operating humidity [%]	10 ÷ 95		
Power factor	≥0.95		
AC Input [Vac]	90 - 305 VAC		
Lens angle [°]	15°, 30°, 75°, 130°		
Lifespan [h]	50,000		
Housing color	● Grey		
Lumen maintenance	L80/B10@50.000h at 25°C		
IP factor	IP65		
Control optional	1-10V dimming		
Warranty [years]	5		
Storage temperature range [°C]	-40C...+65C/-40F...+149F		
Emergency option	-		

Light application	Standard
CRI	CRI70
CCT [K]	4000K/6500K
MacAdam	4

CRI - Color rendering, CCT - Color temperature, MacAdam - Color consistency

Light Distribution



RISK GROUP

RG2

The evaluation of photobiological safety is carried out according to the standard IEC 62471:2008 (“Photobiological safety of lamps and lamp systems”). Following the definition of the risk grouping system of the mentioned IEC standard, the LEDs mounted on this family fall into the class “Moderate Risk (RG2)”. Under real circumstances (regarding exposure time, pupils, observation distance), it is assumed that there is no endangerment to the eye from these devices. As a matter of principle, however, it should be mentioned that intense light sources have a high secondary exposure potential due to their blinding effect.

TOLERANCES

Luminous flux tolerances: -/+ 5%

Consumption tolerance: -/+ 5% for TEC | -/+ 10% for TEC & KIT EM | -/+ 10% for ECO-DALI | -/+ 15% for ECO-DALI & KIT EM

BATTERY WARRANTY

TEC EM & ECO EM: 12 months warranty

TEC & ECO: -

MAXIMUM NO. OF LUMINAIRES ON A CIRCUIT

Power	Driver type	Control type	Circuit Breaker Type						
			Amperage	B			C		
				20	16	10	20	16	10
30W		TEC		12				20	
50W		TEC		9				16	
60-70W		TEC		3				6	
80-90W		TEC		4				8	
100-115W		TEC		5				9	
135W		TEC		4				7	
155-175W		TEC		4				7	
190-210W		TEC		2				4	

SKU SPECIFICATIONS

Product Code	Dimensions (mm)	CCT (K)	Lumens (lm)	Power (W)	Eff. (lm/watt)	Lens Angle (°)
CRI 70						
220000 Myriaky 1M/4000/30W/70/A15	298 x 110 x 145 ± 1mm	4000	3750	30	125	15°
220001 Myriaky 1M/6500/30W/70/A15	298 x 110 x 145 ± 1mm	6500	3940	30	132	15°
220002 Myriaky 1M/4000/30W/70/A30	298 x 110 x 145 ± 1mm	4000	3750	30	125	30°
220003 Myriaky 1M/6500/30W/70/A30	298 x 110 x 145 ± 1mm	6500	3940	30	132	30°
220004 Myriaky 1M/4000/30W/70/A75	298 x 110 x 145 ± 1mm	4000	3750	30	125	75°
220005 Myriaky 1M/6500/30W/70/A75	298 x 110 x 145 ± 1mm	6500	3940	30	132	75°
220006 Myriaky 1M/4000/30W/70/A130	298 x 110 x 145 ± 1mm	4000	3750	30	125	130°
220007 Myriaky 1M/6500/30W/70/A130	298 x 110 x 145 ± 1mm	6500	3940	30	132	130°
220008 Myriaky 1M/4000/50W/70/A15	298 x 110 x 145 ± 1mm	4000	6000	50	120	15°
220009 Myriaky 1M/6500/50W/70/A15	298 x 110 x 145 ± 1mm	6500	6300	50	126	15°
220010 Myriaky 1M/4000/50W/70/A30	298 x 110 x 145 ± 1mm	4000	6000	50	120	30°
220011 Myriaky 1M/6500/50W/70/A30	298 x 110 x 145 ± 1mm	6500	6300	50	126	30°
220012 Myriaky 1M/4000/50W/70/A75	298 x 110 x 145 ± 1mm	4000	6000	50	120	75°
220013 Myriaky 1M/6500/50W/70/A75	298 x 110 x 145 ± 1mm	6500	6300	50	126	75°
220014 Myriaky 1M/4000/50W/70/A130	298 x 110 x 145 ± 1mm	4000	6000	50	120	130°
220015 Myriaky 1M/6500/50W/70/A130	298 x 110 x 145 ± 1mm	6500	6300	50	126	130°
220016 Myriaky 1M/4000/60W/70/A15	298 x 110 x 145 ± 1mm	4000	7410	60	124	15°
220017 Myriaky 1M/6500/60W/70/A15	298 x 110 x 145 ± 1mm	6500	7800	60	130	15°
220018 Myriaky 1M/4000/60W/70/A30	298 x 110 x 145 ± 1mm	4000	7410	60	124	30°
220019 Myriaky 1M/6500/60W/70/A30	298 x 110 x 145 ± 1mm	6500	7800	60	130	30°
220020 Myriaky 1M/4000/60W/70/A75	298 x 110 x 145 ± 1mm	4000	7410	60	124	75°
220021 Myriaky 1M/6500/60W/70/A75	298 x 110 x 145 ± 1mm	6500	7800	60	130	75°
220022 Myriaky 1M/4000/60W/70/A130	298 x 110 x 145 ± 1mm	4000	7410	60	124	130°
220023 Myriaky 1M/6500/60W/70/A130	298 x 110 x 145 ± 1mm	6500	7800	60	130	130°
220024 Myriaky 1M/4000/70W/70/A15	298 x 110 x 145 ± 1mm	4000	8380	70	120	15°
220025 Myriaky 1M/6500/70W/70/A15	298 x 110 x 145 ± 1mm	6500	8820	70	126	15°
220026 Myriaky 1M/4000/70W/70/A30	298 x 110 x 145 ± 1mm	4000	8380	70	120	30°
220027 Myriaky 1M/6500/70W/70/A30	298 x 110 x 145 ± 1mm	6500	8820	70	126	30°
220028 Myriaky 1M/4000/70W/70/A75	298 x 110 x 145 ± 1mm	4000	8380	70	120	75°
220029 Myriaky 1M/6500/70W/70/A75	298 x 110 x 145 ± 1mm	6500	8820	70	126	75°
220030 Myriaky 1M/4000/70W/70/A130	298 x 110 x 145 ± 1mm	4000	8380	70	120	130°
220031 Myriaky 1M/6500/70W/70/A130	298 x 110 x 145 ± 1mm	6500	8820	70	126	130°
220032 Myriaky 1M/4000/80W/70/A15	298 x 110 x 145 ± 1mm	4000	9350	80	117	15°
220033 Myriaky 1M/6500/80W/70/A15	298 x 110 x 145 ± 1mm	6500	9840	80	123	15°
220034 Myriaky 1M/4000/80W/70/A30	298 x 110 x 145 ± 1mm	4000	9350	80	117	30°
220035 Myriaky 1M/6500/80W/70/A30	298 x 110 x 145 ± 1mm	6500	9840	80	123	30°
220036 Myriaky 1M/4000/80W/70/A75	298 x 110 x 145 ± 1mm	4000	9350	80	117	75°
220037 Myriaky 1M/6500/80W/70/A75	298 x 110 x 145 ± 1mm	6500	9840	80	123	75°
220038 Myriaky 1M/4000/80W/70/A130	298 x 110 x 145 ± 1mm	4000	9350	80	117	130°
220039 Myriaky 1M/6500/80W/70/A130	298 x 110 x 145 ± 1mm	6500	9840	80	123	130°
220040 Myriaky 1M/4000/90W/70/A15	298 x 110 x 145 ± 1mm	4000	10260	90	114	15°
220041 Myriaky 1M/6500/90W/70/A15	298 x 110 x 145 ± 1mm	6500	10800	90	120	15°
220042 Myriaky 1M/4000/90W/70/A30	298 x 110 x 145 ± 1mm	4000	10260	90	114	30°
220043 Myriaky 1M/6500/90W/70/A30	298 x 110 x 145 ± 1mm	6500	10800	90	120	30°
220044 Myriaky 1M/4000/90W/70/A75	298 x 110 x 145 ± 1mm	4000	10260	90	114	75°
220045 Myriaky 1M/6500/90W/70/A75	298 x 110 x 145 ± 1mm	6500	10800	90	120	75°
220046 Myriaky 1M/4000/90W/70/A130	298 x 110 x 145 ± 1mm	4000	10260	90	114	130°
220047 Myriaky 1M/6500/90W/70/A130	298 x 110 x 145 ± 1mm	6500	10800	90	120	130°
220056 Myriaky 2M/4000/100W/70/A15	298 x 230 x 146 ± 1mm	4000	12350	100	124	15°
220057 Myriaky 2M/6500/100W/70/A15	298 x 230 x 146 ± 1mm	6500	13000	100	130	15°

SKU SPECIFICATIONS

Product Code	Dimensions (mm)	CCT (K)	Lumens (lm)	Power (W)	Eff. (lm/watt)	Lens Angle (°)
CRI 70						
220058 Myriaky 2M/4000/100W/70/A30	298 x 230 x 146 ± 1mm	4000	12350	100	124	30°
220059 Myriaky 2M/6500/100W/70/A30	298 x 230 x 146 ± 1mm	6500	13000	100	130	30°
220060 Myriaky 2M/4000/100W/70/A75	298 x 230 x 146 ± 1mm	4000	12350	100	124	75°
220061 Myriaky 2M/6500/100W/70/A75	298 x 230 x 146 ± 1mm	6500	13000	100	130	75°
220062 Myriaky 2M/4000/100W/70/A130	298 x 230 x 146 ± 1mm	4000	12350	100	124	130°
220063 Myriaky 2M/6500/100W/70/A130	298 x 230 x 146 ± 1mm	6500	13000	100	130	130°
220064 Myriaky 2M/4000/115W/70/A15	298 x 230 x 146 ± 1mm	4000	13770	115	120	15°
220065 Myriaky 2M/6500/115W/70/A15	298 x 230 x 146 ± 1mm	6500	14490	115	126	15°
220066 Myriaky 2M/4000/115W/70/A30	298 x 230 x 146 ± 1mm	4000	13770	115	120	30°
220067 Myriaky 2M/6500/115W/70/A30	298 x 230 x 146 ± 1mm	6500	14490	115	126	30°
220068 Myriaky 2M/4000/115W/70/A75	298 x 230 x 146 ± 1mm	4000	13770	115	120	75°
220069 Myriaky 2M/6500/115W/70/A75	298 x 230 x 146 ± 1mm	6500	14490	115	126	75°
220070 Myriaky 2M/4000/115W/70/A130	298 x 230 x 146 ± 1mm	4000	13770	115	120	130°
220071 Myriaky 2M/6500/115W/70/A130	298 x 230 x 146 ± 1mm	6500	14490	115	126	130°
220072 Myriaky 2M/4000/135W/70/A15	298 x 230 x 146 ± 1mm	4000	15775	135	117	15°
220073 Myriaky 2M/6500/135W/70/A15	298 x 230 x 146 ± 1mm	6500	16605	135	123	15°
220074 Myriaky 2M/4000/135W/70/A30	298 x 230 x 146 ± 1mm	4000	15775	135	117	30°
220075 Myriaky 2M/6500/135W/70/A30	298 x 230 x 146 ± 1mm	6500	16605	135	123	30°
220076 Myriaky 2M/4000/135W/70/A75	298 x 230 x 146 ± 1mm	4000	15775	135	117	75°
220077 Myriaky 2M/6500/135W/70/A75	298 x 230 x 146 ± 1mm	6500	16605	135	123	75°
220078 Myriaky 2M/4000/135W/70/A130	298 x 230 x 146 ± 1mm	4000	15775	135	117	130°
220079 Myriaky 2M/6500/135W/70/A130	298 x 230 x 146 ± 1mm	6500	16605	135	123	130°
220080 Myriaky 2M/4000/155W/70/A15	298 x 230 x 146 ± 1mm	4000	17670	155	114	15°
220081 Myriaky 2M/6500/155W/70/A15	298 x 230 x 146 ± 1mm	6500	18600	155	120	15°
220082 Myriaky 2M/4000/155W/70/A30	298 x 230 x 146 ± 1mm	4000	17670	155	114	30°
220083 Myriaky 2M/6500/155W/70/A30	298 x 230 x 146 ± 1mm	6500	18600	155	120	30°
220084 Myriaky 2M/4000/155W/70/A75	298 x 230 x 146 ± 1mm	4000	17670	155	114	75°
220085 Myriaky 2M/6500/155W/70/A75	298 x 230 x 146 ± 1mm	6500	18600	155	120	75°
220086 Myriaky 2M/4000/155W/70/A130	298 x 230 x 146 ± 1mm	4000	17670	155	114	130°
220087 Myriaky 2M/6500/155W/70/A130	298 x 230 x 146 ± 1mm	6500	18600	155	120	130°
220096 Myriaky 3M/4000/175W/70/A15	298 x 340 x 146 ± 1mm	4000	20950	175	120	15°
220097 Myriaky 3M/6500/175W/70/A15	298 x 340 x 146 ± 1mm	6500	22050	175	126	15°
220098 Myriaky 3M/4000/175W/70/A30	298 x 340 x 146 ± 1mm	4000	20950	175	120	30°
220099 Myriaky 3M/6500/175W/70/A30	298 x 340 x 146 ± 1mm	6500	22050	175	126	30°
220100 Myriaky 3M/4000/175W/70/A75	298 x 340 x 146 ± 1mm	4000	20950	175	120	75°
220101 Myriaky 3M/6500/175W/70/A75	298 x 340 x 146 ± 1mm	6500	22050	175	126	75°
220102 Myriaky 3M/4000/175W/70/A130	298 x 340 x 146 ± 1mm	4000	20950	175	120	130°
220103 Myriaky 3M/6500/175W/70/A130	298 x 340 x 146 ± 1mm	6500	22050	175	126	130°
220104 Myriaky 3M/4000/190W/70/A15	298 x 340 x 146 ± 1mm	4000	22205	190	117	15°
220105 Myriaky 3M/6500/190W/70/A15	298 x 340 x 146 ± 1mm	6500	23370	190	123	15°
220106 Myriaky 3M/4000/190W/70/A30	298 x 340 x 146 ± 1mm	4000	22205	190	117	30°
220107 Myriaky 3M/6500/190W/70/A30	298 x 340 x 146 ± 1mm	6500	23370	190	123	30°
220108 Myriaky 3M/4000/190W/70/A75	298 x 340 x 146 ± 1mm	4000	22205	190	117	75°
220109 Myriaky 3M/6500/190W/70/A75	298 x 340 x 146 ± 1mm	6500	23370	190	123	75°
220110 Myriaky 3M/4000/190W/70/A130	298 x 340 x 146 ± 1mm	4000	22205	190	117	130°
220111 Myriaky 3M/6500/190W/70/A130	298 x 340 x 146 ± 1mm	6500	23370	190	123	130°
220112 Myriaky 3M/4000/210W/70/A15	298 x 340 x 146 ± 1mm	4000	23940	210	114	15°
220113 Myriaky 3M/6500/210W/70/A15	298 x 340 x 146 ± 1mm	6500	25200	210	120	15°
220114 Myriaky 3M/4000/210W/70/A30	298 x 340 x 146 ± 1mm	4000	23940	210	114	30°
220115 Myriaky 3M/6500/210W/70/A30	298 x 340 x 146 ± 1mm	6500	25200	210	120	30°

SKU SPECIFICATIONS

Product Code	Dimensions (mm)	CCT (K)	Lumens (lm)	Power (W)	Eff. (lm/watt)	Lens Angle (°)
CRI 70						
220116 Myriaky 3M/4000/210W/70/A75	298 x 340 x 146 ± 1mm	4000	23940	210	114	75°
220117 Myriaky 3M/6500/210W/70/A75	298 x 340 x 146 ± 1mm	6500	25200	210	120	75°
220118 Myriaky 3M/4000/210W/70/A130	298 x 340 x 146 ± 1mm	4000	23940	210	114	130°
220119 Myriaky 3M/6500/210W/70/A130	298 x 340 x 146 ± 1mm	6500	25200	210	120	130°