



Orion

TRACK SPOTLIGHTS AND DOWNLIGHTS | ECO-DALI SERIES

Orion is a geometric reflector that features even light distribution and a clean design. With ultra-strong aluminium housing and ultra-performance, Orion is easy to install and fits all available tracks. Rotates through 350° and pivots through 90° for higher flexibility.

Suitable for special color temperatures for food, art, fashion, hospitality (AMB2200) and AGI – Class A.

Available in three housing colors: RAL 9003 - signal white, RAL 9005 - jet black and RAL 9006 - white aluminium.

Orion comes in several series, with various add-on and controls:

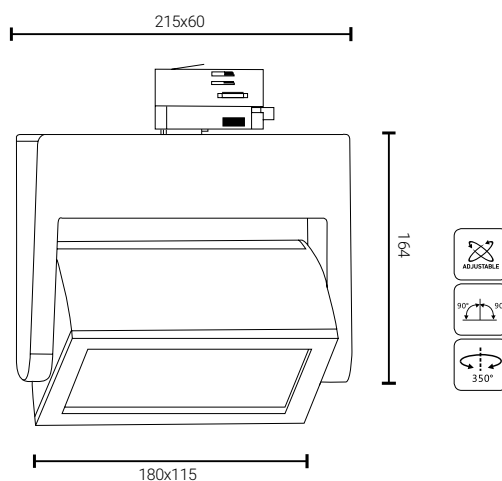
- Orion TEC – the standard for any project in the retail sectors
- Orion ECO - DALI – with DALI controls for dimming

APPLICATION

High End Grocery & Supermarkets | Fashion Retailers | Hospitality | Art & Exhibitions

FEATURES & BENEFITS

- CRI 80 as standard, up to 98 for certain special color temperatures
- 15 color temperatures, including specialized options for food, art, fashion, hospitality (AMB2200) and AGI – Class A
- Rotates through 350°, pivots through 90°
- Long rated life: L90/B10@50.000h
- Luminaire efficiency: 109 lm/w @4000K



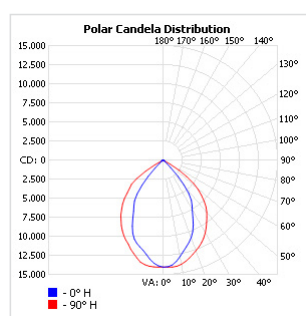
SPECIFICATIONS

Power consumption	14W, 17W, 20W
Dimensions	Ø115x164x215mm±1mm
Weight	2.2Kg
Housing materials	Aluminium, Glass
IK code	IK02
THD (at 230V, 50Hz, Full load)	<20%
Protection class	Safety class 1
Operating temperature [°C]	-20°C ... +45°C / -4F ... +113F
Operating humidity [%]	10 ÷ 85
Power factor	≥0.95
AC Input [Vac]	220 - 240 VAC
Lens angle [°]	90° / 65°
Lifespan [h]	50,000
Housing color	○RAL 9003 - signal white, ●RAL 9005 - jet black, ●RAL 9006 - white aluminium
Lumen maintenance	L90/B10@50.000h at 25°C
IP factor	IP20
Control optional	ECO-DALI
Warranty [years]	5
Storage temperature range [°C]	-20°C ... +55°C / -4F ... +131F
Emergency option	-

#	Standard	Food	Fashion	AGI	Enhanced	ART
CRI	CRI80	CRI80	CRI95	CRI93	CRI95	CRI98
CCT [K]	2700/3000/3500/4000	BVF/FBS/FZM/FSM/FSH	FAS	AGI3000/AGI3500/AGI4000	2700/3000/3500/4000	3000
MacAdam	3	3/4/4/3/3	3	3	2	2

CRI - Color rendering, CCT - Color temperature, MacAdam - Color consistency

LIGHT DISTRIBUTION



A90/A65

TOLERANCES

Luminous flux tolerances: -/+ 5%

Consumption tolerance: -/+ 5% for TEC | -/+ 10% for TEC & KIT EM | -/+ 10% for ECO-DALI | -/+ 15% for ECO-DALI & KIT EM

BATTERY WARRANTY

TEC EM & ECO EM: 12 months warranty

TEC & ECO: -

MAXIMUM NO. OF LUMINAIRES ON A CIRCUIT

Power	Driver type	Control type	Circuit Breaker Type						
			Amperage	B			C		
				20	16	10	20	16	10
12-14W	Built IN	TEC		62	50	31	104	85	52
17-20W	Built IN	TEC		62	50	31	104	85	52
23-27W	Built IN	TEC		24	20	10	47	40	20
29-35W	Built IN	TEC		24	20	10	47	40	20
42W	Built IN	TEC		20	16	8	38	32	16
12-14W	Built IN	ECO		62	50	31	104	85	52
23-27W	Built IN	ECO		25	21	13	50	42	26
34-42W	Built IN	ECO		17	14	9	34	28	18

RISK GROUP

Standard (CRI80)	RG1	<p>RG1 The evaluation of photobiological safety is carried out according to the standard IEC 62471:2008 ("Photobiological safety of lamps and lamp systems"). Following the definition of the risk grouping system of the mentioned IEC standard, the LEDs mounted on this family fall into the class "Low Risk (RG1 – No photobiological hazard under normal behavioral limitations)". Under real circumstances (regarding exposure time, pupils, observation distance), it is assumed that there is no endangerment to the eye from these devices. As a matter of principle, however, it should be mentioned that intense light sources have a high secondary exposure potential due to their blinding effect.</p>
FOOD (BVF, FBS, FSM)	RG1	
FOOD <20W (FZM, FSH)	RG2 (dthr=1.8m)	
FOOD >20W (FZM, FSH)	RG2 (dthr=2.2m)	
FAS	RG1	
AMB2200	RG1	
ART	RG1	
AGI	RG1	
CRI95	RG1	
SUNSET	RG1	
		<p>RG2 The evaluation of photobiological safety is carried out according to the standard IEC 62471:2008 ("Photobiological safety of lamps and lamp systems"). Following the definition of the risk grouping system of the mentioned IEC standard, the LEDs mounted on this family fall into the class "Moderate Risk (RG2)". Under real circumstances (regarding exposure time, pupils, observation distance), it is assumed that there is no endangerment to the eye from these devices. As a matter of principle, however, it should be mentioned that intense light sources have a high secondary exposure potential due to their blinding effect.</p>

SKU SPECIFICATIONS

Product Code	Dimensions (mm)	CCT (K)	Lumens (lm)	Power (W)	Eff. (lm/watt)	Lens Angle (°)
CRI 80						
192012 OrionL S32019/2700/14W/80	Ø115x164x215mm±1mm	2700	1440	14W	103	95°/65°
192013 OrionL S32019/3000/14W/80	Ø115x164x215mm±1mm	3000	1455	14W	104	95°/65°
192014 OrionL S32019/3500/14W/80	Ø115x164x215mm±1mm	3500	1495	14W	107	95°/65°
192015 OrionL S32019/4000/14W/80	Ø115x164x215mm±1mm	4000	1525	14W	109	95°/65°
192016 OrionL S32019/2700/20W/80	Ø115x164x215mm±1mm	2700	2010	20W	101	95°/65°
192017 OrionL S32019/3000/20W/80	Ø115x164x215mm±1mm	3000	2025	20W	102	95°/65°
192018 OrionL S32019/3500/20W/80	Ø115x164x215mm±1mm	3500	2080	20W	104	95°/65°
192019 OrionL S32019/4000/20W/80	Ø115x164x215mm±1mm	4000	2120	20W	106	95°/65°
192047 OrionL S32019/BVF/14W/80	Ø115x164x215mm±1mm	BVF	1225	14W	88	95°/65°
192048 OrionL S32019/FBS/14W/80	Ø115x164x215mm±1mm	FBS	830	14W	60	95°/65°
192049 OrionL S32019/FZM/14W/80	Ø115x164x215mm±1mm	FZM	800	14W	58	95°/65°
192050 OrionL S32019/FSM/14W/80	Ø115x164x215mm±1mm	FSM	830	14W	60	95°/65°
192051 OrionL S32019/FSH/14W/80	Ø115x164x215mm±1mm	FSH	1180	14W	85	95°/65°
192052 OrionL S32019/BVF/20W/80	Ø115x164x215mm±1mm	BVF	1675	20W	84	95°/65°
192053 OrionL S32019/FBS/20W/80	Ø115x164x215mm±1mm	FBS	1155	20W	58	95°/65°
192054 OrionL S32019/FZM/20W/80	Ø115x164x215mm±1mm	FZM	1105	20W	56	95°/65°
192055 OrionL S32019/FSM/20W/80	Ø115x164x215mm±1mm	FSM	1130	20W	57	95°/65°
192056 OrionL S32019/FSH/20W/80	Ø115x164x215mm±1mm	FSH	1640	20W	82	95°/65°
192075 OrionL S32019/AMB2200/14W/80	Ø115x164x215mm±1mm	AMB2200	1020	14W	73	95°/65°
192076 OrionL S32019/AMB2200/20W/80	Ø115x164x215mm±1mm	AMB2200	1410	20W	71	95°/65°
CRI 93						
192105 OrionL S32019/AGI3000/17W/93	Ø115x164x215mm±1mm	AGI3000	985	17W	58	95°/65°
192106 OrionL S32019/AGI3500/17W/93	Ø115x164x215mm±1mm	AGI3500	1050	17W	62	95°/65°
192107 OrionL S32019/AGI4000/17W/93	Ø115x164x215mm±1mm	AGI4000	1115	17W	66	95°/65°
CRI 95						
192083 OrionL S32019/FAS/14W/95	Ø115x164x215mm±1mm	FAS	1165	14W	84	95°/65°
192084 OrionL S32019/FAS/20W/95	Ø115x164x215mm±1mm	FAS	1610	20W	81	95°/65°
CRI 98						
192091 OrionL S32019/ART3000/14W/98	Ø115x164x215mm±1mm	ART3000	1160	14W	83	95°/65°
192092 OrionL S32019/ART3000/20W/98	Ø115x164x215mm±1mm	ART3000	1600	20W	80	95°/65°