



## Raylan

### RECESSED DIRECTIONAL SPOTLIGHTS | ECO-DALI EM

Discreet recessed spotlight suitable for low ceilings or for changing rooms where you need precise lightning effects. The spotlight smoothly blends into the general interior design and highlights the architectural features, providing a subtle yet precise illumination. Round diffusor for brilliant accent lighting in the shops and retail sectors.

Sleek aluminum housing with glass front face comes in three colors - signal white, jet black and white aluminum – for a perfect blend with the environment.

Raylan spotlight come in several series, with various add-on and controls:

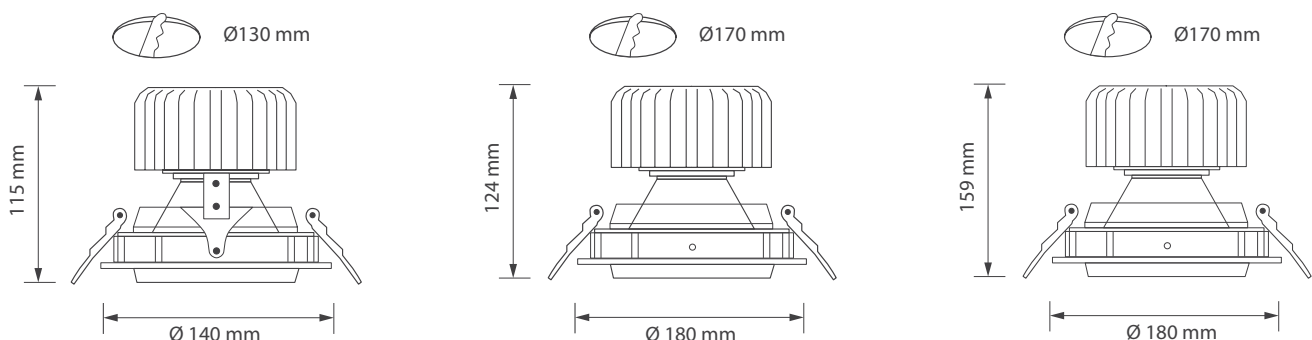
- Raylan TEC – the standard for any project in the retail and offices sectors
- Raylan ECO-DALI – with DALI controls for dimming
- Raylan TEC EM – with emergency lighting kit
- **Raylan ECO-DALI EM – with both dimming and emergency kit**

### APPLICATION

Supermarket | Fashion | Retail | Hospitality | Exhibition | Arhitectural

### FEATURES & BENEFITS

- CRI > 80 as standard, up to 98 for certain special color
- 16 color temperatures, including 11 specialized options for food, fashion, art, hospitality and AGI light
- Great variety of optics – 5 angles from narrow beams to flood beams
- Luminaire efficiency: 117lm/W @4000K
- Dimmable (for ECO Series)



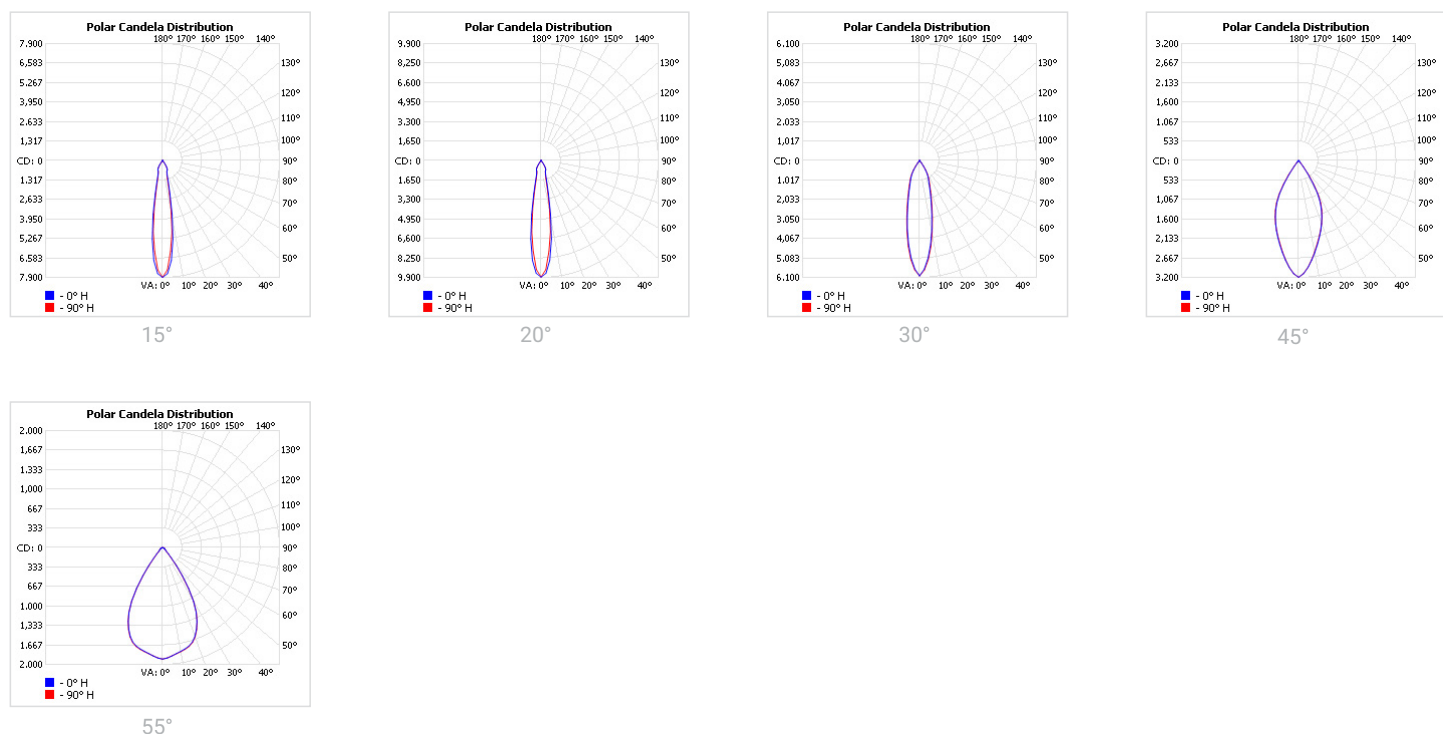
SPECIFICATIONS

Power consumption	14W, 17W, 20W, 23W, 27W, 29W, 34W, 35W, 42W		
Dimensions	D140xH115mmxØ130mm±1mm	D180xH124mmxØ170mm±1mm	D180xH159mmxØ170mm±1mm
Weight	1.5 - 1.8 Kg	1.6 - 2 Kg	1.6 - 1.8 Kg
Housing materials	Aluminium, glass		
IK code	IK02		
THD (at 230V, 50Hz, Full load)	<20%		
Protection class	Safety class 1		
Operating temperature [°C]	+5°C ... +40°C / +41F ... +104F		
Operating humidity [%]	10 ÷ 85		
Power factor	≥0.95		
AC Input [Vac]	220 - 240 VAC		
Lens angle [°]	15°, 20°, 30°, 45°, 55°		
Lifespan [h]	50,000		
Housing color	○ RAL 9003 - Signal White, ● RAL 9005 - Jet Black, ● RAL 9006 - White Aluminium		
Lumen maintenance	L90/B10@50,000h at 25°C		
IP factor (general)	IP20		
Control option	ECO-DALI		
Warranty [years]	5		
Storage temperature range [°C]	+5°C ... +25°C / +41F ... +77F		
Emergency option	EM1H, EM3H		

#	Standard	Food	Fashion	ENT / AGI	Enhanced	ART	AMB	SUNSET
CRI	CRI80	CRI80	CRI95	CRI90 & CRI 97 / CRI93	CRI90 / CRI95	CRI98	CRI80	CRI90
CCT [K]	2700 / 3000 / 3500 / 4000	BVF / FBS / FZM / FSM / FSH	FAS	5600 / AGI3000, 3500, 4000	2700/3000/3500/4000	3000	2200	1800...2700
MacAdam	3	3 / 4 / 4 / 3 / 3	3	3	2	2	3	3

CRI - Color rendering, CCT - Color temperature, MacAdam - Color consistency

LIGHT DISTRIBUTION



**TOLERANCES**

**Luminous flux tolerances:** -/+ 5%

**Consumption tolerance:** -/+ 5% for TEC | -/+ 10% for TEC & KIT EM | -/+ 10% for ECO-DALI | -/+ 15% for ECO-DALI & KIT EM

**BATTERY WARRANTY**

**TEC EM & ECO EM:** 12 months warranty

**TEC & ECO:** -

**MAXIMUM NO. OF LUMINAIRES ON A CIRCUIT**

Power	Control type	Circuit Breaker Type						
		Amperage	B			C		
			20	16	10	20	16	10
12-21W	TEC		62	50	31	104	85	52
23-35W	TEC		30	24	14	51	40	24
42W	TEC		20	16	8	38	32	16
50W	TEC		18	15	7	35	29	15
12-14W	ECO		44	35	21	73	58	35
16-21W	ECO		40	32	18	66	53	30
23-42W	ECO		28	22	13	46	36	21
50W	ECO		21	16	10	35	26	16

**RISK GROUP**

<b>Standard (CRI80)</b>	RG1
<b>FOOD (BVF, FBS, FSM)</b>	RG1
<b>FOOD &lt;20W (FZM, FSH)</b>	RG2 (dthr=1.8m)
<b>FOOD &gt;20W (FZM, FSH)</b>	RG2 (dthr=2.2m)
<b>FAS</b>	RG1
<b>AMB2200</b>	RG1
<b>ART</b>	RG1
<b>AGI</b>	RG1
<b>CRI90</b>	RG1
<b>CRI95</b>	RG1
<b>SUNSET</b>	RG1
<b>ENT</b>	RG1

**RG1**

The evaluation of photobiological safety is carried out according to the standard IEC 62471:2008 ("Photobiological safety of lamps and lamp systems"). Following the definition of the risk grouping system of the mentioned IEC standard, the LEDs mounted on this family fall into the class "Low Risk (RG1 - No photobiological hazard under normal behavioral limitations)". Under real circumstances (regarding exposure time, pupils, observation distance), it is assumed that there is no endangerment to the eye from these devices. As a matter of principle, however, it should be mentioned that intense light sources have a high secondary exposure potential due to their blinding effect.

**RG2**

The evaluation of photobiological safety is carried out according to the standard IEC 62471:2008 ("Photobiological safety of lamps and lamp systems"). Following the definition of the risk grouping system of the mentioned IEC standard, the LEDs mounted on this family fall into the class "Moderate Risk (RG2)". Under real circumstances (regarding exposure time, pupils, observation distance), it is assumed that there is no endangerment to the eye from these devices. As a matter of principle, however, it should be mentioned that intense light sources have a high secondary exposure potential due to their blinding effect.

SKU SPECIFICATIONS

Product Code	Dimensions (mm)	CCT (K)	Lumens (lm)	Power (W)	Eff. (lm/watt)	Lens Angle (°)
<b>CRI 80</b>						
218309 Raylan D34021/4000/27W/80/A20/EM1H	D140xH115mmxØ130mm±1mm	4000	3135	27W	117	20°
218314 Raylan D34021/4000/27W/80/A30/EM1H	D140xH115mmxØ130mm±1mm	4000	3135	27W	117	30°
218319 Raylan D34021/4000/27W/80/A45/EM1H	D140xH115mmxØ130mm±1mm	4000	3135	27W	117	45°
218324 Raylan D34021/4000/27W/80/A55/EM1H	D140xH115mmxØ130mm±1mm	4000	3135	27W	117	55°
218379 Raylan D34013/4000/27W/80/A15/EM1H	D180xH124mmxØ170mm±1mm	4000	3135	27W	117	15°
218384 Raylan D34013/4000/27W/80/A30/EM1H	D180xH124mmxØ170mm±1mm	4000	3135	27W	117	30°
218389 Raylan D34013/4000/27W/80/A45/EM1H	D180xH124mmxØ170mm±1mm	4000	3135	27W	117	45°
218575 Raylan D34021/4000/27W/80/A20/EM3H	D140xH115mmxØ130mm±1mm	4000	3135	27W	117	20°
218580 Raylan D34021/4000/27W/80/A30/EM3H	D140xH115mmxØ130mm±1mm	4000	3135	27W	117	30°
218585 Raylan D34021/4000/27W/80/A45/EM3H	D140xH115mmxØ130mm±1mm	4000	3135	27W	117	45°
218590 Raylan D34021/4000/27W/80/A55/EM3H	D140xH115mmxØ130mm±1mm	4000	3135	27W	117	55°
218645 Raylan D34013/4000/27W/80/A15/EM3H	D180xH124mmxØ170mm±1mm	4000	3135	27W	117	15°
218650 Raylan D34013/4000/27W/80/A30/EM3H	D180xH124mmxØ170mm±1mm	4000	3135	27W	117	30°
218655 Raylan D34013/4000/27W/80/A45/EM3H	D180xH124mmxØ170mm±1mm	4000	3135	27W	117	45°
218308 Raylan D34021/3500/27W/80/A20/EM1H	D140xH115mmxØ130mm±1mm	3500	3055	27W	114	20°
218313 Raylan D34021/3500/27W/80/A30/EM1H	D140xH115mmxØ130mm±1mm	3500	3055	27W	114	30°
218318 Raylan D34021/3500/27W/80/A45/EM1H	D140xH115mmxØ130mm±1mm	3500	3055	27W	114	45°
218323 Raylan D34021/3500/27W/80/A55/EM1H	D140xH115mmxØ130mm±1mm	3500	3055	27W	114	55°
218378 Raylan D34013/3500/27W/80/A15/EM1H	D180xH124mmxØ170mm±1mm	3500	3055	27W	114	15°
218383 Raylan D34013/3500/27W/80/A30/EM1H	D180xH124mmxØ170mm±1mm	3500	3055	27W	114	30°
218388 Raylan D34013/3500/27W/80/A45/EM1H	D180xH124mmxØ170mm±1mm	3500	3055	27W	114	45°
218574 Raylan D34021/3500/27W/80/A20/EM3H	D140xH115mmxØ130mm±1mm	3500	3055	27W	114	20°
218579 Raylan D34021/3500/27W/80/A30/EM3H	D140xH115mmxØ130mm±1mm	3500	3055	27W	114	30°
218584 Raylan D34021/3500/27W/80/A45/EM3H	D140xH115mmxØ130mm±1mm	3500	3055	27W	114	45°
218589 Raylan D34021/3500/27W/80/A55/EM3H	D140xH115mmxØ130mm±1mm	3500	3055	27W	114	55°
218644 Raylan D34013/3500/27W/80/A15/EM3H	D180xH124mmxØ170mm±1mm	3500	3055	27W	114	15°
218649 Raylan D34013/3500/27W/80/A30/EM3H	D180xH124mmxØ170mm±1mm	3500	3055	27W	114	30°
218654 Raylan D34013/3500/27W/80/A45/EM3H	D180xH124mmxØ170mm±1mm	3500	3055	27W	114	45°
218269 Raylan D34021/4000/14W/80/A20/EM1H	D140xH115mmxØ130mm±1mm	4000	1570	14W	113	20°
218274 Raylan D34021/4000/14W/80/A30/EM1H	D140xH115mmxØ130mm±1mm	4000	1570	14W	113	30°
218279 Raylan D34021/4000/14W/80/A45/EM1H	D140xH115mmxØ130mm±1mm	4000	1570	14W	113	45°
218284 Raylan D34021/4000/14W/80/A55/EM1H	D140xH115mmxØ130mm±1mm	4000	1570	14W	113	55°
218349 Raylan D34013/4000/14W/80/A15/EM1H	D180xH124mmxØ170mm±1mm	4000	1570	14W	113	15°
218354 Raylan D34013/4000/14W/80/A30/EM1H	D180xH124mmxØ170mm±1mm	4000	1570	14W	113	30°
218359 Raylan D34013/4000/14W/80/A45/EM1H	D180xH124mmxØ170mm±1mm	4000	1570	14W	113	45°
218535 Raylan D34021/4000/14W/80/A20/EM3H	D140xH115mmxØ130mm±1mm	4000	1570	14W	113	20°
218540 Raylan D34021/4000/14W/80/A30/EM3H	D140xH115mmxØ130mm±1mm	4000	1570	14W	113	30°
218545 Raylan D34021/4000/14W/80/A45/EM3H	D140xH115mmxØ130mm±1mm	4000	1570	14W	113	45°
218550 Raylan D34021/4000/14W/80/A55/EM3H	D140xH115mmxØ130mm±1mm	4000	1570	14W	113	55°
218615 Raylan D34013/4000/14W/80/A15/EM3H	D180xH124mmxØ170mm±1mm	4000	1570	14W	113	15°
218620 Raylan D34013/4000/14W/80/A30/EM3H	D180xH124mmxØ170mm±1mm	4000	1570	14W	113	30°
218625 Raylan D34013/4000/14W/80/A45/EM3H	D180xH124mmxØ170mm±1mm	4000	1570	14W	113	45°
218329 Raylan D34021/4000/35W/80/A20/EM1H	D140xH115mmxØ130mm±1mm	4000	3920	35W	112	20°
218334 Raylan D34021/4000/35W/80/A30/EM1H	D140xH115mmxØ130mm±1mm	4000	3920	35W	112	30°
218339 Raylan D34021/4000/35W/80/A45/EM1H	D140xH115mmxØ130mm±1mm	4000	3920	35W	112	45°
218344 Raylan D34021/4000/35W/80/A55/EM1H	D140xH115mmxØ130mm±1mm	4000	3920	35W	112	55°
218394 Raylan D34013/4000/35W/80/A15/EM1H	D180xH124mmxØ170mm±1mm	4000	3920	35W	112	15°
218399 Raylan D34013/4000/35W/80/A30/EM1H	D180xH124mmxØ170mm±1mm	4000	3920	35W	112	30°
218404 Raylan D34013/4000/35W/80/A45/EM1H	D180xH124mmxØ170mm±1mm	4000	3920	35W	112	45°
218595 Raylan D34021/4000/35W/80/A20/EM3H	D140xH115mmxØ130mm±1mm	4000	3920	35W	112	20°

SKU SPECIFICATIONS

Product Code	Dimensions (mm)	CCT (K)	Lumens (lm)	Power (W)	Eff. (lm/watt)	Lens Angle (°)
<b>CRI 80</b>						
218600 Raylan D34021/4000/35W/80/A30/EM3H	D140xH115mmxØ130mm±1mm	4000	3920	35W	112	30°
218605 Raylan D34021/4000/35W/80/A45/EM3H	D140xH115mmxØ130mm±1mm	4000	3920	35W	112	45°
218610 Raylan D34021/4000/35W/80/A55/EM3H	D140xH115mmxØ130mm±1mm	4000	3920	35W	112	55°
218660 Raylan D34013/4000/35W/80/A15/EM3H	D180xH124mmxØ170mm±1mm	4000	3920	35W	112	15°
218665 Raylan D34013/4000/35W/80/A30/EM3H	D180xH124mmxØ170mm±1mm	4000	3920	35W	112	30°
218670 Raylan D34013/4000/35W/80/A45/EM3H	D180xH124mmxØ170mm±1mm	4000	3920	35W	112	45°
218268 Raylan D34021/3500/14W/80/A20/EM1H	D140xH115mmxØ130mm±1mm	3500	1540	14W	110	20°
218273 Raylan D34021/3500/14W/80/A30/EM1H	D140xH115mmxØ130mm±1mm	3500	1540	14W	110	30°
218278 Raylan D34021/3500/14W/80/A45/EM1H	D140xH115mmxØ130mm±1mm	3500	1540	14W	110	45°
218283 Raylan D34021/3500/14W/80/A55/EM1H	D140xH115mmxØ130mm±1mm	3500	1540	14W	110	55°
218289 Raylan D34021/4000/20W/80/A20/EM1H	D140xH115mmxØ130mm±1mm	4000	2200	20W	110	20°
218294 Raylan D34021/4000/20W/80/A30/EM1H	D140xH115mmxØ130mm±1mm	4000	2200	20W	110	30°
218299 Raylan D34021/4000/20W/80/A45/EM1H	D140xH115mmxØ130mm±1mm	4000	2200	20W	110	45°
218304 Raylan D34021/4000/20W/80/A55/EM1H	D140xH115mmxØ130mm±1mm	4000	2200	20W	110	55°
218306 Raylan D34021/2700/27W/80/A20/EM1H	D140xH115mmxØ130mm±1mm	2700	2945	27W	110	20°
218307 Raylan D34021/3000/27W/80/A20/EM1H	D140xH115mmxØ130mm±1mm	3000	2970	27W	110	20°
218311 Raylan D34021/2700/27W/80/A30/EM1H	D140xH115mmxØ130mm±1mm	2700	2945	27W	110	30°
218312 Raylan D34021/3000/27W/80/A30/EM1H	D140xH115mmxØ130mm±1mm	3000	2970	27W	110	30°
218316 Raylan D34021/2700/27W/80/A45/EM1H	D140xH115mmxØ130mm±1mm	2700	2945	27W	110	45°
218317 Raylan D34021/3000/27W/80/A45/EM1H	D140xH115mmxØ130mm±1mm	3000	2970	27W	110	45°
218321 Raylan D34021/2700/27W/80/A55/EM1H	D140xH115mmxØ130mm±1mm	2700	2945	27W	110	55°
218322 Raylan D34021/3000/27W/80/A55/EM1H	D140xH115mmxØ130mm±1mm	3000	2970	27W	110	55°
218348 Raylan D34013/3500/14W/80/A15/EM1H	D180xH124mmxØ170mm±1mm	3500	1540	14W	110	15°
218353 Raylan D34013/3500/14W/80/A30/EM1H	D180xH124mmxØ170mm±1mm	3500	1540	14W	110	30°
218358 Raylan D34013/3500/14W/80/A45/EM1H	D180xH124mmxØ170mm±1mm	3500	1540	14W	110	45°
218364 Raylan D34013/4000/20W/80/A15/EM1H	D180xH124mmxØ170mm±1mm	4000	2200	20W	110	15°
218369 Raylan D34013/4000/20W/80/A30/EM1H	D180xH124mmxØ170mm±1mm	4000	2200	20W	110	30°
218374 Raylan D34013/4000/20W/80/A45/EM1H	D180xH124mmxØ170mm±1mm	4000	2200	20W	110	45°
218376 Raylan D34013/2700/27W/80/A15/EM1H	D180xH124mmxØ170mm±1mm	2700	2945	27W	110	15°
218377 Raylan D34013/3000/27W/80/A15/EM1H	D180xH124mmxØ170mm±1mm	3000	2970	27W	110	15°
218381 Raylan D34013/2700/27W/80/A30/EM1H	D180xH124mmxØ170mm±1mm	2700	2945	27W	110	30°
218382 Raylan D34013/3000/27W/80/A30/EM1H	D180xH124mmxØ170mm±1mm	3000	2970	27W	110	30°
218386 Raylan D34013/2700/27W/80/A45/EM1H	D180xH124mmxØ170mm±1mm	2700	2945	27W	110	45°
218387 Raylan D34013/3000/27W/80/A45/EM1H	D180xH124mmxØ170mm±1mm	3000	2970	27W	110	45°
218534 Raylan D34021/3500/14W/80/A20/EM3H	D140xH115mmxØ130mm±1mm	3500	1540	14W	110	20°
218539 Raylan D34021/3500/14W/80/A30/EM3H	D140xH115mmxØ130mm±1mm	3500	1540	14W	110	30°
218544 Raylan D34021/3500/14W/80/A45/EM3H	D140xH115mmxØ130mm±1mm	3500	1540	14W	110	45°
218549 Raylan D34021/3500/14W/80/A55/EM3H	D140xH115mmxØ130mm±1mm	3500	1540	14W	110	55°
218555 Raylan D34021/4000/20W/80/A20/EM3H	D140xH115mmxØ130mm±1mm	4000	2200	20W	110	20°
218560 Raylan D34021/4000/20W/80/A30/EM3H	D140xH115mmxØ130mm±1mm	4000	2200	20W	110	30°
218565 Raylan D34021/4000/20W/80/A45/EM3H	D140xH115mmxØ130mm±1mm	4000	2200	20W	110	45°
218570 Raylan D34021/4000/20W/80/A55/EM3H	D140xH115mmxØ130mm±1mm	4000	2200	20W	110	55°
218572 Raylan D34021/2700/27W/80/A20/EM3H	D140xH115mmxØ130mm±1mm	2700	2945	27W	110	20°
218573 Raylan D34021/3000/27W/80/A20/EM3H	D140xH115mmxØ130mm±1mm	3000	2970	27W	110	20°
218577 Raylan D34021/2700/27W/80/A30/EM3H	D140xH115mmxØ130mm±1mm	2700	2945	27W	110	30°
218578 Raylan D34021/3000/27W/80/A30/EM3H	D140xH115mmxØ130mm±1mm	3000	2970	27W	110	30°
218582 Raylan D34021/2700/27W/80/A45/EM3H	D140xH115mmxØ130mm±1mm	2700	2945	27W	110	45°
218583 Raylan D34021/3000/27W/80/A45/EM3H	D140xH115mmxØ130mm±1mm	3000	2970	27W	110	45°
218587 Raylan D34021/2700/27W/80/A55/EM3H	D140xH115mmxØ130mm±1mm	2700	2945	27W	110	55°
218588 Raylan D34021/3000/27W/80/A55/EM3H	D140xH115mmxØ130mm±1mm	3000	2970	27W	110	55°

SKU SPECIFICATIONS

Product Code	Dimensions (mm)	CCT (K)	Lumens (lm)	Power (W)	Eff. (lm/watt)	Lens Angle (°)
<b>CRI 80</b>						
218614 Raylan D34013/3500/14W/80/A15/EM3H	D180xH124mmxØ170mm±1mm	3500	1540	14W	110	15°
218619 Raylan D34013/3500/14W/80/A30/EM3H	D180xH124mmxØ170mm±1mm	3500	1540	14W	110	30°
218624 Raylan D34013/3500/14W/80/A45/EM3H	D180xH124mmxØ170mm±1mm	3500	1540	14W	110	45°
218630 Raylan D34013/4000/20W/80/A15/EM3H	D180xH124mmxØ170mm±1mm	4000	2200	20W	110	15°
218635 Raylan D34013/4000/20W/80/A30/EM3H	D180xH124mmxØ170mm±1mm	4000	2200	20W	110	30°
218640 Raylan D34013/4000/20W/80/A45/EM3H	D180xH124mmxØ170mm±1mm	4000	2200	20W	110	45°
218642 Raylan D34013/2700/27W/80/A15/EM3H	D180xH124mmxØ170mm±1mm	2700	2945	27W	110	15°
218643 Raylan D34013/3000/27W/80/A15/EM3H	D180xH124mmxØ170mm±1mm	3000	2970	27W	110	15°
218647 Raylan D34013/2700/27W/80/A30/EM3H	D180xH124mmxØ170mm±1mm	2700	2945	27W	110	30°
218648 Raylan D34013/3000/27W/80/A30/EM3H	D180xH124mmxØ170mm±1mm	3000	2970	27W	110	30°
218652 Raylan D34013/2700/27W/80/A45/EM3H	D180xH124mmxØ170mm±1mm	2700	2945	27W	110	45°
218653 Raylan D34013/3000/27W/80/A45/EM3H	D180xH124mmxØ170mm±1mm	3000	2970	27W	110	45°
218328 Raylan D34021/3500/35W/80/A20/EM1H	D140xH115mmxØ130mm±1mm	3500	3815	35W	109	20°
218333 Raylan D34021/3500/35W/80/A30/EM1H	D140xH115mmxØ130mm±1mm	3500	3815	35W	109	30°
218338 Raylan D34021/3500/35W/80/A45/EM1H	D140xH115mmxØ130mm±1mm	3500	3815	35W	109	45°
218343 Raylan D34021/3500/35W/80/A55/EM1H	D140xH115mmxØ130mm±1mm	3500	3815	35W	109	55°
218393 Raylan D34013/3500/35W/80/A15/EM1H	D180xH124mmxØ170mm±1mm	3500	3815	35W	109	15°
218398 Raylan D34013/3500/35W/80/A30/EM1H	D180xH124mmxØ170mm±1mm	3500	3815	35W	109	30°
218403 Raylan D34013/3500/35W/80/A45/EM1H	D180xH124mmxØ170mm±1mm	3500	3815	35W	109	45°
218594 Raylan D34021/3500/35W/80/A20/EM3H	D140xH115mmxØ130mm±1mm	3500	3815	35W	109	20°
218599 Raylan D34021/3500/35W/80/A30/EM3H	D140xH115mmxØ130mm±1mm	3500	3815	35W	109	30°
218604 Raylan D34021/3500/35W/80/A45/EM3H	D140xH115mmxØ130mm±1mm	3500	3815	35W	109	45°
218609 Raylan D34021/3500/35W/80/A55/EM3H	D140xH115mmxØ130mm±1mm	3500	3815	35W	109	55°
218659 Raylan D34013/3500/35W/80/A15/EM3H	D180xH124mmxØ170mm±1mm	3500	3815	35W	109	15°
218664 Raylan D34013/3500/35W/80/A30/EM3H	D180xH124mmxØ170mm±1mm	3500	3815	35W	109	30°
218669 Raylan D34013/3500/35W/80/A45/EM3H	D180xH124mmxØ170mm±1mm	3500	3815	35W	109	45°
218267 Raylan D34021/3000/14W/80/A20/EM1H	D140xH115mmxØ130mm±1mm	3000	1500	14W	108	20°
218272 Raylan D34021/3000/14W/80/A30/EM1H	D140xH115mmxØ130mm±1mm	3000	1500	14W	108	30°
218277 Raylan D34021/3000/14W/80/A45/EM1H	D140xH115mmxØ130mm±1mm	3000	1500	14W	108	45°
218282 Raylan D34021/3000/14W/80/A55/EM1H	D140xH115mmxØ130mm±1mm	3000	1500	14W	108	55°
218288 Raylan D34021/3500/20W/80/A20/EM1H	D140xH115mmxØ130mm±1mm	3500	2160	20W	108	20°
218293 Raylan D34021/3500/20W/80/A30/EM1H	D140xH115mmxØ130mm±1mm	3500	2160	20W	108	30°
218298 Raylan D34021/3500/20W/80/A45/EM1H	D140xH115mmxØ130mm±1mm	3500	2160	20W	108	45°
218303 Raylan D34021/3500/20W/80/A55/EM1H	D140xH115mmxØ130mm±1mm	3500	2160	20W	108	55°
218347 Raylan D34013/3000/14W/80/A15/EM1H	D180xH124mmxØ170mm±1mm	3000	1500	14W	108	15°
218352 Raylan D34013/3000/14W/80/A30/EM1H	D180xH124mmxØ170mm±1mm	3000	1500	14W	108	30°
218357 Raylan D34013/3000/14W/80/A45/EM1H	D180xH124mmxØ170mm±1mm	3000	1500	14W	108	45°
218363 Raylan D34013/3500/20W/80/A15/EM1H	D180xH124mmxØ170mm±1mm	3500	2160	20W	108	15°
218368 Raylan D34013/3500/20W/80/A30/EM1H	D180xH124mmxØ170mm±1mm	3500	2160	20W	108	30°
218373 Raylan D34013/3500/20W/80/A45/EM1H	D180xH124mmxØ170mm±1mm	3500	2160	20W	108	45°
218533 Raylan D34021/3000/14W/80/A20/EM3H	D140xH115mmxØ130mm±1mm	3000	1500	14W	108	20°
218538 Raylan D34021/3000/14W/80/A30/EM3H	D140xH115mmxØ130mm±1mm	3000	1500	14W	108	30°
218543 Raylan D34021/3000/14W/80/A45/EM3H	D140xH115mmxØ130mm±1mm	3000	1500	14W	108	45°
218548 Raylan D34021/3000/14W/80/A55/EM3H	D140xH115mmxØ130mm±1mm	3000	1500	14W	108	55°
218554 Raylan D34021/3500/20W/80/A20/EM3H	D140xH115mmxØ130mm±1mm	3500	2160	20W	108	20°
218559 Raylan D34021/3500/20W/80/A30/EM3H	D140xH115mmxØ130mm±1mm	3500	2160	20W	108	30°
218564 Raylan D34021/3500/20W/80/A45/EM3H	D140xH115mmxØ130mm±1mm	3500	2160	20W	108	45°
218569 Raylan D34021/3500/20W/80/A55/EM3H	D140xH115mmxØ130mm±1mm	3500	2160	20W	108	55°
218613 Raylan D34013/3000/14W/80/A15/EM3H	D180xH124mmxØ170mm±1mm	3000	1500	14W	108	15°
218618 Raylan D34013/3000/14W/80/A30/EM3H	D180xH124mmxØ170mm±1mm	3000	1500	14W	108	30°

SKU SPECIFICATIONS

Product Code	Dimensions (mm)	CCT (K)	Lumens (lm)	Power (W)	Eff. (lm/watt)	Lens Angle (°)
<b>CRI 80</b>						
218623 Raylan D34013/3000/14W/80/A45/EM3H	D180xH124mmxØ170mm±1mm	3000	1500	14W	108	45°
218629 Raylan D34013/3500/20W/80/A15/EM3H	D180xH124mmxØ170mm±1mm	3500	2160	20W	108	15°
218634 Raylan D34013/3500/20W/80/A30/EM3H	D180xH124mmxØ170mm±1mm	3500	2160	20W	108	30°
218639 Raylan D34013/3500/20W/80/A45/EM3H	D180xH124mmxØ170mm±1mm	3500	2160	20W	108	45°
218266 Raylan D34021/2700/14W/80/A20/EM1H	D140xH115mmxØ130mm±1mm	2700	1485	14W	107	20°
218271 Raylan D34021/2700/14W/80/A30/EM1H	D140xH115mmxØ130mm±1mm	2700	1485	14W	107	30°
218276 Raylan D34021/2700/14W/80/A45/EM1H	D140xH115mmxØ130mm±1mm	2700	1485	14W	107	45°
218281 Raylan D34021/2700/14W/80/A55/EM1H	D140xH115mmxØ130mm±1mm	2700	1485	14W	107	55°
218327 Raylan D34021/3000/35W/80/A20/EM1H	D140xH115mmxØ130mm±1mm	3000	3745	35W	107	20°
218332 Raylan D34021/3000/35W/80/A30/EM1H	D140xH115mmxØ130mm±1mm	3000	3745	35W	107	30°
218337 Raylan D34021/3000/35W/80/A45/EM1H	D140xH115mmxØ130mm±1mm	3000	3745	35W	107	45°
218342 Raylan D34021/3000/35W/80/A55/EM1H	D140xH115mmxØ130mm±1mm	3000	3745	35W	107	55°
218346 Raylan D34013/2700/14W/80/A15/EM1H	D180xH124mmxØ170mm±1mm	2700	1485	14W	107	15°
218351 Raylan D34013/2700/14W/80/A30/EM1H	D180xH124mmxØ170mm±1mm	2700	1485	14W	107	30°
218356 Raylan D34013/2700/14W/80/A45/EM1H	D180xH124mmxØ170mm±1mm	2700	1485	14W	107	45°
218392 Raylan D34013/3000/35W/80/A15/EM1H	D180xH124mmxØ170mm±1mm	3000	3745	35W	107	15°
218397 Raylan D34013/3000/35W/80/A30/EM1H	D180xH124mmxØ170mm±1mm	3000	3745	35W	107	30°
218402 Raylan D34013/3000/35W/80/A45/EM1H	D180xH124mmxØ170mm±1mm	3000	3745	35W	107	45°
218532 Raylan D34021/2700/14W/80/A20/EM3H	D140xH115mmxØ130mm±1mm	2700	1485	14W	107	20°
218537 Raylan D34021/2700/14W/80/A30/EM3H	D140xH115mmxØ130mm±1mm	2700	1485	14W	107	30°
218542 Raylan D34021/2700/14W/80/A45/EM3H	D140xH115mmxØ130mm±1mm	2700	1485	14W	107	45°
218547 Raylan D34021/2700/14W/80/A55/EM3H	D140xH115mmxØ130mm±1mm	2700	1485	14W	107	55°
218593 Raylan D34021/3000/35W/80/A20/EM3H	D140xH115mmxØ130mm±1mm	3000	3745	35W	107	20°
218598 Raylan D34021/3000/35W/80/A30/EM3H	D140xH115mmxØ130mm±1mm	3000	3745	35W	107	30°
218603 Raylan D34021/3000/35W/80/A45/EM3H	D140xH115mmxØ130mm±1mm	3000	3745	35W	107	45°
218608 Raylan D34021/3000/35W/80/A55/EM3H	D140xH115mmxØ130mm±1mm	3000	3745	35W	107	55°
218612 Raylan D34013/2700/14W/80/A15/EM3H	D180xH124mmxØ170mm±1mm	2700	1485	14W	107	15°
218617 Raylan D34013/2700/14W/80/A30/EM3H	D180xH124mmxØ170mm±1mm	2700	1485	14W	107	30°
218622 Raylan D34013/2700/14W/80/A45/EM3H	D180xH124mmxØ170mm±1mm	2700	1485	14W	107	45°
218658 Raylan D34013/3000/35W/80/A15/EM3H	D180xH124mmxØ170mm±1mm	3000	3745	35W	107	15°
218663 Raylan D34013/3000/35W/80/A30/EM3H	D180xH124mmxØ170mm±1mm	3000	3745	35W	107	30°
218668 Raylan D34013/3000/35W/80/A45/EM3H	D180xH124mmxØ170mm±1mm	3000	3745	35W	107	45°
218326 Raylan D34021/2700/35W/80/A20/EM1H	D140xH115mmxØ130mm±1mm	2700	3710	35W	106	20°
218331 Raylan D34021/2700/35W/80/A30/EM1H	D140xH115mmxØ130mm±1mm	2700	3710	35W	106	30°
218336 Raylan D34021/2700/35W/80/A45/EM1H	D140xH115mmxØ130mm±1mm	2700	3710	35W	106	45°
218341 Raylan D34021/2700/35W/80/A55/EM1H	D140xH115mmxØ130mm±1mm	2700	3710	35W	106	55°
218391 Raylan D34013/2700/35W/80/A15/EM1H	D180xH124mmxØ170mm±1mm	2700	3710	35W	106	15°
218396 Raylan D34013/2700/35W/80/A30/EM1H	D180xH124mmxØ170mm±1mm	2700	3710	35W	106	30°
218401 Raylan D34013/2700/35W/80/A45/EM1H	D180xH124mmxØ170mm±1mm	2700	3710	35W	106	45°
218592 Raylan D34021/2700/35W/80/A20/EM3H	D140xH115mmxØ130mm±1mm	2700	3710	35W	106	20°
218597 Raylan D34021/2700/35W/80/A30/EM3H	D140xH115mmxØ130mm±1mm	2700	3710	35W	106	30°
218602 Raylan D34021/2700/35W/80/A45/EM3H	D140xH115mmxØ130mm±1mm	2700	3710	35W	106	45°
218607 Raylan D34021/2700/35W/80/A55/EM3H	D140xH115mmxØ130mm±1mm	2700	3710	35W	106	55°
218657 Raylan D34013/2700/35W/80/A15/EM3H	D180xH124mmxØ170mm±1mm	2700	3710	35W	106	15°
218662 Raylan D34013/2700/35W/80/A30/EM3H	D180xH124mmxØ170mm±1mm	2700	3710	35W	106	30°
218667 Raylan D34013/2700/35W/80/A45/EM3H	D180xH124mmxØ170mm±1mm	2700	3710	35W	106	45°
218287 Raylan D34021/3000/20W/80/A20/EM1H	D140xH115mmxØ130mm±1mm	3000	2100	20W	105	20°
218292 Raylan D34021/3000/20W/80/A30/EM1H	D140xH115mmxØ130mm±1mm	3000	2100	20W	105	30°
218297 Raylan D34021/3000/20W/80/A45/EM1H	D140xH115mmxØ130mm±1mm	3000	2100	20W	105	45°
218302 Raylan D34021/3000/20W/80/A55/EM1H	D140xH115mmxØ130mm±1mm	3000	2100	20W	105	55°

SKU SPECIFICATIONS

Product Code	Dimensions (mm)	CCT (K)	Lumens (lm)	Power (W)	Eff. (lm/watt)	Lens Angle (°)
<b>CRI 80</b>						
218362 Raylan D34013/3000/20W/80/A15/EM1H	D180xH124mmxØ170mm±1mm	3000	2100	20W	105	15°
218367 Raylan D34013/3000/20W/80/A30/EM1H	D180xH124mmxØ170mm±1mm	3000	2100	20W	105	30°
218372 Raylan D34013/3000/20W/80/A45/EM1H	D180xH124mmxØ170mm±1mm	3000	2100	20W	105	45°
218553 Raylan D34021/3000/20W/80/A20/EM3H	D140xH115mmxØ130mm±1mm	3000	2100	20W	105	20°
218558 Raylan D34021/3000/20W/80/A30/EM3H	D140xH115mmxØ130mm±1mm	3000	2100	20W	105	30°
218563 Raylan D34021/3000/20W/80/A45/EM3H	D140xH115mmxØ130mm±1mm	3000	2100	20W	105	45°
218568 Raylan D34021/3000/20W/80/A55/EM3H	D140xH115mmxØ130mm±1mm	3000	2100	20W	105	55°
218628 Raylan D34013/3000/20W/80/A15/EM3H	D180xH124mmxØ170mm±1mm	3000	2100	20W	105	15°
218633 Raylan D34013/3000/20W/80/A30/EM3H	D180xH124mmxØ170mm±1mm	3000	2100	20W	105	30°
218638 Raylan D34013/3000/20W/80/A45/EM3H	D180xH124mmxØ170mm±1mm	3000	2100	20W	105	45°
218286 Raylan D34021/2700/20W/80/A20/EM1H	D140xH115mmxØ130mm±1mm	2700	2080	20W	104	20°
218291 Raylan D34021/2700/20W/80/A30/EM1H	D140xH115mmxØ130mm±1mm	2700	2080	20W	104	30°
218296 Raylan D34021/2700/20W/80/A45/EM1H	D140xH115mmxØ130mm±1mm	2700	2080	20W	104	45°
218301 Raylan D34021/2700/20W/80/A55/EM1H	D140xH115mmxØ130mm±1mm	2700	2080	20W	104	55°
218361 Raylan D34013/2700/20W/80/A15/EM1H	D180xH124mmxØ170mm±1mm	2700	2080	20W	104	15°
218366 Raylan D34013/2700/20W/80/A30/EM1H	D180xH124mmxØ170mm±1mm	2700	2080	20W	104	30°
218371 Raylan D34013/2700/20W/80/A45/EM1H	D180xH124mmxØ170mm±1mm	2700	2080	20W	104	45°
218552 Raylan D34021/2700/20W/80/A20/EM3H	D140xH115mmxØ130mm±1mm	2700	2080	20W	104	20°
218557 Raylan D34021/2700/20W/80/A30/EM3H	D140xH115mmxØ130mm±1mm	2700	2080	20W	104	30°
218562 Raylan D34021/2700/20W/80/A45/EM3H	D140xH115mmxØ130mm±1mm	2700	2080	20W	104	45°
218567 Raylan D34021/2700/20W/80/A55/EM3H	D140xH115mmxØ130mm±1mm	2700	2080	20W	104	55°
218627 Raylan D34013/2700/20W/80/A15/EM3H	D180xH124mmxØ170mm±1mm	2700	2080	20W	104	15°
218632 Raylan D34013/2700/20W/80/A30/EM3H	D180xH124mmxØ170mm±1mm	2700	2080	20W	104	30°
218637 Raylan D34013/2700/20W/80/A45/EM3H	D180xH124mmxØ170mm±1mm	2700	2080	20W	104	45°
218438 Raylan D34021/FSH/27W/80/A20/EM1H	D140xH115mmxØ130mm±1mm	FSH	2250	27W	84	20°
218443 Raylan D34021/FSH/27W/80/A30/EM1H	D140xH115mmxØ130mm±1mm	FSH	2250	27W	84	30°
218448 Raylan D34021/FSH/27W/80/A45/EM1H	D140xH115mmxØ130mm±1mm	FSH	2250	27W	84	45°
218453 Raylan D34021/FSH/27W/80/A55/EM1H	D140xH115mmxØ130mm±1mm	FSH	2250	27W	84	55°
218478 Raylan D34013/FSH/27W/80/A15/EM1H	D180xH124mmxØ170mm±1mm	FSH	2250	27W	84	15°
218483 Raylan D34013/FSH/27W/80/A30/EM1H	D180xH124mmxØ170mm±1mm	FSH	2250	27W	84	30°
218488 Raylan D34013/FSH/27W/80/A45/EM1H	D180xH124mmxØ170mm±1mm	FSH	2250	27W	84	45°
218704 Raylan D34021/FSH/27W/80/A20/EM3H	D140xH115mmxØ130mm±1mm	FSH	2250	27W	84	20°
218709 Raylan D34021/FSH/27W/80/A30/EM3H	D140xH115mmxØ130mm±1mm	FSH	2250	27W	84	30°
218714 Raylan D34021/FSH/27W/80/A45/EM3H	D140xH115mmxØ130mm±1mm	FSH	2250	27W	84	45°
218719 Raylan D34021/FSH/27W/80/A55/EM3H	D140xH115mmxØ130mm±1mm	FSH	2250	27W	84	55°
218744 Raylan D34013/FSH/27W/80/A15/EM3H	D180xH124mmxØ170mm±1mm	FSH	2250	27W	84	15°
218749 Raylan D34013/FSH/27W/80/A30/EM3H	D180xH124mmxØ170mm±1mm	FSH	2250	27W	84	30°
218754 Raylan D34013/FSH/27W/80/A45/EM3H	D180xH124mmxØ170mm±1mm	FSH	2250	27W	84	45°
218458 Raylan D34021/FSH/35W/80/A20/EM1H	D140xH115mmxØ130mm±1mm	FSH	2755	35W	79	20°
218463 Raylan D34021/FSH/35W/80/A30/EM1H	D140xH115mmxØ130mm±1mm	FSH	2755	35W	79	30°
218468 Raylan D34021/FSH/35W/80/A45/EM1H	D140xH115mmxØ130mm±1mm	FSH	2755	35W	79	45°
218473 Raylan D34021/FSH/35W/80/A55/EM1H	D140xH115mmxØ130mm±1mm	FSH	2755	35W	79	55°
218493 Raylan D34013/FSH/35W/80/A15/EM1H	D180xH124mmxØ170mm±1mm	FSH	2755	35W	79	15°
218498 Raylan D34013/FSH/35W/80/A30/EM1H	D180xH124mmxØ170mm±1mm	FSH	2755	35W	79	30°
218503 Raylan D34013/FSH/35W/80/A45/EM1H	D180xH124mmxØ170mm±1mm	FSH	2755	35W	79	45°
218724 Raylan D34021/FSH/35W/80/A20/EM3H	D140xH115mmxØ130mm±1mm	FSH	2755	35W	79	20°
218729 Raylan D34021/FSH/35W/80/A30/EM3H	D140xH115mmxØ130mm±1mm	FSH	2755	35W	79	30°
218734 Raylan D34021/FSH/35W/80/A45/EM3H	D140xH115mmxØ130mm±1mm	FSH	2755	35W	79	45°
218739 Raylan D34021/FSH/35W/80/A55/EM3H	D140xH115mmxØ130mm±1mm	FSH	2755	35W	79	55°
218759 Raylan D34013/FSH/35W/80/A15/EM3H	D180xH124mmxØ170mm±1mm	FSH	2755	35W	79	15°



SKU SPECIFICATIONS

Product Code	Dimensions (mm)	CCT (K)	Lumens (lm)	Power (W)	Eff. (lm/watt)	Lens Angle (°)
<b>CRI 80</b>						
218764 Raylan D34013/FSH/35W/80/A30/EM3H	D180xH124mmxØ170mm±1mm	FSH	2755	35W	79	30°
218769 Raylan D34013/FSH/35W/80/A45/EM3H	D180xH124mmxØ170mm±1mm	FSH	2755	35W	79	45°
218434 Raylan D34021/BVF/27W/80/A20/EM1H	D140xH115mmxØ130mm±1mm	BVF	2065	27W	77	20°
218439 Raylan D34021/BVF/27W/80/A30/EM1H	D140xH115mmxØ130mm±1mm	BVF	2065	27W	77	30°
218444 Raylan D34021/BVF/27W/80/A45/EM1H	D140xH115mmxØ130mm±1mm	BVF	2065	27W	77	45°
218449 Raylan D34021/BVF/27W/80/A55/EM1H	D140xH115mmxØ130mm±1mm	BVF	2065	27W	77	55°
218474 Raylan D34013/BVF/27W/80/A15/EM1H	D180xH124mmxØ170mm±1mm	BVF	2065	27W	77	15°
218479 Raylan D34013/BVF/27W/80/A30/EM1H	D180xH124mmxØ170mm±1mm	BVF	2065	27W	77	30°
218484 Raylan D34013/BVF/27W/80/A45/EM1H	D180xH124mmxØ170mm±1mm	BVF	2065	27W	77	45°
218700 Raylan D34021/BVF/27W/80/A20/EM3H	D140xH115mmxØ130mm±1mm	BVF	2065	27W	77	20°
218705 Raylan D34021/BVF/27W/80/A30/EM3H	D140xH115mmxØ130mm±1mm	BVF	2065	27W	77	30°
218710 Raylan D34021/BVF/27W/80/A45/EM3H	D140xH115mmxØ130mm±1mm	BVF	2065	27W	77	45°
218715 Raylan D34021/BVF/27W/80/A55/EM3H	D140xH115mmxØ130mm±1mm	BVF	2065	27W	77	55°
218740 Raylan D34013/BVF/27W/80/A15/EM3H	D180xH124mmxØ170mm±1mm	BVF	2065	27W	77	15°
218745 Raylan D34013/BVF/27W/80/A30/EM3H	D180xH124mmxØ170mm±1mm	BVF	2065	27W	77	30°
218750 Raylan D34013/BVF/27W/80/A45/EM3H	D180xH124mmxØ170mm±1mm	BVF	2065	27W	77	45°
218454 Raylan D34021/BVF/35W/80/A20/EM1H	D140xH115mmxØ130mm±1mm	BVF	2590	35W	74	20°
218459 Raylan D34021/BVF/35W/80/A30/EM1H	D140xH115mmxØ130mm±1mm	BVF	2590	35W	74	30°
218464 Raylan D34021/BVF/35W/80/A45/EM1H	D140xH115mmxØ130mm±1mm	BVF	2590	35W	74	45°
218469 Raylan D34021/BVF/35W/80/A55/EM1H	D140xH115mmxØ130mm±1mm	BVF	2590	35W	74	55°
218489 Raylan D34013/BVF/35W/80/A15/EM1H	D180xH124mmxØ170mm±1mm	BVF	2590	35W	74	15°
218494 Raylan D34013/BVF/35W/80/A30/EM1H	D180xH124mmxØ170mm±1mm	BVF	2590	35W	74	30°
218499 Raylan D34013/BVF/35W/80/A45/EM1H	D180xH124mmxØ170mm±1mm	BVF	2590	35W	74	45°
218720 Raylan D34021/BVF/35W/80/A20/EM3H	D140xH115mmxØ130mm±1mm	BVF	2590	35W	74	20°
218725 Raylan D34021/BVF/35W/80/A30/EM3H	D140xH115mmxØ130mm±1mm	BVF	2590	35W	74	30°
218730 Raylan D34021/BVF/35W/80/A45/EM3H	D140xH115mmxØ130mm±1mm	BVF	2590	35W	74	45°
218735 Raylan D34021/BVF/35W/80/A55/EM3H	D140xH115mmxØ130mm±1mm	BVF	2590	35W	74	55°
218755 Raylan D34013/BVF/35W/80/A15/EM3H	D180xH124mmxØ170mm±1mm	BVF	2590	35W	74	15°
218760 Raylan D34013/BVF/35W/80/A30/EM3H	D180xH124mmxØ170mm±1mm	BVF	2590	35W	74	30°
218765 Raylan D34013/BVF/35W/80/A45/EM3H	D180xH124mmxØ170mm±1mm	BVF	2590	35W	74	45°
218435 Raylan D34021/FBS/27W/80/A20/EM1H	D140xH115mmxØ130mm±1mm	FBS	1635	27W	61	20°
218440 Raylan D34021/FBS/27W/80/A30/EM1H	D140xH115mmxØ130mm±1mm	FBS	1635	27W	61	30°
218445 Raylan D34021/FBS/27W/80/A45/EM1H	D140xH115mmxØ130mm±1mm	FBS	1635	27W	61	45°
218450 Raylan D34021/FBS/27W/80/A55/EM1H	D140xH115mmxØ130mm±1mm	FBS	1635	27W	61	55°
218455 Raylan D34021/FBS/35W/80/A20/EM1H	D140xH115mmxØ130mm±1mm	FBS	2115	35W	61	20°
218460 Raylan D34021/FBS/35W/80/A30/EM1H	D140xH115mmxØ130mm±1mm	FBS	2115	35W	61	30°
218465 Raylan D34021/FBS/35W/80/A45/EM1H	D140xH115mmxØ130mm±1mm	FBS	2115	35W	61	45°
218470 Raylan D34021/FBS/35W/80/A55/EM1H	D140xH115mmxØ130mm±1mm	FBS	2115	35W	61	55°
218475 Raylan D34013/FBS/27W/80/A15/EM1H	D180xH124mmxØ170mm±1mm	FBS	1635	27W	61	15°
218480 Raylan D34013/FBS/27W/80/A30/EM1H	D180xH124mmxØ170mm±1mm	FBS	1635	27W	61	30°
218485 Raylan D34013/FBS/27W/80/A45/EM1H	D180xH124mmxØ170mm±1mm	FBS	1635	27W	61	45°
218490 Raylan D34013/FBS/35W/80/A15/EM1H	D180xH124mmxØ170mm±1mm	FBS	2115	35W	61	15°
218495 Raylan D34013/FBS/35W/80/A30/EM1H	D180xH124mmxØ170mm±1mm	FBS	2115	35W	61	30°
218500 Raylan D34013/FBS/35W/80/A45/EM1H	D180xH124mmxØ170mm±1mm	FBS	2115	35W	61	45°
218701 Raylan D34021/FBS/27W/80/A20/EM3H	D140xH115mmxØ130mm±1mm	FBS	1635	27W	61	20°
218706 Raylan D34021/FBS/27W/80/A30/EM3H	D140xH115mmxØ130mm±1mm	FBS	1635	27W	61	30°
218711 Raylan D34021/FBS/27W/80/A45/EM3H	D140xH115mmxØ130mm±1mm	FBS	1635	27W	61	45°
218716 Raylan D34021/FBS/27W/80/A55/EM3H	D140xH115mmxØ130mm±1mm	FBS	1635	27W	61	55°
218721 Raylan D34021/FBS/35W/80/A20/EM3H	D140xH115mmxØ130mm±1mm	FBS	2115	35W	61	20°
218726 Raylan D34021/FBS/35W/80/A30/EM3H	D140xH115mmxØ130mm±1mm	FBS	2115	35W	61	30°

SKU SPECIFICATIONS

Product Code	Dimensions (mm)	CCT (K)	Lumens (lm)	Power (W)	Eff. (lm/watt)	Lens Angle (°)
<b>CRI 80</b>						
218731 Raylan D34021/FBS/35W/80/A45/EM3H	D140xH115mmxØ130mm±1mm	FBS	2115	35W	61	45°
218736 Raylan D34021/FBS/35W/80/A55/EM3H	D140xH115mmxØ130mm±1mm	FBS	2115	35W	61	55°
218741 Raylan D34013/FBS/27W/80/A15/EM3H	D180xH124mmxØ170mm±1mm	FBS	1635	27W	61	15°
218746 Raylan D34013/FBS/27W/80/A30/EM3H	D180xH124mmxØ170mm±1mm	FBS	1635	27W	61	30°
218751 Raylan D34013/FBS/27W/80/A45/EM3H	D180xH124mmxØ170mm±1mm	FBS	1635	27W	61	45°
218756 Raylan D34013/FBS/35W/80/A15/EM3H	D180xH124mmxØ170mm±1mm	FBS	2115	35W	61	15°
218761 Raylan D34013/FBS/35W/80/A30/EM3H	D180xH124mmxØ170mm±1mm	FBS	2115	35W	61	30°
218766 Raylan D34013/FBS/35W/80/A45/EM3H	D180xH124mmxØ170mm±1mm	FBS	2115	35W	61	45°
218436 Raylan D34021/FZM/27W/80/A20/EM1H	D140xH115mmxØ130mm±1mm	FZM	1530	27W	57	20°
218437 Raylan D34021/FSM/27W/80/A20/EM1H	D140xH115mmxØ130mm±1mm	FSM	1530	27W	57	20°
218441 Raylan D34021/FZM/27W/80/A30/EM1H	D140xH115mmxØ130mm±1mm	FZM	1530	27W	57	30°
218442 Raylan D34021/FSM/27W/80/A30/EM1H	D140xH115mmxØ130mm±1mm	FSM	1530	27W	57	30°
218446 Raylan D34021/FZM/27W/80/A45/EM1H	D140xH115mmxØ130mm±1mm	FZM	1530	27W	57	45°
218447 Raylan D34021/FSM/27W/80/A45/EM1H	D140xH115mmxØ130mm±1mm	FSM	1530	27W	57	45°
218451 Raylan D34021/FZM/27W/80/A55/EM1H	D140xH115mmxØ130mm±1mm	FZM	1530	27W	57	55°
218452 Raylan D34021/FSM/27W/80/A55/EM1H	D140xH115mmxØ130mm±1mm	FSM	1530	27W	57	55°
218456 Raylan D34021/FZM/35W/80/A20/EM1H	D140xH115mmxØ130mm±1mm	FZM	1980	35W	57	20°
218457 Raylan D34021/FSM/35W/80/A20/EM1H	D140xH115mmxØ130mm±1mm	FSM	1980	35W	57	20°
218461 Raylan D34021/FZM/35W/80/A30/EM1H	D140xH115mmxØ130mm±1mm	FZM	1980	35W	57	30°
218462 Raylan D34021/FSM/35W/80/A30/EM1H	D140xH115mmxØ130mm±1mm	FSM	1980	35W	57	30°
218466 Raylan D34021/FZM/35W/80/A45/EM1H	D140xH115mmxØ130mm±1mm	FZM	1980	35W	57	45°
218467 Raylan D34021/FSM/35W/80/A45/EM1H	D140xH115mmxØ130mm±1mm	FSM	1980	35W	57	45°
218471 Raylan D34021/FZM/35W/80/A55/EM1H	D140xH115mmxØ130mm±1mm	FZM	1980	35W	57	55°
218472 Raylan D34021/FSM/35W/80/A55/EM1H	D140xH115mmxØ130mm±1mm	FSM	1980	35W	57	55°
218476 Raylan D34013/FZM/27W/80/A15/EM1H	D180xH124mmxØ170mm±1mm	FZM	1530	27W	57	15°
218477 Raylan D34013/FSM/27W/80/A15/EM1H	D180xH124mmxØ170mm±1mm	FSM	1530	27W	57	15°
218481 Raylan D34013/FZM/27W/80/A30/EM1H	D180xH124mmxØ170mm±1mm	FZM	1530	27W	57	30°
218482 Raylan D34013/FSM/27W/80/A30/EM1H	D180xH124mmxØ170mm±1mm	FSM	1530	27W	57	30°
218486 Raylan D34013/FZM/27W/80/A45/EM1H	D180xH124mmxØ170mm±1mm	FZM	1530	27W	57	45°
218487 Raylan D34013/FSM/27W/80/A45/EM1H	D180xH124mmxØ170mm±1mm	FSM	1530	27W	57	45°
218491 Raylan D34013/FZM/35W/80/A15/EM1H	D180xH124mmxØ170mm±1mm	FZM	1980	35W	57	15°
218492 Raylan D34013/FSM/35W/80/A15/EM1H	D180xH124mmxØ170mm±1mm	FSM	1980	35W	57	15°
218496 Raylan D34013/FZM/35W/80/A30/EM1H	D180xH124mmxØ170mm±1mm	FZM	1980	35W	57	30°
218497 Raylan D34013/FSM/35W/80/A30/EM1H	D180xH124mmxØ170mm±1mm	FSM	1980	35W	57	30°
218501 Raylan D34013/FZM/35W/80/A45/EM1H	D180xH124mmxØ170mm±1mm	FZM	1980	35W	57	45°
218502 Raylan D34013/FSM/35W/80/A45/EM1H	D180xH124mmxØ170mm±1mm	FSM	1980	35W	57	45°
218702 Raylan D34021/FZM/27W/80/A20/EM3H	D140xH115mmxØ130mm±1mm	FZM	1530	27W	57	20°
218703 Raylan D34021/FSM/27W/80/A20/EM3H	D140xH115mmxØ130mm±1mm	FSM	1530	27W	57	20°
218707 Raylan D34021/FZM/27W/80/A30/EM3H	D140xH115mmxØ130mm±1mm	FZM	1530	27W	57	30°
218708 Raylan D34021/FSM/27W/80/A30/EM3H	D140xH115mmxØ130mm±1mm	FSM	1530	27W	57	30°
218712 Raylan D34021/FZM/27W/80/A45/EM3H	D140xH115mmxØ130mm±1mm	FZM	1530	27W	57	45°
218713 Raylan D34021/FSM/27W/80/A45/EM3H	D140xH115mmxØ130mm±1mm	FSM	1530	27W	57	45°
218717 Raylan D34021/FZM/27W/80/A55/EM3H	D140xH115mmxØ130mm±1mm	FZM	1530	27W	57	55°
218718 Raylan D34021/FSM/27W/80/A55/EM3H	D140xH115mmxØ130mm±1mm	FSM	1530	27W	57	55°
218722 Raylan D34021/FZM/35W/80/A20/EM3H	D140xH115mmxØ130mm±1mm	FZM	1980	35W	57	20°
218723 Raylan D34021/FSM/35W/80/A20/EM3H	D140xH115mmxØ130mm±1mm	FSM	1980	35W	57	20°
218727 Raylan D34021/FZM/35W/80/A30/EM3H	D140xH115mmxØ130mm±1mm	FZM	1980	35W	57	30°
218728 Raylan D34021/FSM/35W/80/A30/EM3H	D140xH115mmxØ130mm±1mm	FSM	1980	35W	57	30°
218732 Raylan D34021/FZM/35W/80/A45/EM3H	D140xH115mmxØ130mm±1mm	FZM	1980	35W	57	45°
218733 Raylan D34021/FSM/35W/80/A45/EM3H	D140xH115mmxØ130mm±1mm	FSM	1980	35W	57	45°

SKU SPECIFICATIONS

Product Code	Dimensions (mm)	CCT (K)	Lumens (lm)	Power (W)	Eff. (lm/watt)	Lens Angle (°)
<b>CRI 80</b>						
218737 Raylan D34021/FZM/35W/80/A55/EM3H	D140xH115mmxØ130mm±1mm	FZM	1980	35W	57	55°
218738 Raylan D34021/FSM/35W/80/A55/EM3H	D140xH115mmxØ130mm±1mm	FSM	1980	35W	57	55°
218742 Raylan D34013/FZM/27W/80/A15/EM3H	D180xH124mmxØ170mm±1mm	FZM	1530	27W	57	15°
218743 Raylan D34013/FSM/27W/80/A15/EM3H	D180xH124mmxØ170mm±1mm	FSM	1530	27W	57	15°
218747 Raylan D34013/FZM/27W/80/A30/EM3H	D180xH124mmxØ170mm±1mm	FZM	1530	27W	57	30°
218748 Raylan D34013/FSM/27W/80/A30/EM3H	D180xH124mmxØ170mm±1mm	FSM	1530	27W	57	30°
218752 Raylan D34013/FZM/27W/80/A45/EM3H	D180xH124mmxØ170mm±1mm	FZM	1530	27W	57	45°
218753 Raylan D34013/FSM/27W/80/A45/EM3H	D180xH124mmxØ170mm±1mm	FSM	1530	27W	57	45°
218757 Raylan D34013/FZM/35W/80/A15/EM3H	D180xH124mmxØ170mm±1mm	FZM	1980	35W	57	15°
218758 Raylan D34013/FSM/35W/80/A15/EM3H	D180xH124mmxØ170mm±1mm	FSM	1980	35W	57	15°
218762 Raylan D34013/FZM/35W/80/A30/EM3H	D180xH124mmxØ170mm±1mm	FZM	1980	35W	57	30°
218763 Raylan D34013/FSM/35W/80/A30/EM3H	D180xH124mmxØ170mm±1mm	FSM	1980	35W	57	30°
218767 Raylan D34013/FZM/35W/80/A45/EM3H	D180xH124mmxØ170mm±1mm	FZM	1980	35W	57	45°
218768 Raylan D34013/FSM/35W/80/A45/EM3H	D180xH124mmxØ170mm±1mm	FSM	1980	35W	57	45°
2181400 Raylan D34013_H80/2700/42W/80/A15/EM1H	D180xH159mmxØ170mm±1mm	2700	4200	42W	100	15°
2181401 Raylan D34013_H80/3000/42W/80/A15/EM1H	D180xH159mmxØ170mm±1mm	3000	4200	42W	100	15°
2181402 Raylan D34013_H80/3500/42W/80/A15/EM1H	D180xH159mmxØ170mm±1mm	3500	4330	42W	103	15°
2181403 Raylan D34013_H80/4000/42W/80/A15/EM1H	D180xH159mmxØ170mm±1mm	4000	4455	42W	106	15°
2181405 Raylan D34013_H80/2700/42W/80/A30/EM1H	D180xH159mmxØ170mm±1mm	2700	4200	42W	100	30°
2181406 Raylan D34013_H80/3000/42W/80/A30/EM1H	D180xH159mmxØ170mm±1mm	3000	4200	42W	100	30°
2181407 Raylan D34013_H80/3500/42W/80/A30/EM1H	D180xH159mmxØ170mm±1mm	3500	4330	42W	103	30°
2181408 Raylan D34013_H80/4000/42W/80/A30/EM1H	D180xH159mmxØ170mm±1mm	4000	4455	42W	106	30°
2181410 Raylan D34013_H80/2700/42W/80/A45/EM1H	D180xH159mmxØ170mm±1mm	2700	4200	42W	100	45°
2181411 Raylan D34013_H80/3000/42W/80/A45/EM1H	D180xH159mmxØ170mm±1mm	3000	4200	42W	100	45°
2181412 Raylan D34013_H80/3500/42W/80/A45/EM1H	D180xH159mmxØ170mm±1mm	3500	4330	42W	103	45°
2181413 Raylan D34013_H80/4000/42W/80/A45/EM1H	D180xH159mmxØ170mm±1mm	4000	4455	42W	106	45°
2181415 Raylan D34013_H80/2700/42W/80/A15/EM3H	D180xH159mmxØ170mm±1mm	2700	4200	42W	100	15°
2181416 Raylan D34013_H80/3000/42W/80/A15/EM3H	D180xH159mmxØ170mm±1mm	3000	4200	42W	100	15°
2181417 Raylan D34013_H80/3500/42W/80/A15/EM3H	D180xH159mmxØ170mm±1mm	3500	4330	42W	103	15°
2181418 Raylan D34013_H80/4000/42W/80/A15/EM3H	D180xH159mmxØ170mm±1mm	4000	4455	42W	106	15°
2181420 Raylan D34013_H80/2700/42W/80/A30/EM3H	D180xH159mmxØ170mm±1mm	2700	4200	42W	100	30°
2181421 Raylan D34013_H80/3000/42W/80/A30/EM3H	D180xH159mmxØ170mm±1mm	3000	4200	42W	100	30°
2181422 Raylan D34013_H80/3500/42W/80/A30/EM3H	D180xH159mmxØ170mm±1mm	3500	4330	42W	103	30°
2181423 Raylan D34013_H80/4000/42W/80/A30/EM3H	D180xH159mmxØ170mm±1mm	4000	4455	42W	106	30°
2181425 Raylan D34013_H80/2700/42W/80/A45/EM3H	D180xH159mmxØ170mm±1mm	2700	4200	42W	100	45°
2181426 Raylan D34013_H80/3000/42W/80/A45/EM3H	D180xH159mmxØ170mm±1mm	3000	4200	42W	100	45°
2181427 Raylan D34013_H80/3500/42W/80/A45/EM3H	D180xH159mmxØ170mm±1mm	3500	4330	42W	103	45°
2181428 Raylan D34013_H80/4000/42W/80/A45/EM3H	D180xH159mmxØ170mm±1mm	4000	4455	42W	106	45°
<b>CRI 93</b>						
2181014 Raylan D34021/AGI4000/23W/93/A20/EM1H	D140xH115mmxØ130mm±1mm	AGI4000	1550	23W	68	20°
2181017 Raylan D34021/AGI4000/23W/93/A30/EM1H	D140xH115mmxØ130mm±1mm	AGI4000	1550	23W	68	30°
2181020 Raylan D34021/AGI4000/23W/93/A45/EM1H	D140xH115mmxØ130mm±1mm	AGI4000	1550	23W	68	45°
2181023 Raylan D34021/AGI4000/23W/93/A55/EM1H	D140xH115mmxØ130mm±1mm	AGI4000	1550	23W	68	55°
2181026 Raylan D34021/AGI4000/29W/93/A20/EM1H	D140xH115mmxØ130mm±1mm	AGI4000	1960	29W	68	20°
2181029 Raylan D34021/AGI4000/29W/93/A30/EM1H	D140xH115mmxØ130mm±1mm	AGI4000	1960	29W	68	30°
2181032 Raylan D34021/AGI4000/29W/93/A45/EM1H	D140xH115mmxØ130mm±1mm	AGI4000	1960	29W	68	45°
2181035 Raylan D34021/AGI4000/29W/93/A55/EM1H	D140xH115mmxØ130mm±1mm	AGI4000	1960	29W	68	55°
2181059 Raylan D34013/AGI4000/23W/93/A15/EM1H	D180xH124mmxØ170mm±1mm	AGI4000	1550	23W	68	15°
2181062 Raylan D34013/AGI4000/23W/93/A30/EM1H	D180xH124mmxØ170mm±1mm	AGI4000	1550	23W	68	30°

SKU SPECIFICATIONS

Product Code	Dimensions (mm)	CCT (K)	Lumens (lm)	Power (W)	Eff. (lm/watt)	Lens Angle (°)
<b>CRI 93</b>						
2181065 Raylan D34013/AGI4000/23W/93/A45/EM1H	D180xH124mmxØ170mm±1mm	AGI4000	1550	23W	68	45°
2181068 Raylan D34013/AGI4000/29W/93/A15/EM1H	D180xH124mmxØ170mm±1mm	AGI4000	1960	29W	68	15°
2181071 Raylan D34013/AGI4000/29W/93/A30/EM1H	D180xH124mmxØ170mm±1mm	AGI4000	1960	29W	68	30°
2181074 Raylan D34013/AGI4000/29W/93/A45/EM1H	D180xH124mmxØ170mm±1mm	AGI4000	1960	29W	68	45°
2181098 Raylan D34021/AGI4000/23W/93/A20/EM3H	D140xH115mmxØ130mm±1mm	AGI4000	1550	23W	68	20°
2181101 Raylan D34021/AGI4000/23W/93/A30/EM3H	D140xH115mmxØ130mm±1mm	AGI4000	1550	23W	68	30°
2181104 Raylan D34021/AGI4000/23W/93/A45/EM3H	D140xH115mmxØ130mm±1mm	AGI4000	1550	23W	68	45°
2181107 Raylan D34021/AGI4000/23W/93/A55/EM3H	D140xH115mmxØ130mm±1mm	AGI4000	1550	23W	68	55°
2181110 Raylan D34021/AGI4000/29W/93/A20/EM3H	D140xH115mmxØ130mm±1mm	AGI4000	1960	29W	68	20°
2181113 Raylan D34021/AGI4000/29W/93/A30/EM3H	D140xH115mmxØ130mm±1mm	AGI4000	1960	29W	68	30°
2181116 Raylan D34021/AGI4000/29W/93/A45/EM3H	D140xH115mmxØ130mm±1mm	AGI4000	1960	29W	68	45°
2181119 Raylan D34021/AGI4000/29W/93/A55/EM3H	D140xH115mmxØ130mm±1mm	AGI4000	1960	29W	68	55°
2181143 Raylan D34013/AGI4000/23W/93/A15/EM3H	D180xH124mmxØ170mm±1mm	AGI4000	1550	23W	68	15°
2181146 Raylan D34013/AGI4000/23W/93/A30/EM3H	D180xH124mmxØ170mm±1mm	AGI4000	1550	23W	68	30°
2181149 Raylan D34013/AGI4000/23W/93/A45/EM3H	D180xH124mmxØ170mm±1mm	AGI4000	1550	23W	68	45°
2181152 Raylan D34013/AGI4000/29W/93/A15/EM3H	D180xH124mmxØ170mm±1mm	AGI4000	1960	29W	68	15°
2181155 Raylan D34013/AGI4000/29W/93/A30/EM3H	D180xH124mmxØ170mm±1mm	AGI4000	1960	29W	68	30°
2181158 Raylan D34013/AGI4000/29W/93/A45/EM3H	D180xH124mmxØ170mm±1mm	AGI4000	1960	29W	68	45°
2181002 Raylan D34021/AGI4000/17W/93/A20/EM1H	D140xH115mmxØ130mm±1mm	AGI4000	1115	17W	66	20°
2181005 Raylan D34021/AGI4000/17W/93/A30/EM1H	D140xH115mmxØ130mm±1mm	AGI4000	1115	17W	66	30°
2181008 Raylan D34021/AGI4000/17W/93/A45/EM1H	D140xH115mmxØ130mm±1mm	AGI4000	1115	17W	66	45°
2181011 Raylan D34021/AGI4000/17W/93/A55/EM1H	D140xH115mmxØ130mm±1mm	AGI4000	1115	17W	66	55°
2181050 Raylan D34013/AGI4000/17W/93/A15/EM1H	D180xH124mmxØ170mm±1mm	AGI4000	1115	17W	66	15°
2181053 Raylan D34013/AGI4000/17W/93/A30/EM1H	D180xH124mmxØ170mm±1mm	AGI4000	1115	17W	66	30°
2181056 Raylan D34013/AGI4000/17W/93/A45/EM1H	D180xH124mmxØ170mm±1mm	AGI4000	1115	17W	66	45°
2181086 Raylan D34021/AGI4000/17W/93/A20/EM3H	D140xH115mmxØ130mm±1mm	AGI4000	1115	17W	66	20°
2181089 Raylan D34021/AGI4000/17W/93/A30/EM3H	D140xH115mmxØ130mm±1mm	AGI4000	1115	17W	66	30°
2181092 Raylan D34021/AGI4000/17W/93/A45/EM3H	D140xH115mmxØ130mm±1mm	AGI4000	1115	17W	66	45°
2181095 Raylan D34021/AGI4000/17W/93/A55/EM3H	D140xH115mmxØ130mm±1mm	AGI4000	1115	17W	66	55°
2181134 Raylan D34013/AGI4000/17W/93/A15/EM3H	D180xH124mmxØ170mm±1mm	AGI4000	1115	17W	66	15°
2181137 Raylan D34013/AGI4000/17W/93/A30/EM3H	D180xH124mmxØ170mm±1mm	AGI4000	1115	17W	66	30°
2181140 Raylan D34013/AGI4000/17W/93/A45/EM3H	D180xH124mmxØ170mm±1mm	AGI4000	1115	17W	66	45°
2181013 Raylan D34021/AGI3500/23W/93/A20/EM1H	D140xH115mmxØ130mm±1mm	AGI3500	1440	23W	63	20°
2181016 Raylan D34021/AGI3500/23W/93/A30/EM1H	D140xH115mmxØ130mm±1mm	AGI3500	1440	23W	63	30°
2181019 Raylan D34021/AGI3500/23W/93/A45/EM1H	D140xH115mmxØ130mm±1mm	AGI3500	1440	23W	63	45°
2181022 Raylan D34021/AGI3500/23W/93/A55/EM1H	D140xH115mmxØ130mm±1mm	AGI3500	1440	23W	63	55°
2181025 Raylan D34021/AGI3500/29W/93/A20/EM1H	D140xH115mmxØ130mm±1mm	AGI3500	1820	29W	63	20°
2181028 Raylan D34021/AGI3500/29W/93/A30/EM1H	D140xH115mmxØ130mm±1mm	AGI3500	1820	29W	63	30°
2181031 Raylan D34021/AGI3500/29W/93/A45/EM1H	D140xH115mmxØ130mm±1mm	AGI3500	1820	29W	63	45°
2181034 Raylan D34021/AGI3500/29W/93/A55/EM1H	D140xH115mmxØ130mm±1mm	AGI3500	1820	29W	63	55°
2181058 Raylan D34013/AGI3500/23W/93/A15/EM1H	D180xH124mmxØ170mm±1mm	AGI3500	1440	23W	63	15°
2181061 Raylan D34013/AGI3500/23W/93/A30/EM1H	D180xH124mmxØ170mm±1mm	AGI3500	1440	23W	63	30°
2181064 Raylan D34013/AGI3500/23W/93/A45/EM1H	D180xH124mmxØ170mm±1mm	AGI3500	1440	23W	63	45°
2181067 Raylan D34013/AGI3500/29W/93/A15/EM1H	D180xH124mmxØ170mm±1mm	AGI3500	1820	29W	63	15°
2181070 Raylan D34013/AGI3500/29W/93/A30/EM1H	D180xH124mmxØ170mm±1mm	AGI3500	1820	29W	63	30°
2181073 Raylan D34013/AGI3500/29W/93/A45/EM1H	D180xH124mmxØ170mm±1mm	AGI3500	1820	29W	63	45°
2181097 Raylan D34021/AGI3500/23W/93/A20/EM3H	D140xH115mmxØ130mm±1mm	AGI3500	1440	23W	63	20°
2181100 Raylan D34021/AGI3500/23W/93/A30/EM3H	D140xH115mmxØ130mm±1mm	AGI3500	1440	23W	63	30°
2181103 Raylan D34021/AGI3500/23W/93/A45/EM3H	D140xH115mmxØ130mm±1mm	AGI3500	1440	23W	63	45°
2181106 Raylan D34021/AGI3500/23W/93/A55/EM3H	D140xH115mmxØ130mm±1mm	AGI3500	1440	23W	63	55°

SKU SPECIFICATIONS

Product Code	Dimensions (mm)	CCT (K)	Lumens (lm)	Power (W)	Eff. (lm/watt)	Lens Angle (°)
<b>CRI 93</b>						
2181109 Raylan D34021/AGI3500/29W/93/A20/EM3H	D140xH115mmxØ130mm±1mm	AGI3500	1820	29W	63	20°
2181112 Raylan D34021/AGI3500/29W/93/A30/EM3H	D140xH115mmxØ130mm±1mm	AGI3500	1820	29W	63	30°
2181115 Raylan D34021/AGI3500/29W/93/A45/EM3H	D140xH115mmxØ130mm±1mm	AGI3500	1820	29W	63	45°
2181118 Raylan D34021/AGI3500/29W/93/A55/EM3H	D140xH115mmxØ130mm±1mm	AGI3500	1820	29W	63	55°
2181142 Raylan D34013/AGI3500/23W/93/A15/EM3H	D180xH124mmxØ170mm±1mm	AGI3500	1440	23W	63	15°
2181145 Raylan D34013/AGI3500/23W/93/A30/EM3H	D180xH124mmxØ170mm±1mm	AGI3500	1440	23W	63	30°
2181148 Raylan D34013/AGI3500/23W/93/A45/EM3H	D180xH124mmxØ170mm±1mm	AGI3500	1440	23W	63	45°
2181151 Raylan D34013/AGI3500/29W/93/A15/EM3H	D180xH124mmxØ170mm±1mm	AGI3500	1820	29W	63	15°
2181154 Raylan D34013/AGI3500/29W/93/A30/EM3H	D180xH124mmxØ170mm±1mm	AGI3500	1820	29W	63	30°
2181157 Raylan D34013/AGI3500/29W/93/A45/EM3H	D180xH124mmxØ170mm±1mm	AGI3500	1820	29W	63	45°
2181001 Raylan D34021/AGI3500/17W/93/A20/EM1H	D140xH115mmxØ130mm±1mm	AGI3500	1050	17W	62	20°
2181004 Raylan D34021/AGI3500/17W/93/A30/EM1H	D140xH115mmxØ130mm±1mm	AGI3500	1050	17W	62	30°
2181007 Raylan D34021/AGI3500/17W/93/A45/EM1H	D140xH115mmxØ130mm±1mm	AGI3500	1050	17W	62	45°
2181010 Raylan D34021/AGI3500/17W/93/A55/EM1H	D140xH115mmxØ130mm±1mm	AGI3500	1050	17W	62	55°
2181038 Raylan D34021/AGI4000/34W/93/A20/EM1H	D140xH115mmxØ130mm±1mm	AGI4000	2095	34W	62	20°
2181041 Raylan D34021/AGI4000/34W/93/A30/EM1H	D140xH115mmxØ130mm±1mm	AGI4000	2095	34W	62	30°
2181044 Raylan D34021/AGI4000/34W/93/A45/EM1H	D140xH115mmxØ130mm±1mm	AGI4000	2095	34W	62	45°
2181047 Raylan D34021/AGI4000/34W/93/A55/EM1H	D140xH115mmxØ130mm±1mm	AGI4000	2095	34W	62	55°
2181049 Raylan D34013/AGI3500/17W/93/A15/EM1H	D180xH124mmxØ170mm±1mm	AGI3500	1050	17W	62	15°
2181052 Raylan D34013/AGI3500/17W/93/A30/EM1H	D180xH124mmxØ170mm±1mm	AGI3500	1050	17W	62	30°
2181055 Raylan D34013/AGI3500/17W/93/A45/EM1H	D180xH124mmxØ170mm±1mm	AGI3500	1050	17W	62	45°
2181077 Raylan D34013/AGI4000/34W/93/A15/EM1H	D180xH124mmxØ170mm±1mm	AGI4000	2095	34W	62	15°
2181080 Raylan D34013/AGI4000/34W/93/A30/EM1H	D180xH124mmxØ170mm±1mm	AGI4000	2095	34W	62	30°
2181083 Raylan D34013/AGI4000/34W/93/A45/EM1H	D180xH124mmxØ170mm±1mm	AGI4000	2095	34W	62	45°
2181085 Raylan D34021/AGI3500/17W/93/A20/EM3H	D140xH115mmxØ130mm±1mm	AGI3500	1050	17W	62	20°
2181088 Raylan D34021/AGI3500/17W/93/A30/EM3H	D140xH115mmxØ130mm±1mm	AGI3500	1050	17W	62	30°
2181091 Raylan D34021/AGI3500/17W/93/A45/EM3H	D140xH115mmxØ130mm±1mm	AGI3500	1050	17W	62	45°
2181094 Raylan D34021/AGI3500/17W/93/A55/EM3H	D140xH115mmxØ130mm±1mm	AGI3500	1050	17W	62	55°
2181122 Raylan D34021/AGI4000/34W/93/A20/EM3H	D140xH115mmxØ130mm±1mm	AGI4000	2095	34W	62	20°
2181125 Raylan D34021/AGI4000/34W/93/A30/EM3H	D140xH115mmxØ130mm±1mm	AGI4000	2095	34W	62	30°
2181128 Raylan D34021/AGI4000/34W/93/A45/EM3H	D140xH115mmxØ130mm±1mm	AGI4000	2095	34W	62	45°
2181131 Raylan D34021/AGI4000/34W/93/A55/EM3H	D140xH115mmxØ130mm±1mm	AGI4000	2095	34W	62	55°
2181133 Raylan D34013/AGI3500/17W/93/A15/EM3H	D180xH124mmxØ170mm±1mm	AGI3500	1050	17W	62	15°
2181136 Raylan D34013/AGI3500/17W/93/A30/EM3H	D180xH124mmxØ170mm±1mm	AGI3500	1050	17W	62	30°
2181139 Raylan D34013/AGI3500/17W/93/A45/EM3H	D180xH124mmxØ170mm±1mm	AGI3500	1050	17W	62	45°
2181161 Raylan D34013/AGI4000/34W/93/A15/EM3H	D180xH124mmxØ170mm±1mm	AGI4000	2095	34W	62	15°
2181164 Raylan D34013/AGI4000/34W/93/A30/EM3H	D180xH124mmxØ170mm±1mm	AGI4000	2095	34W	62	30°
2181167 Raylan D34013/AGI4000/34W/93/A45/EM3H	D180xH124mmxØ170mm±1mm	AGI4000	2095	34W	62	45°
2181037 Raylan D34021/AGI3500/34W/93/A20/EM1H	D140xH115mmxØ130mm±1mm	AGI3500	1995	34W	59	20°
2181040 Raylan D34021/AGI3500/34W/93/A30/EM1H	D140xH115mmxØ130mm±1mm	AGI3500	1995	34W	59	30°
2181043 Raylan D34021/AGI3500/34W/93/A45/EM1H	D140xH115mmxØ130mm±1mm	AGI3500	1995	34W	59	45°
2181046 Raylan D34021/AGI3500/34W/93/A55/EM1H	D140xH115mmxØ130mm±1mm	AGI3500	1995	34W	59	55°
2181076 Raylan D34013/AGI3500/34W/93/A15/EM1H	D180xH124mmxØ170mm±1mm	AGI3500	1995	34W	59	15°
2181079 Raylan D34013/AGI3500/34W/93/A30/EM1H	D180xH124mmxØ170mm±1mm	AGI3500	1995	34W	59	30°
2181082 Raylan D34013/AGI3500/34W/93/A45/EM1H	D180xH124mmxØ170mm±1mm	AGI3500	1995	34W	59	45°
2181121 Raylan D34021/AGI3500/34W/93/A20/EM3H	D140xH115mmxØ130mm±1mm	AGI3500	1995	34W	59	20°
2181124 Raylan D34021/AGI3500/34W/93/A30/EM3H	D140xH115mmxØ130mm±1mm	AGI3500	1995	34W	59	30°
2181127 Raylan D34021/AGI3500/34W/93/A45/EM3H	D140xH115mmxØ130mm±1mm	AGI3500	1995	34W	59	45°
2181130 Raylan D34021/AGI3500/34W/93/A55/EM3H	D140xH115mmxØ130mm±1mm	AGI3500	1995	34W	59	55°
2181160 Raylan D34013/AGI3500/34W/93/A15/EM3H	D180xH124mmxØ170mm±1mm	AGI3500	1995	34W	59	15°

SKU SPECIFICATIONS

Product Code	Dimensions (mm)	CCT (K)	Lumens (lm)	Power (W)	Eff. (lm/watt)	Lens Angle (°)
<b>CRI 93</b>						
2181163 Raylan D34013/AGI3500/34W/93/A30/EM3H	D180xH124mmxØ170mm±1mm	AGI3500	1995	34W	59	30°
2181166 Raylan D34013/AGI3500/34W/93/A45/EM3H	D180xH124mmxØ170mm±1mm	AGI3500	1995	34W	59	45°
2181000 Raylan D34021/AGI3000/17W/93/A20/EM1H	D140xH115mmxØ130mm±1mm	AGI3000	985	17W	58	20°
2181003 Raylan D34021/AGI3000/17W/93/A30/EM1H	D140xH115mmxØ130mm±1mm	AGI3000	985	17W	58	30°
2181006 Raylan D34021/AGI3000/17W/93/A45/EM1H	D140xH115mmxØ130mm±1mm	AGI3000	985	17W	58	45°
2181009 Raylan D34021/AGI3000/17W/93/A55/EM1H	D140xH115mmxØ130mm±1mm	AGI3000	985	17W	58	55°
2181012 Raylan D34021/AGI3000/23W/93/A20/EM1H	D140xH115mmxØ130mm±1mm	AGI3000	1330	23W	58	20°
2181015 Raylan D34021/AGI3000/23W/93/A30/EM1H	D140xH115mmxØ130mm±1mm	AGI3000	1330	23W	58	30°
2181018 Raylan D34021/AGI3000/23W/93/A45/EM1H	D140xH115mmxØ130mm±1mm	AGI3000	1330	23W	58	45°
2181021 Raylan D34021/AGI3000/23W/93/A55/EM1H	D140xH115mmxØ130mm±1mm	AGI3000	1330	23W	58	55°
2181024 Raylan D34021/AGI3000/29W/93/A20/EM1H	D140xH115mmxØ130mm±1mm	AGI3000	1680	29W	58	20°
2181027 Raylan D34021/AGI3000/29W/93/A30/EM1H	D140xH115mmxØ130mm±1mm	AGI3000	1680	29W	58	30°
2181030 Raylan D34021/AGI3000/29W/93/A45/EM1H	D140xH115mmxØ130mm±1mm	AGI3000	1680	29W	58	45°
2181033 Raylan D34021/AGI3000/29W/93/A55/EM1H	D140xH115mmxØ130mm±1mm	AGI3000	1680	29W	58	55°
2181048 Raylan D34013/AGI3000/17W/93/A15/EM1H	D180xH124mmxØ170mm±1mm	AGI3000	985	17W	58	15°
2181051 Raylan D34013/AGI3000/17W/93/A30/EM1H	D180xH124mmxØ170mm±1mm	AGI3000	985	17W	58	30°
2181054 Raylan D34013/AGI3000/17W/93/A45/EM1H	D180xH124mmxØ170mm±1mm	AGI3000	985	17W	58	45°
2181057 Raylan D34013/AGI3000/23W/93/A15/EM1H	D180xH124mmxØ170mm±1mm	AGI3000	1330	23W	58	15°
2181060 Raylan D34013/AGI3000/23W/93/A30/EM1H	D180xH124mmxØ170mm±1mm	AGI3000	1330	23W	58	30°
2181063 Raylan D34013/AGI3000/23W/93/A45/EM1H	D180xH124mmxØ170mm±1mm	AGI3000	1330	23W	58	45°
2181066 Raylan D34013/AGI3000/29W/93/A15/EM1H	D180xH124mmxØ170mm±1mm	AGI3000	1680	29W	58	15°
2181069 Raylan D34013/AGI3000/29W/93/A30/EM1H	D180xH124mmxØ170mm±1mm	AGI3000	1680	29W	58	30°
2181072 Raylan D34013/AGI3000/29W/93/A45/EM1H	D180xH124mmxØ170mm±1mm	AGI3000	1680	29W	58	45°
2181084 Raylan D34021/AGI3000/17W/93/A20/EM3H	D140xH115mmxØ130mm±1mm	AGI3000	985	17W	58	20°
2181087 Raylan D34021/AGI3000/17W/93/A30/EM3H	D140xH115mmxØ130mm±1mm	AGI3000	985	17W	58	30°
2181090 Raylan D34021/AGI3000/17W/93/A45/EM3H	D140xH115mmxØ130mm±1mm	AGI3000	985	17W	58	45°
2181093 Raylan D34021/AGI3000/17W/93/A55/EM3H	D140xH115mmxØ130mm±1mm	AGI3000	985	17W	58	55°
2181096 Raylan D34021/AGI3000/23W/93/A20/EM3H	D140xH115mmxØ130mm±1mm	AGI3000	1330	23W	58	20°
2181099 Raylan D34021/AGI3000/23W/93/A30/EM3H	D140xH115mmxØ130mm±1mm	AGI3000	1330	23W	58	30°
2181102 Raylan D34021/AGI3000/23W/93/A45/EM3H	D140xH115mmxØ130mm±1mm	AGI3000	1330	23W	58	45°
2181105 Raylan D34021/AGI3000/23W/93/A55/EM3H	D140xH115mmxØ130mm±1mm	AGI3000	1330	23W	58	55°
2181108 Raylan D34021/AGI3000/29W/93/A20/EM3H	D140xH115mmxØ130mm±1mm	AGI3000	1680	29W	58	20°
2181111 Raylan D34021/AGI3000/29W/93/A30/EM3H	D140xH115mmxØ130mm±1mm	AGI3000	1680	29W	58	30°
2181114 Raylan D34021/AGI3000/29W/93/A45/EM3H	D140xH115mmxØ130mm±1mm	AGI3000	1680	29W	58	45°
2181117 Raylan D34021/AGI3000/29W/93/A55/EM3H	D140xH115mmxØ130mm±1mm	AGI3000	1680	29W	58	55°
2181132 Raylan D34013/AGI3000/17W/93/A15/EM3H	D180xH124mmxØ170mm±1mm	AGI3000	985	17W	58	15°
2181135 Raylan D34013/AGI3000/17W/93/A30/EM3H	D180xH124mmxØ170mm±1mm	AGI3000	985	17W	58	30°
2181138 Raylan D34013/AGI3000/17W/93/A45/EM3H	D180xH124mmxØ170mm±1mm	AGI3000	985	17W	58	45°
2181141 Raylan D34013/AGI3000/23W/93/A15/EM3H	D180xH124mmxØ170mm±1mm	AGI3000	1330	23W	58	15°
2181144 Raylan D34013/AGI3000/23W/93/A30/EM3H	D180xH124mmxØ170mm±1mm	AGI3000	1330	23W	58	30°
2181147 Raylan D34013/AGI3000/23W/93/A45/EM3H	D180xH124mmxØ170mm±1mm	AGI3000	1330	23W	58	45°
2181150 Raylan D34013/AGI3000/29W/93/A15/EM3H	D180xH124mmxØ170mm±1mm	AGI3000	1680	29W	58	15°
2181153 Raylan D34013/AGI3000/29W/93/A30/EM3H	D180xH124mmxØ170mm±1mm	AGI3000	1680	29W	58	30°
2181156 Raylan D34013/AGI3000/29W/93/A45/EM3H	D180xH124mmxØ170mm±1mm	AGI3000	1680	29W	58	45°
2181036 Raylan D34021/AGI3000/34W/93/A20/EM1H	D140xH115mmxØ130mm±1mm	AGI3000	1900	34W	56	20°
2181039 Raylan D34021/AGI3000/34W/93/A30/EM1H	D140xH115mmxØ130mm±1mm	AGI3000	1900	34W	56	30°
2181042 Raylan D34021/AGI3000/34W/93/A45/EM1H	D140xH115mmxØ130mm±1mm	AGI3000	1900	34W	56	45°
2181045 Raylan D34021/AGI3000/34W/93/A55/EM1H	D140xH115mmxØ130mm±1mm	AGI3000	1900	34W	56	55°
2181075 Raylan D34013/AGI3000/34W/93/A15/EM1H	D180xH124mmxØ170mm±1mm	AGI3000	1900	34W	56	15°
2181078 Raylan D34013/AGI3000/34W/93/A30/EM1H	D180xH124mmxØ170mm±1mm	AGI3000	1900	34W	56	30°

SKU SPECIFICATIONS

Product Code	Dimensions (mm)	CCT (K)	Lumens (lm)	Power (W)	Eff. (lm/watt)	Lens Angle (°)
<b>CRI 93</b>						
2181081 Raylan D34013/AGI3000/34W/93/A45/EM1H	D180xH124mmxØ170mm±1mm	AGI3000	1900	34W	56	45°
2181120 Raylan D34021/AGI3000/34W/93/A20/EM3H	D140xH115mmxØ130mm±1mm	AGI3000	1900	34W	56	20°
2181123 Raylan D34021/AGI3000/34W/93/A30/EM3H	D140xH115mmxØ130mm±1mm	AGI3000	1900	34W	56	30°
2181126 Raylan D34021/AGI3000/34W/93/A45/EM3H	D140xH115mmxØ130mm±1mm	AGI3000	1900	34W	56	45°
2181129 Raylan D34021/AGI3000/34W/93/A55/EM3H	D140xH115mmxØ130mm±1mm	AGI3000	1900	34W	56	55°
2181159 Raylan D34013/AGI3000/34W/93/A15/EM3H	D180xH124mmxØ170mm±1mm	AGI3000	1900	34W	56	15°
2181162 Raylan D34013/AGI3000/34W/93/A30/EM3H	D180xH124mmxØ170mm±1mm	AGI3000	1900	34W	56	30°
2181165 Raylan D34013/AGI3000/34W/93/A45/EM3H	D180xH124mmxØ170mm±1mm	AGI3000	1900	34W	56	45°
<b>CRI 95</b>						
218406 Raylan D34021/FAS/14W/95/A20/EM1H	D140xH115mmxØ130mm±1mm	FAS	1145	14W	82	20°
218407 Raylan D34021/FAS/14W/95/A30/EM1H	D140xH115mmxØ130mm±1mm	FAS	1145	14W	82	30°
218408 Raylan D34021/FAS/14W/95/A45/EM1H	D140xH115mmxØ130mm±1mm	FAS	1145	14W	82	45°
218409 Raylan D34021/FAS/14W/95/A55/EM1H	D140xH115mmxØ130mm±1mm	FAS	1145	14W	82	55°
218422 Raylan D34013/FAS/14W/95/A15/EM1H	D180xH124mmxØ170mm±1mm	FAS	1145	14W	82	15°
218423 Raylan D34013/FAS/14W/95/A30/EM1H	D180xH124mmxØ170mm±1mm	FAS	1145	14W	82	30°
218424 Raylan D34013/FAS/14W/95/A45/EM1H	D180xH124mmxØ170mm±1mm	FAS	1145	14W	82	45°
218672 Raylan D34021/FAS/14W/95/A20/EM3H	D140xH115mmxØ130mm±1mm	FAS	1145	14W	82	20°
218673 Raylan D34021/FAS/14W/95/A30/EM3H	D140xH115mmxØ130mm±1mm	FAS	1145	14W	82	30°
218674 Raylan D34021/FAS/14W/95/A45/EM3H	D140xH115mmxØ130mm±1mm	FAS	1145	14W	82	45°
218675 Raylan D34021/FAS/14W/95/A55/EM3H	D140xH115mmxØ130mm±1mm	FAS	1145	14W	82	55°
218688 Raylan D34013/FAS/14W/95/A15/EM3H	D180xH124mmxØ170mm±1mm	FAS	1145	14W	82	15°
218689 Raylan D34013/FAS/14W/95/A30/EM3H	D180xH124mmxØ170mm±1mm	FAS	1145	14W	82	30°
218690 Raylan D34013/FAS/14W/95/A45/EM3H	D180xH124mmxØ170mm±1mm	FAS	1145	14W	82	45°
218414 Raylan D34021/FAS/27W/95/A20/EM1H	D140xH115mmxØ130mm±1mm	FAS	2080	27W	78	20°
218415 Raylan D34021/FAS/27W/95/A30/EM1H	D140xH115mmxØ130mm±1mm	FAS	2080	27W	78	30°
218416 Raylan D34021/FAS/27W/95/A45/EM1H	D140xH115mmxØ130mm±1mm	FAS	2080	27W	78	45°
218417 Raylan D34021/FAS/27W/95/A55/EM1H	D140xH115mmxØ130mm±1mm	FAS	2080	27W	78	55°
218428 Raylan D34013/FAS/27W/95/A15/EM1H	D180xH124mmxØ170mm±1mm	FAS	2080	27W	78	15°
218429 Raylan D34013/FAS/27W/95/A30/EM1H	D180xH124mmxØ170mm±1mm	FAS	2080	27W	78	30°
218430 Raylan D34013/FAS/27W/95/A45/EM1H	D180xH124mmxØ170mm±1mm	FAS	2080	27W	78	45°
218680 Raylan D34021/FAS/27W/95/A20/EM3H	D140xH115mmxØ130mm±1mm	FAS	2080	27W	78	20°
218681 Raylan D34021/FAS/27W/95/A30/EM3H	D140xH115mmxØ130mm±1mm	FAS	2080	27W	78	30°
218682 Raylan D34021/FAS/27W/95/A45/EM3H	D140xH115mmxØ130mm±1mm	FAS	2080	27W	78	45°
218683 Raylan D34021/FAS/27W/95/A55/EM3H	D140xH115mmxØ130mm±1mm	FAS	2080	27W	78	55°
218694 Raylan D34013/FAS/27W/95/A15/EM3H	D180xH124mmxØ170mm±1mm	FAS	2080	27W	78	15°
218695 Raylan D34013/FAS/27W/95/A30/EM3H	D180xH124mmxØ170mm±1mm	FAS	2080	27W	78	30°
218696 Raylan D34013/FAS/27W/95/A45/EM3H	D180xH124mmxØ170mm±1mm	FAS	2080	27W	78	45°
218410 Raylan D34021/FAS/20W/95/A20/EM1H	D140xH115mmxØ130mm±1mm	FAS	1510	20W	76	20°
218411 Raylan D34021/FAS/20W/95/A30/EM1H	D140xH115mmxØ130mm±1mm	FAS	1510	20W	76	30°
218412 Raylan D34021/FAS/20W/95/A45/EM1H	D140xH115mmxØ130mm±1mm	FAS	1510	20W	76	45°
218413 Raylan D34021/FAS/20W/95/A55/EM1H	D140xH115mmxØ130mm±1mm	FAS	1510	20W	76	55°
218425 Raylan D34013/FAS/20W/95/A15/EM1H	D180xH124mmxØ170mm±1mm	FAS	1510	20W	76	15°
218426 Raylan D34013/FAS/20W/95/A30/EM1H	D180xH124mmxØ170mm±1mm	FAS	1510	20W	76	30°
218427 Raylan D34013/FAS/20W/95/A45/EM1H	D180xH124mmxØ170mm±1mm	FAS	1510	20W	76	45°
218676 Raylan D34021/FAS/20W/95/A20/EM3H	D140xH115mmxØ130mm±1mm	FAS	1510	20W	76	20°
218677 Raylan D34021/FAS/20W/95/A30/EM3H	D140xH115mmxØ130mm±1mm	FAS	1510	20W	76	30°
218678 Raylan D34021/FAS/20W/95/A45/EM3H	D140xH115mmxØ130mm±1mm	FAS	1510	20W	76	45°
218679 Raylan D34021/FAS/20W/95/A55/EM3H	D140xH115mmxØ130mm±1mm	FAS	1510	20W	76	55°
218691 Raylan D34013/FAS/20W/95/A15/EM3H	D180xH124mmxØ170mm±1mm	FAS	1510	20W	76	15°

SKU SPECIFICATIONS

Product Code	Dimensions (mm)	CCT (K)	Lumens (lm)	Power (W)	Eff. (lm/watt)	Lens Angle (°)
<b>CRI 95</b>						
218692 Raylan D34013/FAS/20W/95/A30/EM3H	D180xH124mmxØ170mm±1mm	FAS	1510	20W	76	30°
218693 Raylan D34013/FAS/20W/95/A45/EM3H	D180xH124mmxØ170mm±1mm	FAS	1510	20W	76	45°
218418 Raylan D34021/FAS/35W/95/A20/EM1H	D140xH115mmxØ130mm±1mm	FAS	2535	35W	73	20°
218419 Raylan D34021/FAS/35W/95/A30/EM1H	D140xH115mmxØ130mm±1mm	FAS	2535	35W	73	30°
218420 Raylan D34021/FAS/35W/95/A45/EM1H	D140xH115mmxØ130mm±1mm	FAS	2535	35W	73	45°
218421 Raylan D34021/FAS/35W/95/A55/EM1H	D140xH115mmxØ130mm±1mm	FAS	2535	35W	73	55°
218431 Raylan D34013/FAS/35W/95/A15/EM1H	D180xH124mmxØ170mm±1mm	FAS	2535	35W	73	15°
218432 Raylan D34013/FAS/35W/95/A30/EM1H	D180xH124mmxØ170mm±1mm	FAS	2535	35W	73	30°
218433 Raylan D34013/FAS/35W/95/A45/EM1H	D180xH124mmxØ170mm±1mm	FAS	2535	35W	73	45°
218684 Raylan D34021/FAS/35W/95/A20/EM3H	D140xH115mmxØ130mm±1mm	FAS	2535	35W	73	20°
218685 Raylan D34021/FAS/35W/95/A30/EM3H	D140xH115mmxØ130mm±1mm	FAS	2535	35W	73	30°
218686 Raylan D34021/FAS/35W/95/A45/EM3H	D140xH115mmxØ130mm±1mm	FAS	2535	35W	73	45°
218687 Raylan D34021/FAS/35W/95/A55/EM3H	D140xH115mmxØ130mm±1mm	FAS	2535	35W	73	55°
218697 Raylan D34013/FAS/35W/95/A15/EM3H	D180xH124mmxØ170mm±1mm	FAS	2535	35W	73	15°
218698 Raylan D34013/FAS/35W/95/A30/EM3H	D180xH124mmxØ170mm±1mm	FAS	2535	35W	73	30°
218699 Raylan D34013/FAS/35W/95/A45/EM3H	D180xH124mmxØ170mm±1mm	FAS	2535	35W	73	45°
<b>CRI 98</b>						
218512 Raylan D34021/ART3000/27W/98/A20/EM1H	D140xH115mmxØ130mm±1mm	ART3000	1995	27W	74	20°
218513 Raylan D34021/ART3000/27W/98/A30/EM1H	D140xH115mmxØ130mm±1mm	ART3000	1995	27W	74	30°
218514 Raylan D34021/ART3000/27W/98/A45/EM1H	D140xH115mmxØ130mm±1mm	ART3000	1995	27W	74	45°
218515 Raylan D34021/ART3000/27W/98/A55/EM1H	D140xH115mmxØ130mm±1mm	ART3000	1995	27W	74	55°
218526 Raylan D34013/ART3000/27W/98/A15/EM1H	D180xH124mmxØ170mm±1mm	ART3000	1995	27W	74	15°
218527 Raylan D34013/ART3000/27W/98/A30/EM1H	D180xH124mmxØ170mm±1mm	ART3000	1995	27W	74	30°
218528 Raylan D34013/ART3000/27W/98/A45/EM1H	D180xH124mmxØ170mm±1mm	ART3000	1995	27W	74	45°
218778 Raylan D34021/ART3000/27W/98/A20/EM3H	D140xH115mmxØ130mm±1mm	ART3000	1995	27W	74	20°
218779 Raylan D34021/ART3000/27W/98/A30/EM3H	D140xH115mmxØ130mm±1mm	ART3000	1995	27W	74	30°
218780 Raylan D34021/ART3000/27W/98/A45/EM3H	D140xH115mmxØ130mm±1mm	ART3000	1995	27W	74	45°
218781 Raylan D34021/ART3000/27W/98/A55/EM3H	D140xH115mmxØ130mm±1mm	ART3000	1995	27W	74	55°
218792 Raylan D34013/ART3000/27W/98/A15/EM3H	D180xH124mmxØ170mm±1mm	ART3000	1995	27W	74	15°
218793 Raylan D34013/ART3000/27W/98/A30/EM3H	D180xH124mmxØ170mm±1mm	ART3000	1995	27W	74	30°
218794 Raylan D34013/ART3000/27W/98/A45/EM3H	D180xH124mmxØ170mm±1mm	ART3000	1995	27W	74	45°
218516 Raylan D34021/ART3000/35W/98/A20/EM1H	D140xH115mmxØ130mm±1mm	ART3000	2425	35W	70	20°
218517 Raylan D34021/ART3000/35W/98/A30/EM1H	D140xH115mmxØ130mm±1mm	ART3000	2425	35W	70	30°
218518 Raylan D34021/ART3000/35W/98/A45/EM1H	D140xH115mmxØ130mm±1mm	ART3000	2425	35W	70	45°
218519 Raylan D34021/ART3000/35W/98/A55/EM1H	D140xH115mmxØ130mm±1mm	ART3000	2425	35W	70	55°
218529 Raylan D34013/ART3000/35W/98/A15/EM1H	D180xH124mmxØ170mm±1mm	ART3000	2425	35W	70	15°
218530 Raylan D34013/ART3000/35W/98/A30/EM1H	D180xH124mmxØ170mm±1mm	ART3000	2425	35W	70	30°
218531 Raylan D34013/ART3000/35W/98/A45/EM1H	D180xH124mmxØ170mm±1mm	ART3000	2425	35W	70	45°
218782 Raylan D34021/ART3000/35W/98/A20/EM3H	D140xH115mmxØ130mm±1mm	ART3000	2425	35W	70	20°
218783 Raylan D34021/ART3000/35W/98/A30/EM3H	D140xH115mmxØ130mm±1mm	ART3000	2425	35W	70	30°
218784 Raylan D34021/ART3000/35W/98/A45/EM3H	D140xH115mmxØ130mm±1mm	ART3000	2425	35W	70	45°
218785 Raylan D34021/ART3000/35W/98/A55/EM3H	D140xH115mmxØ130mm±1mm	ART3000	2425	35W	70	55°
218795 Raylan D34013/ART3000/35W/98/A15/EM3H	D180xH124mmxØ170mm±1mm	ART3000	2425	35W	70	15°
218796 Raylan D34013/ART3000/35W/98/A30/EM3H	D180xH124mmxØ170mm±1mm	ART3000	2425	35W	70	30°
218797 Raylan D34013/ART3000/35W/98/A45/EM3H	D180xH124mmxØ170mm±1mm	ART3000	2425	35W	70	45°

Technical specifications can be modified without prior notice. All information is property of Greentek Lighting.  
 The presentation picture is for information purposes only. Latest document update: August 1, 2018 4:32 PM. [www.greentek.eu](http://www.greentek.eu)