



## Raylan

### RECESSED DIRECTIONAL SPOTLIGHTS | TEC EM

Discreet recessed spotlight suitable for low ceilings or for changing rooms where you need precise lightning effects. The spotlight smoothly blends into the general interior design and highlights the architectural features, providing a subtle yet precise illumination. Round diffusor for brilliant accent lighting in the shops and retail sectors.

Sleek aluminum housing with glass front face comes in three colors - signal white, jet black and white aluminum – for a perfect blend with the environment.

Raylan spotlight come in several series, with various add-on and controls:

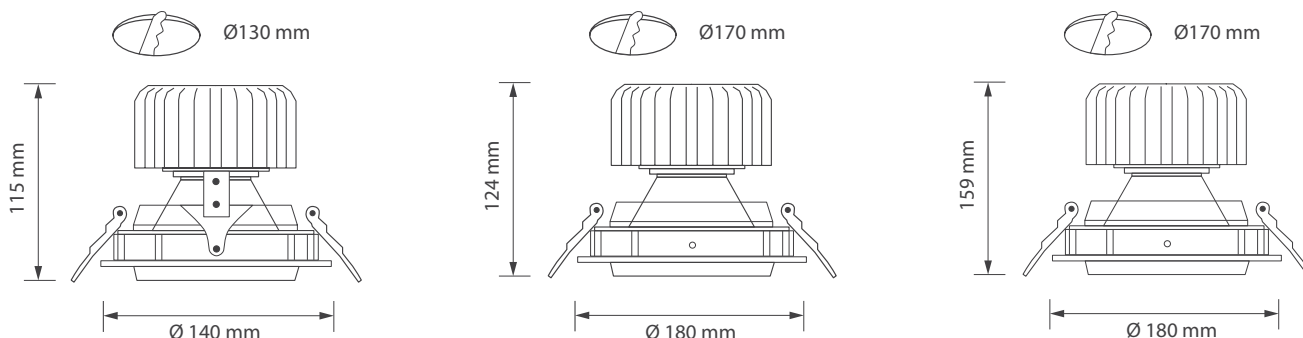
- Raylan TEC – the standard for any project in the retail and offices sectors
- Raylan ECO-DALI – with DALI controls for dimming
- **Raylan TEC EM – with emergency lighting kit**
- Raylan ECO- DALI EM – with both dimming and emergency kit

### APPLICATION

Supermarket | Fashion | Retail | Hospitality | Exhibition | Arhitectural

### FEATURES & BENEFITS

- CRI > 80 as standard, up to 98 for certain special color
- 16 color temperatures, including 11 specialized options for food, fashion, art, hospitality and AGI light
- Great variety of optics – 5 angles from narrow beams to flood beams
- Luminaire efficiency: 117lm/W @4000K
- Dimmable (for ECO Series)



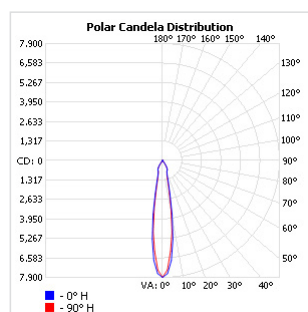
SPECIFICATIONS

Power consumption	14W, 17W, 20W, 23W, 27W, 29W, 34W, 35W, 42W		
Dimensions	D140xH115mmxØ130mm±1mm	D180xH124mmxØ170mm±1mm	D180xH159mmxØ170mm±1mm
Weight	1.5 - 1.8 Kg	1.6 - 2 Kg	1.6 - 2 Kg
Housing materials	Aluminium, glass		
IK code	IK02		
THD (at 230V, 50Hz, Full load)	<20%		
Protection class	Safety class 1		
Operating temperature [°C]	+5°C ... +40°C / +41F ... +104F		
Operating humidity [%]	10 ÷ 85		
Power factor	≥0.95		
AC Input [Vac]	220 - 240 VAC		
Lens angle [°]	15°, 20°, 30°, 45°, 55°		
Lifespan [h]	50,000		
Housing color	○ RAL 9003 - Signal White, ● RAL 9005 - Jet Black, ● RAL 9006 - White Aluminium		
Lumen maintenance	L90/B10@50,000h at 25°C		
IP factor (general)	IP20		
Control option	For more information please see <b>Raylan ECO-DALI EM</b> datasheet		
Warranty [years]	5		
Storage temperature range [°C]	+5°C ... +25°C / +41F ... +77F		
Emergency option	EM1H, EM3H		

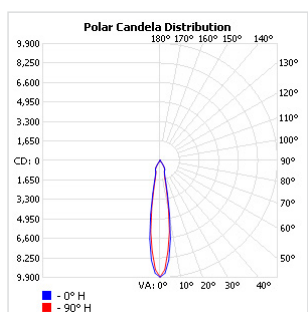
#	Standard	Food	Fashion	ENT / AGI	Enhanced	ART	AMB	SUNSET
CRI	CRI80	CRI80	CRI95	CRI90 & CRI 97 / CRI93	CRI90 / CRI95	CRI98	CRI80	CRI90
CCT [K]	2700 / 3000 / 3500 / 4000	BVF / FBS / FZM / FSM / FSH	FAS	5600 / AGI3000, 3500, 4000	2700/3000/3500/4000	3000	2200	1800...2700
MacAdam	3	3 / 4 / 4 / 3 / 3	3	3	2	2	3	3

CRI - Color rendering, CCT - Color temperature, MacAdam - Color consistency

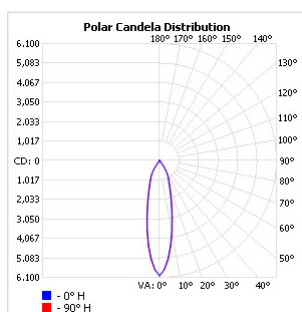
LIGHT DISTRIBUTION



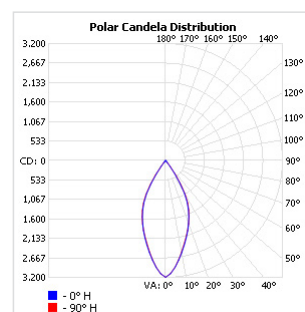
15°



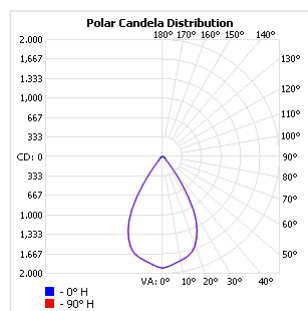
20°



30°



45°



55°

**TOLERANCES**

**Luminous flux tolerances:** -/+ 5%

**Consumption tolerance:** -/+ 5% for TEC | -/+ 10% for TEC & KIT EM | -/+ 10% for ECO-DALI | -/+ 15% for ECO-DALI & KIT EM

**BATTERY WARRANTY**

**TEC EM & ECO EM:** 12 months warranty

**TEC & ECO:** -

**MAXIMUM NO. OF LUMINAIRES ON A CIRCUIT**

Power	Control type	Circuit Breaker Type						
		Amperage	B			C		
			20	16	10	20	16	10
12-21W	TEC		62	50	31	104	85	52
23-35W	TEC		30	24	14	51	40	24
42W	TEC		20	16	8	38	32	16
50W	TEC		18	15	7	35	29	15
12-14W	ECO		44	35	21	73	58	35
16-21W	ECO		40	32	18	66	53	30
23-42W	ECO		28	22	13	46	36	21
50W	ECO		21	16	10	35	26	16

**RISK GROUP**

<b>Standard (CRI80)</b>	RG1
<b>FOOD (BVF, FBS, FSM)</b>	RG1
<b>FOOD &lt;20W (FZM, FSH)</b>	RG2 (dthr=1.8m)
<b>FOOD &gt;20W (FZM, FSH)</b>	RG2 (dthr=2.2m)
<b>FAS</b>	RG1
<b>AMB2200</b>	RG1
<b>ART</b>	RG1
<b>AGI</b>	RG1
<b>CRI90</b>	RG1
<b>CRI95</b>	RG1
<b>SUNSET</b>	RG1
<b>ENT</b>	RG1

**RG1**

The evaluation of photobiological safety is carried out according to the standard IEC 62471:2008 ("Photobiological safety of lamps and lamp systems"). Following the definition of the risk grouping system of the mentioned IEC standard, the LEDs mounted on this family fall into the class "Low Risk (RG1 - No photobiological hazard under normal behavioral limitations)". Under real circumstances (regarding exposure time, pupils, observation distance), it is assumed that there is no endangerment to the eye from these devices. As a matter of principle, however, it should be mentioned that intense light sources have a high secondary exposure potential due to their blinding effect.

**RG2**

The evaluation of photobiological safety is carried out according to the standard IEC 62471:2008 ("Photobiological safety of lamps and lamp systems"). Following the definition of the risk grouping system of the mentioned IEC standard, the LEDs mounted on this family fall into the class "Moderate Risk (RG2)". Under real circumstances (regarding exposure time, pupils, observation distance), it is assumed that there is no endangerment to the eye from these devices. As a matter of principle, however, it should be mentioned that intense light sources have a high secondary exposure potential due to their blinding effect.

SKU SPECIFICATIONS

Product Code	Dimensions (mm)	CCT (K)	Lumens (lm)	Power (W)	Eff. (lm/watt)	Lens Angle (°)
<b>CRI 80</b>						
118371 Raylan D34021/2700/14W/80/A20/EM1H	D140xH115mmxØ130mm±1mm	2700	1485	14W	107	20°
118372 Raylan D34021/3000/14W/80/A20/EM1H	D140xH115mmxØ130mm±1mm	3000	1500	14W	108	20°
118373 Raylan D34021/3500/14W/80/A20/EM1H	D140xH115mmxØ130mm±1mm	3500	1540	14W	110	20°
118374 Raylan D34021/4000/14W/80/A20/EM1H	D140xH115mmxØ130mm±1mm	4000	1570	14W	113	20°
118376 Raylan D34021/2700/14W/80/A30/EM1H	D140xH115mmxØ130mm±1mm	2700	1485	14W	107	30°
118377 Raylan D34021/3000/14W/80/A30/EM1H	D140xH115mmxØ130mm±1mm	3000	1500	14W	108	30°
118378 Raylan D34021/3500/14W/80/A30/EM1H	D140xH115mmxØ130mm±1mm	3500	1540	14W	110	30°
118379 Raylan D34021/4000/14W/80/A30/EM1H	D140xH115mmxØ130mm±1mm	4000	1570	14W	113	30°
118381 Raylan D34021/2700/14W/80/A45/EM1H	D140xH115mmxØ130mm±1mm	2700	1485	14W	107	45°
118382 Raylan D34021/3000/14W/80/A45/EM1H	D140xH115mmxØ130mm±1mm	3000	1500	14W	108	45°
118383 Raylan D34021/3500/14W/80/A45/EM1H	D140xH115mmxØ130mm±1mm	3500	1540	14W	110	45°
118384 Raylan D34021/4000/14W/80/A45/EM1H	D140xH115mmxØ130mm±1mm	4000	1570	14W	113	45°
118386 Raylan D34021/2700/14W/80/A55/EM1H	D140xH115mmxØ130mm±1mm	2700	1485	14W	107	55°
118387 Raylan D34021/3000/14W/80/A55/EM1H	D140xH115mmxØ130mm±1mm	3000	1500	14W	108	55°
118388 Raylan D34021/3500/14W/80/A55/EM1H	D140xH115mmxØ130mm±1mm	3500	1540	14W	110	55°
118389 Raylan D34021/4000/14W/80/A55/EM1H	D140xH115mmxØ130mm±1mm	4000	1570	14W	113	55°
118391 Raylan D34021/2700/20W/80/A20/EM1H	D140xH115mmxØ130mm±1mm	2700	2080	20W	104	20°
118392 Raylan D34021/3000/20W/80/A20/EM1H	D140xH115mmxØ130mm±1mm	3000	2100	20W	105	20°
118393 Raylan D34021/3500/20W/80/A20/EM1H	D140xH115mmxØ130mm±1mm	3500	2160	20W	108	20°
118394 Raylan D34021/4000/20W/80/A20/EM1H	D140xH115mmxØ130mm±1mm	4000	2200	20W	110	20°
118396 Raylan D34021/2700/20W/80/A30/EM1H	D140xH115mmxØ130mm±1mm	2700	2080	20W	104	30°
118397 Raylan D34021/3000/20W/80/A30/EM1H	D140xH115mmxØ130mm±1mm	3000	2100	20W	105	30°
118398 Raylan D34021/3500/20W/80/A30/EM1H	D140xH115mmxØ130mm±1mm	3500	2160	20W	108	30°
118399 Raylan D34021/4000/20W/80/A30/EM1H	D140xH115mmxØ130mm±1mm	4000	2200	20W	110	30°
118401 Raylan D34021/2700/20W/80/A45/EM1H	D140xH115mmxØ130mm±1mm	2700	2080	20W	104	45°
118402 Raylan D34021/3000/20W/80/A45/EM1H	D140xH115mmxØ130mm±1mm	3000	2100	20W	105	45°
118403 Raylan D34021/3500/20W/80/A45/EM1H	D140xH115mmxØ130mm±1mm	3500	2160	20W	108	45°
118404 Raylan D34021/4000/20W/80/A45/EM1H	D140xH115mmxØ130mm±1mm	4000	2200	20W	110	45°
118406 Raylan D34021/2700/20W/80/A55/EM1H	D140xH115mmxØ130mm±1mm	2700	2080	20W	104	55°
118407 Raylan D34021/3000/20W/80/A55/EM1H	D140xH115mmxØ130mm±1mm	3000	2100	20W	105	55°
118408 Raylan D34021/3500/20W/80/A55/EM1H	D140xH115mmxØ130mm±1mm	3500	2160	20W	108	55°
118409 Raylan D34021/4000/20W/80/A55/EM1H	D140xH115mmxØ130mm±1mm	4000	2200	20W	110	55°
118411 Raylan D34021/2700/27W/80/A20/EM1H	D140xH115mmxØ130mm±1mm	2700	2945	27W	110	20°
118412 Raylan D34021/3000/27W/80/A20/EM1H	D140xH115mmxØ130mm±1mm	3000	2970	27W	110	20°
118413 Raylan D34021/3500/27W/80/A20/EM1H	D140xH115mmxØ130mm±1mm	3500	3055	27W	114	20°
118414 Raylan D34021/4000/27W/80/A20/EM1H	D140xH115mmxØ130mm±1mm	4000	3135	27W	117	20°
118416 Raylan D34021/2700/27W/80/A30/EM1H	D140xH115mmxØ130mm±1mm	2700	2945	27W	110	30°
118417 Raylan D34021/3000/27W/80/A30/EM1H	D140xH115mmxØ130mm±1mm	3000	2970	27W	110	30°
118418 Raylan D34021/3500/27W/80/A30/EM1H	D140xH115mmxØ130mm±1mm	3500	3055	27W	114	30°
118419 Raylan D34021/4000/27W/80/A30/EM1H	D140xH115mmxØ130mm±1mm	4000	3135	27W	117	30°
118421 Raylan D34021/2700/27W/80/A45/EM1H	D140xH115mmxØ130mm±1mm	2700	2945	27W	110	45°
118422 Raylan D34021/3000/27W/80/A45/EM1H	D140xH115mmxØ130mm±1mm	3000	2970	27W	110	45°
118423 Raylan D34021/3500/27W/80/A45/EM1H	D140xH115mmxØ130mm±1mm	3500	3055	27W	114	45°
118424 Raylan D34021/4000/27W/80/A45/EM1H	D140xH115mmxØ130mm±1mm	4000	3135	27W	117	45°
118426 Raylan D34021/2700/27W/80/A55/EM1H	D140xH115mmxØ130mm±1mm	2700	2945	27W	110	55°
118427 Raylan D34021/3000/27W/80/A55/EM1H	D140xH115mmxØ130mm±1mm	3000	2970	27W	110	55°
118428 Raylan D34021/3500/27W/80/A55/EM1H	D140xH115mmxØ130mm±1mm	3500	3055	27W	114	55°
118429 Raylan D34021/4000/27W/80/A55/EM1H	D140xH115mmxØ130mm±1mm	4000	3135	27W	117	55°
118431 Raylan D34021/2700/35W/80/A20/EM1H	D140xH115mmxØ130mm±1mm	2700	3710	35W	106	20°
118432 Raylan D34021/3000/35W/80/A20/EM1H	D140xH115mmxØ130mm±1mm	3000	3745	35W	107	20°

SKU SPECIFICATIONS

Product Code	Dimensions (mm)	CCT (K)	Lumens (lm)	Power (W)	Eff. (lm/watt)	Lens Angle (°)
<b>CRI 80</b>						
118433 Raylan D34021/3500/35W/80/A20/EM1H	D140xH115mmxØ130mm±1mm	3500	3815	35W	109	20°
118434 Raylan D34021/4000/35W/80/A20/EM1H	D140xH115mmxØ130mm±1mm	4000	3920	35W	112	20°
118436 Raylan D34021/2700/35W/80/A30/EM1H	D140xH115mmxØ130mm±1mm	2700	3710	35W	106	30°
118437 Raylan D34021/3000/35W/80/A30/EM1H	D140xH115mmxØ130mm±1mm	3000	3745	35W	107	30°
118438 Raylan D34021/3500/35W/80/A30/EM1H	D140xH115mmxØ130mm±1mm	3500	3815	35W	109	30°
118439 Raylan D34021/4000/35W/80/A30/EM1H	D140xH115mmxØ130mm±1mm	4000	3920	35W	112	30°
118441 Raylan D34021/2700/35W/80/A45/EM1H	D140xH115mmxØ130mm±1mm	2700	3710	35W	106	45°
118442 Raylan D34021/3000/35W/80/A45/EM1H	D140xH115mmxØ130mm±1mm	3000	3745	35W	107	45°
118443 Raylan D34021/3500/35W/80/A45/EM1H	D140xH115mmxØ130mm±1mm	3500	3815	35W	109	45°
118444 Raylan D34021/4000/35W/80/A45/EM1H	D140xH115mmxØ130mm±1mm	4000	3920	35W	112	45°
118446 Raylan D34021/2700/35W/80/A55/EM1H	D140xH115mmxØ130mm±1mm	2700	3710	35W	106	55°
118447 Raylan D34021/3000/35W/80/A55/EM1H	D140xH115mmxØ130mm±1mm	3000	3745	35W	107	55°
118448 Raylan D34021/3500/35W/80/A55/EM1H	D140xH115mmxØ130mm±1mm	3500	3815	35W	109	55°
118449 Raylan D34021/4000/35W/80/A55/EM1H	D140xH115mmxØ130mm±1mm	4000	3920	35W	112	55°
118451 Raylan D34013/2700/14W/80/A15/EM1H	D180xH124mmxØ170mm±1mm	2700	1485	14W	107	15°
118452 Raylan D34013/3000/14W/80/A15/EM1H	D180xH124mmxØ170mm±1mm	3000	1500	14W	108	15°
118453 Raylan D34013/3500/14W/80/A15/EM1H	D180xH124mmxØ170mm±1mm	3500	1540	14W	110	15°
118454 Raylan D34013/4000/14W/80/A15/EM1H	D180xH124mmxØ170mm±1mm	4000	1570	14W	113	15°
118456 Raylan D34013/2700/14W/80/A30/EM1H	D180xH124mmxØ170mm±1mm	2700	1485	14W	107	30°
118457 Raylan D34013/3000/14W/80/A30/EM1H	D180xH124mmxØ170mm±1mm	3000	1500	14W	108	30°
118458 Raylan D34013/3500/14W/80/A30/EM1H	D180xH124mmxØ170mm±1mm	3500	1540	14W	110	30°
118459 Raylan D34013/4000/14W/80/A30/EM1H	D180xH124mmxØ170mm±1mm	4000	1570	14W	113	30°
118461 Raylan D34013/2700/14W/80/A45/EM1H	D180xH124mmxØ170mm±1mm	2700	1485	14W	107	45°
118462 Raylan D34013/3000/14W/80/A45/EM1H	D180xH124mmxØ170mm±1mm	3000	1500	14W	108	45°
118463 Raylan D34013/3500/14W/80/A45/EM1H	D180xH124mmxØ170mm±1mm	3500	1540	14W	110	45°
118464 Raylan D34013/4000/14W/80/A45/EM1H	D180xH124mmxØ170mm±1mm	4000	1570	14W	113	45°
118466 Raylan D34013/2700/20W/80/A15/EM1H	D180xH124mmxØ170mm±1mm	2700	2080	20W	104	15°
118467 Raylan D34013/3000/20W/80/A15/EM1H	D180xH124mmxØ170mm±1mm	3000	2100	20W	105	15°
118468 Raylan D34013/3500/20W/80/A15/EM1H	D180xH124mmxØ170mm±1mm	3500	2160	20W	108	15°
118469 Raylan D34013/4000/20W/80/A15/EM1H	D180xH124mmxØ170mm±1mm	4000	2200	20W	110	15°
118471 Raylan D34013/2700/20W/80/A30/EM1H	D180xH124mmxØ170mm±1mm	2700	2080	20W	104	30°
118472 Raylan D34013/3000/20W/80/A30/EM1H	D180xH124mmxØ170mm±1mm	3000	2100	20W	105	30°
118473 Raylan D34013/3500/20W/80/A30/EM1H	D180xH124mmxØ170mm±1mm	3500	2160	20W	108	30°
118474 Raylan D34013/4000/20W/80/A30/EM1H	D180xH124mmxØ170mm±1mm	4000	2200	20W	110	30°
118476 Raylan D34013/2700/20W/80/A45/EM1H	D180xH124mmxØ170mm±1mm	2700	2080	20W	104	45°
118477 Raylan D34013/3000/20W/80/A45/EM1H	D180xH124mmxØ170mm±1mm	3000	2100	20W	105	45°
118478 Raylan D34013/3500/20W/80/A45/EM1H	D180xH124mmxØ170mm±1mm	3500	2160	20W	108	45°
118479 Raylan D34013/4000/20W/80/A45/EM1H	D180xH124mmxØ170mm±1mm	4000	2200	20W	110	45°
118481 Raylan D34013/2700/27W/80/A15/EM1H	D180xH124mmxØ170mm±1mm	2700	2945	27W	110	15°
118482 Raylan D34013/3000/27W/80/A15/EM1H	D180xH124mmxØ170mm±1mm	3000	2970	27W	110	15°
118483 Raylan D34013/3500/27W/80/A15/EM1H	D180xH124mmxØ170mm±1mm	3500	3055	27W	114	15°
118484 Raylan D34013/4000/27W/80/A15/EM1H	D180xH124mmxØ170mm±1mm	4000	3135	27W	117	15°
118486 Raylan D34013/2700/27W/80/A30/EM1H	D180xH124mmxØ170mm±1mm	2700	2945	27W	110	30°
118487 Raylan D34013/3000/27W/80/A30/EM1H	D180xH124mmxØ170mm±1mm	3000	2970	27W	110	30°
118488 Raylan D34013/3500/27W/80/A30/EM1H	D180xH124mmxØ170mm±1mm	3500	3055	27W	114	30°
118489 Raylan D34013/4000/27W/80/A30/EM1H	D180xH124mmxØ170mm±1mm	4000	3135	27W	117	30°
118491 Raylan D34013/2700/27W/80/A45/EM1H	D180xH124mmxØ170mm±1mm	2700	2945	27W	110	45°
118492 Raylan D34013/3000/27W/80/A45/EM1H	D180xH124mmxØ170mm±1mm	3000	2970	27W	110	45°
118493 Raylan D34013/3500/27W/80/A45/EM1H	D180xH124mmxØ170mm±1mm	3500	3055	27W	114	45°
118494 Raylan D34013/4000/27W/80/A45/EM1H	D180xH124mmxØ170mm±1mm	4000	3135	27W	117	45°

SKU SPECIFICATIONS

Product Code	Dimensions (mm)	CCT (K)	Lumens (lm)	Power (W)	Eff. (lm/watt)	Lens Angle (°)
<b>CRI 80</b>						
118496 Raylan D34013/2700/35W/80/A15/EM1H	D180xH124mmxØ170mm±1mm	2700	3710	35W	106	15°
118497 Raylan D34013/3000/35W/80/A15/EM1H	D180xH124mmxØ170mm±1mm	3000	3745	35W	107	15°
118498 Raylan D34013/3500/35W/80/A15/EM1H	D180xH124mmxØ170mm±1mm	3500	3815	35W	109	15°
118499 Raylan D34013/4000/35W/80/A15/EM1H	D180xH124mmxØ170mm±1mm	4000	3920	35W	112	15°
118501 Raylan D34013/2700/35W/80/A30/EM1H	D180xH124mmxØ170mm±1mm	2700	3710	35W	106	30°
118502 Raylan D34013/3000/35W/80/A30/EM1H	D180xH124mmxØ170mm±1mm	3000	3745	35W	107	30°
118503 Raylan D34013/3500/35W/80/A30/EM1H	D180xH124mmxØ170mm±1mm	3500	3815	35W	109	30°
118504 Raylan D34013/4000/35W/80/A30/EM1H	D180xH124mmxØ170mm±1mm	4000	3920	35W	112	30°
118506 Raylan D34013/2700/35W/80/A45/EM1H	D180xH124mmxØ170mm±1mm	2700	3710	35W	106	45°
118507 Raylan D34013/3000/35W/80/A45/EM1H	D180xH124mmxØ170mm±1mm	3000	3745	35W	107	45°
118508 Raylan D34013/3500/35W/80/A45/EM1H	D180xH124mmxØ170mm±1mm	3500	3815	35W	109	45°
118509 Raylan D34013/4000/35W/80/A45/EM1H	D180xH124mmxØ170mm±1mm	4000	3920	35W	112	45°
118539 Raylan D34021/BVF/27W/80/A20/EM1H	D140xH115mmxØ130mm±1mm	BVF	2065	27W	77	20°
118540 Raylan D34021/FBS/27W/80/A20/EM1H	D140xH115mmxØ130mm±1mm	FBS	1635	27W	61	20°
118541 Raylan D34021/FZM/27W/80/A20/EM1H	D140xH115mmxØ130mm±1mm	FZM	1530	27W	57	20°
118542 Raylan D34021/FSM/27W/80/A20/EM1H	D140xH115mmxØ130mm±1mm	FSM	1530	27W	57	20°
118543 Raylan D34021/FSH/27W/80/A20/EM1H	D140xH115mmxØ130mm±1mm	FSH	2250	27W	84	20°
118544 Raylan D34021/BVF/27W/80/A30/EM1H	D140xH115mmxØ130mm±1mm	BVF	2065	27W	77	30°
118545 Raylan D34021/FBS/27W/80/A30/EM1H	D140xH115mmxØ130mm±1mm	FBS	1635	27W	61	30°
118546 Raylan D34021/FZM/27W/80/A30/EM1H	D140xH115mmxØ130mm±1mm	FZM	1530	27W	57	30°
118547 Raylan D34021/FSM/27W/80/A30/EM1H	D140xH115mmxØ130mm±1mm	FSM	1530	27W	57	30°
118548 Raylan D34021/FSH/27W/80/A30/EM1H	D140xH115mmxØ130mm±1mm	FSH	2250	27W	84	30°
118549 Raylan D34021/BVF/27W/80/A45/EM1H	D140xH115mmxØ130mm±1mm	BVF	2065	27W	77	45°
118550 Raylan D34021/FBS/27W/80/A45/EM1H	D140xH115mmxØ130mm±1mm	FBS	1635	27W	61	45°
118551 Raylan D34021/FZM/27W/80/A45/EM1H	D140xH115mmxØ130mm±1mm	FZM	1530	27W	57	45°
118552 Raylan D34021/FSM/27W/80/A45/EM1H	D140xH115mmxØ130mm±1mm	FSM	1530	27W	57	45°
118553 Raylan D34021/FSH/27W/80/A45/EM1H	D140xH115mmxØ130mm±1mm	FSH	2250	27W	84	45°
118554 Raylan D34021/BVF/27W/80/A55/EM1H	D140xH115mmxØ130mm±1mm	BVF	2065	27W	77	55°
118555 Raylan D34021/FBS/27W/80/A55/EM1H	D140xH115mmxØ130mm±1mm	FBS	1635	27W	61	55°
118556 Raylan D34021/FZM/27W/80/A55/EM1H	D140xH115mmxØ130mm±1mm	FZM	1530	27W	57	55°
118557 Raylan D34021/FSM/27W/80/A55/EM1H	D140xH115mmxØ130mm±1mm	FSM	1530	27W	57	55°
118558 Raylan D34021/FSH/27W/80/A55/EM1H	D140xH115mmxØ130mm±1mm	FSH	2250	27W	84	55°
118559 Raylan D34021/BVF/35W/80/A20/EM1H	D140xH115mmxØ130mm±1mm	BVF	2590	35W	74	20°
118560 Raylan D34021/FBS/35W/80/A20/EM1H	D140xH115mmxØ130mm±1mm	FBS	2115	35W	61	20°
118561 Raylan D34021/FZM/35W/80/A20/EM1H	D140xH115mmxØ130mm±1mm	FZM	1980	35W	57	20°
118562 Raylan D34021/FSM/35W/80/A20/EM1H	D140xH115mmxØ130mm±1mm	FSM	1980	35W	57	20°
118563 Raylan D34021/FSH/35W/80/A20/EM1H	D140xH115mmxØ130mm±1mm	FSH	2755	35W	79	20°
118564 Raylan D34021/BVF/35W/80/A30/EM1H	D140xH115mmxØ130mm±1mm	BVF	2590	35W	74	30°
118565 Raylan D34021/FBS/35W/80/A30/EM1H	D140xH115mmxØ130mm±1mm	FBS	2115	35W	61	30°
118566 Raylan D34021/FZM/35W/80/A30/EM1H	D140xH115mmxØ130mm±1mm	FZM	1980	35W	57	30°
118567 Raylan D34021/FSM/35W/80/A30/EM1H	D140xH115mmxØ130mm±1mm	FSM	1980	35W	57	30°
118568 Raylan D34021/FSH/35W/80/A30/EM1H	D140xH115mmxØ130mm±1mm	FSH	2755	35W	79	30°
118569 Raylan D34021/BVF/35W/80/A45/EM1H	D140xH115mmxØ130mm±1mm	BVF	2590	35W	74	45°
118570 Raylan D34021/FBS/35W/80/A45/EM1H	D140xH115mmxØ130mm±1mm	FBS	2115	35W	61	45°
118571 Raylan D34021/FZM/35W/80/A45/EM1H	D140xH115mmxØ130mm±1mm	FZM	1980	35W	57	45°
118572 Raylan D34021/FSM/35W/80/A45/EM1H	D140xH115mmxØ130mm±1mm	FSM	1980	35W	57	45°
118573 Raylan D34021/FSH/35W/80/A45/EM1H	D140xH115mmxØ130mm±1mm	FSH	2755	35W	79	45°
118574 Raylan D34021/BVF/35W/80/A55/EM1H	D140xH115mmxØ130mm±1mm	BVF	2590	35W	74	55°
118575 Raylan D34021/FBS/35W/80/A55/EM1H	D140xH115mmxØ130mm±1mm	FBS	2115	35W	61	55°
118576 Raylan D34021/FZM/35W/80/A55/EM1H	D140xH115mmxØ130mm±1mm	FZM	1980	35W	57	55°

SKU SPECIFICATIONS

Product Code	Dimensions (mm)	CCT (K)	Lumens (lm)	Power (W)	Eff. (lm/watt)	Lens Angle (°)
<b>CRI 80</b>						
118577 Raylan D34021/FSM/35W/80/A55/EM1H	D140xH115mmxØ130mm±1mm	FSM	1980	35W	57	55°
118578 Raylan D34021/FSH/35W/80/A55/EM1H	D140xH115mmxØ130mm±1mm	FSH	2755	35W	79	55°
118579 Raylan D34013/BVF/27W/80/A15/EM1H	D180xH124mmxØ170mm±1mm	BVF	2065	27W	77	15°
118580 Raylan D34013/FBS/27W/80/A15/EM1H	D180xH124mmxØ170mm±1mm	FBS	1635	27W	61	15°
118581 Raylan D34013/FZM/27W/80/A15/EM1H	D180xH124mmxØ170mm±1mm	FZM	1530	27W	57	15°
118582 Raylan D34013/FSM/27W/80/A15/EM1H	D180xH124mmxØ170mm±1mm	FSM	1530	27W	57	15°
118583 Raylan D34013/FSH/27W/80/A15/EM1H	D180xH124mmxØ170mm±1mm	FSH	2250	27W	84	15°
118584 Raylan D34013/BVF/27W/80/A30/EM1H	D180xH124mmxØ170mm±1mm	BVF	2065	27W	77	30°
118585 Raylan D34013/FBS/27W/80/A30/EM1H	D180xH124mmxØ170mm±1mm	FBS	1635	27W	61	30°
118586 Raylan D34013/FZM/27W/80/A30/EM1H	D180xH124mmxØ170mm±1mm	FZM	1530	27W	57	30°
118587 Raylan D34013/FSM/27W/80/A30/EM1H	D180xH124mmxØ170mm±1mm	FSM	1530	27W	57	30°
118588 Raylan D34013/FSH/27W/80/A30/EM1H	D180xH124mmxØ170mm±1mm	FSH	2250	27W	84	30°
118589 Raylan D34013/BVF/27W/80/A45/EM1H	D180xH124mmxØ170mm±1mm	BVF	2065	27W	77	45°
118590 Raylan D34013/FBS/27W/80/A45/EM1H	D180xH124mmxØ170mm±1mm	FBS	1635	27W	61	45°
118591 Raylan D34013/FZM/27W/80/A45/EM1H	D180xH124mmxØ170mm±1mm	FZM	1530	27W	57	45°
118592 Raylan D34013/FSM/27W/80/A45/EM1H	D180xH124mmxØ170mm±1mm	FSM	1530	27W	57	45°
118593 Raylan D34013/FSH/27W/80/A45/EM1H	D180xH124mmxØ170mm±1mm	FSH	2250	27W	84	45°
118599 Raylan D34013/BVF/35W/80/A15/EM1H	D180xH124mmxØ170mm±1mm	BVF	2590	35W	74	15°
118600 Raylan D34013/FBS/35W/80/A15/EM1H	D180xH124mmxØ170mm±1mm	FBS	2115	35W	61	15°
118601 Raylan D34013/FZM/35W/80/A15/EM1H	D180xH124mmxØ170mm±1mm	FZM	1980	35W	57	15°
118602 Raylan D34013/FSM/35W/80/A15/EM1H	D180xH124mmxØ170mm±1mm	FSM	1980	35W	57	15°
118603 Raylan D34013/FSH/35W/80/A15/EM1H	D180xH124mmxØ170mm±1mm	FSH	2755	35W	79	15°
118604 Raylan D34013/BVF/35W/80/A30/EM1H	D180xH124mmxØ170mm±1mm	BVF	2590	35W	74	30°
118605 Raylan D34013/FBS/35W/80/A30/EM1H	D180xH124mmxØ170mm±1mm	FBS	2115	35W	61	30°
118606 Raylan D34013/FZM/35W/80/A30/EM1H	D180xH124mmxØ170mm±1mm	FZM	1980	35W	57	30°
118607 Raylan D34013/FSM/35W/80/A30/EM1H	D180xH124mmxØ170mm±1mm	FSM	1980	35W	57	30°
118608 Raylan D34013/FSH/35W/80/A30/EM1H	D180xH124mmxØ170mm±1mm	FSH	2755	35W	79	30°
118609 Raylan D34013/BVF/35W/80/A45/EM1H	D180xH124mmxØ170mm±1mm	BVF	2590	35W	74	45°
118610 Raylan D34013/FBS/35W/80/A45/EM1H	D180xH124mmxØ170mm±1mm	FBS	2115	35W	61	45°
118611 Raylan D34013/FZM/35W/80/A45/EM1H	D180xH124mmxØ170mm±1mm	FZM	1980	35W	57	45°
118612 Raylan D34013/FSM/35W/80/A45/EM1H	D180xH124mmxØ170mm±1mm	FSM	1980	35W	57	45°
118613 Raylan D34013/FSH/35W/80/A45/EM1H	D180xH124mmxØ170mm±1mm	FSH	2755	35W	79	45°
118651 Raylan D34021/2700/14W/80/A20/EM3H	D140xH115mmxØ130mm±1mm	2700	1485	14W	107	20°
118652 Raylan D34021/3000/14W/80/A20/EM3H	D140xH115mmxØ130mm±1mm	3000	1500	14W	108	20°
118653 Raylan D34021/3500/14W/80/A20/EM3H	D140xH115mmxØ130mm±1mm	3500	1540	14W	110	20°
118654 Raylan D34021/4000/14W/80/A20/EM3H	D140xH115mmxØ130mm±1mm	4000	1570	14W	113	20°
118656 Raylan D34021/2700/14W/80/A30/EM3H	D140xH115mmxØ130mm±1mm	2700	1485	14W	107	30°
118657 Raylan D34021/3000/14W/80/A30/EM3H	D140xH115mmxØ130mm±1mm	3000	1500	14W	108	30°
118658 Raylan D34021/3500/14W/80/A30/EM3H	D140xH115mmxØ130mm±1mm	3500	1540	14W	110	30°
118659 Raylan D34021/4000/14W/80/A30/EM3H	D140xH115mmxØ130mm±1mm	4000	1570	14W	113	30°
118661 Raylan D34021/2700/14W/80/A45/EM3H	D140xH115mmxØ130mm±1mm	2700	1485	14W	107	45°
118662 Raylan D34021/3000/14W/80/A45/EM3H	D140xH115mmxØ130mm±1mm	3000	1500	14W	108	45°
118663 Raylan D34021/3500/14W/80/A45/EM3H	D140xH115mmxØ130mm±1mm	3500	1540	14W	110	45°
118664 Raylan D34021/4000/14W/80/A45/EM3H	D140xH115mmxØ130mm±1mm	4000	1570	14W	113	45°
118666 Raylan D34021/2700/14W/80/A55/EM3H	D140xH115mmxØ130mm±1mm	2700	1485	14W	107	55°
118667 Raylan D34021/3000/14W/80/A55/EM3H	D140xH115mmxØ130mm±1mm	3000	1500	14W	108	55°
118668 Raylan D34021/3500/14W/80/A55/EM3H	D140xH115mmxØ130mm±1mm	3500	1540	14W	110	55°
118669 Raylan D34021/4000/14W/80/A55/EM3H	D140xH115mmxØ130mm±1mm	4000	1570	14W	113	55°
118671 Raylan D34021/2700/20W/80/A20/EM3H	D140xH115mmxØ130mm±1mm	2700	2080	20W	104	20°
118672 Raylan D34021/3000/20W/80/A20/EM3H	D140xH115mmxØ130mm±1mm	3000	2100	20W	105	20°

SKU SPECIFICATIONS

Product Code	Dimensions (mm)	CCT (K)	Lumens (lm)	Power (W)	Eff. (lm/watt)	Lens Angle (°)
<b>CRI 80</b>						
118673 Raylan D34021/3500/20W/80/A20/EM3H	D140xH115mmxØ130mm±1mm	3500	2160	20W	108	20°
118674 Raylan D34021/4000/20W/80/A20/EM3H	D140xH115mmxØ130mm±1mm	4000	2200	20W	110	20°
118676 Raylan D34021/2700/20W/80/A30/EM3H	D140xH115mmxØ130mm±1mm	2700	2080	20W	104	30°
118677 Raylan D34021/3000/20W/80/A30/EM3H	D140xH115mmxØ130mm±1mm	3000	2100	20W	105	30°
118678 Raylan D34021/3500/20W/80/A30/EM3H	D140xH115mmxØ130mm±1mm	3500	2160	20W	108	30°
118679 Raylan D34021/4000/20W/80/A30/EM3H	D140xH115mmxØ130mm±1mm	4000	2200	20W	110	30°
118681 Raylan D34021/2700/20W/80/A45/EM3H	D140xH115mmxØ130mm±1mm	2700	2080	20W	104	45°
118682 Raylan D34021/3000/20W/80/A45/EM3H	D140xH115mmxØ130mm±1mm	3000	2100	20W	105	45°
118683 Raylan D34021/3500/20W/80/A45/EM3H	D140xH115mmxØ130mm±1mm	3500	2160	20W	108	45°
118684 Raylan D34021/4000/20W/80/A45/EM3H	D140xH115mmxØ130mm±1mm	4000	2200	20W	110	45°
118686 Raylan D34021/2700/20W/80/A55/EM3H	D140xH115mmxØ130mm±1mm	2700	2080	20W	104	55°
118687 Raylan D34021/3000/20W/80/A55/EM3H	D140xH115mmxØ130mm±1mm	3000	2100	20W	105	55°
118688 Raylan D34021/3500/20W/80/A55/EM3H	D140xH115mmxØ130mm±1mm	3500	2160	20W	108	55°
118689 Raylan D34021/4000/20W/80/A55/EM3H	D140xH115mmxØ130mm±1mm	4000	2200	20W	110	55°
118691 Raylan D34021/2700/27W/80/A20/EM3H	D140xH115mmxØ130mm±1mm	2700	2945	27W	110	20°
118692 Raylan D34021/3000/27W/80/A20/EM3H	D140xH115mmxØ130mm±1mm	3000	2970	27W	110	20°
118693 Raylan D34021/3500/27W/80/A20/EM3H	D140xH115mmxØ130mm±1mm	3500	3055	27W	114	20°
118694 Raylan D34021/4000/27W/80/A20/EM3H	D140xH115mmxØ130mm±1mm	4000	3135	27W	117	20°
118696 Raylan D34021/2700/27W/80/A30/EM3H	D140xH115mmxØ130mm±1mm	2700	2945	27W	110	30°
118697 Raylan D34021/3000/27W/80/A30/EM3H	D140xH115mmxØ130mm±1mm	3000	2970	27W	110	30°
118698 Raylan D34021/3500/27W/80/A30/EM3H	D140xH115mmxØ130mm±1mm	3500	3055	27W	114	30°
118699 Raylan D34021/4000/27W/80/A30/EM3H	D140xH115mmxØ130mm±1mm	4000	3135	27W	117	30°
118701 Raylan D34021/2700/27W/80/A45/EM3H	D140xH115mmxØ130mm±1mm	2700	2945	27W	110	45°
118702 Raylan D34021/3000/27W/80/A45/EM3H	D140xH115mmxØ130mm±1mm	3000	2970	27W	110	45°
118703 Raylan D34021/3500/27W/80/A45/EM3H	D140xH115mmxØ130mm±1mm	3500	3055	27W	114	45°
118704 Raylan D34021/4000/27W/80/A45/EM3H	D140xH115mmxØ130mm±1mm	4000	3135	27W	117	45°
118706 Raylan D34021/2700/27W/80/A55/EM3H	D140xH115mmxØ130mm±1mm	2700	2945	27W	110	55°
118707 Raylan D34021/3000/27W/80/A55/EM3H	D140xH115mmxØ130mm±1mm	3000	2970	27W	110	55°
118708 Raylan D34021/3500/27W/80/A55/EM3H	D140xH115mmxØ130mm±1mm	3500	3055	27W	114	55°
118709 Raylan D34021/4000/27W/80/A55/EM3H	D140xH115mmxØ130mm±1mm	4000	3135	27W	117	55°
118711 Raylan D34021/2700/35W/80/A20/EM3H	D140xH115mmxØ130mm±1mm	2700	3710	35W	106	20°
118712 Raylan D34021/3000/35W/80/A20/EM3H	D140xH115mmxØ130mm±1mm	3000	3745	35W	107	20°
118713 Raylan D34021/3500/35W/80/A20/EM3H	D140xH115mmxØ130mm±1mm	3500	3815	35W	109	20°
118714 Raylan D34021/4000/35W/80/A20/EM3H	D140xH115mmxØ130mm±1mm	4000	3920	35W	112	20°
118716 Raylan D34021/2700/35W/80/A30/EM3H	D140xH115mmxØ130mm±1mm	2700	3710	35W	106	30°
118717 Raylan D34021/3000/35W/80/A30/EM3H	D140xH115mmxØ130mm±1mm	3000	3745	35W	107	30°
118718 Raylan D34021/3500/35W/80/A30/EM3H	D140xH115mmxØ130mm±1mm	3500	3815	35W	109	30°
118719 Raylan D34021/4000/35W/80/A30/EM3H	D140xH115mmxØ130mm±1mm	4000	3920	35W	112	30°
118721 Raylan D34021/2700/35W/80/A45/EM3H	D140xH115mmxØ130mm±1mm	2700	3710	35W	106	45°
118722 Raylan D34021/3000/35W/80/A45/EM3H	D140xH115mmxØ130mm±1mm	3000	3745	35W	107	45°
118723 Raylan D34021/3500/35W/80/A45/EM3H	D140xH115mmxØ130mm±1mm	3500	3815	35W	109	45°
118724 Raylan D34021/4000/35W/80/A45/EM3H	D140xH115mmxØ130mm±1mm	4000	3920	35W	112	45°
118726 Raylan D34021/2700/35W/80/A55/EM3H	D140xH115mmxØ130mm±1mm	2700	3710	35W	106	55°
118727 Raylan D34021/3000/35W/80/A55/EM3H	D140xH115mmxØ130mm±1mm	3000	3745	35W	107	55°
118728 Raylan D34021/3500/35W/80/A55/EM3H	D140xH115mmxØ130mm±1mm	3500	3815	35W	109	55°
118729 Raylan D34021/4000/35W/80/A55/EM3H	D140xH115mmxØ130mm±1mm	4000	3920	35W	112	55°
118731 Raylan D34013/2700/14W/80/A15/EM3H	D180xH124mmxØ170mm±1mm	2700	1485	14W	107	15°
118732 Raylan D34013/3000/14W/80/A15/EM3H	D180xH124mmxØ170mm±1mm	3000	1500	14W	108	15°
118733 Raylan D34013/3500/14W/80/A15/EM3H	D180xH124mmxØ170mm±1mm	3500	1540	14W	110	15°
118734 Raylan D34013/4000/14W/80/A15/EM3H	D180xH124mmxØ170mm±1mm	4000	1570	14W	113	15°



SKU SPECIFICATIONS

Product Code	Dimensions (mm)	CCT (K)	Lumens (lm)	Power (W)	Eff. (lm/watt)	Lens Angle (°)
<b>CRI 80</b>						
118736 Raylan D34013/2700/14W/80/A30/EM3H	D180xH124mmxØ170mm±1mm	2700	1485	14W	107	30°
118737 Raylan D34013/3000/14W/80/A30/EM3H	D180xH124mmxØ170mm±1mm	3000	1500	14W	108	30°
118738 Raylan D34013/3500/14W/80/A30/EM3H	D180xH124mmxØ170mm±1mm	3500	1540	14W	110	30°
118739 Raylan D34013/4000/14W/80/A30/EM3H	D180xH124mmxØ170mm±1mm	4000	1570	14W	113	30°
118741 Raylan D34013/2700/14W/80/A45/EM3H	D180xH124mmxØ170mm±1mm	2700	1485	14W	107	45°
118742 Raylan D34013/3000/14W/80/A45/EM3H	D180xH124mmxØ170mm±1mm	3000	1500	14W	108	45°
118743 Raylan D34013/3500/14W/80/A45/EM3H	D180xH124mmxØ170mm±1mm	3500	1540	14W	110	45°
118744 Raylan D34013/4000/14W/80/A45/EM3H	D180xH124mmxØ170mm±1mm	4000	1570	14W	113	45°
118746 Raylan D34013/2700/20W/80/A15/EM3H	D180xH124mmxØ170mm±1mm	2700	2080	20W	104	15°
118747 Raylan D34013/3000/20W/80/A15/EM3H	D180xH124mmxØ170mm±1mm	3000	2100	20W	105	15°
118748 Raylan D34013/3500/20W/80/A15/EM3H	D180xH124mmxØ170mm±1mm	3500	2160	20W	108	15°
118749 Raylan D34013/4000/20W/80/A15/EM3H	D180xH124mmxØ170mm±1mm	4000	2200	20W	110	15°
118751 Raylan D34013/2700/20W/80/A30/EM3H	D180xH124mmxØ170mm±1mm	2700	2080	20W	104	30°
118752 Raylan D34013/3000/20W/80/A30/EM3H	D180xH124mmxØ170mm±1mm	3000	2100	20W	105	30°
118753 Raylan D34013/3500/20W/80/A30/EM3H	D180xH124mmxØ170mm±1mm	3500	2160	20W	108	30°
118754 Raylan D34013/4000/20W/80/A30/EM3H	D180xH124mmxØ170mm±1mm	4000	2200	20W	110	30°
118756 Raylan D34013/2700/20W/80/A45/EM3H	D180xH124mmxØ170mm±1mm	2700	2080	20W	104	45°
118757 Raylan D34013/3000/20W/80/A45/EM3H	D180xH124mmxØ170mm±1mm	3000	2100	20W	105	45°
118758 Raylan D34013/3500/20W/80/A45/EM3H	D180xH124mmxØ170mm±1mm	3500	2160	20W	108	45°
118759 Raylan D34013/4000/20W/80/A45/EM3H	D180xH124mmxØ170mm±1mm	4000	2200	20W	110	45°
118761 Raylan D34013/2700/27W/80/A15/EM3H	D180xH124mmxØ170mm±1mm	2700	2945	27W	110	15°
118762 Raylan D34013/3000/27W/80/A15/EM3H	D180xH124mmxØ170mm±1mm	3000	2970	27W	110	15°
118763 Raylan D34013/3500/27W/80/A15/EM3H	D180xH124mmxØ170mm±1mm	3500	3055	27W	114	15°
118764 Raylan D34013/4000/27W/80/A15/EM3H	D180xH124mmxØ170mm±1mm	4000	3135	27W	117	15°
118766 Raylan D34013/2700/27W/80/A30/EM3H	D180xH124mmxØ170mm±1mm	2700	2945	27W	110	30°
118767 Raylan D34013/3000/27W/80/A30/EM3H	D180xH124mmxØ170mm±1mm	3000	2970	27W	110	30°
118768 Raylan D34013/3500/27W/80/A30/EM3H	D180xH124mmxØ170mm±1mm	3500	3055	27W	114	30°
118769 Raylan D34013/4000/27W/80/A30/EM3H	D180xH124mmxØ170mm±1mm	4000	3135	27W	117	30°
118771 Raylan D34013/2700/27W/80/A45/EM3H	D180xH124mmxØ170mm±1mm	2700	2945	27W	110	45°
118772 Raylan D34013/3000/27W/80/A45/EM3H	D180xH124mmxØ170mm±1mm	3000	2970	27W	110	45°
118773 Raylan D34013/3500/27W/80/A45/EM3H	D180xH124mmxØ170mm±1mm	3500	3055	27W	114	45°
118774 Raylan D34013/4000/27W/80/A45/EM3H	D180xH124mmxØ170mm±1mm	4000	3135	27W	117	45°
118776 Raylan D34013/2700/35W/80/A15/EM3H	D180xH124mmxØ170mm±1mm	2700	3710	35W	106	15°
118777 Raylan D34013/3000/35W/80/A15/EM3H	D180xH124mmxØ170mm±1mm	3000	3745	35W	107	15°
118778 Raylan D34013/3500/35W/80/A15/EM3H	D180xH124mmxØ170mm±1mm	3500	3815	35W	109	15°
118779 Raylan D34013/4000/35W/80/A15/EM3H	D180xH124mmxØ170mm±1mm	4000	3920	35W	112	15°
118781 Raylan D34013/2700/35W/80/A30/EM3H	D180xH124mmxØ170mm±1mm	2700	3710	35W	106	30°
118782 Raylan D34013/3000/35W/80/A30/EM3H	D180xH124mmxØ170mm±1mm	3000	3745	35W	107	30°
118783 Raylan D34013/3500/35W/80/A30/EM3H	D180xH124mmxØ170mm±1mm	3500	3815	35W	109	30°
118784 Raylan D34013/4000/35W/80/A30/EM3H	D180xH124mmxØ170mm±1mm	4000	3920	35W	112	30°
118786 Raylan D34013/2700/35W/80/A45/EM3H	D180xH124mmxØ170mm±1mm	2700	3710	35W	106	45°
118787 Raylan D34013/3000/35W/80/A45/EM3H	D180xH124mmxØ170mm±1mm	3000	3745	35W	107	45°
118788 Raylan D34013/3500/35W/80/A45/EM3H	D180xH124mmxØ170mm±1mm	3500	3815	35W	109	45°
118789 Raylan D34013/4000/35W/80/A45/EM3H	D180xH124mmxØ170mm±1mm	4000	3920	35W	112	45°
118819 Raylan D34021/BVF/27W/80/A20/EM3H	D140xH115mmxØ130mm±1mm	BVF	2065	27W	77	20°
118820 Raylan D34021/FBS/27W/80/A20/EM3H	D140xH115mmxØ130mm±1mm	FBS	1635	27W	61	20°
118821 Raylan D34021/FZM/27W/80/A20/EM3H	D140xH115mmxØ130mm±1mm	FZM	1530	27W	57	20°
118822 Raylan D34021/FSM/27W/80/A20/EM3H	D140xH115mmxØ130mm±1mm	FSM	1530	27W	57	20°
118823 Raylan D34021/FSH/27W/80/A20/EM3H	D140xH115mmxØ130mm±1mm	FSH	2250	27W	84	20°
118824 Raylan D34021/BVF/27W/80/A30/EM3H	D140xH115mmxØ130mm±1mm	BVF	2065	27W	77	30°

SKU SPECIFICATIONS

Product Code	Dimensions (mm)	CCT (K)	Lumens (lm)	Power (W)	Eff. (lm/watt)	Lens Angle (°)
<b>CRI 80</b>						
118825 Raylan D34021/FBS/27W/80/A30/EM3H	D140xH115mmxØ130mm±1mm	FBS	1635	27W	61	30°
118826 Raylan D34021/FZM/27W/80/A30/EM3H	D140xH115mmxØ130mm±1mm	FZM	1530	27W	57	30°
118827 Raylan D34021/FSM/27W/80/A30/EM3H	D140xH115mmxØ130mm±1mm	FSM	1530	27W	57	30°
118828 Raylan D34021/FSH/27W/80/A30/EM3H	D140xH115mmxØ130mm±1mm	FSH	2250	27W	84	30°
118829 Raylan D34021/BVF/27W/80/A45/EM3H	D140xH115mmxØ130mm±1mm	BVF	2065	27W	77	45°
118830 Raylan D34021/FBS/27W/80/A45/EM3H	D140xH115mmxØ130mm±1mm	FBS	1635	27W	61	45°
118831 Raylan D34021/FZM/27W/80/A45/EM3H	D140xH115mmxØ130mm±1mm	FZM	1530	27W	57	45°
118832 Raylan D34021/FSM/27W/80/A45/EM3H	D140xH115mmxØ130mm±1mm	FSM	1530	27W	57	45°
118833 Raylan D34021/FSH/27W/80/A45/EM3H	D140xH115mmxØ130mm±1mm	FSH	2250	27W	84	45°
118834 Raylan D34021/BVF/27W/80/A55/EM3H	D140xH115mmxØ130mm±1mm	BVF	2065	27W	77	55°
118835 Raylan D34021/FBS/27W/80/A55/EM3H	D140xH115mmxØ130mm±1mm	FBS	1635	27W	61	55°
118836 Raylan D34021/FZM/27W/80/A55/EM3H	D140xH115mmxØ130mm±1mm	FZM	1530	27W	57	55°
118837 Raylan D34021/FSM/27W/80/A55/EM3H	D140xH115mmxØ130mm±1mm	FSM	1530	27W	57	55°
118838 Raylan D34021/FSH/27W/80/A55/EM3H	D140xH115mmxØ130mm±1mm	FSH	2250	27W	84	55°
118839 Raylan D34021/BVF/35W/80/A20/EM3H	D140xH115mmxØ130mm±1mm	BVF	2590	35W	74	20°
118840 Raylan D34021/FBS/35W/80/A20/EM3H	D140xH115mmxØ130mm±1mm	FBS	2115	35W	61	20°
118841 Raylan D34021/FZM/35W/80/A20/EM3H	D140xH115mmxØ130mm±1mm	FZM	1980	35W	57	20°
118842 Raylan D34021/FSM/35W/80/A20/EM3H	D140xH115mmxØ130mm±1mm	FSM	1980	35W	57	20°
118843 Raylan D34021/FSH/35W/80/A20/EM3H	D140xH115mmxØ130mm±1mm	FSH	2755	35W	79	20°
118844 Raylan D34021/BVF/35W/80/A30/EM3H	D140xH115mmxØ130mm±1mm	BVF	2590	35W	74	30°
118845 Raylan D34021/FBS/35W/80/A30/EM3H	D140xH115mmxØ130mm±1mm	FBS	2115	35W	61	30°
118846 Raylan D34021/FZM/35W/80/A30/EM3H	D140xH115mmxØ130mm±1mm	FZM	1980	35W	57	30°
118847 Raylan D34021/FSM/35W/80/A30/EM3H	D140xH115mmxØ130mm±1mm	FSM	1980	35W	57	30°
118848 Raylan D34021/FSH/35W/80/A30/EM3H	D140xH115mmxØ130mm±1mm	FSH	2755	35W	79	30°
118849 Raylan D34021/BVF/35W/80/A45/EM3H	D140xH115mmxØ130mm±1mm	BVF	2590	35W	74	45°
118850 Raylan D34021/FBS/35W/80/A45/EM3H	D140xH115mmxØ130mm±1mm	FBS	2115	35W	61	45°
118851 Raylan D34021/FZM/35W/80/A45/EM3H	D140xH115mmxØ130mm±1mm	FZM	1980	35W	57	45°
118852 Raylan D34021/FSM/35W/80/A45/EM3H	D140xH115mmxØ130mm±1mm	FSM	1980	35W	57	45°
118853 Raylan D34021/FSH/35W/80/A45/EM3H	D140xH115mmxØ130mm±1mm	FSH	2755	35W	79	45°
118854 Raylan D34021/BVF/35W/80/A55/EM3H	D140xH115mmxØ130mm±1mm	BVF	2590	35W	74	55°
118855 Raylan D34021/FBS/35W/80/A55/EM3H	D140xH115mmxØ130mm±1mm	FBS	2115	35W	61	55°
118856 Raylan D34021/FZM/35W/80/A55/EM3H	D140xH115mmxØ130mm±1mm	FZM	1980	35W	57	55°
118857 Raylan D34021/FSM/35W/80/A55/EM3H	D140xH115mmxØ130mm±1mm	FSM	1980	35W	57	55°
118858 Raylan D34021/FSH/35W/80/A55/EM3H	D140xH115mmxØ130mm±1mm	FSH	2755	35W	79	55°
118859 Raylan D34013/BVF/27W/80/A15/EM3H	D180xH124mmxØ170mm±1mm	BVF	2065	27W	77	15°
118860 Raylan D34013/FBS/27W/80/A15/EM3H	D180xH124mmxØ170mm±1mm	FBS	1635	27W	61	15°
118861 Raylan D34013/FZM/27W/80/A15/EM3H	D180xH124mmxØ170mm±1mm	FZM	1530	27W	57	15°
118862 Raylan D34013/FSM/27W/80/A15/EM3H	D180xH124mmxØ170mm±1mm	FSM	1530	27W	57	15°
118863 Raylan D34013/FSH/27W/80/A15/EM3H	D180xH124mmxØ170mm±1mm	FSH	2250	27W	84	15°
118864 Raylan D34013/BVF/27W/80/A30/EM3H	D180xH124mmxØ170mm±1mm	BVF	2065	27W	77	30°
118865 Raylan D34013/FBS/27W/80/A30/EM3H	D180xH124mmxØ170mm±1mm	FBS	1635	27W	61	30°
118866 Raylan D34013/FZM/27W/80/A30/EM3H	D180xH124mmxØ170mm±1mm	FZM	1530	27W	57	30°
118867 Raylan D34013/FSM/27W/80/A30/EM3H	D180xH124mmxØ170mm±1mm	FSM	1530	27W	57	30°
118868 Raylan D34013/FSH/27W/80/A30/EM3H	D180xH124mmxØ170mm±1mm	FSH	2250	27W	84	30°
118869 Raylan D34013/BVF/27W/80/A45/EM3H	D180xH124mmxØ170mm±1mm	BVF	2065	27W	77	45°
118870 Raylan D34013/FBS/27W/80/A45/EM3H	D180xH124mmxØ170mm±1mm	FBS	1635	27W	61	45°
118871 Raylan D34013/FZM/27W/80/A45/EM3H	D180xH124mmxØ170mm±1mm	FZM	1530	27W	57	45°
118872 Raylan D34013/FSM/27W/80/A45/EM3H	D180xH124mmxØ170mm±1mm	FSM	1530	27W	57	45°
118873 Raylan D34013/FSH/27W/80/A45/EM3H	D180xH124mmxØ170mm±1mm	FSH	2250	27W	84	45°
118879 Raylan D34013/BVF/35W/80/A15/EM3H	D180xH124mmxØ170mm±1mm	BVF	2590	35W	74	15°

SKU SPECIFICATIONS

Product Code	Dimensions (mm)	CCT (K)	Lumens (lm)	Power (W)	Eff. (lm/watt)	Lens Angle (°)
<b>CRI 80</b>						
118880 Raylan D34013/FBS/35W/80/A15/EM3H	D180xH124mmxØ170mm±1mm	FBS	2115	35W	61	15°
118881 Raylan D34013/FZM/35W/80/A15/EM3H	D180xH124mmxØ170mm±1mm	FZM	1980	35W	57	15°
118882 Raylan D34013/FSM/35W/80/A15/EM3H	D180xH124mmxØ170mm±1mm	FSM	1980	35W	57	15°
118883 Raylan D34013/FSH/35W/80/A15/EM3H	D180xH124mmxØ170mm±1mm	FSH	2755	35W	79	15°
118884 Raylan D34013/BVF/35W/80/A30/EM3H	D180xH124mmxØ170mm±1mm	BVF	2590	35W	74	30°
118885 Raylan D34013/FBS/35W/80/A30/EM3H	D180xH124mmxØ170mm±1mm	FBS	2115	35W	61	30°
118886 Raylan D34013/FZM/35W/80/A30/EM3H	D180xH124mmxØ170mm±1mm	FZM	1980	35W	57	30°
118887 Raylan D34013/FSM/35W/80/A30/EM3H	D180xH124mmxØ170mm±1mm	FSM	1980	35W	57	30°
118888 Raylan D34013/FSH/35W/80/A30/EM3H	D180xH124mmxØ170mm±1mm	FSH	2755	35W	79	30°
118889 Raylan D34013/BVF/35W/80/A45/EM3H	D180xH124mmxØ170mm±1mm	BVF	2590	35W	74	45°
118890 Raylan D34013/FBS/35W/80/A45/EM3H	D180xH124mmxØ170mm±1mm	FBS	2115	35W	61	45°
118891 Raylan D34013/FZM/35W/80/A45/EM3H	D180xH124mmxØ170mm±1mm	FZM	1980	35W	57	45°
118892 Raylan D34013/FSM/35W/80/A45/EM3H	D180xH124mmxØ170mm±1mm	FSM	1980	35W	57	45°
118893 Raylan D34013/FSH/35W/80/A45/EM3H	D180xH124mmxØ170mm±1mm	FSH	2755	35W	79	45°
1181400 Raylan D34013_H80/2700/42W/80/A15/EM1H	D180xH159mmxØ170mm±1mm	2700	4200	42W	100	15°
1181401 Raylan D34013_H80/3000/42W/80/A15/EM1H	D180xH159mmxØ170mm±1mm	3000	4200	42W	100	15°
1181402 Raylan D34013_H80/3500/42W/80/A15/EM1H	D180xH159mmxØ170mm±1mm	3500	4330	42W	103	15°
1181403 Raylan D34013_H80/4000/42W/80/A15/EM1H	D180xH159mmxØ170mm±1mm	4000	4455	42W	106	15°
1181405 Raylan D34013_H80/2700/42W/80/A30/EM1H	D180xH159mmxØ170mm±1mm	2700	4200	42W	100	30°
1181406 Raylan D34013_H80/3000/42W/80/A30/EM1H	D180xH159mmxØ170mm±1mm	3000	4200	42W	100	30°
1181407 Raylan D34013_H80/3500/42W/80/A30/EM1H	D180xH159mmxØ170mm±1mm	3500	4330	42W	103	30°
1181408 Raylan D34013_H80/4000/42W/80/A30/EM1H	D180xH159mmxØ170mm±1mm	4000	4455	42W	106	30°
1181410 Raylan D34013_H80/2700/42W/80/A45/EM1H	D180xH159mmxØ170mm±1mm	2700	4200	42W	100	45°
1181411 Raylan D34013_H80/3000/42W/80/A45/EM1H	D180xH159mmxØ170mm±1mm	3000	4200	42W	100	45°
1181412 Raylan D34013_H80/3500/42W/80/A45/EM1H	D180xH159mmxØ170mm±1mm	3500	4330	42W	103	45°
1181413 Raylan D34013_H80/4000/42W/80/A45/EM1H	D180xH159mmxØ170mm±1mm	4000	4455	42W	106	45°
1181415 Raylan D34013_H80/2700/42W/80/A15/EM3H	D180xH159mmxØ170mm±1mm	2700	4200	42W	100	15°
1181416 Raylan D34013_H80/3000/42W/80/A15/EM3H	D180xH159mmxØ170mm±1mm	3000	4200	42W	100	15°
1181417 Raylan D34013_H80/3500/42W/80/A15/EM3H	D180xH159mmxØ170mm±1mm	3500	4330	42W	103	15°
1181418 Raylan D34013_H80/4000/42W/80/A15/EM3H	D180xH159mmxØ170mm±1mm	4000	4455	42W	106	15°
1181420 Raylan D34013_H80/2700/42W/80/A30/EM3H	D180xH159mmxØ170mm±1mm	2700	4200	42W	100	30°
1181421 Raylan D34013_H80/3000/42W/80/A30/EM3H	D180xH159mmxØ170mm±1mm	3000	4200	42W	100	30°
1181422 Raylan D34013_H80/3500/42W/80/A30/EM3H	D180xH159mmxØ170mm±1mm	3500	4330	42W	103	30°
1181423 Raylan D34013_H80/4000/42W/80/A30/EM3H	D180xH159mmxØ170mm±1mm	4000	4455	42W	106	30°
1181425 Raylan D34013_H80/2700/42W/80/A45/EM3H	D180xH159mmxØ170mm±1mm	2700	4200	42W	100	45°
1181426 Raylan D34013_H80/3000/42W/80/A45/EM3H	D180xH159mmxØ170mm±1mm	3000	4200	42W	100	45°
1181427 Raylan D34013_H80/3500/42W/80/A45/EM3H	D180xH159mmxØ170mm±1mm	3500	4330	42W	103	45°
1181428 Raylan D34013_H80/4000/42W/80/A45/EM3H	D180xH159mmxØ170mm±1mm	4000	4455	42W	106	45°
<b>CRI 93</b>						
1181000 Raylan D34021/AGI3000/17W/93/A20/EM1H	D140xH115mmxØ130mm±1mm	AGI3000	985	17W	58	20°
1181001 Raylan D34021/AGI3500/17W/93/A20/EM1H	D140xH115mmxØ130mm±1mm	AGI3500	1050	17W	62	20°
1181002 Raylan D34021/AGI4000/17W/93/A20/EM1H	D140xH115mmxØ130mm±1mm	AGI4000	1115	17W	66	20°
1181003 Raylan D34021/AGI3000/17W/93/A30/EM1H	D140xH115mmxØ130mm±1mm	AGI3000	985	17W	58	30°
1181004 Raylan D34021/AGI3500/17W/93/A30/EM1H	D140xH115mmxØ130mm±1mm	AGI3500	1050	17W	62	30°
1181005 Raylan D34021/AGI4000/17W/93/A30/EM1H	D140xH115mmxØ130mm±1mm	AGI4000	1115	17W	66	30°
1181006 Raylan D34021/AGI3000/17W/93/A45/EM1H	D140xH115mmxØ130mm±1mm	AGI3000	985	17W	58	45°
1181007 Raylan D34021/AGI3500/17W/93/A45/EM1H	D140xH115mmxØ130mm±1mm	AGI3500	1050	17W	62	45°
1181008 Raylan D34021/AGI4000/17W/93/A45/EM1H	D140xH115mmxØ130mm±1mm	AGI4000	1115	17W	66	45°
1181009 Raylan D34021/AGI3000/17W/93/A55/EM1H	D140xH115mmxØ130mm±1mm	AGI3000	985	17W	58	55°

SKU SPECIFICATIONS

Product Code	Dimensions (mm)	CCT (K)	Lumens (lm)	Power (W)	Eff. (lm/watt)	Lens Angle (°)
<b>CRI 93</b>						
1181010 Raylan D34021/AGI3500/17W/93/A55/EM1H	D140xH115mmxØ130mm±1mm	AGI3500	1050	17W	62	55°
1181011 Raylan D34021/AGI4000/17W/93/A55/EM1H	D140xH115mmxØ130mm±1mm	AGI4000	1115	17W	66	55°
1181012 Raylan D34021/AGI3000/23W/93/A20/EM1H	D140xH115mmxØ130mm±1mm	AGI3000	1330	23W	58	20°
1181013 Raylan D34021/AGI3500/23W/93/A20/EM1H	D140xH115mmxØ130mm±1mm	AGI3500	1440	23W	63	20°
1181014 Raylan D34021/AGI4000/23W/93/A20/EM1H	D140xH115mmxØ130mm±1mm	AGI4000	1550	23W	68	20°
1181015 Raylan D34021/AGI3000/23W/93/A30/EM1H	D140xH115mmxØ130mm±1mm	AGI3000	1330	23W	58	30°
1181016 Raylan D34021/AGI3500/23W/93/A30/EM1H	D140xH115mmxØ130mm±1mm	AGI3500	1440	23W	63	30°
1181017 Raylan D34021/AGI4000/23W/93/A30/EM1H	D140xH115mmxØ130mm±1mm	AGI4000	1550	23W	68	30°
1181018 Raylan D34021/AGI3000/23W/93/A45/EM1H	D140xH115mmxØ130mm±1mm	AGI3000	1330	23W	58	45°
1181019 Raylan D34021/AGI3500/23W/93/A45/EM1H	D140xH115mmxØ130mm±1mm	AGI3500	1440	23W	63	45°
1181020 Raylan D34021/AGI4000/23W/93/A45/EM1H	D140xH115mmxØ130mm±1mm	AGI4000	1550	23W	68	45°
1181021 Raylan D34021/AGI3000/23W/93/A55/EM1H	D140xH115mmxØ130mm±1mm	AGI3000	1330	23W	58	55°
1181022 Raylan D34021/AGI3500/23W/93/A55/EM1H	D140xH115mmxØ130mm±1mm	AGI3500	1440	23W	63	55°
1181023 Raylan D34021/AGI4000/23W/93/A55/EM1H	D140xH115mmxØ130mm±1mm	AGI4000	1550	23W	68	55°
1181024 Raylan D34021/AGI3000/29W/93/A20/EM1H	D140xH115mmxØ130mm±1mm	AGI3000	1680	29W	58	20°
1181025 Raylan D34021/AGI3500/29W/93/A20/EM1H	D140xH115mmxØ130mm±1mm	AGI3500	1820	29W	63	20°
1181026 Raylan D34021/AGI4000/29W/93/A20/EM1H	D140xH115mmxØ130mm±1mm	AGI4000	1960	29W	68	20°
1181027 Raylan D34021/AGI3000/29W/93/A30/EM1H	D140xH115mmxØ130mm±1mm	AGI3000	1680	29W	58	30°
1181028 Raylan D34021/AGI3500/29W/93/A30/EM1H	D140xH115mmxØ130mm±1mm	AGI3500	1820	29W	63	30°
1181029 Raylan D34021/AGI4000/29W/93/A30/EM1H	D140xH115mmxØ130mm±1mm	AGI4000	1960	29W	68	30°
1181030 Raylan D34021/AGI3000/29W/93/A45/EM1H	D140xH115mmxØ130mm±1mm	AGI3000	1680	29W	58	45°
1181031 Raylan D34021/AGI3500/29W/93/A45/EM1H	D140xH115mmxØ130mm±1mm	AGI3500	1820	29W	63	45°
1181032 Raylan D34021/AGI4000/29W/93/A45/EM1H	D140xH115mmxØ130mm±1mm	AGI4000	1960	29W	68	45°
1181033 Raylan D34021/AGI3000/29W/93/A55/EM1H	D140xH115mmxØ130mm±1mm	AGI3000	1680	29W	58	55°
1181034 Raylan D34021/AGI3500/29W/93/A55/EM1H	D140xH115mmxØ130mm±1mm	AGI3500	1820	29W	63	55°
1181035 Raylan D34021/AGI4000/29W/93/A55/EM1H	D140xH115mmxØ130mm±1mm	AGI4000	1960	29W	68	55°
1181036 Raylan D34021/AGI3000/34W/93/A20/EM1H	D140xH115mmxØ130mm±1mm	AGI3000	1900	34W	56	20°
1181037 Raylan D34021/AGI3500/34W/93/A20/EM1H	D140xH115mmxØ130mm±1mm	AGI3500	1995	34W	59	20°
1181038 Raylan D34021/AGI4000/34W/93/A20/EM1H	D140xH115mmxØ130mm±1mm	AGI4000	2095	34W	62	20°
1181039 Raylan D34021/AGI3000/34W/93/A30/EM1H	D140xH115mmxØ130mm±1mm	AGI3000	1900	34W	56	30°
1181040 Raylan D34021/AGI3500/34W/93/A30/EM1H	D140xH115mmxØ130mm±1mm	AGI3500	1995	34W	59	30°
1181041 Raylan D34021/AGI4000/34W/93/A30/EM1H	D140xH115mmxØ130mm±1mm	AGI4000	2095	34W	62	30°
1181042 Raylan D34021/AGI3000/34W/93/A45/EM1H	D140xH115mmxØ130mm±1mm	AGI3000	1900	34W	56	45°
1181043 Raylan D34021/AGI3500/34W/93/A45/EM1H	D140xH115mmxØ130mm±1mm	AGI3500	1995	34W	59	45°
1181044 Raylan D34021/AGI4000/34W/93/A45/EM1H	D140xH115mmxØ130mm±1mm	AGI4000	2095	34W	62	45°
1181045 Raylan D34021/AGI3000/34W/93/A55/EM1H	D140xH115mmxØ130mm±1mm	AGI3000	1900	34W	56	55°
1181046 Raylan D34021/AGI3500/34W/93/A55/EM1H	D140xH115mmxØ130mm±1mm	AGI3500	1995	34W	59	55°
1181047 Raylan D34021/AGI4000/34W/93/A55/EM1H	D140xH115mmxØ130mm±1mm	AGI4000	2095	34W	62	55°
1181048 Raylan D34013/AGI3000/17W/93/A15/EM1H	D180xH124mmxØ170mm±1mm	AGI3000	985	17W	58	15°
1181049 Raylan D34013/AGI3500/17W/93/A15/EM1H	D180xH124mmxØ170mm±1mm	AGI3500	1050	17W	62	15°
1181050 Raylan D34013/AGI4000/17W/93/A15/EM1H	D180xH124mmxØ170mm±1mm	AGI4000	1115	17W	66	15°
1181051 Raylan D34013/AGI3000/17W/93/A30/EM1H	D180xH124mmxØ170mm±1mm	AGI3000	985	17W	58	30°
1181052 Raylan D34013/AGI3500/17W/93/A30/EM1H	D180xH124mmxØ170mm±1mm	AGI3500	1050	17W	62	30°
1181053 Raylan D34013/AGI4000/17W/93/A30/EM1H	D180xH124mmxØ170mm±1mm	AGI4000	1115	17W	66	30°
1181054 Raylan D34013/AGI3000/17W/93/A45/EM1H	D180xH124mmxØ170mm±1mm	AGI3000	985	17W	58	45°
1181055 Raylan D34013/AGI3500/17W/93/A45/EM1H	D180xH124mmxØ170mm±1mm	AGI3500	1050	17W	62	45°
1181056 Raylan D34013/AGI4000/17W/93/A45/EM1H	D180xH124mmxØ170mm±1mm	AGI4000	1115	17W	66	45°
1181057 Raylan D34013/AGI3000/23W/93/A15/EM1H	D180xH124mmxØ170mm±1mm	AGI3000	1330	23W	58	15°
1181058 Raylan D34013/AGI3500/23W/93/A15/EM1H	D180xH124mmxØ170mm±1mm	AGI3500	1440	23W	63	15°
1181059 Raylan D34013/AGI4000/23W/93/A15/EM1H	D180xH124mmxØ170mm±1mm	AGI4000	1550	23W	68	15°

SKU SPECIFICATIONS

Product Code	Dimensions (mm)	CCT (K)	Lumens (lm)	Power (W)	Eff. (lm/watt)	Lens Angle (°)
<b>CRI 93</b>						
1181060 Raylan D34013/AGI3000/23W/93/A30/EM1H	D180xH124mmxØ170mm±1mm	AGI3000	1330	23W	58	30°
1181061 Raylan D34013/AGI3500/23W/93/A30/EM1H	D180xH124mmxØ170mm±1mm	AGI3500	1440	23W	63	30°
1181062 Raylan D34013/AGI4000/23W/93/A30/EM1H	D180xH124mmxØ170mm±1mm	AGI4000	1550	23W	68	30°
1181063 Raylan D34013/AGI3000/23W/93/A45/EM1H	D180xH124mmxØ170mm±1mm	AGI3000	1330	23W	58	45°
1181064 Raylan D34013/AGI3500/23W/93/A45/EM1H	D180xH124mmxØ170mm±1mm	AGI3500	1440	23W	63	45°
1181065 Raylan D34013/AGI4000/23W/93/A45/EM1H	D180xH124mmxØ170mm±1mm	AGI4000	1550	23W	68	45°
1181066 Raylan D34013/AGI3000/29W/93/A15/EM1H	D180xH124mmxØ170mm±1mm	AGI3000	1680	29W	58	15°
1181067 Raylan D34013/AGI3500/29W/93/A15/EM1H	D180xH124mmxØ170mm±1mm	AGI3500	1820	29W	63	15°
1181068 Raylan D34013/AGI4000/29W/93/A15/EM1H	D180xH124mmxØ170mm±1mm	AGI4000	1960	29W	68	15°
1181069 Raylan D34013/AGI3000/29W/93/A30/EM1H	D180xH124mmxØ170mm±1mm	AGI3000	1680	29W	58	30°
1181070 Raylan D34013/AGI3500/29W/93/A30/EM1H	D180xH124mmxØ170mm±1mm	AGI3500	1820	29W	63	30°
1181071 Raylan D34013/AGI4000/29W/93/A30/EM1H	D180xH124mmxØ170mm±1mm	AGI4000	1960	29W	68	30°
1181072 Raylan D34013/AGI3000/29W/93/A45/EM1H	D180xH124mmxØ170mm±1mm	AGI3000	1680	29W	58	45°
1181073 Raylan D34013/AGI3500/29W/93/A45/EM1H	D180xH124mmxØ170mm±1mm	AGI3500	1820	29W	63	45°
1181074 Raylan D34013/AGI4000/29W/93/A45/EM1H	D180xH124mmxØ170mm±1mm	AGI4000	1960	29W	68	45°
1181075 Raylan D34013/AGI3000/34W/93/A15/EM1H	D180xH124mmxØ170mm±1mm	AGI3000	1900	34W	56	15°
1181076 Raylan D34013/AGI3500/34W/93/A15/EM1H	D180xH124mmxØ170mm±1mm	AGI3500	1995	34W	59	15°
1181077 Raylan D34013/AGI4000/34W/93/A15/EM1H	D180xH124mmxØ170mm±1mm	AGI4000	2095	34W	62	15°
1181078 Raylan D34013/AGI3000/34W/93/A30/EM1H	D180xH124mmxØ170mm±1mm	AGI3000	1900	34W	56	30°
1181079 Raylan D34013/AGI3500/34W/93/A30/EM1H	D180xH124mmxØ170mm±1mm	AGI3500	1995	34W	59	30°
1181080 Raylan D34013/AGI4000/34W/93/A30/EM1H	D180xH124mmxØ170mm±1mm	AGI4000	2095	34W	62	30°
1181081 Raylan D34013/AGI3000/34W/93/A45/EM1H	D180xH124mmxØ170mm±1mm	AGI3000	1900	34W	56	45°
1181082 Raylan D34013/AGI3500/34W/93/A45/EM1H	D180xH124mmxØ170mm±1mm	AGI3500	1995	34W	59	45°
1181083 Raylan D34013/AGI4000/34W/93/A45/EM1H	D180xH124mmxØ170mm±1mm	AGI4000	2095	34W	62	45°
1181084 Raylan D34021/AGI3000/17W/93/A20/EM3H	D140xH115mmxØ130mm±1mm	AGI3000	985	17W	58	20°
1181085 Raylan D34021/AGI3500/17W/93/A20/EM3H	D140xH115mmxØ130mm±1mm	AGI3500	1050	17W	62	20°
1181086 Raylan D34021/AGI4000/17W/93/A20/EM3H	D140xH115mmxØ130mm±1mm	AGI4000	1115	17W	66	20°
1181087 Raylan D34021/AGI3000/17W/93/A30/EM3H	D140xH115mmxØ130mm±1mm	AGI3000	985	17W	58	30°
1181088 Raylan D34021/AGI3500/17W/93/A30/EM3H	D140xH115mmxØ130mm±1mm	AGI3500	1050	17W	62	30°
1181089 Raylan D34021/AGI4000/17W/93/A30/EM3H	D140xH115mmxØ130mm±1mm	AGI4000	1115	17W	66	30°
1181090 Raylan D34021/AGI3000/17W/93/A45/EM3H	D140xH115mmxØ130mm±1mm	AGI3000	985	17W	58	45°
1181091 Raylan D34021/AGI3500/17W/93/A45/EM3H	D140xH115mmxØ130mm±1mm	AGI3500	1050	17W	62	45°
1181092 Raylan D34021/AGI4000/17W/93/A45/EM3H	D140xH115mmxØ130mm±1mm	AGI4000	1115	17W	66	45°
1181093 Raylan D34021/AGI3000/17W/93/A55/EM3H	D140xH115mmxØ130mm±1mm	AGI3000	985	17W	58	55°
1181094 Raylan D34021/AGI3500/17W/93/A55/EM3H	D140xH115mmxØ130mm±1mm	AGI3500	1050	17W	62	55°
1181095 Raylan D34021/AGI4000/17W/93/A55/EM3H	D140xH115mmxØ130mm±1mm	AGI4000	1115	17W	66	55°
1181096 Raylan D34021/AGI3000/23W/93/A20/EM3H	D140xH115mmxØ130mm±1mm	AGI3000	1330	23W	58	20°
1181097 Raylan D34021/AGI3500/23W/93/A20/EM3H	D140xH115mmxØ130mm±1mm	AGI3500	1440	23W	63	20°
1181098 Raylan D34021/AGI4000/23W/93/A20/EM3H	D140xH115mmxØ130mm±1mm	AGI4000	1550	23W	68	20°
1181099 Raylan D34021/AGI3000/23W/93/A30/EM3H	D140xH115mmxØ130mm±1mm	AGI3000	1330	23W	58	30°
1181100 Raylan D34021/AGI3500/23W/93/A30/EM3H	D140xH115mmxØ130mm±1mm	AGI3500	1440	23W	63	30°
1181101 Raylan D34021/AGI4000/23W/93/A30/EM3H	D140xH115mmxØ130mm±1mm	AGI4000	1550	23W	68	30°
1181102 Raylan D34021/AGI3000/23W/93/A45/EM3H	D140xH115mmxØ130mm±1mm	AGI3000	1330	23W	58	45°
1181103 Raylan D34021/AGI3500/23W/93/A45/EM3H	D140xH115mmxØ130mm±1mm	AGI3500	1440	23W	63	45°
1181104 Raylan D34021/AGI4000/23W/93/A45/EM3H	D140xH115mmxØ130mm±1mm	AGI4000	1550	23W	68	45°
1181105 Raylan D34021/AGI3000/23W/93/A55/EM3H	D140xH115mmxØ130mm±1mm	AGI3000	1330	23W	58	55°
1181106 Raylan D34021/AGI3500/23W/93/A55/EM3H	D140xH115mmxØ130mm±1mm	AGI3500	1440	23W	63	55°
1181107 Raylan D34021/AGI4000/23W/93/A55/EM3H	D140xH115mmxØ130mm±1mm	AGI4000	1550	23W	68	55°
1181108 Raylan D34021/AGI3000/29W/93/A20/EM3H	D140xH115mmxØ130mm±1mm	AGI3000	1680	29W	58	20°
1181109 Raylan D34021/AGI3500/29W/93/A20/EM3H	D140xH115mmxØ130mm±1mm	AGI3500	1820	29W	63	20°

SKU SPECIFICATIONS

Product Code	Dimensions (mm)	CCT (K)	Lumens (lm)	Power (W)	Eff. (lm/watt)	Lens Angle (°)
<b>CRI 93</b>						
1181110 Raylan D34021/AGI4000/29W/93/A20/EM3H	D140xH115mmxØ130mm±1mm	AGI4000	1960	29W	68	20°
1181111 Raylan D34021/AGI3000/29W/93/A30/EM3H	D140xH115mmxØ130mm±1mm	AGI3000	1680	29W	58	30°
1181112 Raylan D34021/AGI3500/29W/93/A30/EM3H	D140xH115mmxØ130mm±1mm	AGI3500	1820	29W	63	30°
1181113 Raylan D34021/AGI4000/29W/93/A30/EM3H	D140xH115mmxØ130mm±1mm	AGI4000	1960	29W	68	30°
1181114 Raylan D34021/AGI3000/29W/93/A45/EM3H	D140xH115mmxØ130mm±1mm	AGI3000	1680	29W	58	45°
1181115 Raylan D34021/AGI3500/29W/93/A45/EM3H	D140xH115mmxØ130mm±1mm	AGI3500	1820	29W	63	45°
1181116 Raylan D34021/AGI4000/29W/93/A45/EM3H	D140xH115mmxØ130mm±1mm	AGI4000	1960	29W	68	45°
1181117 Raylan D34021/AGI3000/29W/93/A55/EM3H	D140xH115mmxØ130mm±1mm	AGI3000	1680	29W	58	55°
1181118 Raylan D34021/AGI3500/29W/93/A55/EM3H	D140xH115mmxØ130mm±1mm	AGI3500	1820	29W	63	55°
1181119 Raylan D34021/AGI4000/29W/93/A55/EM3H	D140xH115mmxØ130mm±1mm	AGI4000	1960	29W	68	55°
1181120 Raylan D34021/AGI3000/34W/93/A20/EM3H	D140xH115mmxØ130mm±1mm	AGI3000	1900	34W	56	20°
1181121 Raylan D34021/AGI3500/34W/93/A20/EM3H	D140xH115mmxØ130mm±1mm	AGI3500	1995	34W	59	20°
1181122 Raylan D34021/AGI4000/34W/93/A20/EM3H	D140xH115mmxØ130mm±1mm	AGI4000	2095	34W	62	20°
1181123 Raylan D34021/AGI3000/34W/93/A30/EM3H	D140xH115mmxØ130mm±1mm	AGI3000	1900	34W	56	30°
1181124 Raylan D34021/AGI3500/34W/93/A30/EM3H	D140xH115mmxØ130mm±1mm	AGI3500	1995	34W	59	30°
1181125 Raylan D34021/AGI4000/34W/93/A30/EM3H	D140xH115mmxØ130mm±1mm	AGI4000	2095	34W	62	30°
1181126 Raylan D34021/AGI3000/34W/93/A45/EM3H	D140xH115mmxØ130mm±1mm	AGI3000	1900	34W	56	45°
1181127 Raylan D34021/AGI3500/34W/93/A45/EM3H	D140xH115mmxØ130mm±1mm	AGI3500	1995	34W	59	45°
1181128 Raylan D34021/AGI4000/34W/93/A45/EM3H	D140xH115mmxØ130mm±1mm	AGI4000	2095	34W	62	45°
1181129 Raylan D34021/AGI3000/34W/93/A55/EM3H	D140xH115mmxØ130mm±1mm	AGI3000	1900	34W	56	55°
1181130 Raylan D34021/AGI3500/34W/93/A55/EM3H	D140xH115mmxØ130mm±1mm	AGI3500	1995	34W	59	55°
1181131 Raylan D34021/AGI4000/34W/93/A55/EM3H	D140xH115mmxØ130mm±1mm	AGI4000	2095	34W	62	55°
1181132 Raylan D34013/AGI3000/17W/93/A15/EM3H	D180xH124mmxØ170mm±1mm	AGI3000	985	17W	58	15°
1181133 Raylan D34013/AGI3500/17W/93/A15/EM3H	D180xH124mmxØ170mm±1mm	AGI3500	1050	17W	62	15°
1181134 Raylan D34013/AGI4000/17W/93/A15/EM3H	D180xH124mmxØ170mm±1mm	AGI4000	1115	17W	66	15°
1181135 Raylan D34013/AGI3000/17W/93/A30/EM3H	D180xH124mmxØ170mm±1mm	AGI3000	985	17W	58	30°
1181136 Raylan D34013/AGI3500/17W/93/A30/EM3H	D180xH124mmxØ170mm±1mm	AGI3500	1050	17W	62	30°
1181137 Raylan D34013/AGI4000/17W/93/A30/EM3H	D180xH124mmxØ170mm±1mm	AGI4000	1115	17W	66	30°
1181138 Raylan D34013/AGI3000/17W/93/A45/EM3H	D180xH124mmxØ170mm±1mm	AGI3000	985	17W	58	45°
1181139 Raylan D34013/AGI3500/17W/93/A45/EM3H	D180xH124mmxØ170mm±1mm	AGI3500	1050	17W	62	45°
1181140 Raylan D34013/AGI4000/17W/93/A45/EM3H	D180xH124mmxØ170mm±1mm	AGI4000	1115	17W	66	45°
1181141 Raylan D34013/AGI3000/23W/93/A15/EM3H	D180xH124mmxØ170mm±1mm	AGI3000	1330	23W	58	15°
1181142 Raylan D34013/AGI3500/23W/93/A15/EM3H	D180xH124mmxØ170mm±1mm	AGI3500	1440	23W	63	15°
1181143 Raylan D34013/AGI4000/23W/93/A15/EM3H	D180xH124mmxØ170mm±1mm	AGI4000	1550	23W	68	15°
1181144 Raylan D34013/AGI3000/23W/93/A30/EM3H	D180xH124mmxØ170mm±1mm	AGI3000	1330	23W	58	30°
1181145 Raylan D34013/AGI3500/23W/93/A30/EM3H	D180xH124mmxØ170mm±1mm	AGI3500	1440	23W	63	30°
1181146 Raylan D34013/AGI4000/23W/93/A30/EM3H	D180xH124mmxØ170mm±1mm	AGI4000	1550	23W	68	30°
1181147 Raylan D34013/AGI3000/23W/93/A45/EM3H	D180xH124mmxØ170mm±1mm	AGI3000	1330	23W	58	45°
1181148 Raylan D34013/AGI3500/23W/93/A45/EM3H	D180xH124mmxØ170mm±1mm	AGI3500	1440	23W	63	45°
1181149 Raylan D34013/AGI4000/23W/93/A45/EM3H	D180xH124mmxØ170mm±1mm	AGI4000	1550	23W	68	45°
1181150 Raylan D34013/AGI3000/29W/93/A15/EM3H	D180xH124mmxØ170mm±1mm	AGI3000	1680	29W	58	15°
1181151 Raylan D34013/AGI3500/29W/93/A15/EM3H	D180xH124mmxØ170mm±1mm	AGI3500	1820	29W	63	15°
1181152 Raylan D34013/AGI4000/29W/93/A15/EM3H	D180xH124mmxØ170mm±1mm	AGI4000	1960	29W	68	15°
1181153 Raylan D34013/AGI3000/29W/93/A30/EM3H	D180xH124mmxØ170mm±1mm	AGI3000	1680	29W	58	30°
1181154 Raylan D34013/AGI3500/29W/93/A30/EM3H	D180xH124mmxØ170mm±1mm	AGI3500	1820	29W	63	30°
1181155 Raylan D34013/AGI4000/29W/93/A30/EM3H	D180xH124mmxØ170mm±1mm	AGI4000	1960	29W	68	30°
1181156 Raylan D34013/AGI3000/29W/93/A45/EM3H	D180xH124mmxØ170mm±1mm	AGI3000	1680	29W	58	45°
1181157 Raylan D34013/AGI3500/29W/93/A45/EM3H	D180xH124mmxØ170mm±1mm	AGI3500	1820	29W	63	45°
1181158 Raylan D34013/AGI4000/29W/93/A45/EM3H	D180xH124mmxØ170mm±1mm	AGI4000	1960	29W	68	45°
1181159 Raylan D34013/AGI3000/34W/93/A15/EM3H	D180xH124mmxØ170mm±1mm	AGI3000	1900	34W	56	15°

SKU SPECIFICATIONS

Product Code	Dimensions (mm)	CCT (K)	Lumens (lm)	Power (W)	Eff. (lm/watt)	Lens Angle (°)
<b>CRI 93</b>						
1181160 Raylan D34013/AGI3500/34W/93/A15/EM3H	D180xH124mmxØ170mm±1mm	AGI3500	1995	34W	59	15°
1181161 Raylan D34013/AGI4000/34W/93/A15/EM3H	D180xH124mmxØ170mm±1mm	AGI4000	2095	34W	62	15°
1181162 Raylan D34013/AGI3000/34W/93/A30/EM3H	D180xH124mmxØ170mm±1mm	AGI3000	1900	34W	56	30°
1181163 Raylan D34013/AGI3500/34W/93/A30/EM3H	D180xH124mmxØ170mm±1mm	AGI3500	1995	34W	59	30°
1181164 Raylan D34013/AGI4000/34W/93/A30/EM3H	D180xH124mmxØ170mm±1mm	AGI4000	2095	34W	62	30°
1181165 Raylan D34013/AGI3000/34W/93/A45/EM3H	D180xH124mmxØ170mm±1mm	AGI3000	1900	34W	56	45°
1181166 Raylan D34013/AGI3500/34W/93/A45/EM3H	D180xH124mmxØ170mm±1mm	AGI3500	1995	34W	59	45°
1181167 Raylan D34013/AGI4000/34W/93/A45/EM3H	D180xH124mmxØ170mm±1mm	AGI4000	2095	34W	62	45°
<b>CRI 95</b>						
118511 Raylan D34021/FAS/14W/95/A20/EM1H	D140xH115mmxØ130mm±1mm	FAS	1145	14W	82	20°
118512 Raylan D34021/FAS/14W/95/A30/EM1H	D140xH115mmxØ130mm±1mm	FAS	1145	14W	82	30°
118513 Raylan D34021/FAS/14W/95/A45/EM1H	D140xH115mmxØ130mm±1mm	FAS	1145	14W	82	45°
118514 Raylan D34021/FAS/14W/95/A55/EM1H	D140xH115mmxØ130mm±1mm	FAS	1145	14W	82	55°
118515 Raylan D34021/FAS/20W/95/A20/EM1H	D140xH115mmxØ130mm±1mm	FAS	1510	20W	76	20°
118516 Raylan D34021/FAS/20W/95/A30/EM1H	D140xH115mmxØ130mm±1mm	FAS	1510	20W	76	30°
118517 Raylan D34021/FAS/20W/95/A45/EM1H	D140xH115mmxØ130mm±1mm	FAS	1510	20W	76	45°
118518 Raylan D34021/FAS/20W/95/A55/EM1H	D140xH115mmxØ130mm±1mm	FAS	1510	20W	76	55°
118519 Raylan D34021/FAS/27W/95/A20/EM1H	D140xH115mmxØ130mm±1mm	FAS	2080	27W	78	20°
118520 Raylan D34021/FAS/27W/95/A30/EM1H	D140xH115mmxØ130mm±1mm	FAS	2080	27W	78	30°
118521 Raylan D34021/FAS/27W/95/A45/EM1H	D140xH115mmxØ130mm±1mm	FAS	2080	27W	78	45°
118522 Raylan D34021/FAS/27W/95/A55/EM1H	D140xH115mmxØ130mm±1mm	FAS	2080	27W	78	55°
118523 Raylan D34021/FAS/35W/95/A20/EM1H	D140xH115mmxØ130mm±1mm	FAS	2535	35W	73	20°
118524 Raylan D34021/FAS/35W/95/A30/EM1H	D140xH115mmxØ130mm±1mm	FAS	2535	35W	73	30°
118525 Raylan D34021/FAS/35W/95/A45/EM1H	D140xH115mmxØ130mm±1mm	FAS	2535	35W	73	45°
118526 Raylan D34021/FAS/35W/95/A55/EM1H	D140xH115mmxØ130mm±1mm	FAS	2535	35W	73	55°
118527 Raylan D34013/FAS/14W/95/A15/EM1H	D180xH124mmxØ170mm±1mm	FAS	1145	14W	82	15°
118528 Raylan D34013/FAS/14W/95/A30/EM1H	D180xH124mmxØ170mm±1mm	FAS	1145	14W	82	30°
118529 Raylan D34013/FAS/14W/95/A45/EM1H	D180xH124mmxØ170mm±1mm	FAS	1145	14W	82	45°
118530 Raylan D34013/FAS/20W/95/A15/EM1H	D180xH124mmxØ170mm±1mm	FAS	1510	20W	76	15°
118531 Raylan D34013/FAS/20W/95/A30/EM1H	D180xH124mmxØ170mm±1mm	FAS	1510	20W	76	30°
118532 Raylan D34013/FAS/20W/95/A45/EM1H	D180xH124mmxØ170mm±1mm	FAS	1510	20W	76	45°
118533 Raylan D34013/FAS/27W/95/A15/EM1H	D180xH124mmxØ170mm±1mm	FAS	2080	27W	78	15°
118534 Raylan D34013/FAS/27W/95/A30/EM1H	D180xH124mmxØ170mm±1mm	FAS	2080	27W	78	30°
118535 Raylan D34013/FAS/27W/95/A45/EM1H	D180xH124mmxØ170mm±1mm	FAS	2080	27W	78	45°
118536 Raylan D34013/FAS/35W/95/A15/EM1H	D180xH124mmxØ170mm±1mm	FAS	2535	35W	73	15°
118537 Raylan D34013/FAS/35W/95/A30/EM1H	D180xH124mmxØ170mm±1mm	FAS	2535	35W	73	30°
118538 Raylan D34013/FAS/35W/95/A45/EM1H	D180xH124mmxØ170mm±1mm	FAS	2535	35W	73	45°
118791 Raylan D34021/FAS/14W/95/A20/EM3H	D140xH115mmxØ130mm±1mm	FAS	1145	14W	82	20°
118792 Raylan D34021/FAS/14W/95/A30/EM3H	D140xH115mmxØ130mm±1mm	FAS	1145	14W	82	30°
118793 Raylan D34021/FAS/14W/95/A45/EM3H	D140xH115mmxØ130mm±1mm	FAS	1145	14W	82	45°
118794 Raylan D34021/FAS/14W/95/A55/EM3H	D140xH115mmxØ130mm±1mm	FAS	1145	14W	82	55°
118795 Raylan D34021/FAS/20W/95/A20/EM3H	D140xH115mmxØ130mm±1mm	FAS	1510	20W	76	20°
118796 Raylan D34021/FAS/20W/95/A30/EM3H	D140xH115mmxØ130mm±1mm	FAS	1510	20W	76	30°
118797 Raylan D34021/FAS/20W/95/A45/EM3H	D140xH115mmxØ130mm±1mm	FAS	1510	20W	76	45°
118798 Raylan D34021/FAS/20W/95/A55/EM3H	D140xH115mmxØ130mm±1mm	FAS	1510	20W	76	55°
118799 Raylan D34021/FAS/27W/95/A20/EM3H	D140xH115mmxØ130mm±1mm	FAS	2080	27W	78	20°
118800 Raylan D34021/FAS/27W/95/A30/EM3H	D140xH115mmxØ130mm±1mm	FAS	2080	27W	78	30°
118801 Raylan D34021/FAS/27W/95/A45/EM3H	D140xH115mmxØ130mm±1mm	FAS	2080	27W	78	45°
118802 Raylan D34021/FAS/27W/95/A55/EM3H	D140xH115mmxØ130mm±1mm	FAS	2080	27W	78	55°

SKU SPECIFICATIONS

Product Code	Dimensions (mm)	CCT (K)	Lumens (lm)	Power (W)	Eff. (lm/watt)	Lens Angle (°)
<b>CRI 95</b>						
118803 Raylan D34021/FAS/35W/95/A20/EM3H	D140xH115mmxØ130mm±1mm	FAS	2535	35W	73	20°
118804 Raylan D34021/FAS/35W/95/A30/EM3H	D140xH115mmxØ130mm±1mm	FAS	2535	35W	73	30°
118805 Raylan D34021/FAS/35W/95/A45/EM3H	D140xH115mmxØ130mm±1mm	FAS	2535	35W	73	45°
118806 Raylan D34021/FAS/35W/95/A55/EM3H	D140xH115mmxØ130mm±1mm	FAS	2535	35W	73	55°
118807 Raylan D34013/FAS/14W/95/A15/EM3H	D180xH124mmxØ170mm±1mm	FAS	1145	14W	82	15°
118808 Raylan D34013/FAS/14W/95/A30/EM3H	D180xH124mmxØ170mm±1mm	FAS	1145	14W	82	30°
118809 Raylan D34013/FAS/14W/95/A45/EM3H	D180xH124mmxØ170mm±1mm	FAS	1145	14W	82	45°
118810 Raylan D34013/FAS/20W/95/A15/EM3H	D180xH124mmxØ170mm±1mm	FAS	1510	20W	76	15°
118811 Raylan D34013/FAS/20W/95/A30/EM3H	D180xH124mmxØ170mm±1mm	FAS	1510	20W	76	30°
118812 Raylan D34013/FAS/20W/95/A45/EM3H	D180xH124mmxØ170mm±1mm	FAS	1510	20W	76	45°
118813 Raylan D34013/FAS/27W/95/A15/EM3H	D180xH124mmxØ170mm±1mm	FAS	2080	27W	78	15°
118814 Raylan D34013/FAS/27W/95/A30/EM3H	D180xH124mmxØ170mm±1mm	FAS	2080	27W	78	30°
118815 Raylan D34013/FAS/27W/95/A45/EM3H	D180xH124mmxØ170mm±1mm	FAS	2080	27W	78	45°
118816 Raylan D34013/FAS/35W/95/A15/EM3H	D180xH124mmxØ170mm±1mm	FAS	2535	35W	73	15°
118817 Raylan D34013/FAS/35W/95/A30/EM3H	D180xH124mmxØ170mm±1mm	FAS	2535	35W	73	30°
118818 Raylan D34013/FAS/35W/95/A45/EM3H	D180xH124mmxØ170mm±1mm	FAS	2535	35W	73	45°
<b>CRI 98</b>						
118622 Raylan D34021/ART3000/27W/98/A20/EM1H	D140xH115mmxØ130mm±1mm	ART3000	1995	27W	74	20°
118623 Raylan D34021/ART3000/27W/98/A30/EM1H	D140xH115mmxØ130mm±1mm	ART3000	1995	27W	74	30°
118624 Raylan D34021/ART3000/27W/98/A45/EM1H	D140xH115mmxØ130mm±1mm	ART3000	1995	27W	74	45°
118625 Raylan D34021/ART3000/27W/98/A55/EM1H	D140xH115mmxØ130mm±1mm	ART3000	1995	27W	74	55°
118626 Raylan D34021/ART3000/35W/98/A20/EM1H	D140xH115mmxØ130mm±1mm	ART3000	2425	35W	70	20°
118627 Raylan D34021/ART3000/35W/98/A30/EM1H	D140xH115mmxØ130mm±1mm	ART3000	2425	35W	70	30°
118628 Raylan D34021/ART3000/35W/98/A45/EM1H	D140xH115mmxØ130mm±1mm	ART3000	2425	35W	70	45°
118629 Raylan D34021/ART3000/35W/98/A55/EM1H	D140xH115mmxØ130mm±1mm	ART3000	2425	35W	70	55°
118636 Raylan D34013/ART3000/27W/98/A15/EM1H	D180xH124mmxØ170mm±1mm	ART3000	1995	27W	74	15°
118637 Raylan D34013/ART3000/27W/98/A30/EM1H	D180xH124mmxØ170mm±1mm	ART3000	1995	27W	74	30°
118638 Raylan D34013/ART3000/27W/98/A45/EM1H	D180xH124mmxØ170mm±1mm	ART3000	1995	27W	74	45°
118639 Raylan D34013/ART3000/35W/98/A15/EM1H	D180xH124mmxØ170mm±1mm	ART3000	2425	35W	70	15°
118640 Raylan D34013/ART3000/35W/98/A30/EM1H	D180xH124mmxØ170mm±1mm	ART3000	2425	35W	70	30°
118641 Raylan D34013/ART3000/35W/98/A45/EM1H	D180xH124mmxØ170mm±1mm	ART3000	2425	35W	70	45°
118310 Raylan D34021/ART3000/27W/98/A20/EM3H	D140xH115mmxØ130mm±1mm	ART3000	1995	27W	74	20°
118311 Raylan D34021/ART3000/27W/98/A30/EM3H	D140xH115mmxØ130mm±1mm	ART3000	1995	27W	74	30°
118312 Raylan D34021/ART3000/27W/98/A45/EM3H	D140xH115mmxØ130mm±1mm	ART3000	1995	27W	74	45°
118313 Raylan D34021/ART3000/27W/98/A55/EM3H	D140xH115mmxØ130mm±1mm	ART3000	1995	27W	74	55°
118314 Raylan D34021/ART3000/35W/98/A20/EM3H	D140xH115mmxØ130mm±1mm	ART3000	2425	35W	70	20°
118315 Raylan D34021/ART3000/35W/98/A30/EM3H	D140xH115mmxØ130mm±1mm	ART3000	2425	35W	70	30°
118316 Raylan D34021/ART3000/35W/98/A45/EM3H	D140xH115mmxØ130mm±1mm	ART3000	2425	35W	70	45°
118317 Raylan D34021/ART3000/35W/98/A55/EM3H	D140xH115mmxØ130mm±1mm	ART3000	2425	35W	70	55°
118324 Raylan D34013/ART3000/27W/98/A15/EM3H	D180xH124mmxØ170mm±1mm	ART3000	1995	27W	74	15°
118325 Raylan D34013/ART3000/27W/98/A30/EM3H	D180xH124mmxØ170mm±1mm	ART3000	1995	27W	74	30°
118326 Raylan D34013/ART3000/27W/98/A45/EM3H	D180xH124mmxØ170mm±1mm	ART3000	1995	27W	74	45°
118327 Raylan D34013/ART3000/35W/98/A15/EM3H	D180xH124mmxØ170mm±1mm	ART3000	2425	35W	70	15°
118328 Raylan D34013/ART3000/35W/98/A30/EM3H	D180xH124mmxØ170mm±1mm	ART3000	2425	35W	70	30°
118329 Raylan D34013/ART3000/35W/98/A45/EM3H	D180xH124mmxØ170mm±1mm	ART3000	2425	35W	70	45°

Technical specifications can be modified without prior notice. All information is property of Greentek Lighting.  
 The presentation picture is for information purposes only. Latest document update: August 1, 2018 3:49 PM. [www.greentek.eu](http://www.greentek.eu)