



Tulip L

TRACK SPOTLIGHTS | PI-LED SERIES

A highly elegant, compact track spotlight. The radiator is encased in the aluminum housing, allowing for a smooth design. As all our track lights, the Tulip range includes several special color temperatures for food, art and fashion. Especially suitable for commercial spaces and showrooms that require a sleek, minimalistic luminaire.

PI-LED - Combines variable white light and light of the RGB color system in one single light source. It can vary the color temperature between 2700K - 6500K along Planckian curve in the course of a day.

The modern touch is given by the aluminum housing and three color options: signal white, jet black and white aluminum.

Available with different add-ons and controls:

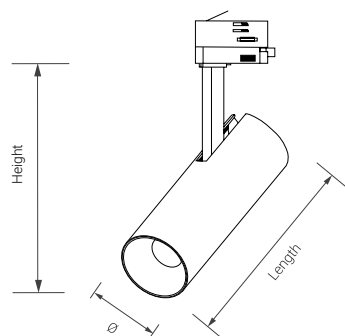
- Tulip L TEC – the standard for any project in the retail sector
- Tulip L ECO – with DALI controls for illumination adjustments
- Tulip L PI-LED – the even hormone balance, biorhythm and enhances wellbeing and vitality.

APPLICATION

High End Grocery & Supermarkets | Fashion Retailers | Hospitality | Art & Exhibitions

FEATURES & BENEFITS

- CRI 90 as standard
- Color temperature: PI-LED
- Long rated life: L70/B10@50,000h
- Luminaire efficiency: 54 lm/w @4000K



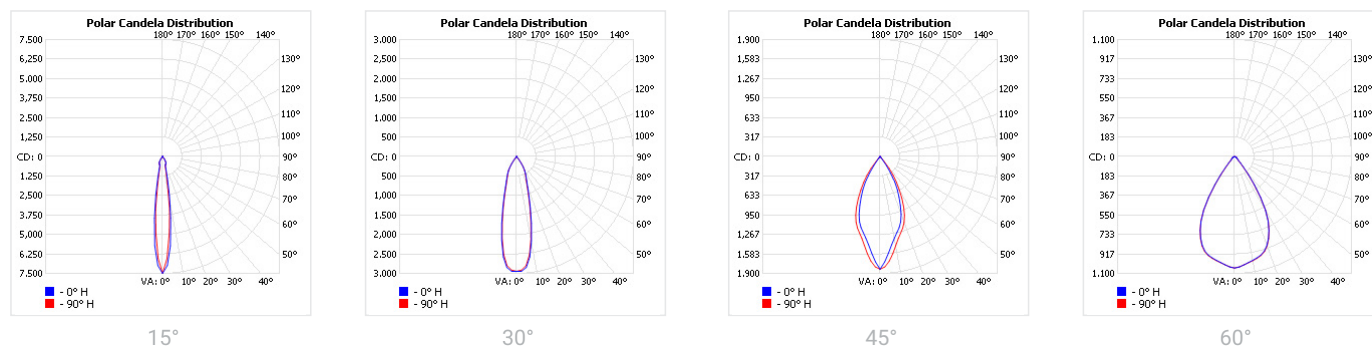
SPECIFICATIONS

Power consumption	26W
Dimensions	Ø110x240x279mm±1mm
Weight	1.9 kg
Housing materials	Aluminium, Glass
IK code	IK02
THD (at 230V, 50Hz, Full load)	<8%
Protection class	Safety class 1
Operating temperature [°C]	+10°C ... +45°C / +50F ... +113F
Operating humidity [%]	10 ÷ 85
Power factor	≥0.85
AC Input [Vac]	220 - 240
Lens angle [°]	15°, 30°, 45°, 60°
Lifespan [h]	50,000
Housing color	○ RAL 9003 - Signal white, ● RAL 9005 - Jet Black, ● RAL 9006 - White Aluminium
Lumen maintenance	L70/B10@50,000h at 25°C
IP factor	IP20
Control optional	ECO-DALI
Warranty [years]	5
Storage temperature range [°C]	-20°C ... +80°C / -4F ... +176F
Emergency option	-

#	Standard
CRI	CRI90
CCT [K]	PI
MacAdam	3

CRI - Color rendering, CCT - Color temperature, MacAdam - Color consistency

LIGHT DISTRIBUTION



RISK GROUP**RG0**

The evaluation of photobiological safety is carried out according to the standard IEC 62471:2008 ("Photobiological safety of lamps and lamp systems"). Following the definition of the risk grouping system of the mentioned IEC standard, the LEDs mounted on this family fall into the class "No Risk (RG0 – No photobiological hazard)". Under real circumstances (regarding exposure time, pupils, observation distance, it is assumed that there is no endangerment to the eye from these devices. As a matter of principle, however, it should be mentioned that intense light sources have a high secondary exposure potential due to their blinding effect.

TOLERANCES

Luminous flux tolerances: -/+ 5%

Consumption tolerance: -/+ 5% for TEC | -/+ 10% for TEC & KIT EM | -/+ 10% for ECO-DALI | -/+ 15% for ECO-DALI & KIT EM

BATTERY WARRANTY

TEC EM & ECO EM: 12 months warranty

TEC & ECO: -

MAXIMUM NO. OF LUMINAIRES ON A CIRCUIT

Power	Driver type	Control type	Circuit Breaker Type						
			Amperage	B			C		
				20	16	10	20	16	10
< 50W		TEC		37	30	18	62	51	31
≥ 50W		TEC		37	30	18	62	51	31
< 80W		ECO		27	21	13	45	35	21

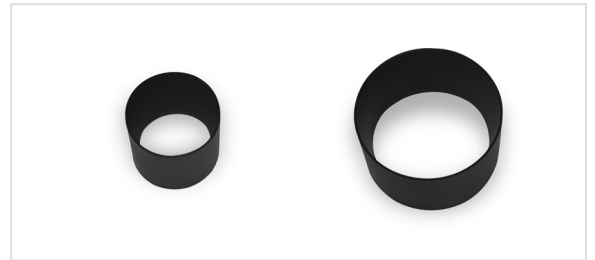
ACCESSORIES

Article Number

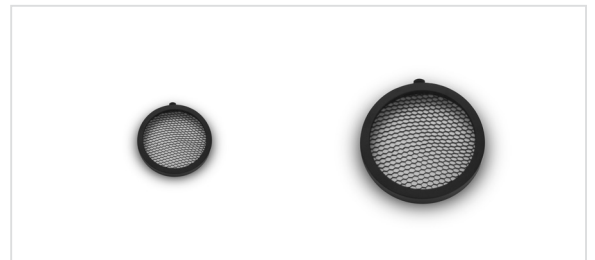
	Interior diameter	Color
	70, 110mm	Black
16400 GT1 BarnDoor/70mm/TulipS/B	General length	Compatibility
16409 GT1 BarnDoor/110mm/TulipL/B	96, 116mm	Tulip S, L
	Useful length	
	76, 100mm	



	Interior diameter	Color
	70, 110mm	Black
16403 GT1 DeepFront/70mm/TulipS/B	General length	Compatibility
16412 GT1 DeepFront/110mm/TulipL/B	70mm	Tulip S, L
	Useful length	
	55mm	



	Interior diameter	Color
	70, 110mm	Black
16406 GT1 HoneyComb/70mm/TulipS/B	General length	Compatibility
16415 GT1 HoneyComb/110mm/TulipL/B	70mm	Tulip S, L



SKU SPECIFICATIONS

Product Code	Dimensions (mm)	CCT (K)	Lumens (lm)	Power (W)	Eff. (lm/watt)	Lens Angle (°)
CRI 80						
264939 TulipL S34017R/PI/26W/90/A15	Ø110x240x279mm±1mm	PI	1400	26W	54	15°
264940 TulipL S34017R/PI/26W/90/A30	Ø110x240x279mm±1mm	PI	1400	26W	54	30°
264941 TulipL S34017R/PI/26W/90/A45	Ø110x240x279mm±1mm	PI	1400	26W	54	45°
264942 TulipL S34017R/PI/26W/90/A60	Ø110x240x279mm±1mm	PI	1400	26W	54	60°