



## Chase

### TRACK SPOTLIGHTS | TEC SERIES

Track spotlight with modern design. Can be equipped with a wide range of special temperature colors. Die-cast aluminum housing. Particularly suitable for accent lighting in retail and commercial spaces with five optics variants.

Chase track spotlight comes in several series, with various add-on and controls:

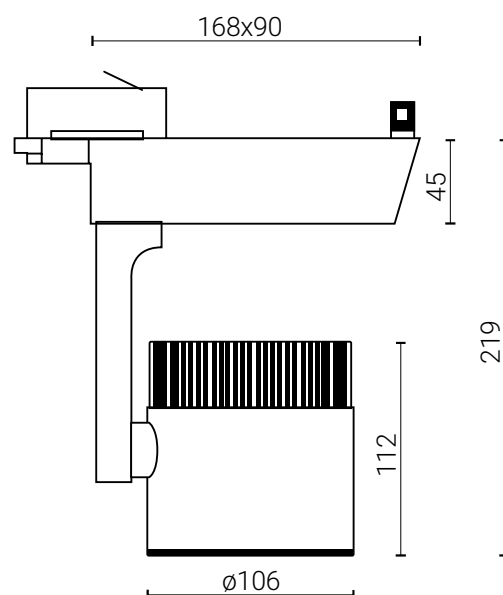
- Chase TEC – the standard for any project in the retail sectors
- Chase ECO-DALI DC-string – with DALI controls for dimming and C power lines for individual luminaire control

#### FEATURES & BENEFITS

- Spotlight head rotates through 350°, pivots through 90°
- Long rated life – 50,000h at 90% luminous flux
- Luminaire efficiency: 117lm/W @4000K
- Intelligent control through DALI protocol (only for ECO DC series)
- CRI > 80 as standard, up to 98 for certain special color temperatures

#### APPLICATION

Supermarket | Fashion | Retail | Hospitality | Exhibition | Architectural



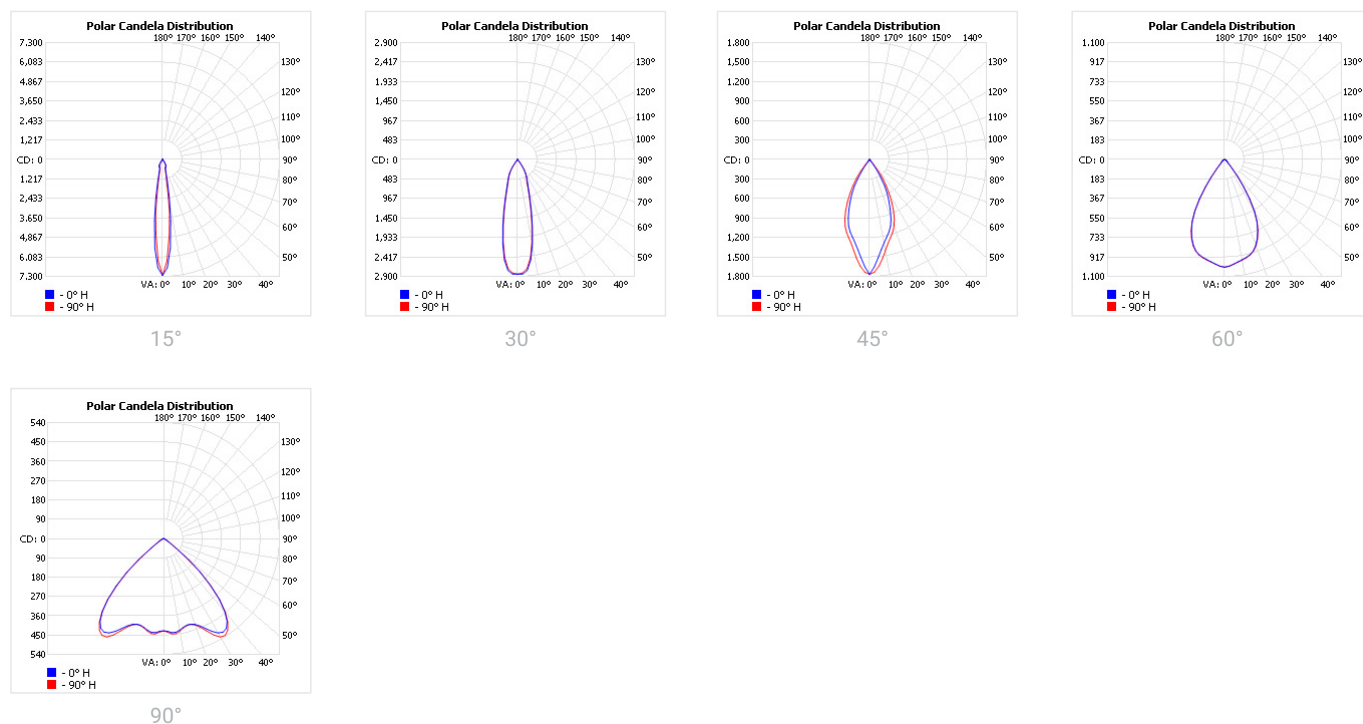
**SPECIFICATIONS**

Power consumption	14W, 17W, 20W, 23W, 27W, 29W, 34W, 35W, 42W
Dimensions	Ø106x168x219mm±1mm
Weight	1.6 - 1.7 Kg
Housing materials	Aluminium, Glass
IK code	IK02
THD (at 230V, 50Hz, Full load)	<20%
Protection class	Safety class 1
Operating temperature [°C]	-20°C ... +45°C / -4F ... +113F
Operating humidity [%]	10 ÷ 85
Power factor	≥0.95
AC Input [Vac]	220 - 240 VAC
Lens angle [°]	15°, 30°, 45°, 60°, 90°
Lifespan [h]	50,000
Housing color	○ RAL 9003 - Signal White, ● RAL 9005 - Jet Black, ● RAL 9006 - White Aluminium
Lumen maintenance	L90/B10@50,000h at 25°C
IP factor	IP20
Control optional	For more information please see <b>CHASE ECO-DALI DC-string</b> datasheet
Warranty [years]	5
Storage temperature range [°C]	-20°C ... +55°C / -4F ... +131F
Emergency option	-

#	Standard	Food	Fashion	AGI	Enhanced	ART	AMB	SUNSET
CRI	CRI80	CRI80	CRI95	CRI93	CRI90 / CRI95	CRI98	CRI80	CRI90
CCT [K]	2700 / 3000 / 3500 / 4000	BVF / FBS / FZM / FSM / FSH	FAS	AGI 3000 / 3500 / 4000	2700 / 3000 / 3500 / 4000	3000	2200	1800...2700
MacAdam	3	3 / 4 / 4 / 3 / 3	3	3	2	2	3	3

CRI - Color rendering, CCT - Color temperature, MacAdam - Color consistency

**LIGHT DISTRIBUTION**



**TOLERANCES**

**Luminous flux tolerances:** -/+ 5%

**Consumption tolerance:** -/+ 5% for TEC | -/+ 10% for TEC & KIT EM | -/+ 10% for ECO-DALI | -/+ 15% for ECO-DALI & KIT EM

**BATTERY WARRANTY**

**TEC EM & ECO EM:** 12 months warranty

**TEC & ECO:** -

**MAXIMUM NO. OF LUMINAIRES ON A CIRCUIT**

Power	Driver type	Control type	Circuit Breaker Type						
			Amperage	B			C		
				20	16	10	20	16	10
12-14W	SR	TEC		62	50	31	104	85	52
17-20W	SR	TEC		62	50	31	104	85	52
23-27W	SR	TEC		24	20	10	47	40	20
29-35W	SR	TEC		24	20	10	47	40	20
42W	SR	TEC		20	16	8	38	32	16
12-14W	SR	ECO		62	50	31	104	85	52
23-27W	SR	ECO		25	21	13	50	42	26
34-42W	SR	ECO		17	14	9	34	28	18

**RISK GROUP**

**Standard (CRI80)** RG1

**FOOD (BVF, FBS, FSM)** RG1

**FOOD <20W (FZM, FSH)** RG2 (dthr=1.8m)

**FOOD >20W (FZM, FSH)** RG2 (dthr=2.2m)

**FAS** RG1

**AMB2200** RG1

**ART** RG1

**AGI** RG1

**CRI95** RG1

**SUNSET** RG1

**RG1**

The evaluation of photobiological safety is carried out according to the standard IEC 62471:2008 ("Photobiological safety of lamps and lamp systems"). Following the definition of the risk grouping system of the mentioned IEC standard, the LEDs mounted on this family fall into the class "Low Risk (RG1 – No photobiological hazard under normal behavioral limitations)". Under real circumstances (regarding exposure time, pupils, observation distance), it is assumed that there is no endangerment to the eye from these devices. As a matter of principle, however, it should be mentioned that intense light sources have a high secondary exposure potential due to their blinding effect.

**RG2**

The evaluation of photobiological safety is carried out according to the standard IEC 62471:2008 ("Photobiological safety of lamps and lamp systems"). Following the definition of the risk grouping system of the mentioned IEC standard, the LEDs mounted on this family fall into the class "Moderate Risk (RG2)". Under real circumstances (regarding exposure time, pupils, observation distance), it is assumed that there is no endangerment to the eye from these devices. As a matter of principle, however, it should be mentioned that intense light sources have a high secondary exposure potential due to their blinding effect.

## SKU SPECIFICATIONS

Product Code	Dimensions (mm)	CCT (K)	Lumens (lm)	Power (W)	Eff. (lm/watt)	Lens Angle (°)
<b>CRI 80</b>						
104000 Chase S35006/2700/14W/80/A15	Ø106x168x219mm±1mm	2700	1485	14W	107	15°
104001 Chase S35006/3000/14W/80/A15	Ø106x168x219mm±1mm	3000	1500	14W	108	15°
104002 Chase S35006/3500/14W/80/A15	Ø106x168x219mm±1mm	3500	1540	14W	110	15°
104003 Chase S35006/4000/14W/80/A15	Ø106x168x219mm±1mm	4000	1570	14W	113	15°
104005 Chase S35006/2700/14W/80/A30	Ø106x168x219mm±1mm	2700	1485	14W	107	30°
104006 Chase S35006/3000/14W/80/A30	Ø106x168x219mm±1mm	3000	1500	14W	108	30°
104007 Chase S35006/3500/14W/80/A30	Ø106x168x219mm±1mm	3500	1540	14W	110	30°
104008 Chase S35006/4000/14W/80/A30	Ø106x168x219mm±1mm	4000	1570	14W	113	30°
104010 Chase S35006/2700/14W/80/A45	Ø106x168x219mm±1mm	2700	1485	14W	107	45°
104011 Chase S35006/3000/14W/80/A45	Ø106x168x219mm±1mm	3000	1500	14W	108	45°
104012 Chase S35006/3500/14W/80/A45	Ø106x168x219mm±1mm	3500	1540	14W	110	45°
104013 Chase S35006/4000/14W/80/A45	Ø106x168x219mm±1mm	4000	1570	14W	113	45°
104364 Chase S35006/2700/14W/80/A60	Ø106x168x219mm±1mm	2700	1485	14W	107	60°
104365 Chase S35006/3000/14W/80/A60	Ø106x168x219mm±1mm	3000	1500	14W	108	60°
104366 Chase S35006/3500/14W/80/A60	Ø106x168x219mm±1mm	3500	1540	14W	110	60°
104367 Chase S35006/4000/14W/80/A60	Ø106x168x219mm±1mm	4000	1570	14W	113	60°
104015 Chase S35013/2700/14W/80/A90	Ø106x168x219mm±1mm	2700	1485	14W	107	90°
104016 Chase S35013/3000/14W/80/A90	Ø106x168x219mm±1mm	3000	1500	14W	108	90°
104017 Chase S35013/3500/14W/80/A90	Ø106x168x219mm±1mm	3500	1540	14W	110	90°
104018 Chase S35013/4000/14W/80/A90	Ø106x168x219mm±1mm	4000	1570	14W	113	90°
104020 Chase S35006/2700/20W/80/A15	Ø106x168x219mm±1mm	2700	2080	20W	104	15°
104021 Chase S35006/3000/20W/80/A15	Ø106x168x219mm±1mm	3000	2100	20W	105	15°
104022 Chase S35006/3500/20W/80/A15	Ø106x168x219mm±1mm	3500	2160	20W	108	15°
104023 Chase S35006/4000/20W/80/A15	Ø106x168x219mm±1mm	4000	2200	20W	110	15°
104025 Chase S35006/2700/20W/80/A30	Ø106x168x219mm±1mm	2700	2080	20W	104	30°
104026 Chase S35006/3000/20W/80/A30	Ø106x168x219mm±1mm	3000	2100	20W	105	30°
104027 Chase S35006/3500/20W/80/A30	Ø106x168x219mm±1mm	3500	2160	20W	108	30°
104028 Chase S35006/4000/20W/80/A30	Ø106x168x219mm±1mm	4000	2200	20W	110	30°
104030 Chase S35006/2700/20W/80/A45	Ø106x168x219mm±1mm	2700	2080	20W	104	45°
104031 Chase S35006/3000/20W/80/A45	Ø106x168x219mm±1mm	3000	2100	20W	105	45°
104032 Chase S35006/3500/20W/80/A45	Ø106x168x219mm±1mm	3500	2160	20W	108	45°
104033 Chase S35006/4000/20W/80/A45	Ø106x168x219mm±1mm	4000	2200	20W	110	45°
104369 Chase S35006/2700/20W/80/A60	Ø106x168x219mm±1mm	2700	2080	20W	104	60°
104370 Chase S35006/3000/20W/80/A60	Ø106x168x219mm±1mm	3000	2100	20W	105	60°
104371 Chase S35006/3500/20W/80/A60	Ø106x168x219mm±1mm	3500	2160	20W	108	60°
104372 Chase S35006/4000/20W/80/A60	Ø106x168x219mm±1mm	4000	2200	20W	110	60°
104035 Chase S35013/2700/20W/80/A90	Ø106x168x219mm±1mm	2700	2080	20W	104	90°
104036 Chase S35013/3000/20W/80/A90	Ø106x168x219mm±1mm	3000	2100	20W	105	90°
104037 Chase S35013/3500/20W/80/A90	Ø106x168x219mm±1mm	3500	2160	20W	108	90°
104038 Chase S35013/4000/20W/80/A90	Ø106x168x219mm±1mm	4000	2200	20W	110	90°
104040 Chase S35006/2700/27W/80/A15	Ø106x168x219mm±1mm	2700	2945	27W	110	15°
104041 Chase S35006/3000/27W/80/A15	Ø106x168x219mm±1mm	3000	2970	27W	110	15°
104042 Chase S35006/3500/27W/80/A15	Ø106x168x219mm±1mm	3500	3055	27W	114	15°
104043 Chase S35006/4000/27W/80/A15	Ø106x168x219mm±1mm	4000	3135	27W	117	15°
104045 Chase S35006/2700/27W/80/A30	Ø106x168x219mm±1mm	2700	2945	27W	110	30°
104046 Chase S35006/3000/27W/80/A30	Ø106x168x219mm±1mm	3000	2970	27W	110	30°
104047 Chase S35006/3500/27W/80/A30	Ø106x168x219mm±1mm	3500	3055	27W	114	30°
104048 Chase S35006/4000/27W/80/A30	Ø106x168x219mm±1mm	4000	3135	27W	117	30°
104050 Chase S35006/2700/27W/80/A45	Ø106x168x219mm±1mm	2700	2945	27W	110	45°
104051 Chase S35006/3000/27W/80/A45	Ø106x168x219mm±1mm	3000	2970	27W	110	45°

## SKU SPECIFICATIONS

Product Code	Dimensions (mm)	CCT (K)	Lumens (lm)	Power (W)	Eff. (lm/watt)	Lens Angle (°)
<b>CRI 80</b>						
104052 Chase S35006/3500/27W/80/A45	Ø106x168x219mm±1mm	3500	3055	27W	114	45°
104053 Chase S35006/4000/27W/80/A45	Ø106x168x219mm±1mm	4000	3135	27W	117	45°
104374 Chase S35006/2700/27W/80/A60	Ø106x168x219mm±1mm	2700	2945	27W	110	60°
104375 Chase S35006/3000/27W/80/A60	Ø106x168x219mm±1mm	3000	2970	27W	110	60°
104376 Chase S35006/3500/27W/80/A60	Ø106x168x219mm±1mm	3500	3055	27W	114	60°
104377 Chase S35006/4000/27W/80/A60	Ø106x168x219mm±1mm	4000	3135	27W	117	60°
104055 Chase S35013/2700/27W/80/A90	Ø106x168x219mm±1mm	2700	2945	27W	110	90°
104056 Chase S35013/3000/27W/80/A90	Ø106x168x219mm±1mm	3000	2970	27W	110	90°
104057 Chase S35013/3500/27W/80/A90	Ø106x168x219mm±1mm	3500	3055	27W	114	90°
104058 Chase S35013/4000/27W/80/A90	Ø106x168x219mm±1mm	4000	3135	27W	117	90°
104060 Chase S35006/2700/35W/80/A15	Ø106x168x219mm±1mm	2700	3710	35W	106	15°
104061 Chase S35006/3000/35W/80/A15	Ø106x168x219mm±1mm	3000	3745	35W	107	15°
104062 Chase S35006/3500/35W/80/A15	Ø106x168x219mm±1mm	3500	3815	35W	109	15°
104063 Chase S35006/4000/35W/80/A15	Ø106x168x219mm±1mm	4000	3920	35W	112	15°
104065 Chase S35006/2700/35W/80/A30	Ø106x168x219mm±1mm	2700	3710	35W	106	30°
104066 Chase S35006/3000/35W/80/A30	Ø106x168x219mm±1mm	3000	3745	35W	107	30°
104067 Chase S35006/3500/35W/80/A30	Ø106x168x219mm±1mm	3500	3815	35W	109	30°
104068 Chase S35006/4000/35W/80/A30	Ø106x168x219mm±1mm	4000	3920	35W	112	30°
104070 Chase S35006/2700/35W/80/A45	Ø106x168x219mm±1mm	2700	3710	35W	106	45°
104071 Chase S35006/3000/35W/80/A45	Ø106x168x219mm±1mm	3000	3745	35W	107	45°
104072 Chase S35006/3500/35W/80/A45	Ø106x168x219mm±1mm	3500	3815	35W	109	45°
104073 Chase S35006/4000/35W/80/A45	Ø106x168x219mm±1mm	4000	3920	35W	112	45°
104379 Chase S35006/2700/35W/80/A60	Ø106x168x219mm±1mm	2700	3710	35W	106	60°
104380 Chase S35006/3000/35W/80/A60	Ø106x168x219mm±1mm	3000	3745	35W	107	60°
104381 Chase S35006/3500/35W/80/A60	Ø106x168x219mm±1mm	3500	3815	35W	109	60°
104382 Chase S35006/4000/35W/80/A60	Ø106x168x219mm±1mm	4000	3920	35W	112	60°
104075 Chase S35013/2700/35W/80/A90	Ø106x168x219mm±1mm	2700	3710	35W	106	90°
104076 Chase S35013/3000/35W/80/A90	Ø106x168x219mm±1mm	3000	3745	35W	107	90°
104077 Chase S35013/3500/35W/80/A90	Ø106x168x219mm±1mm	3500	3815	35W	109	90°
104078 Chase S35013/4000/35W/80/A90	Ø106x168x219mm±1mm	4000	3920	35W	112	90°
104080 Chase S35006/2700/42W/80/A15	Ø106x168x219mm±1mm	2700	4200	42W	100	15°
104081 Chase S35006/3000/42W/80/A15	Ø106x168x219mm±1mm	3000	4200	42W	100	15°
104082 Chase S35006/3500/42W/80/A15	Ø106x168x219mm±1mm	3500	4330	42W	103	15°
104083 Chase S35006/4000/42W/80/A15	Ø106x168x219mm±1mm	4000	4455	42W	106	15°
104085 Chase S35006/2700/42W/80/A30	Ø106x168x219mm±1mm	2700	4200	42W	100	30°
104086 Chase S35006/3000/42W/80/A30	Ø106x168x219mm±1mm	3000	4200	42W	100	30°
104087 Chase S35006/3500/42W/80/A30	Ø106x168x219mm±1mm	3500	4330	42W	103	30°
104088 Chase S35006/4000/42W/80/A30	Ø106x168x219mm±1mm	4000	4455	42W	106	30°
104090 Chase S35006/2700/42W/80/A45	Ø106x168x219mm±1mm	2700	4200	42W	100	45°
104091 Chase S35006/3000/42W/80/A45	Ø106x168x219mm±1mm	3000	4200	42W	100	45°
104092 Chase S35006/3500/42W/80/A45	Ø106x168x219mm±1mm	3500	4330	42W	103	45°
104093 Chase S35006/4000/42W/80/A45	Ø106x168x219mm±1mm	4000	4455	42W	106	45°
104384 Chase S35006/2700/42W/80/A60	Ø106x168x219mm±1mm	2700	4200	42W	100	60°
104385 Chase S35006/3000/42W/80/A60	Ø106x168x219mm±1mm	3000	4200	42W	100	60°
104386 Chase S35006/3500/42W/80/A60	Ø106x168x219mm±1mm	3500	4330	42W	103	60°
104387 Chase S35006/4000/42W/80/A60	Ø106x168x219mm±1mm	4000	4455	42W	106	60°
104095 Chase S35013/2700/42W/80/A90	Ø106x168x219mm±1mm	2700	4200	42W	100	90°
104096 Chase S35013/3000/42W/80/A90	Ø106x168x219mm±1mm	3000	4200	42W	100	90°
104097 Chase S35013/3500/42W/80/A90	Ø106x168x219mm±1mm	3500	4330	42W	103	90°
104098 Chase S35013/4000/42W/80/A90	Ø106x168x219mm±1mm	4000	4455	42W	106	90°

## SKU SPECIFICATIONS

Product Code	Dimensions (mm)	CCT (K)	Lumens (lm)	Power (W)	Eff. (lm/watt)	Lens Angle (°)
<b>CRI 80</b>						
104455 Chase S35006/BVF/14W/80/A15	Ø106x168x219mm±1mm	BVF	1080	14W	77	15°
104456 Chase S35006/FBS/14W/80/A15	Ø106x168x219mm±1mm	FBS	855	14W	61	15°
104457 Chase S35006/FZM/14W/80/A15	Ø106x168x219mm±1mm	FZM	800	14W	57	15°
104458 Chase S35006/FSM/14W/80/A15	Ø106x168x219mm±1mm	FSM	800	14W	57	15°
104487 Chase S35006/FSH/14W/80/A15	Ø106x168x219mm±1mm	FSH	1180	14W	84	15°
104459 Chase S35006/BVF/14W/80/A30	Ø106x168x219mm±1mm	BVF	1080	14W	77	30°
104460 Chase S35006/FBS/14W/80/A30	Ø106x168x219mm±1mm	FBS	855	14W	61	30°
104461 Chase S35006/FZM/14W/80/A30	Ø106x168x219mm±1mm	FZM	800	14W	57	30°
104462 Chase S35006/FSM/14W/80/A30	Ø106x168x219mm±1mm	FSM	800	14W	57	30°
104488 Chase S35006/FSH/14W/80/A30	Ø106x168x219mm±1mm	FSH	1180	14W	84	30°
104463 Chase S35006/BVF/14W/80/A45	Ø106x168x219mm±1mm	BVF	1080	14W	77	45°
104464 Chase S35006/FBS/14W/80/A45	Ø106x168x219mm±1mm	FBS	855	14W	61	45°
104465 Chase S35006/FZM/14W/80/A45	Ø106x168x219mm±1mm	FZM	800	14W	57	45°
104466 Chase S35006/FSM/14W/80/A45	Ø106x168x219mm±1mm	FSM	800	14W	57	45°
104489 Chase S35006/FSH/14W/80/A45	Ø106x168x219mm±1mm	FSH	1180	14W	84	45°
104467 Chase S35006/BVF/14W/80/A60	Ø106x168x219mm±1mm	BVF	1080	14W	77	60°
104468 Chase S35006/FBS/14W/80/A60	Ø106x168x219mm±1mm	FBS	855	14W	61	60°
104469 Chase S35006/FZM/14W/80/A60	Ø106x168x219mm±1mm	FZM	800	14W	57	60°
104470 Chase S35006/FSM/14W/80/A60	Ø106x168x219mm±1mm	FSM	800	14W	57	60°
104483 Chase S35006/FSH/14W/80/A60	Ø106x168x219mm±1mm	FSH	1180	14W	84	60°
104490 Chase S35006/BVF/20W/80/A15	Ø106x168x219mm±1mm	BVF	1540	20W	77	15°
104491 Chase S35006/FBS/20W/80/A15	Ø106x168x219mm±1mm	FBS	1220	20W	61	15°
104492 Chase S35006/FZM/20W/80/A15	Ø106x168x219mm±1mm	FZM	1140	20W	57	15°
104493 Chase S35006/FSM/20W/80/A15	Ø106x168x219mm±1mm	FSM	1140	20W	57	15°
104506 Chase S35006/FSH/20W/80/A15	Ø106x168x219mm±1mm	FSH	1680	20W	84	15°
104494 Chase S35006/BVF/20W/80/A30	Ø106x168x219mm±1mm	BVF	1540	20W	77	30°
104495 Chase S35006/FBS/20W/80/A30	Ø106x168x219mm±1mm	FBS	1220	20W	61	30°
104496 Chase S35006/FZM/20W/80/A30	Ø106x168x219mm±1mm	FZM	1140	20W	57	30°
104497 Chase S35006/FSM/20W/80/A30	Ø106x168x219mm±1mm	FSM	1140	20W	57	30°
104507 Chase S35006/FSH/20W/80/A30	Ø106x168x219mm±1mm	FSH	1680	20W	84	30°
104498 Chase S35006/BVF/20W/80/A45	Ø106x168x219mm±1mm	BVF	1540	20W	77	45°
104499 Chase S35006/FBS/20W/80/A45	Ø106x168x219mm±1mm	FBS	1220	20W	61	45°
104500 Chase S35006/FZM/20W/80/A45	Ø106x168x219mm±1mm	FZM	1140	20W	57	45°
104501 Chase S35006/FSM/20W/80/A45	Ø106x168x219mm±1mm	FSM	1140	20W	57	45°
104508 Chase S35006/FSH/20W/80/A45	Ø106x168x219mm±1mm	FSH	1680	20W	84	45°
104502 Chase S35006/BVF/20W/80/A60	Ø106x168x219mm±1mm	BVF	1540	20W	77	60°
104503 Chase S35006/FBS/20W/80/A60	Ø106x168x219mm±1mm	FBS	1220	20W	61	60°
104504 Chase S35006/FZM/20W/80/A60	Ø106x168x219mm±1mm	FZM	1140	20W	57	60°
104505 Chase S35006/FSM/20W/80/A60	Ø106x168x219mm±1mm	FSM	1140	20W	57	60°
104509 Chase S35006/FSH/20W/80/A60	Ø106x168x219mm±1mm	FSH	1680	20W	84	60°
104240 Chase S35006/BVF/27W/80/A15	Ø106x168x219mm±1mm	BVF	2065	27W	77	15°
104241 Chase S35006/FBS/27W/80/A15	Ø106x168x219mm±1mm	FBS	1635	27W	61	15°
104242 Chase S35006/FZM/27W/80/A15	Ø106x168x219mm±1mm	FZM	1530	27W	57	15°
104243 Chase S35006/FSM/27W/80/A15	Ø106x168x219mm±1mm	FSM	1530	27W	57	15°
104327 Chase S35006/FSH/27W/80/A15	Ø106x168x219mm±1mm	FSH	2250	27W	84	15°
104244 Chase S35006/BVF/27W/80/A30	Ø106x168x219mm±1mm	BVF	2065	27W	77	30°
104245 Chase S35006/FBS/27W/80/A30	Ø106x168x219mm±1mm	FBS	1635	27W	61	30°
104246 Chase S35006/FZM/27W/80/A30	Ø106x168x219mm±1mm	FZM	1530	27W	57	30°
104247 Chase S35006/FSM/27W/80/A30	Ø106x168x219mm±1mm	FSM	1530	27W	57	30°
104328 Chase S35006/FSH/27W/80/A30	Ø106x168x219mm±1mm	FSH	2250	27W	84	30°



## SKU SPECIFICATIONS

Product Code	Dimensions (mm)	CCT (K)	Lumens (lm)	Power (W)	Eff. (lm/watt)	Lens Angle (°)
<b>CRI 80</b>						
104248 Chase S35006/BVF/27W/80/A45	Ø106x168x219mm±1mm	BVF	2065	27W	77	45°
104249 Chase S35006/FBS/27W/80/A45	Ø106x168x219mm±1mm	FBS	1635	27W	61	45°
104250 Chase S35006/FZM/27W/80/A45	Ø106x168x219mm±1mm	FZM	1530	27W	57	45°
104251 Chase S35006/FSM/27W/80/A45	Ø106x168x219mm±1mm	FSM	1530	27W	57	45°
104329 Chase S35006/FSH/27W/80/A45	Ø106x168x219mm±1mm	FSH	2250	27W	84	45°
104471 Chase S35006/BVF/27W/80/A60	Ø106x168x219mm±1mm	BVF	2065	27W	77	60°
104472 Chase S35006/FBS/27W/80/A60	Ø106x168x219mm±1mm	FBS	1635	27W	61	60°
104473 Chase S35006/FZM/27W/80/A60	Ø106x168x219mm±1mm	FZM	1530	27W	57	60°
104474 Chase S35006/FSM/27W/80/A60	Ø106x168x219mm±1mm	FSM	1530	27W	57	60°
104484 Chase S35006/FSH/27W/80/A60	Ø106x168x219mm±1mm	FSH	2250	27W	84	60°
104252 Chase S35006/BVF/35W/80/A15	Ø106x168x219mm±1mm	BVF	2590	35W	74	15°
104253 Chase S35006/FBS/35W/80/A15	Ø106x168x219mm±1mm	FBS	2115	35W	61	15°
104254 Chase S35006/FZM/35W/80/A15	Ø106x168x219mm±1mm	FZM	1980	35W	57	15°
104255 Chase S35006/FSM/35W/80/A15	Ø106x168x219mm±1mm	FSM	1980	35W	57	15°
104331 Chase S35006/FSH/35W/80/A15	Ø106x168x219mm±1mm	FSH	2755	35W	79	15°
104256 Chase S35006/BVF/35W/80/A30	Ø106x168x219mm±1mm	BVF	2590	35W	74	30°
104257 Chase S35006/FBS/35W/80/A30	Ø106x168x219mm±1mm	FBS	2115	35W	61	30°
104258 Chase S35006/FZM/35W/80/A30	Ø106x168x219mm±1mm	FZM	1980	35W	57	30°
104259 Chase S35006/FSM/35W/80/A30	Ø106x168x219mm±1mm	FSM	1980	35W	57	30°
104332 Chase S35006/FSH/35W/80/A30	Ø106x168x219mm±1mm	FSH	2755	35W	79	30°
104260 Chase S35006/BVF/35W/80/A45	Ø106x168x219mm±1mm	BVF	2590	35W	74	45°
104261 Chase S35006/FBS/35W/80/A45	Ø106x168x219mm±1mm	FBS	2115	35W	61	45°
104262 Chase S35006/FZM/35W/80/A45	Ø106x168x219mm±1mm	FZM	1980	35W	57	45°
104263 Chase S35006/FSM/35W/80/A45	Ø106x168x219mm±1mm	FSM	1980	35W	57	45°
104333 Chase S35006/FSH/35W/80/A45	Ø106x168x219mm±1mm	FSH	2755	35W	79	45°
104475 Chase S35006/BVF/35W/80/A60	Ø106x168x219mm±1mm	BVF	2590	35W	74	60°
104476 Chase S35006/FBS/35W/80/A60	Ø106x168x219mm±1mm	FBS	2115	35W	61	60°
104477 Chase S35006/FZM/35W/80/A60	Ø106x168x219mm±1mm	FZM	1980	35W	57	60°
104478 Chase S35006/FSM/35W/80/A60	Ø106x168x219mm±1mm	FSM	1980	35W	57	60°
104485 Chase S35006/FSH/35W/80/A60	Ø106x168x219mm±1mm	FSH	2755	35W	79	60°
104264 Chase S35006/BVF/42W/80/A15	Ø106x168x219mm±1mm	BVF	2870	42W	69	15°
104265 Chase S35006/FBS/42W/80/A15	Ø106x168x219mm±1mm	FBS	2450	42W	59	15°
104266 Chase S35006/FZM/42W/80/A15	Ø106x168x219mm±1mm	FZM	2325	42W	56	15°
104267 Chase S35006/FSM/42W/80/A15	Ø106x168x219mm±1mm	FSM	2325	42W	56	15°
104335 Chase S35006/FSH/42W/80/A15	Ø106x168x219mm±1mm	FSH	3155	42W	76	15°
104268 Chase S35006/BVF/42W/80/A30	Ø106x168x219mm±1mm	BVF	2870	42W	69	30°
104269 Chase S35006/FBS/42W/80/A30	Ø106x168x219mm±1mm	FBS	2450	42W	59	30°
104270 Chase S35006/FZM/42W/80/A30	Ø106x168x219mm±1mm	FZM	2325	42W	56	30°
104271 Chase S35006/FSM/42W/80/A30	Ø106x168x219mm±1mm	FSM	2325	42W	56	30°
104336 Chase S35006/FSH/42W/80/A30	Ø106x168x219mm±1mm	FSH	3155	42W	76	30°
104272 Chase S35006/BVF/42W/80/A45	Ø106x168x219mm±1mm	BVF	2870	42W	69	45°
104273 Chase S35006/FBS/42W/80/A45	Ø106x168x219mm±1mm	FBS	2450	42W	59	45°
104274 Chase S35006/FZM/42W/80/A45	Ø106x168x219mm±1mm	FZM	2325	42W	56	45°
104275 Chase S35006/FSM/42W/80/A45	Ø106x168x219mm±1mm	FSM	2325	42W	56	45°
104337 Chase S35006/FSH/42W/80/A45	Ø106x168x219mm±1mm	FSH	3155	42W	76	45°
104479 Chase S35006/BVF/42W/80/A60	Ø106x168x219mm±1mm	BVF	2870	42W	69	60°
104480 Chase S35006/FBS/42W/80/A60	Ø106x168x219mm±1mm	FBS	2450	42W	59	60°
104481 Chase S35006/FZM/42W/80/A60	Ø106x168x219mm±1mm	FZM	2325	42W	56	60°
104482 Chase S35006/FSM/42W/80/A60	Ø106x168x219mm±1mm	FSM	2325	42W	56	60°
104486 Chase S35006/FSH/42W/80/A60	Ø106x168x219mm±1mm	FSH	3155	42W	76	60°

## SKU SPECIFICATIONS

Product Code	Dimensions (mm)	CCT (K)	Lumens (lm)	Power (W)	Eff. (lm/watt)	Lens Angle (°)
<b>CRI 80</b>						
104668 Chase S35006/AMB2200/14W/80/A15	Ø106x168x219mm±1mm	AMB2200	1020	14W	73	15°
104669 Chase S35006/AMB2200/14W/80/A30	Ø106x168x219mm±1mm	AMB2200	1020	14W	73	30°
104670 Chase S35006/AMB2200/14W/80/A45	Ø106x168x219mm±1mm	AMB2200	1020	14W	73	45°
104688 Chase S35006/AMB2200/14W/80/A60	Ø106x168x219mm±1mm	AMB2200	1020	14W	73	60°
104671 Chase S35013/AMB2200/14W/80/A90	Ø106x168x219mm±1mm	AMB2200	1020	14W	73	90°
104672 Chase S35006/AMB2200/20W/80/A15	Ø106x168x219mm±1mm	AMB2200	1410	20W	71	15°
104673 Chase S35006/AMB2200/20W/80/A30	Ø106x168x219mm±1mm	AMB2200	1410	20W	71	30°
104674 Chase S35006/AMB2200/20W/80/A45	Ø106x168x219mm±1mm	AMB2200	1410	20W	71	45°
104689 Chase S35006/AMB2200/20W/80/A60	Ø106x168x219mm±1mm	AMB2200	1410	20W	71	60°
104675 Chase S35013/AMB2200/20W/80/A90	Ø106x168x219mm±1mm	AMB2200	1410	20W	71	90°
104676 Chase S35006/AMB2200/27W/80/A15	Ø106x168x219mm±1mm	AMB2200	1870	27W	70	15°
104677 Chase S35006/AMB2200/27W/80/A30	Ø106x168x219mm±1mm	AMB2200	1870	27W	70	30°
104678 Chase S35006/AMB2200/27W/80/A45	Ø106x168x219mm±1mm	AMB2200	1870	27W	70	45°
104690 Chase S35006/AMB2200/27W/80/A60	Ø106x168x219mm±1mm	AMB2200	1870	27W	70	60°
104679 Chase S35013/AMB2200/27W/80/A90	Ø106x168x219mm±1mm	AMB2200	1870	27W	70	90°
104680 Chase S35006/AMB2200/35W/80/A15	Ø106x168x219mm±1mm	AMB2200	2585	35W	74	15°
104681 Chase S35006/AMB2200/35W/80/A30	Ø106x168x219mm±1mm	AMB2200	2585	35W	74	30°
104682 Chase S35006/AMB2200/35W/80/A45	Ø106x168x219mm±1mm	AMB2200	2585	35W	74	45°
104691 Chase S35006/AMB2200/35W/80/A60	Ø106x168x219mm±1mm	AMB2200	2585	35W	74	60°
104683 Chase S35013/AMB2200/35W/80/A90	Ø106x168x219mm±1mm	AMB2200	2585	35W	74	90°
104684 Chase S35006/AMB2200/42W/80/A15	Ø106x168x219mm±1mm	AMB2200	2930	42W	70	15°
104685 Chase S35006/AMB2200/42W/80/A30	Ø106x168x219mm±1mm	AMB2200	2930	42W	70	30°
104686 Chase S35006/AMB2200/42W/80/A45	Ø106x168x219mm±1mm	AMB2200	2930	42W	70	45°
104692 Chase S35006/AMB2200/42W/80/A60	Ø106x168x219mm±1mm	AMB2200	2930	42W	70	60°
104687 Chase S35013/AMB2200/42W/80/A90	Ø106x168x219mm±1mm	AMB2200	2930	42W	70	90°
<b>CRI 93</b>						
104513 Chase S35006/AGI3000/17W/93/A15	Ø106x168x219mm±1mm	AGI3000	985	17W	58	15°
104514 Chase S35006/AGI3500/17W/93/A15	Ø106x168x219mm±1mm	AGI3500	1050	17W	62	15°
104515 Chase S35006/AGI4000/17W/93/A15	Ø106x168x219mm±1mm	AGI4000	1115	17W	66	15°
104516 Chase S35006/AGI3000/17W/93/A30	Ø106x168x219mm±1mm	AGI3000	985	17W	58	30°
104517 Chase S35006/AGI3500/17W/93/A30	Ø106x168x219mm±1mm	AGI3500	1050	17W	62	30°
104518 Chase S35006/AGI4000/17W/93/A30	Ø106x168x219mm±1mm	AGI4000	1115	17W	66	30°
104519 Chase S35006/AGI3000/17W/93/A45	Ø106x168x219mm±1mm	AGI3000	985	17W	58	45°
104520 Chase S35006/AGI3500/17W/93/A45	Ø106x168x219mm±1mm	AGI3500	1050	17W	62	45°
104521 Chase S35006/AGI4000/17W/93/A45	Ø106x168x219mm±1mm	AGI4000	1115	17W	66	45°
104522 Chase S35006/AGI3000/17W/93/A60	Ø106x168x219mm±1mm	AGI3000	985	17W	58	60°
104523 Chase S35006/AGI3500/17W/93/A60	Ø106x168x219mm±1mm	AGI3500	1050	17W	62	60°
104524 Chase S35006/AGI4000/17W/93/A60	Ø106x168x219mm±1mm	AGI4000	1115	17W	66	60°
104525 Chase S35013/AGI3000/17W/93/A90	Ø106x168x219mm±1mm	AGI3000	985	17W	58	90°
104526 Chase S35013/AGI3500/17W/93/A90	Ø106x168x219mm±1mm	AGI3500	1050	17W	62	90°
104527 Chase S35013/AGI4000/17W/93/A90	Ø106x168x219mm±1mm	AGI4000	1115	17W	66	90°
104531 Chase S35006/AGI3000/23W/93/A15	Ø106x168x219mm±1mm	AGI3000	1330	23W	58	15°
104532 Chase S35006/AGI3500/23W/93/A15	Ø106x168x219mm±1mm	AGI3500	1440	23W	63	15°
104533 Chase S35006/AGI4000/23W/93/A15	Ø106x168x219mm±1mm	AGI4000	1550	23W	68	15°
104534 Chase S35006/AGI3000/23W/93/A30	Ø106x168x219mm±1mm	AGI3000	1330	23W	58	30°
104535 Chase S35006/AGI3500/23W/93/A30	Ø106x168x219mm±1mm	AGI3500	1440	23W	63	30°
104536 Chase S35006/AGI4000/23W/93/A30	Ø106x168x219mm±1mm	AGI4000	1550	23W	68	30°
104537 Chase S35006/AGI3000/23W/93/A45	Ø106x168x219mm±1mm	AGI3000	1330	23W	58	45°
104538 Chase S35006/AGI3500/23W/93/A45	Ø106x168x219mm±1mm	AGI3500	1440	23W	63	45°



## SKU SPECIFICATIONS

Product Code	Dimensions (mm)	CCT (K)	Lumens (lm)	Power (W)	Eff. (lm/watt)	Lens Angle (°)
<b>CRI 93</b>						
104539 Chase S35006/AGI4000/23W/93/A45	Ø106x168x219mm±1mm	AGI4000	1550	23W	68	45°
104540 Chase S35006/AGI3000/23W/93/A60	Ø106x168x219mm±1mm	AGI3000	1330	23W	58	60°
104541 Chase S35006/AGI3500/23W/93/A60	Ø106x168x219mm±1mm	AGI3500	1440	23W	63	60°
104542 Chase S35006/AGI4000/23W/93/A60	Ø106x168x219mm±1mm	AGI4000	1550	23W	68	60°
104543 Chase S35013/AGI3000/23W/93/A90	Ø106x168x219mm±1mm	AGI3000	1330	23W	58	90°
104544 Chase S35013/AGI3500/23W/93/A90	Ø106x168x219mm±1mm	AGI3500	1440	23W	63	90°
104545 Chase S35013/AGI4000/23W/93/A90	Ø106x168x219mm±1mm	AGI4000	1550	23W	68	90°
104549 Chase S35006/AGI3000/29W/93/A15	Ø106x168x219mm±1mm	AGI3000	1680	29W	58	15°
104550 Chase S35006/AGI3500/29W/93/A15	Ø106x168x219mm±1mm	AGI3500	1820	29W	63	15°
104551 Chase S35006/AGI4000/29W/93/A15	Ø106x168x219mm±1mm	AGI4000	1960	29W	68	15°
104552 Chase S35006/AGI3000/29W/93/A30	Ø106x168x219mm±1mm	AGI3000	1680	29W	58	30°
104553 Chase S35006/AGI3500/29W/93/A30	Ø106x168x219mm±1mm	AGI3500	1820	29W	63	30°
104554 Chase S35006/AGI4000/29W/93/A30	Ø106x168x219mm±1mm	AGI4000	1960	29W	68	30°
104555 Chase S35006/AGI3000/29W/93/A45	Ø106x168x219mm±1mm	AGI3000	1680	29W	58	45°
104556 Chase S35006/AGI3500/29W/93/A45	Ø106x168x219mm±1mm	AGI3500	1820	29W	63	45°
104557 Chase S35006/AGI4000/29W/93/A45	Ø106x168x219mm±1mm	AGI4000	1960	29W	68	45°
104558 Chase S35006/AGI3000/29W/93/A60	Ø106x168x219mm±1mm	AGI3000	1680	29W	58	60°
104559 Chase S35006/AGI3500/29W/93/A60	Ø106x168x219mm±1mm	AGI3500	1820	29W	63	60°
104560 Chase S35006/AGI4000/29W/93/A60	Ø106x168x219mm±1mm	AGI4000	1960	29W	68	60°
104561 Chase S35013/AGI3000/29W/93/A90	Ø106x168x219mm±1mm	AGI3000	1680	29W	58	90°
104562 Chase S35013/AGI3500/29W/93/A90	Ø106x168x219mm±1mm	AGI3500	1820	29W	63	90°
104563 Chase S35013/AGI4000/29W/93/A90	Ø106x168x219mm±1mm	AGI4000	1960	29W	68	90°
104567 Chase S35006/AGI3000/34W/93/A15	Ø106x168x219mm±1mm	AGI3000	1900	34W	56	15°
104568 Chase S35006/AGI3500/34W/93/A15	Ø106x168x219mm±1mm	AGI3500	1995	34W	59	15°
104569 Chase S35006/AGI4000/34W/93/A15	Ø106x168x219mm±1mm	AGI4000	2095	34W	62	15°
104570 Chase S35006/AGI3000/34W/93/A30	Ø106x168x219mm±1mm	AGI3000	1900	34W	56	30°
104571 Chase S35006/AGI3500/34W/93/A30	Ø106x168x219mm±1mm	AGI3500	1995	34W	59	30°
104572 Chase S35006/AGI4000/34W/93/A30	Ø106x168x219mm±1mm	AGI4000	2095	34W	62	30°
104573 Chase S35006/AGI3000/34W/93/A45	Ø106x168x219mm±1mm	AGI3000	1900	34W	56	45°
104574 Chase S35006/AGI3500/34W/93/A45	Ø106x168x219mm±1mm	AGI3500	1995	34W	59	45°
104575 Chase S35006/AGI4000/34W/93/A45	Ø106x168x219mm±1mm	AGI4000	2095	34W	62	45°
104576 Chase S35006/AGI3000/34W/93/A60	Ø106x168x219mm±1mm	AGI3000	1900	34W	56	60°
104577 Chase S35006/AGI3500/34W/93/A60	Ø106x168x219mm±1mm	AGI3500	1995	34W	59	60°
104578 Chase S35006/AGI4000/34W/93/A60	Ø106x168x219mm±1mm	AGI4000	2095	34W	62	60°
104579 Chase S35013/AGI3000/34W/93/A90	Ø106x168x219mm±1mm	AGI3000	1900	34W	56	90°
104580 Chase S35013/AGI3500/34W/93/A90	Ø106x168x219mm±1mm	AGI3500	1995	34W	59	90°
104581 Chase S35013/AGI4000/34W/93/A90	Ø106x168x219mm±1mm	AGI4000	2095	34W	62	90°
<b>CRI 95</b>						
104294 Chase S35006/FAS/27W/95/A15	Ø106x168x219mm±1mm	FAS	2080	27W	78	15°
104295 Chase S35006/FAS/27W/95/A30	Ø106x168x219mm±1mm	FAS	2080	27W	78	30°
104296 Chase S35006/FAS/27W/95/A45	Ø106x168x219mm±1mm	FAS	2080	27W	78	45°
104297 Chase S35006/FAS/35W/95/A15	Ø106x168x219mm±1mm	FAS	2535	35W	73	15°
104298 Chase S35006/FAS/35W/95/A30	Ø106x168x219mm±1mm	FAS	2535	35W	73	30°
104299 Chase S35006/FAS/35W/95/A45	Ø106x168x219mm±1mm	FAS	2535	35W	73	45°
104300 Chase S35006/FAS/42W/95/A15	Ø106x168x219mm±1mm	FAS	2930	42W	70	15°
104301 Chase S35006/FAS/42W/95/A30	Ø106x168x219mm±1mm	FAS	2930	42W	70	30°
104302 Chase S35006/FAS/42W/95/A45	Ø106x168x219mm±1mm	FAS	2930	42W	70	45°
104447 Chase S35006/FAS/27W/95/A60	Ø106x168x219mm±1mm	FAS	2080	27W	78	60°
104448 Chase S35013/FAS/27W/95/A90	Ø106x168x219mm±1mm	FAS	2080	27W	78	90°

## SKU SPECIFICATIONS

Product Code	Dimensions (mm)	CCT (K)	Lumens (lm)	Power (W)	Eff. (lm/watt)	Lens Angle (°)
<b>CRI 95</b>						
104450 Chase S35006/FAS/35W/95/A60	Ø106x168x219mm±1mm	FAS	2535	35W	73	60°
104451 Chase S35013/FAS/35W/95/A90	Ø106x168x219mm±1mm	FAS	2535	35W	73	90°
104453 Chase S35006/FAS/42W/95/A60	Ø106x168x219mm±1mm	FAS	2930	42W	70	60°
104454 Chase S35013/FAS/42W/95/A90	Ø106x168x219mm±1mm	FAS	2930	42W	70	90°
104582 Chase S35006/2700/14W/95/A15	Ø106x168x219mm±1mm	2700	1225	14W	88	15°
104583 Chase S35006/3000/14W/95/A15	Ø106x168x219mm±1mm	3000	1240	14W	89	15°
104584 Chase S35006/3500/14W/95/A15	Ø106x168x219mm±1mm	3500	1270	14W	91	15°
104585 Chase S35006/4000/14W/95/A15	Ø106x168x219mm±1mm	4000	1295	14W	93	15°
104586 Chase S35006/2700/14W/95/A30	Ø106x168x219mm±1mm	2700	1225	14W	88	30°
104587 Chase S35006/3000/14W/95/A30	Ø106x168x219mm±1mm	3000	1240	14W	89	30°
104588 Chase S35006/3500/14W/95/A30	Ø106x168x219mm±1mm	3500	1270	14W	91	30°
104589 Chase S35006/4000/14W/95/A30	Ø106x168x219mm±1mm	4000	1295	14W	93	30°
104590 Chase S35006/2700/14W/95/A45	Ø106x168x219mm±1mm	2700	1225	14W	88	45°
104591 Chase S35006/3000/14W/95/A45	Ø106x168x219mm±1mm	3000	1240	14W	89	45°
104592 Chase S35006/3500/14W/95/A45	Ø106x168x219mm±1mm	3500	1270	14W	91	45°
104593 Chase S35006/4000/14W/95/A45	Ø106x168x219mm±1mm	4000	1295	14W	93	45°
104594 Chase S35013/2700/14W/95/A90	Ø106x168x219mm±1mm	2700	1225	14W	88	90°
104595 Chase S35013/3000/14W/95/A90	Ø106x168x219mm±1mm	3000	1240	14W	89	90°
104596 Chase S35013/3500/14W/95/A90	Ø106x168x219mm±1mm	3500	1270	14W	91	90°
104597 Chase S35013/4000/14W/95/A90	Ø106x168x219mm±1mm	4000	1295	14W	93	90°
104598 Chase S35006/2700/20W/95/A15	Ø106x168x219mm±1mm	2700	1655	20W	83	15°
104599 Chase S35006/3000/20W/95/A15	Ø106x168x219mm±1mm	3000	1675	20W	84	15°
104600 Chase S35006/3500/20W/95/A15	Ø106x168x219mm±1mm	3500	1720	20W	86	15°
104601 Chase S35006/4000/20W/95/A15	Ø106x168x219mm±1mm	4000	1750	20W	88	15°
104602 Chase S35006/2700/20W/95/A30	Ø106x168x219mm±1mm	2700	1655	20W	83	30°
104603 Chase S35006/3000/20W/95/A30	Ø106x168x219mm±1mm	3000	1675	20W	84	30°
104604 Chase S35006/3500/20W/95/A30	Ø106x168x219mm±1mm	3500	1720	20W	86	30°
104605 Chase S35006/4000/20W/95/A30	Ø106x168x219mm±1mm	4000	1750	20W	88	30°
104606 Chase S35006/2700/20W/95/A45	Ø106x168x219mm±1mm	2700	1655	20W	83	45°
104607 Chase S35006/3000/20W/95/A45	Ø106x168x219mm±1mm	3000	1675	20W	84	45°
104608 Chase S35006/3500/20W/95/A45	Ø106x168x219mm±1mm	3500	1720	20W	86	45°
104609 Chase S35006/4000/20W/95/A45	Ø106x168x219mm±1mm	4000	1750	20W	88	45°
104610 Chase S35013/2700/20W/95/A90	Ø106x168x219mm±1mm	2700	1655	20W	83	90°
104611 Chase S35013/3000/20W/95/A90	Ø106x168x219mm±1mm	3000	1675	20W	84	90°
104612 Chase S35013/3500/20W/95/A90	Ø106x168x219mm±1mm	3500	1720	20W	86	90°
104613 Chase S35013/4000/20W/95/A90	Ø106x168x219mm±1mm	4000	1750	20W	88	90°
104614 Chase S35006/2700/27W/95/A15	Ø106x168x219mm±1mm	2700	2275	27W	85	15°
104615 Chase S35006/3000/27W/95/A15	Ø106x168x219mm±1mm	3000	2295	27W	85	15°
104616 Chase S35006/3500/27W/95/A15	Ø106x168x219mm±1mm	3500	2355	27W	88	15°
104617 Chase S35006/4000/27W/95/A15	Ø106x168x219mm±1mm	4000	2405	27W	90	15°
104618 Chase S35006/2700/27W/95/A30	Ø106x168x219mm±1mm	2700	2275	27W	85	30°
104619 Chase S35006/3000/27W/95/A30	Ø106x168x219mm±1mm	3000	2295	27W	85	30°
104620 Chase S35006/3500/27W/95/A30	Ø106x168x219mm±1mm	3500	2355	27W	88	30°
104621 Chase S35006/4000/27W/95/A30	Ø106x168x219mm±1mm	4000	2405	27W	90	30°
104622 Chase S35006/2700/27W/95/A45	Ø106x168x219mm±1mm	2700	2275	27W	85	45°
104623 Chase S35006/3000/27W/95/A45	Ø106x168x219mm±1mm	3000	2295	27W	85	45°
104624 Chase S35006/3500/27W/95/A45	Ø106x168x219mm±1mm	3500	2355	27W	88	45°
104625 Chase S35006/4000/27W/95/A45	Ø106x168x219mm±1mm	4000	2405	27W	90	45°
104626 Chase S35013/2700/27W/95/A90	Ø106x168x219mm±1mm	2700	2275	27W	85	90°
104627 Chase S35013/3000/27W/95/A90	Ø106x168x219mm±1mm	3000	2295	27W	85	90°
104628 Chase S35013/3500/27W/95/A90	Ø106x168x219mm±1mm	3500	2355	27W	88	90°
104629 Chase S35013/4000/27W/95/A90	Ø106x168x219mm±1mm	4000	2405	27W	90	90°

## SKU SPECIFICATIONS

Product Code	Dimensions (mm)	CCT (K)	Lumens (lm)	Power (W)	Eff. (lm/watt)	Lens Angle (°)
<b>CRI 95</b>						
104630 Chase S35006/2700/35W/95/A15	Ø106x168x219mm±1mm	2700	2805	35W	81	15°
104631 Chase S35006/3000/35W/95/A15	Ø106x168x219mm±1mm	3000	2830	35W	81	15°
104632 Chase S35006/3500/35W/95/A15	Ø106x168x219mm±1mm	3500	2910	35W	84	15°
104633 Chase S35006/4000/35W/95/A15	Ø106x168x219mm±1mm	4000	2965	35W	85	15°
104634 Chase S35006/2700/35W/95/A30	Ø106x168x219mm±1mm	2700	2805	35W	81	30°
104635 Chase S35006/3000/35W/95/A30	Ø106x168x219mm±1mm	3000	2830	35W	81	30°
104636 Chase S35006/3500/35W/95/A30	Ø106x168x219mm±1mm	3500	2910	35W	84	30°
104637 Chase S35006/4000/35W/95/A30	Ø106x168x219mm±1mm	4000	2965	35W	85	30°
104638 Chase S35006/2700/35W/95/A45	Ø106x168x219mm±1mm	2700	2805	35W	81	45°
104639 Chase S35006/3000/35W/95/A45	Ø106x168x219mm±1mm	3000	2830	35W	81	45°
104640 Chase S35006/3500/35W/95/A45	Ø106x168x219mm±1mm	3500	2910	35W	84	45°
104641 Chase S35006/4000/35W/95/A45	Ø106x168x219mm±1mm	4000	2965	35W	85	45°
104642 Chase S35013/2700/35W/95/A90	Ø106x168x219mm±1mm	2700	2805	35W	81	90°
104643 Chase S35013/3000/35W/95/A90	Ø106x168x219mm±1mm	3000	2830	35W	81	90°
104644 Chase S35013/3500/35W/95/A90	Ø106x168x219mm±1mm	3500	2910	35W	84	90°
104645 Chase S35013/4000/35W/95/A90	Ø106x168x219mm±1mm	4000	2965	35W	85	90°
104646 Chase S35006/2700/42W/95/A15	Ø106x168x219mm±1mm	2700	3190	42W	76	15°
104647 Chase S35006/3000/42W/95/A15	Ø106x168x219mm±1mm	3000	3220	42W	77	15°
104648 Chase S35006/3500/42W/95/A15	Ø106x168x219mm±1mm	3500	3310	42W	79	15°
104649 Chase S35006/4000/42W/95/A15	Ø106x168x219mm±1mm	4000	3375	42W	81	15°
104650 Chase S35006/2700/42W/95/A30	Ø106x168x219mm±1mm	2700	3190	42W	76	30°
104651 Chase S35006/3000/42W/95/A30	Ø106x168x219mm±1mm	3000	3220	42W	77	30°
104652 Chase S35006/3500/42W/95/A30	Ø106x168x219mm±1mm	3500	3310	42W	79	30°
104653 Chase S35006/4000/42W/95/A30	Ø106x168x219mm±1mm	4000	3375	42W	81	30°
104654 Chase S35006/2700/42W/95/A45	Ø106x168x219mm±1mm	2700	3190	42W	76	45°
104655 Chase S35006/3000/42W/95/A45	Ø106x168x219mm±1mm	3000	3220	42W	77	45°
104656 Chase S35006/3500/42W/95/A45	Ø106x168x219mm±1mm	3500	3310	42W	79	45°
104657 Chase S35006/4000/42W/95/A45	Ø106x168x219mm±1mm	4000	3375	42W	81	45°
104658 Chase S35013/2700/42W/95/A90	Ø106x168x219mm±1mm	2700	3190	42W	76	90°
104659 Chase S35013/3000/42W/95/A90	Ø106x168x219mm±1mm	3000	3220	42W	77	90°
104660 Chase S35013/3500/42W/95/A90	Ø106x168x219mm±1mm	3500	3310	42W	79	90°
104661 Chase S35013/4000/42W/95/A90	Ø106x168x219mm±1mm	4000	3375	42W	81	90°
<b>CRI 98</b>						
104315 Chase S35006/ART3000/27W/98/A15	Ø106x168x219mm±1mm	ART3000	1995	27W	74	15°
104316 Chase S35006/ART3000/27W/98/A30	Ø106x168x219mm±1mm	ART3000	1995	27W	74	30°
104317 Chase S35006/ART3000/27W/98/A45	Ø106x168x219mm±1mm	ART3000	1995	27W	74	45°
104318 Chase S35013/ART3000/27W/98/A90	Ø106x168x219mm±1mm	ART3000	1995	27W	74	90°
104665 Chase S35006/ART3000/27W/98/A60	Ø106x168x219mm±1mm	ART3000	1995	27W	74	60°
104319 Chase S35006/ART3000/35W/98/A15	Ø106x168x219mm±1mm	ART3000	2425	35W	70	15°
104320 Chase S35006/ART3000/35W/98/A30	Ø106x168x219mm±1mm	ART3000	2425	35W	70	30°
104321 Chase S35006/ART3000/35W/98/A45	Ø106x168x219mm±1mm	ART3000	2425	35W	70	45°
104322 Chase S35013/ART3000/35W/98/A90	Ø106x168x219mm±1mm	ART3000	2425	35W	70	90°
104666 Chase S35006/ART3000/35W/98/A60	Ø106x168x219mm±1mm	ART3000	2425	35W	70	60°
104323 Chase S35006/ART3000/42W/98/A15	Ø106x168x219mm±1mm	ART3000	2755	42W	66	15°
104324 Chase S35006/ART3000/42W/98/A30	Ø106x168x219mm±1mm	ART3000	2755	42W	66	30°
104325 Chase S35006/ART3000/42W/98/A45	Ø106x168x219mm±1mm	ART3000	2755	42W	66	45°
104326 Chase S35013/ART3000/42W/98/A90	Ø106x168x219mm±1mm	ART3000	2755	42W	66	90°
104667 Chase S35006/ART3000/42W/98/A60	Ø106x168x219mm±1mm	ART3000	2755	42W	66	60°

Technical specifications can be modified without prior notice. All information is property of Greentek Lighting.

The presentation picture is for information purposes only. Latest document update: April 16, 2018 1:36 PM. [www.greentek.eu](http://www.greentek.eu)