

Loki

TRACK SPOTLIGHT | TEC SERIES

Are you looking for a flexible and adjustable spotlight that emphasizes areas in your store or gallery? The Loki spotlight will answer your requirements through simple and efficient design that offers an adjustable light beam angle between 6° and 50° for directional and accent lighting, 350° horizontal rotation and 90° vertical tilt.

The Loki spotlight is made of aluminum and features innovative constructive solutions that lead to a compact size of 225mm to 265mm in length, and Ø 85mm.

It offers two modern color options to suit your location's needs:
RAL 9003 - signal white and RAL 9005 - jet black

Loki has several series, determined by various add-on and controls:

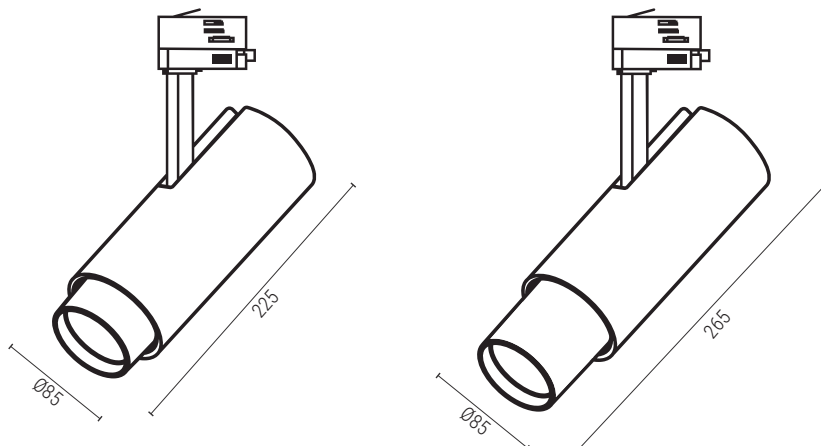
- **Loki TEC:** the standard for any project in the retail sector
- **Loki DALI:** with DALI controls for illumination adjustment

APPLICATION

Grocery & Supermarket | Retail | Art & Exhibition

FEATURES & BENEFITS

- CRI 80 as standard
- Color temperatures: 3000K and 4000K
- Long rated life: L90/B10@50.000h
- Luminaire efficiency: 51 lm/w @4000K
- Dimmable (for DALI Series)



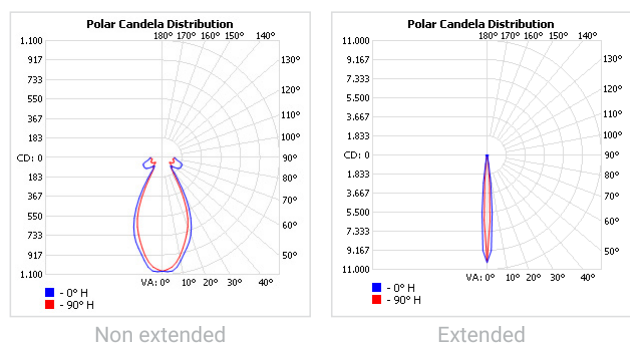
SPECIFICATIONS

Power consumption	11W, 15W, 21W
Dimensions	Ø85x225 - 265±1mm
Weight	1.4 Kg
Housing materials	Aluminium, Glass
IK code	IK02
THD (at 230V, 50Hz, Full load)	<8%
Protection class	Safety class 1
Operating temperature [°C]	-20°C ... +45°C / -4F ... +113F
Operating humidity [%]	10 ÷ 85
Power factor	≥0.95
AC Input [Vac]	220 - 240 VAC
Lens angle [°]	AVAR (6° to 50°)
Lifespan [h]	50,000
Housing color	○ RAL 9003 - signal white, ● RAL 9005 - jet black
Lumen maintenance	L90/B10@50.000h at 25°C
IP factor	IP20
Control optional	For more information please see LOKI DALI Series datasheet
Warranty [years]	5
Storage temperature range [°C]	-20°C ... +55°C / -4F ... +131F
Emergency option	-

Light application	Standard
CRI	CRI 80
CCT [K]	3000K/4000K
MacAdam	3

CRI - Color rendering, CCT - Color temperature, MacAdam - Color consistency

LIGHT DISTRIBUTION



RISK GROUP

RG1

The evaluation of photobiological safety is carried out according to the standard IEC 62471:2008 (“Photobiological safety of lamps and lamp systems”). Following the definition of the risk grouping system of the mentioned IEC standard, the LEDs mounted on this family fall into the class “Low Risk (RG1 – No photobiological hazard under normal behavioral limitations)”. Under real circumstances (regarding exposure time, pupils, observation distance), it is assumed that there is no endangerment to the eye from these devices. As a matter of principle, however, it should be mentioned that intense light sources have a high secondary exposure potential due to their blinding effect.

TOLERANCES

Luminous flux tolerances: -/+ 5%

Consumption tolerance: -/+ 5% for TEC | -/+ 10% for TEC & KIT EM | -/+ 10% for DALI | -/+ 15% for DALI & KIT EM

BATTERY WARRANTY

TEC EM & DALI EM: 12 months warranty

TEC & DALI: -

MAXIMUM NO. OF LUMINAIRES ON A CIRCUIT

Power	Driver type	Control type	Circuit Breaker Type						
			Amperage	B			C		
				20	16	10	20	16	10
< 50W		TEC		37	30	18	62	51	31
≥ 50W		TEC		37	30	18	62	51	31
< 80W		DALI		27	21	13	45	35	21

SKU SPECIFICATIONS

Product Code	Dimensions (mm)	CCT (K)	Lumens (lm)	Power (W)	Eff. (lm/watt)	Lens Angle (°)
CRI 80						
1A5011 Loki S34825/3000/11W/80/AVAR	Ø85x265±1mm	3000K	525	11W	48	AVAR
1A5013 Loki S34825/4000/11W/80/AVAR	Ø85x265±1mm	4000K	550	11W	50	AVAR
1A5015 Loki S34825/3000/15W/80/AVAR	Ø85x265±1mm	3000K	720	15W	48	AVAR
1A5017 Loki S34825/4000/15W/80/AVAR	Ø85x265±1mm	4000K	755	15W	51	AVAR
1A5019 Loki S34825/3000/21W/80/AVAR	Ø85x265±1mm	3000K	915	21W	44	AVAR
1A5021 Loki S34825/4000/21W/80/AVAR	Ø85x265±1mm	4000K	960	21W	46	AVAR