



Chase

TRACK SPOTLIGHTS | ECO-DALI DC-STRING

Track spotlight with modern design. Can be equipped with a wide range of special temperature colors. Die-cast aluminum housing. Particularly suitable for accent lighting in retail and commercial spaces with five optics variants.

Chase track spotlight comes in several series, with various add-on and controls:

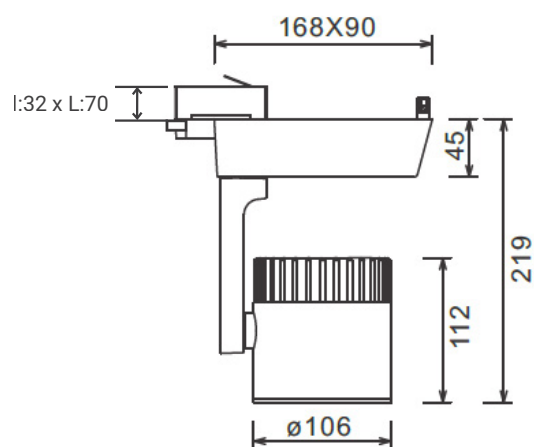
- Chase TEC – the standard for any project in the retail sectors
- Chase ECO-DALI DC-string – with DALI controls for dimming and DC power lines for individual luminaire control

FEATURES & BENEFITS

- Spotlight head rotates through 350°, pivots through 90°
- Long rated life – 50,000h at 90% luminous flux
- Luminaire efficiency: 117lm/W @4000K
- Intelligent control through DALI protocol
- CRI > 80 as standard, up to 98 for certain special color temperatures

APPLICATION

Supermarket | Fashion | Retail | Hospitality | Exhibition | Arhitectural



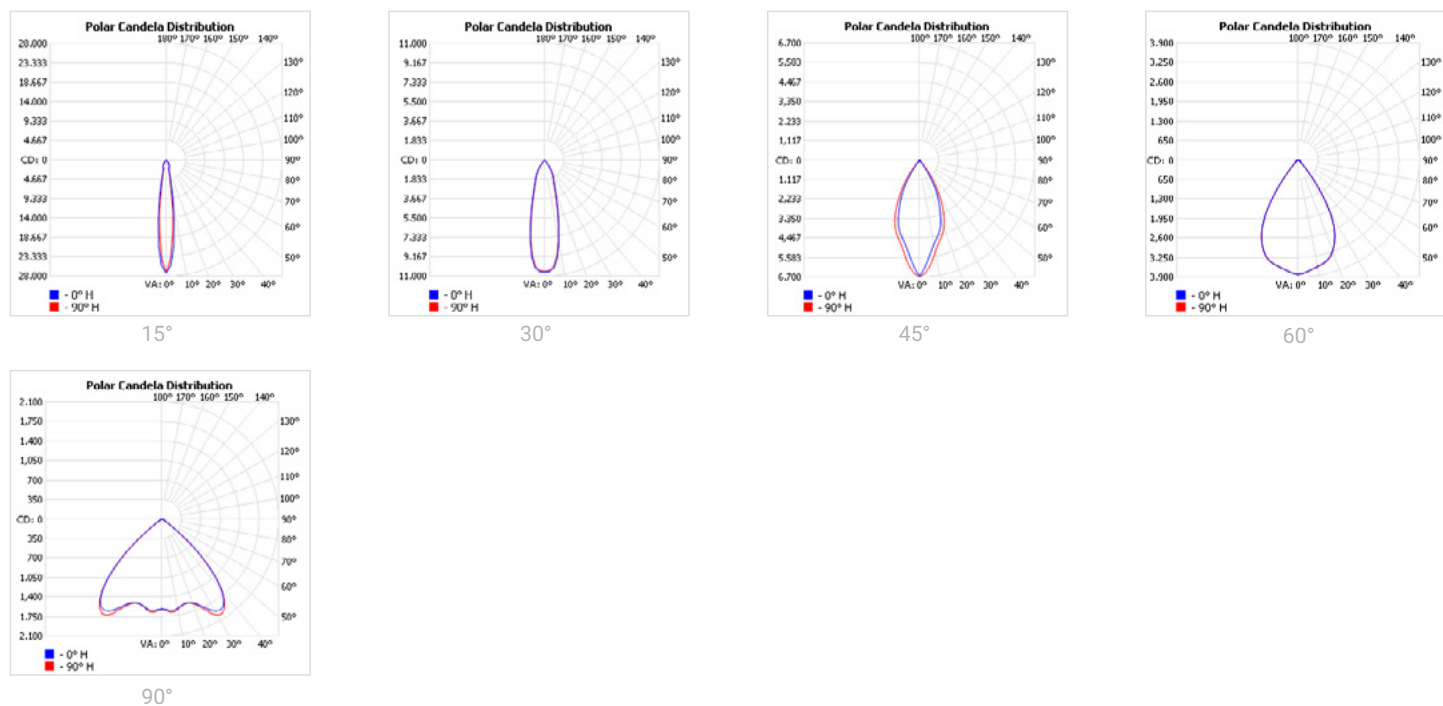
SPECIFICATIONS

Power consumption	14W, 27W
Dimensions	Ø106x168x219mm±1mm
Weight	1.6 Kg
Housing materials	Aluminium, Glass
IK code	IK02
THD (at 230V, 50Hz, Full load)	<5%
Protection class	Safety class 1
Operating temperature [°C]	-20 ... +45 °C / -4F ... +113F
Operating humidity [%]	10 ÷ 85
Power factor	≥0.95
AC Input [Vdc]	48 Vdc
Lens angle [°]	15°, 30°, 45°, 60°, 90°
Lifespan [h]	50,000
Housing color	○ RAL 9003 - Signal White, ● RAL 9005 - Jet Black, ● RAL 9006 - White Aluminium
Lumen maintenance	L90/B10@50,000h at 25°C
IP factor (general)	IP20
Control option	ECO-DALI DC-string
Warranty [years]	5
Storage temperature range [°C]	-20 ... +55 °C / -4F ... +131F
Emergency option	-

#	Standard	Food	Fashion	AGI	Enhanced	ART	AMB	SUNSET
CRI	CRI80	CRI80	CRI95	CRI93	CRI90 / CRI95	CRI98	CRI80	CRI90
CCT [K]	2700 / 3000 / 3500 / 4000	BVF / FBS / FZM / FSM / FSH	FAS	AGI 3000 / 3500 / 4000	2700 / 3000 / 3500 / 4000	3000	2200	1800...2700
MacAdam	3	3 / 4 / 4 / 3 / 3	3	3	2	2	3	3

CRI - Color rendering, CCT - Color temperature, MacAdam - Color consistency

LIGHT DISTRIBUTION



TOLERANCES

Luminous flux tolerances: -/+ 5%

Consumption tolerance: -/+ 5% for TEC | -/+ 10% for TEC & KIT EM | -/+ 10% for ECO-DALI | -/+ 15% for ECO-DALI & KIT EM

BATTERY WARRANTY

TEC EM & ECO EM: 12 months warranty

TEC & ECO: -

MAXIMUM NO. OF LUMINAIRES ON A CIRCUIT

Power	Driver type	Control type	Circuit Breaker Type						
			Amperage	B			C		
				20	16	10	20	16	10
12-14W	Built IN	TEC		62	50	31	104	85	52
17-20W	Built IN	TEC		62	50	31	104	85	52
23-27W	Built IN	TEC		24	20	10	47	40	20
29-35W	Built IN	TEC		24	20	10	47	40	20
42W	Built IN	TEC		20	16	8	38	32	16
12-14W	Built IN	ECO		62	50	31	104	85	52
23-27W	Built IN	ECO		25	21	13	50	42	26
34-42W	Built IN	ECO		17	14	9	34	28	18

RISK GROUP

Standard (CRI80) RG1

FOOD (BVF, FBS, FSM) RG1

FOOD <20W (FZM, FSH) RG2 (dthr=1.8m)

FOOD >20W (FZM, FSH) RG2 (dthr=2.2m)

FAS RG1

AMB2200 RG1

ART RG1

AGI RG1

CRI95 RG1

SUNSET RG1

RG1

The evaluation of photobiological safety is carried out according to the standard IEC 62471:2008 ("Photobiological safety of lamps and lamp systems"). Following the definition of the risk grouping system of the mentioned IEC standard, the LEDs mounted on this family fall into the class "Low Risk (RG1 – No photobiological hazard under normal behavioral limitations)". Under real circumstances (regarding exposure time, pupils, observation distance), it is assumed that there is no endangerment to the eye from these devices. As a matter of principle, however, it should be mentioned that intense light sources have a high secondary exposure potential due to their blinding effect.

RG2

The evaluation of photobiological safety is carried out according to the standard IEC 62471:2008 ("Photobiological safety of lamps and lamp systems"). Following the definition of the risk grouping system of the mentioned IEC standard, the LEDs mounted on this family fall into the class "Moderate Risk (RG2)". Under real circumstances (regarding exposure time, pupils, observation distance), it is assumed that there is no endangerment to the eye from these devices. As a matter of principle, however, it should be mentioned that intense light sources have a high secondary exposure potential due to their blinding effect.

SKU SPECIFICATIONS

Product Code	Dimensions (mm)	CCT (K)	Lumens (lm)	Power (W)	Eff. (lm/watt)	Lens Angle (°)
CRI 80						
304004 Chase S35006/2700/27W/80/A15	Ø106x168x219mm±1mm	2700	2945	27W	110	15°
304005 Chase S35006/3000/27W/80/A15	Ø106x168x219mm±1mm	3000	2970	27W	110	15°
304006 Chase S35006/3500/27W/80/A15	Ø106x168x219mm±1mm	3500	3055	27W	114	15°
304007 Chase S35006/4000/27W/80/A15	Ø106x168x219mm±1mm	4000	3135	27W	117	15°
304008 Chase S35006/2700/27W/80/A30	Ø106x168x219mm±1mm	2700	2945	27W	110	30°
304009 Chase S35006/3000/27W/80/A30	Ø106x168x219mm±1mm	3000	2970	27W	110	30°
304010 Chase S35006/3500/27W/80/A30	Ø106x168x219mm±1mm	3500	3055	27W	114	30°
304011 Chase S35006/4000/27W/80/A30	Ø106x168x219mm±1mm	4000	3135	27W	117	30°
304012 Chase S35006/2700/27W/80/A45	Ø106x168x219mm±1mm	2700	2945	27W	110	45°
304013 Chase S35006/3000/27W/80/A45	Ø106x168x219mm±1mm	3000	2970	27W	110	45°
304014 Chase S35006/3500/27W/80/A45	Ø106x168x219mm±1mm	3500	3055	27W	114	45°
304015 Chase S35006/4000/27W/80/A45	Ø106x168x219mm±1mm	4000	3135	27W	117	45°
304016 Chase S35013/2700/27W/80/A90	Ø106x168x219mm±1mm	2700	2945	27W	110	90°
304017 Chase S35013/3000/27W/80/A90	Ø106x168x219mm±1mm	3000	2970	27W	110	90°
304018 Chase S35013/3500/27W/80/A90	Ø106x168x219mm±1mm	3500	3055	27W	114	90°
304019 Chase S35013/4000/27W/80/A90	Ø106x168x219mm±1mm	4000	3135	27W	117	90°
304020 Chase S35006/2700/27W/80/A60	Ø106x168x219mm±1mm	2700	2945	27W	110	60°
304021 Chase S35006/3000/27W/80/A60	Ø106x168x219mm±1mm	3000	2970	27W	110	60°
304022 Chase S35006/3500/27W/80/A60	Ø106x168x219mm±1mm	3500	3055	27W	114	60°
304023 Chase S35006/4000/27W/80/A60	Ø106x168x219mm±1mm	4000	3135	27W	117	60°
304028 Chase S35006/2700/14W/80/A15	Ø106x168x219mm±1mm	2700	1485	14W	107	15°
304029 Chase S35006/3000/14W/80/A15	Ø106x168x219mm±1mm	3000	1500	14W	108	15°
304030 Chase S35006/3500/14W/80/A15	Ø106x168x219mm±1mm	3500	1540	14W	110	15°
304031 Chase S35006/4000/14W/80/A15	Ø106x168x219mm±1mm	4000	1570	14W	113	15°
304032 Chase S35006/2700/14W/80/A30	Ø106x168x219mm±1mm	2700	1485	14W	107	30°
304033 Chase S35006/3000/14W/80/A30	Ø106x168x219mm±1mm	3000	1500	14W	108	30°
304034 Chase S35006/3500/14W/80/A30	Ø106x168x219mm±1mm	3500	1540	14W	110	30°
304035 Chase S35006/4000/14W/80/A30	Ø106x168x219mm±1mm	4000	1570	14W	113	30°
304036 Chase S35006/2700/14W/80/A45	Ø106x168x219mm±1mm	2700	1485	14W	107	45°
304037 Chase S35006/3000/14W/80/A45	Ø106x168x219mm±1mm	3000	1500	14W	108	45°
304038 Chase S35006/3500/14W/80/A45	Ø106x168x219mm±1mm	3500	1540	14W	110	45°
304039 Chase S35006/4000/14W/80/A45	Ø106x168x219mm±1mm	4000	1570	14W	113	45°
304040 Chase S35013/2700/14W/80/A90	Ø106x168x219mm±1mm	2700	1485	14W	107	90°
304041 Chase S35013/3000/14W/80/A90	Ø106x168x219mm±1mm	3000	1500	14W	108	90°
304042 Chase S35013/3500/14W/80/A90	Ø106x168x219mm±1mm	3500	1540	14W	110	90°
304043 Chase S35013/4000/14W/80/A90	Ø106x168x219mm±1mm	4000	1570	14W	113	90°
304044 Chase S35006/2700/14W/80/A60	Ø106x168x219mm±1mm	2700	1485	14W	107	60°
304045 Chase S35006/3000/14W/80/A60	Ø106x168x219mm±1mm	3000	1500	14W	108	60°
304046 Chase S35006/3500/14W/80/A60	Ø106x168x219mm±1mm	3500	1540	14W	110	60°
304047 Chase S35006/4000/14W/80/A60	Ø106x168x219mm±1mm	4000	1570	14W	113	60°
304668 Chase S35006/AMB2200/14W/80/A15	Ø106x168x219mm±1mm	AMB2200	1020	14W	73	15°
304669 Chase S35006/AMB2200/14W/80/A30	Ø106x168x219mm±1mm	AMB2200	1020	14W	73	30°
304670 Chase S35006/AMB2200/14W/80/A45	Ø106x168x219mm±1mm	AMB2200	1020	14W	73	45°
304688 Chase S35006/AMB2200/14W/80/A60	Ø106x168x219mm±1mm	AMB2200	1020	14W	73	60°
304671 Chase S35013/AMB2200/14W/80/A90	Ø106x168x219mm±1mm	AMB2200	1020	14W	73	90°
304676 Chase S35006/AMB2200/27W/80/A15	Ø106x168x219mm±1mm	AMB2200	1870	27W	70	15°
304677 Chase S35006/AMB2200/27W/80/A30	Ø106x168x219mm±1mm	AMB2200	1870	27W	70	30°
304678 Chase S35006/AMB2200/27W/80/A45	Ø106x168x219mm±1mm	AMB2200	1870	27W	70	45°
304689 Chase S35006/AMB2200/27W/80/A60	Ø106x168x219mm±1mm	AMB2200	1870	27W	70	60°
304679 Chase S35013/AMB2200/27W/80/A90	Ø106x168x219mm±1mm	AMB2200	1870	27W	70	90°

Technical specifications can be modified without prior notice. All information is property of Greentek Lighting.
The presentation picture is for information purposes only. Latest document update: October 10, 2017 6:28 PM. www.greentek.eu