



Empire S

RECESSED DOWNLIGHTS & SPOTLIGHTS | EM SERIES

With an elegant square encasing, Empire S provides a beautiful accent lighting. Lens angles of 25, 45 or 50 degrees. It comes in three diameters, thus suitable to replace any type of conventional ceiling lamps. Can be equipped with a large range of special colors for food, fashion, art and AGI.

Empire S recessed luminaires come in several series, with various add-on and controls:

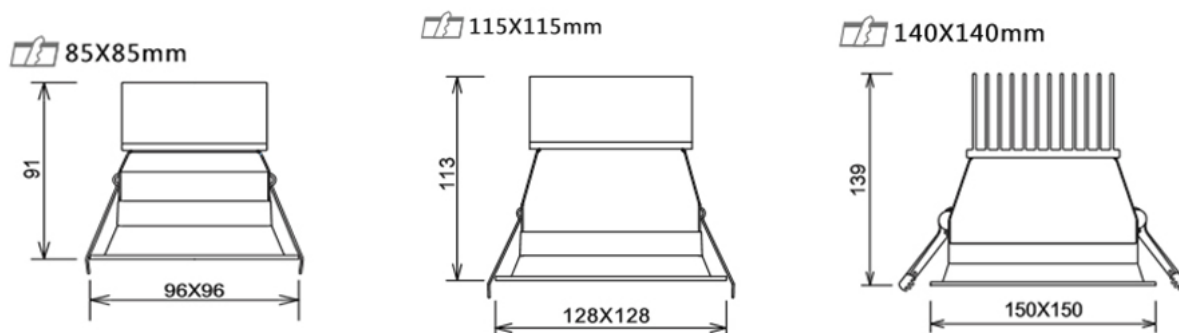
- Empire S TEC – the standard for any project in the retail and health sectors
- Empire S EM – with emergency lighting kit
- Empire S ECO – with DALI controls for dimming
- Empire S ECO-DALI EM - with both dimming and emergency kit

FEATURES & BENEFITS

- CRI ≥ 80 as standard, up to 98 for specific special color temperatures
- 15 color temperatures, specialized options included
- Luminaire efficiency: 117 lm/W @4000K
- Optics: 25°, 45°, 50°
- IP factor: IP20, IP40 for front face only
- With emergency kits of 1h and 3 h

APPLICATION

Grocery & Supermarkets | Retail | Offices | Hospitality | Art & Exhibitions



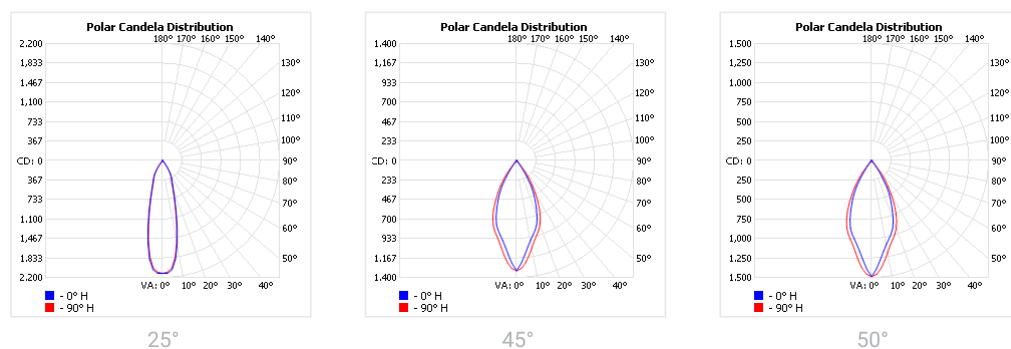
SPECIFICATIONS

Power consumption	12W, 14W, 17W, 20W	12W, 14W, 17W, 20W, 23W, 27W	12W, 14W, 17W, 20W, 23W, 27W
Dimensions	96x96xH91xC85mm±1mm	128x128xH113xC115mm±1mm	150x150xH139xC115mm±1mm
Weight	1.4 kg	1.7 kg	2.0 kg
Housing materials	Aluminium, Glass		
IK code	IK02		
THD (at 230V, 50Hz, Full load)	<20%		
Protection class	Safety class 1		
Operating temperature [°C]	-20°C...+45°C / -4°F...+113°F		
Operating humidity [%]	10 ÷ 85		
Power factor	≥0.95		
AC Input [Vac]	220 - 240		
Lens angle [°]	25°, 45°, 50°		
Lifespan [h]	50,000		
Housing color	○ RAL 9003 - Signal white, ● RAL 9005 - Jet Black, ● RAL 9006 - White Aluminium		
Lumen maintenance	L90/B10@50,000h at 25°C		
IP factor	IP20		
Control optional	For product information please see Empire S ECO-DALI EM datasheet		
Warranty [years]	5		
Storage temperature range [°C]	-20°C... +55°C / -4°F ... +131°F		
Emergency option	EM1H, EM3H		

Light application	Standard	Food		Fashion	AGI	Art
CRI	CRI 80	CRI 80		CRI 95	CRI 93	CRI 98
CCT [K]	2700K/3000K/3500K/4000K	BVF/FSM/FSH	FBS/FZM	FAS	AGI 3000/3500/4000	ART 2700/3000
MacAdam	3	3	4	3	3	2

CRI - Color rendering, CCT - Color temperature, MacAdam - Color consistency

LIGHT DISTRIBUTION



SKU SPECIFICATIONS

Product Code	Dimensions (mm)	CCT (K)	Lumens (lm)	Power (W)	Eff. (lm/watt)	Lens Angle (°)
CRI 80						
106128 EmpireS D35000/2700/14W/80/A25/EM1H	96x96xH91±1mm	2700	1485	14W	107	25°
106129 EmpireS D35000/3000/14W/80/A25/EM1H	96x96xH91±1mm	3000	1500	14W	108	25°
106130 EmpireS D35000/3500/14W/80/A25/EM1H	96x96xH91±1mm	3500	1540	14W	110	25°
106131 EmpireS D35000/4000/14W/80/A25/EM1H	96x96xH91±1mm	4000	1570	14W	113	25°
106133 EmpireS D35000/2700/14W/80/A45/EM1H	96x96xH91±1mm	2700	1485	14W	107	45°
106134 EmpireS D35000/3000/14W/80/A45/EM1H	96x96xH91±1mm	3000	1500	14W	108	45°
106135 EmpireS D35000/3500/14W/80/A45/EM1H	96x96xH91±1mm	3500	1540	14W	110	45°
106136 EmpireS D35000/4000/14W/80/A45/EM1H	96x96xH91±1mm	4000	1570	14W	113	45°
106138 EmpireS D35000/2700/20W/80/A25/EM1H	96x96xH91±1mm	2700	2080	20W	104	25°
106139 EmpireS D35000/3000/20W/80/A25/EM1H	96x96xH91±1mm	3000	2100	20W	105	25°
106140 EmpireS D35000/3500/20W/80/A25/EM1H	96x96xH91±1mm	3500	2160	20W	108	25°
106141 EmpireS D35000/4000/20W/80/A25/EM1H	96x96xH91±1mm	4000	2200	20W	110	25°
106143 EmpireS D35000/2700/20W/80/A45/EM1H	96x96xH91±1mm	2700	2080	20W	104	45°
106144 EmpireS D35000/3000/20W/80/A45/EM1H	96x96xH91±1mm	3000	2100	20W	105	45°
106145 EmpireS D35000/3500/20W/80/A45/EM1H	96x96xH91±1mm	3500	2160	20W	108	45°
106146 EmpireS D35000/4000/20W/80/A45/EM1H	96x96xH91±1mm	4000	2200	20W	110	45°
106148 EmpireS D35001/2700/14W/80/A45/EM1H	128x128xH113x±1mm	2700	1485	14W	107	45°
106149 EmpireS D35001/3000/14W/80/A45/EM1H	128x128xH113x±1mm	3000	1500	14W	108	45°
106150 EmpireS D35001/3500/14W/80/A45/EM1H	128x128xH113x±1mm	3500	1540	14W	110	45°
106151 EmpireS D35001/4000/14W/80/A45/EM1H	128x128xH113x±1mm	4000	1570	14W	113	45°
106153 EmpireS D35001/2700/20W/80/A45/EM1H	128x128xH113x±1mm	2700	2080	20W	104	45°
106154 EmpireS D35001/3000/20W/80/A45/EM1H	128x128xH113x±1mm	3000	2100	20W	105	45°
106155 EmpireS D35001/3500/20W/80/A45/EM1H	128x128xH113x±1mm	3500	2160	20W	108	45°
106156 EmpireS D35001/4000/20W/80/A45/EM1H	128x128xH113x±1mm	4000	2200	20W	110	45°
106158 EmpireS D35001/2700/27W/80/A45/EM1H	128x128xH113x±1mm	2700	2945	27W	110	45°
106159 EmpireS D35001/3000/27W/80/A45/EM1H	128x128xH113x±1mm	3000	2970	27W	110	45°
106160 EmpireS D35001/3500/27W/80/A45/EM1H	128x128xH113x±1mm	3500	3055	27W	114	45°
106161 EmpireS D35001/4000/27W/80/A45/EM1H	128x128xH113x±1mm	4000	3135	27W	117	45°
106163 EmpireS D35002/2700/14W/80/A50/EM1H	150x150xH139±1mm	2700	1485	14W	107	50°
106164 EmpireS D35002/3000/14W/80/A50/EM1H	150x150xH139±1mm	3000	1500	14W	108	50°
106165 EmpireS D35002/3500/14W/80/A50/EM1H	150x150xH139±1mm	3500	1540	14W	110	50°
106166 EmpireS D35002/4000/14W/80/A50/EM1H	150x150xH139±1mm	4000	1570	14W	113	50°
106168 EmpireS D35002/2700/20W/80/A50/EM1H	150x150xH139±1mm	2700	2080	20W	104	50°
106169 EmpireS D35002/3000/20W/80/A50/EM1H	150x150xH139±1mm	3000	2100	20W	105	50°
106170 EmpireS D35002/3500/20W/80/A50/EM1H	150x150xH139±1mm	3500	2160	20W	108	50°
106171 EmpireS D35002/4000/20W/80/A50/EM1H	150x150xH139±1mm	4000	2200	20W	110	50°
106173 EmpireS D35002/2700/27W/80/A50/EM1H	150x150xH139±1mm	2700	2945	27W	110	50°
106174 EmpireS D35002/3000/27W/80/A50/EM1H	150x150xH139±1mm	3000	2970	27W	110	50°
106175 EmpireS D35002/3500/27W/80/A50/EM1H	150x150xH139±1mm	3500	3055	27W	114	50°
106176 EmpireS D35002/4000/27W/80/A50/EM1H	150x150xH139±1mm	4000	3135	27W	117	50°
106178 EmpireS D35000/2700/14W/80/A25/EM3H	96x96xH91±1mm	2700	1485	14W	107	25°
106179 EmpireS D35000/3000/14W/80/A25/EM3H	96x96xH91±1mm	3000	1500	14W	108	25°
106180 EmpireS D35000/3500/14W/80/A25/EM3H	96x96xH91±1mm	3500	1540	14W	110	25°
106181 EmpireS D35000/4000/14W/80/A25/EM3H	96x96xH91±1mm	4000	1570	14W	113	25°
106183 EmpireS D35000/2700/14W/80/A45/EM3H	96x96xH91±1mm	2700	1485	14W	107	45°
106184 EmpireS D35000/3000/14W/80/A45/EM3H	96x96xH91±1mm	3000	1500	14W	108	45°
106185 EmpireS D35000/3500/14W/80/A45/EM3H	96x96xH91±1mm	3500	1540	14W	110	45°
106186 EmpireS D35000/4000/14W/80/A45/EM3H	96x96xH91±1mm	4000	1570	14W	113	45°
106188 EmpireS D35000/2700/20W/80/A25/EM3H	96x96xH91±1mm	2700	2080	20W	104	25°
106189 EmpireS D35000/3000/20W/80/A25/EM3H	96x96xH91±1mm	3000	2100	20W	105	25°

SKU SPECIFICATIONS

Product Code	Dimensions (mm)	CCT (K)	Lumens (lm)	Power (W)	Eff. (lm/watt)	Lens Angle (°)
CRI 80						
106190 EmpireS D35000/3500/20W/80/A25/EM3H	96x96xH91±1mm	3500	2160	20W	108	25°
106191 EmpireS D35000/4000/20W/80/A25/EM3H	96x96xH91±1mm	4000	2200	20W	110	25°
106193 EmpireS D35000/2700/20W/80/A45/EM3H	96x96xH91±1mm	2700	2080	20W	104	45°
106194 EmpireS D35000/3000/20W/80/A45/EM3H	96x96xH91±1mm	3000	2100	20W	105	45°
106195 EmpireS D35000/3500/20W/80/A45/EM3H	96x96xH91±1mm	3500	2160	20W	108	45°
106196 EmpireS D35000/4000/20W/80/A45/EM3H	96x96xH91±1mm	4000	2200	20W	110	45°
106198 EmpireS D35001/2700/14W/80/A45/EM3H	128x128xH113x±1mm	2700	1485	14W	107	45°
106199 EmpireS D35001/3000/14W/80/A45/EM3H	128x128xH113x±1mm	3000	1500	14W	108	45°
106200 EmpireS D35001/3500/14W/80/A45/EM3H	128x128xH113x±1mm	3500	1540	14W	110	45°
106201 EmpireS D35001/4000/14W/80/A45/EM3H	128x128xH113x±1mm	4000	1570	14W	113	45°
106203 EmpireS D35001/2700/20W/80/A45/EM3H	128x128xH113x±1mm	2700	2080	20W	104	45°
106204 EmpireS D35001/3000/20W/80/A45/EM3H	128x128xH113x±1mm	3000	2100	20W	105	45°
106205 EmpireS D35001/3500/20W/80/A45/EM3H	128x128xH113x±1mm	3500	2160	20W	108	45°
106206 EmpireS D35001/4000/20W/80/A45/EM3H	128x128xH113x±1mm	4000	2200	20W	110	45°
106208 EmpireS D35001/2700/27W/80/A45/EM3H	128x128xH113x±1mm	2700	2945	27W	110	45°
106209 EmpireS D35001/3000/27W/80/A45/EM3H	128x128xH113x±1mm	3000	2970	27W	110	45°
106210 EmpireS D35001/3500/27W/80/A45/EM3H	128x128xH113x±1mm	3500	3055	27W	114	45°
106211 EmpireS D35001/4000/27W/80/A45/EM3H	128x128xH113x±1mm	4000	3135	27W	117	45°
106213 EmpireS D35002/2700/14W/80/A50/EM3H	150x150xH139±1mm	2700	1485	14W	107	50°
106214 EmpireS D35002/3000/14W/80/A50/EM3H	150x150xH139±1mm	3000	1500	14W	108	50°
106215 EmpireS D35002/3500/14W/80/A50/EM3H	150x150xH139±1mm	3500	1540	14W	110	50°
106216 EmpireS D35002/4000/14W/80/A50/EM3H	150x150xH139±1mm	4000	1570	14W	113	50°
106218 EmpireS D35002/2700/20W/80/A50/EM3H	150x150xH139±1mm	2700	2080	20W	104	50°
106219 EmpireS D35002/3000/20W/80/A50/EM3H	150x150xH139±1mm	3000	2100	20W	105	50°
106220 EmpireS D35002/3500/20W/80/A50/EM3H	150x150xH139±1mm	3500	2160	20W	108	50°
106221 EmpireS D35002/4000/20W/80/A50/EM3H	150x150xH139±1mm	4000	2200	20W	110	50°
106223 EmpireS D35002/2700/27W/80/A50/EM3H	150x150xH139±1mm	2700	2945	27W	110	50°
106224 EmpireS D35002/3000/27W/80/A50/EM3H	150x150xH139±1mm	3000	2970	27W	110	50°
106225 EmpireS D35002/3500/27W/80/A50/EM3H	150x150xH139±1mm	3500	3055	27W	114	50°
106226 EmpireS D35002/4000/27W/80/A50/EM3H	150x150xH139±1mm	4000	3135	27W	117	50°
CRI 93						
106430 EmpireS D35000/AGI3000/12W/93/A25/EM1H	96x96xH91±1mm	AGI3500	735	12W	62	25°
106431 EmpireS D35000/AGI3500/12W/93/A25/EM1H	96x96xH91±1mm	AGI3500	780	12W	65	25°
106432 EmpireS D35000/AGI4000/12W/93/A25/EM1H	96x96xH91±1mm	AGI4000	830	12W	70	25°
106433 EmpireS D35000/AGI3000/12W/93/A45/EM1H	96x96xH91±1mm	AGI3000	735	12W	62	45°
106434 EmpireS D35000/AGI3500/12W/93/A45/EM1H	96x96xH91±1mm	AGI3500	780	12W	65	45°
106435 EmpireS D35000/AGI4000/12W/93/A45/EM1H	96x96xH91±1mm	AGI4000	830	12W	70	45°
106436 EmpireS D35000/AGI3000/17W/93/A25/EM1H	96x96xH91±1mm	AGI3000	985	17W	58	25°
106437 EmpireS D35000/AGI3500/17W/93/A25/EM1H	96x96xH91±1mm	AGI3500	1050	17W	62	25°
106438 EmpireS D35000/AGI4000/17W/93/A25/EM1H	96x96xH91±1mm	AGI4000	1115	17W	66	25°
106439 EmpireS D35000/AGI3000/17W/93/A45/EM1H	96x96xH91±1mm	AGI3000	985	17W	58	45°
106440 EmpireS D35000/AGI3500/17W/93/A45/EM1H	96x96xH91±1mm	AGI3500	1050	17W	62	45°
106441 EmpireS D35000/AGI4000/17W/93/A45/EM1H	96x96xH91±1mm	AGI4000	1115	17W	66	45°
106442 EmpireS D35001/AGI3000/12W/93/A45/EM1H	128x128xH113x±1mm	AGI3000	735	12W	62	45°
106443 EmpireS D35001/AGI3500/12W/93/A45/EM1H	128x128xH113x±1mm	AGI3500	780	12W	65	45°
106444 EmpireS D35001/AGI4000/12W/93/A45/EM1H	128x128xH113x±1mm	AGI4000	830	12W	70	45°
106445 EmpireS D35001/AGI3000/17W/93/A45/EM1H	128x128xH113x±1mm	AGI3000	985	17W	58	45°
106446 EmpireS D35001/AGI3500/17W/93/A45/EM1H	128x128xH113x±1mm	AGI3500	1050	17W	62	45°
106447 EmpireS D35001/AGI4000/17W/93/A45/EM1H	128x128xH113x±1mm	AGI4000	1115	17W	66	45°

SKU SPECIFICATIONS

Product Code	Dimensions (mm)	CCT (K)	Lumens (lm)	Power (W)	Eff. (lm/watt)	Lens Angle (°)
CRI 93						
106448 EmpireS D35001/AGI3000/23W/93/A45/EM1H	128x128xH113x±1mm	AGI3000	1330	23W	58	45°
106449 EmpireS D35001/AGI3500/23W/93/A45/EM1H	128x128xH113x±1mm	AGI3500	1440	23W	63	45°
106450 EmpireS D35001/AGI4000/23W/93/A45/EM1H	128x128xH113x±1mm	AGI4000	1550	23W	68	45°
106451 EmpireS D35002/AGI3000/12W/93/A50/EM1H	150x150xH139±1mm	AGI3000	735	12W	62	50°
106452 EmpireS D35002/AGI3500/12W/93/A50/EM1H	150x150xH139±1mm	AGI3500	780	12W	65	50°
106453 EmpireS D35002/AGI4000/12W/93/A50/EM1H	150x150xH139±1mm	AGI4000	830	12W	70	50°
106454 EmpireS D35002/AGI3000/17W/93/A50/EM1H	150x150xH139±1mm	AGI3000	985	17W	58	50°
106455 EmpireS D35002/AGI3500/17W/93/A50/EM1H	150x150xH139±1mm	AGI3500	1050	17W	62	50°
106456 EmpireS D35002/AGI4000/17W/93/A50/EM1H	150x150xH139±1mm	AGI4000	1115	17W	66	50°
106457 EmpireS D35002/AGI3000/23W/93/A50/EM1H	150x150xH139±1mm	AGI3000	1330	23W	58	50°
106458 EmpireS D35002/AGI3500/23W/93/A50/EM1H	150x150xH139±1mm	AGI3500	1440	23W	63	50°
106459 EmpireS D35002/AGI4000/23W/93/A50/EM1H	150x150xH139±1mm	AGI4000	1550	23W	68	50°
106460 EmpireS D35000/AGI3000/12W/93/A25/EM3H	96x96xH91±1mm	AGI3500	735	12W	62	25°
106461 EmpireS D35000/AGI3500/12W/93/A25/EM3H	96x96xH91±1mm	AGI3500	780	12W	65	25°
106462 EmpireS D35000/AGI4000/12W/93/A25/EM3H	96x96xH91±1mm	AGI4000	830	12W	70	25°
106463 EmpireS D35000/AGI3000/12W/93/A45/EM3H	96x96xH91±1mm	AGI3000	735	12W	62	45°
106464 EmpireS D35000/AGI3500/12W/93/A45/EM3H	96x96xH91±1mm	AGI3500	780	12W	65	45°
106465 EmpireS D35000/AGI4000/12W/93/A45/EM3H	96x96xH91±1mm	AGI4000	830	12W	70	45°
106466 EmpireS D35000/AGI3000/17W/93/A25/EM3H	96x96xH91±1mm	AGI3000	985	17W	58	25°
106467 EmpireS D35000/AGI3500/17W/93/A25/EM3H	96x96xH91±1mm	AGI3500	1050	17W	62	25°
106468 EmpireS D35000/AGI4000/17W/93/A25/EM3H	96x96xH91±1mm	AGI4000	1115	17W	66	25°
106469 EmpireS D35000/AGI3000/17W/93/A45/EM3H	96x96xH91±1mm	AGI3000	985	17W	58	45°
106470 EmpireS D35000/AGI3500/17W/93/A45/EM3H	96x96xH91±1mm	AGI3500	1050	17W	62	45°
106471 EmpireS D35000/AGI4000/17W/93/A45/EM3H	96x96xH91±1mm	AGI4000	1115	17W	66	45°
106472 EmpireS D35001/AGI3000/12W/93/A45/EM3H	128x128xH113x±1mm	AGI3000	735	12W	62	45°
106473 EmpireS D35001/AGI3500/12W/93/A45/EM3H	128x128xH113x±1mm	AGI3500	780	12W	65	45°
106474 EmpireS D35001/AGI4000/12W/93/A45/EM3H	128x128xH113x±1mm	AGI4000	830	12W	70	45°
106475 EmpireS D35001/AGI3000/17W/93/A45/EM3H	128x128xH113x±1mm	AGI3000	985	17W	58	45°
106476 EmpireS D35001/AGI3500/17W/93/A45/EM3H	128x128xH113x±1mm	AGI3500	1050	17W	62	45°
106477 EmpireS D35001/AGI4000/17W/93/A45/EM3H	128x128xH113x±1mm	AGI4000	1115	17W	66	45°
106478 EmpireS D35001/AGI3000/23W/93/A45/EM3H	128x128xH113x±1mm	AGI3000	1330	23W	58	45°
106479 EmpireS D35001/AGI3500/23W/93/A45/EM3H	128x128xH113x±1mm	AGI3500	1440	23W	63	45°
106480 EmpireS D35001/AGI4000/23W/93/A45/EM3H	128x128xH113x±1mm	AGI4000	1550	23W	68	45°
106481 EmpireS D35002/AGI3000/12W/93/A50/EM3H	150x150xH139±1mm	AGI3000	735	12W	62	50°
106482 EmpireS D35002/AGI3500/12W/93/A50/EM3H	150x150xH139±1mm	AGI3500	780	12W	65	50°
106483 EmpireS D35002/AGI4000/12W/93/A50/EM3H	150x150xH139±1mm	AGI4000	830	12W	70	50°
106484 EmpireS D35002/AGI3000/17W/93/A50/EM3H	150x150xH139±1mm	AGI3000	985	17W	58	50°
106485 EmpireS D35002/AGI3500/17W/93/A50/EM3H	150x150xH139±1mm	AGI3500	1050	17W	62	50°
106486 EmpireS D35002/AGI4000/17W/93/A50/EM3H	150x150xH139±1mm	AGI4000	1115	17W	66	50°
106487 EmpireS D35002/AGI3000/23W/93/A50/EM3H	150x150xH139±1mm	AGI3000	1330	23W	58	50°
106488 EmpireS D35002/AGI3500/23W/93/A50/EM3H	150x150xH139±1mm	AGI3500	1440	23W	63	50°
106489 EmpireS D35002/AGI4000/23W/93/A50/EM3H	150x150xH139±1mm	AGI4000	1550	23W	68	50°

Technical specifications can be modified without prior notice. All information is property of Greentek Lighting.
 The presentation picture is for information purposes only. Latest document update: May 15, 2017 12:39 PM. www.greentek.eu