



Tulip L

TRACK SPOTLIGHTS | NON-DALI SERIES

A highly elegant, compact track spotlight. The radiator is encased in the aluminum housing, allowing for a smooth design. As all our track lights, the Tulip L range includes several special color temperatures for food, art and fashion. Especially suitable for commercial spaces and showrooms that require a sleek, minimalistic luminaire.

PI-LED - Combines variable white light and light of the RGB color system in one single light source. It can vary the color temperature between 2700K - 6500K along Planckian curve in the course of a day

The modern touch is given by the aluminum housing and three color options: signal white, jet black and white aluminum.

Available in two series, with different add-ons and controls:

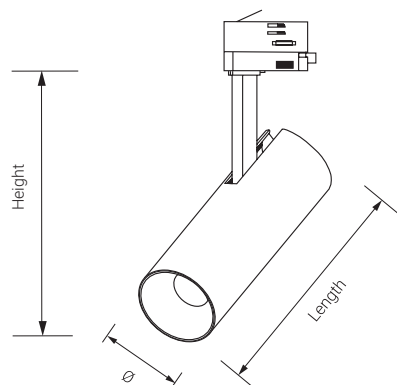
- Tulip L Non-DALI – the standard for any project in the retail sector
- Tulip L DALI – with DALI controls for illumination adjustments
- Tulip L PI-LED – simulates the spectral quality of natural daylight over the entire day.

APPLICATION

High End Grocery & Supermarkets | Fashion Retailers | Hospitality | Art & Exhibitions

FEATURES & BENEFITS

- CRI > 80 as standard, up to 98 for certain special colors
- 16 color temperatures, including special color temperatures for different applications such as food, art, AGI light, hospitality light (AMB2200) and entertainment (ENT5600)
- Great variety of optics – 4 angles, from narrow beams to flood beams, for each housing size
- Efficiency: 109lm/W @4000K
- Very long service life: 50,000 h at 90% luminous flux
- Dimmable (only for DALI Series and PI-LED Series)



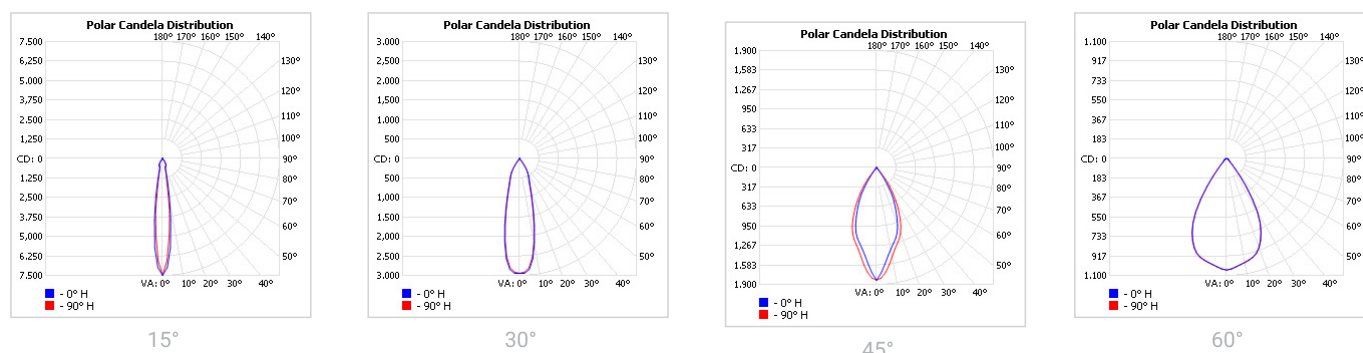
SPECIFICATIONS

Power consumption	14W, 16W, 21W, 20W, 27W, 32W, 35W
Dimensions	Ø110x240x279mm±1mm
Weight	1.6 kg
Housing materials	Aluminium, glass
IK code	IK02
THD (at 230V, 50Hz, Full load)	<8%
Protection class	Safety class 1
Operating temperature [°C]	-20°C ... +45°C / -4F ... +113F
Operating humidity [%]	10 ÷ 85
Power factor	≥0.95
AC Input [Vac]	220 - 240
Lens angle [°]	15°, 30°, 45°, 60°
Lifespan [h]	50,000
Housing color	○ RAL 9003 - Signal white, ● RAL 9005 - Jet Black, ● RAL 9006 - White Aluminium
Lumen maintenance	L90/B10@50,000h at 25°C
IP factor	IP20
Control optional	-
Warranty [years]	5
Storage temperature range [°C]	-20°C ... +55°C / -4F ... +131F
Emergency option	-

#	Standard	Food	Fashion	ENT / AGI	Enhanced	ART	AMB
CRI	CRI80	CRI80	CRI95	CRI90 & CRI97 / CRI93	CRI90 / CRI95	CRI98	CRI80
CCT [K]	2700 / 3000 / 3500 / 4000	BVF / FBS / FZM / FSM / FSH	FAS	5600 / AGI 3000 / 3500 / 4000	2700 / 3000 / 3500 / 4000	3000	2200
MacAdam	3	3 / 4 / 4 / 3 / 3	3	3	2	2	3

CRI - Color rendering, CCT - Color temperature, MacAdam - Color consistency

LIGHT DISTRIBUTION



TOLERANCES

Luminous flux tolerances: -/+ 5%

Consumption tolerance: -/+ 5% for Non-DALI | -/+ 10% for Non-DALI & KIT EM | -/+ 10% for DALI | -/+ 15% for DALI & KIT EM

BATTERY WARRANTY

Non-DALI EM & DALI EM: 12 months warranty

Non-DALI & DALI: -

MAXIMUM NO. OF LUMINAIRES ON A CIRCUIT

Luminaire Power(W)	Control type	Circuit Breaker Type					
		B			C		
		20	16	10	20	16	10
8-20W	Non-DALI	62	50	31	104	85	52
23-35W	Non-DALI	24	20	10	47	40	20
42W	Non-DALI	20	16	8	38	32	16
8-20W	DALI	62	50	31	104	85	52
23-27W	DALI	18	15	9	31	50	15
34-42W	DALI	17	14	9	34	28	18

RISK GROUP

Standard (CRI80)	RG1
FOOD (BVF, FBS, FSM)	RG1
FOOD ≤35W (FZM, FSH)	RG1
FOOD >35W (FZM, FSH)	RG2
FAS	RG1
AMB2200	RG1
ART	RG1
AGI	RG1
CRI90	RG1
CRI95	RG1
ENT	RG1

RG1

The evaluation of photobiological safety is carried out according to the standard IEC 62471:2008 ("Photobiological safety of lamps and lamp systems"). Following the definition of the risk grouping system of the mentioned IEC standard, the LEDs mounted on this family fall into the class "Low Risk (RG1 – No photobiological hazard under normal behavioral limitations)". Under real circumstances (regarding exposure time, pupils, observation distance), it is assumed that there is no endangerment to the eye from these devices. As a matter of principle, however, it should be mentioned that intense light sources have a high secondary exposure potential due to their blinding effect.

RG2

The evaluation of photobiological safety is carried out according to the standard IEC 62471:2008 ("Photobiological safety of lamps and lamp systems"). Following the definition of the risk grouping system of the mentioned IEC standard, the LEDs mounted on this family fall into the class "Moderate Risk (RG2)". Under real circumstances (regarding exposure time, pupils, observation distance), it is assumed that there is no endangerment to the eye from these devices. As a matter of principle, however, it should be mentioned that intense light sources have a high secondary exposure potential due to their blinding effect.

SKU SPECIFICATIONS

Product Code	Dimensions (mm)	CCT (K)	Lumens (lm)	Power (W)	Eff. (lm/watt)	Lens Angle (°)
CRI 80						
164468 TulipL S34017R/2700/14W/80/A15	Ø110x240x279mm±1mm	2700	1440	14W	103	15°
164469 TulipL S34017R/3000/14W/80/A15	Ø110x240x279mm±1mm	3000	1455	14W	104	15°
164470 TulipL S34017R/3500/14W/80/A15	Ø110x240x279mm±1mm	3500	1495	14W	107	15°
164471 TulipL S34017R/4000/14W/80/A15	Ø110x240x279mm±1mm	4000	1525	14W	109	15°
164472 TulipL S34017R/2700/14W/80/A30	Ø110x240x279mm±1mm	2700	1440	14W	103	30°
164473 TulipL S34017R/3000/14W/80/A30	Ø110x240x279mm±1mm	3000	1455	14W	104	30°
164474 TulipL S34017R/3500/14W/80/A30	Ø110x240x279mm±1mm	3500	1495	14W	107	30°
164475 TulipL S34017R/4000/14W/80/A30	Ø110x240x279mm±1mm	4000	1525	14W	109	30°
164476 TulipL S34017R/2700/14W/80/A45	Ø110x240x279mm±1mm	2700	1440	14W	103	45°
164477 TulipL S34017R/3000/14W/80/A45	Ø110x240x279mm±1mm	3000	1455	14W	104	45°
164478 TulipL S34017R/3500/14W/80/A45	Ø110x240x279mm±1mm	3500	1495	14W	107	45°
164479 TulipL S34017R/4000/14W/80/A45	Ø110x240x279mm±1mm	4000	1525	14W	109	45°
164480 TulipL S34017R/2700/14W/80/A60	Ø110x240x279mm±1mm	2700	1440	14W	103	60°
164481 TulipL S34017R/3000/14W/80/A60	Ø110x240x279mm±1mm	3000	1455	14W	104	60°
164482 TulipL S34017R/3500/14W/80/A60	Ø110x240x279mm±1mm	3500	1495	14W	107	60°
164483 TulipL S34017R/4000/14W/80/A60	Ø110x240x279mm±1mm	4000	1525	14W	109	60°
164484 TulipL S34017R/2700/20W/80/A15	Ø110x240x279mm±1mm	2700	2010	20W	101	15°
164485 TulipL S34017R/3000/20W/80/A15	Ø110x240x279mm±1mm	3000	2025	20W	102	15°
164486 TulipL S34017R/3500/20W/80/A15	Ø110x240x279mm±1mm	3500	2080	20W	104	15°
164487 TulipL S34017R/4000/20W/80/A15	Ø110x240x279mm±1mm	4000	2120	20W	106	15°
164488 TulipL S34017R/2700/20W/80/A30	Ø110x240x279mm±1mm	2700	2010	20W	101	30°
164489 TulipL S34017R/3000/20W/80/A30	Ø110x240x279mm±1mm	3000	2025	20W	102	30°
164490 TulipL S34017R/3500/20W/80/A30	Ø110x240x279mm±1mm	3500	2080	20W	104	30°
164491 TulipL S34017R/4000/20W/80/A30	Ø110x240x279mm±1mm	4000	2120	20W	106	30°
164492 TulipL S34017R/2700/20W/80/A45	Ø110x240x279mm±1mm	2700	2010	20W	101	45°
164493 TulipL S34017R/3000/20W/80/A45	Ø110x240x279mm±1mm	3000	2025	20W	102	45°
164494 TulipL S34017R/3500/20W/80/A45	Ø110x240x279mm±1mm	3500	2080	20W	104	45°
164495 TulipL S34017R/4000/20W/80/A45	Ø110x240x279mm±1mm	4000	2120	20W	106	45°
164496 TulipL S34017R/2700/20W/80/A60	Ø110x240x279mm±1mm	2700	2010	20W	101	60°
164497 TulipL S34017R/3000/20W/80/A60	Ø110x240x279mm±1mm	3000	2025	20W	102	60°
164498 TulipL S34017R/3500/20W/80/A60	Ø110x240x279mm±1mm	3500	2080	20W	104	60°
164499 TulipL S34017R/4000/20W/80/A60	Ø110x240x279mm±1mm	4000	2120	20W	106	60°
164500 TulipL S34017R/2700/27W/80/A15	Ø110x240x279mm±1mm	2700	2605	27W	97	15°
164501 TulipL S34017R/3000/27W/80/A15	Ø110x240x279mm±1mm	3000	2630	27W	98	15°
164502 TulipL S34017R/3500/27W/80/A15	Ø110x240x279mm±1mm	3500	2700	27W	100	15°
164503 TulipL S34017R/4000/27W/80/A15	Ø110x240x279mm±1mm	4000	2755	27W	103	15°
164504 TulipL S34017R/2700/27W/80/A30	Ø110x240x279mm±1mm	2700	2605	27W	97	30°
164505 TulipL S34017R/3000/27W/80/A30	Ø110x240x279mm±1mm	3000	2630	27W	98	30°
164506 TulipL S34017R/3500/27W/80/A30	Ø110x240x279mm±1mm	3500	2700	27W	100	30°
164507 TulipL S34017R/4000/27W/80/A30	Ø110x240x279mm±1mm	4000	2755	27W	103	30°
164508 TulipL S34017R/2700/27W/80/A45	Ø110x240x279mm±1mm	2700	2605	27W	97	45°
164509 TulipL S34017R/3000/27W/80/A45	Ø110x240x279mm±1mm	3000	2630	27W	98	45°
164510 TulipL S34017R/3500/27W/80/A45	Ø110x240x279mm±1mm	3500	2700	27W	100	45°
164511 TulipL S34017R/4000/27W/80/A45	Ø110x240x279mm±1mm	4000	2755	27W	103	45°
164512 TulipL S34017R/2700/27W/80/A60	Ø110x240x279mm±1mm	2700	2605	27W	97	60°
164513 TulipL S34017R/3000/27W/80/A60	Ø110x240x279mm±1mm	3000	2630	27W	98	60°
164514 TulipL S34017R/3500/27W/80/A60	Ø110x240x279mm±1mm	3500	2700	27W	100	60°
164515 TulipL S34017R/4000/27W/80/A60	Ø110x240x279mm±1mm	4000	2755	27W	103	60°
164659 TulipL S34017R/BVF/14W/80/A15	Ø110x240x279mm±1mm	BVF	1225	14W	88	15°
164660 TulipL S34017R/FBS/14W/80/A15	Ø110x240x279mm±1mm	FBS	830	14W	60	15°

SKU SPECIFICATIONS

Product Code	Dimensions (mm)	CCT (K)	Lumens (lm)	Power (W)	Eff. (lm/watt)	Lens Angle (°)
CRI 80						
164661 TulipL S34017R/FZM/14W/80/A15	Ø110x240x279mm±1mm	FZM	800	14W	58	15°
164662 TulipL S34017R/FSM/14W/80/A15	Ø110x240x279mm±1mm	FSM	830	14W	60	15°
164663 TulipL S34017R/FSH/14W/80/A15	Ø110x240x279mm±1mm	FSH	1180	14W	85	15°
164664 TulipL S34017R/BVF/14W/80/A30	Ø110x240x279mm±1mm	BVF	1225	14W	88	30°
164665 TulipL S34017R/FBS/14W/80/A30	Ø110x240x279mm±1mm	FBS	830	14W	60	30°
164666 TulipL S34017R/FZM/14W/80/A30	Ø110x240x279mm±1mm	FZM	800	14W	58	30°
164667 TulipL S34017R/FSM/14W/80/A30	Ø110x240x279mm±1mm	FSM	830	14W	60	30°
164668 TulipL S34017R/FSH/14W/80/A30	Ø110x240x279mm±1mm	FSH	1180	14W	85	30°
164669 TulipL S34017R/BVF/14W/80/A45	Ø110x240x279mm±1mm	BVF	1225	14W	88	45°
164670 TulipL S34017R/FBS/14W/80/A45	Ø110x240x279mm±1mm	FBS	830	14W	60	45°
164671 TulipL S34017R/FZM/14W/80/A45	Ø110x240x279mm±1mm	FZM	800	14W	58	45°
164672 TulipL S34017R/FSM/14W/80/A45	Ø110x240x279mm±1mm	FSM	830	14W	60	45°
164673 TulipL S34017R/FSH/14W/80/A45	Ø110x240x279mm±1mm	FSH	1180	14W	85	45°
164674 TulipL S34017R/BVF/14W/80/A60	Ø110x240x279mm±1mm	BVF	1225	14W	88	60°
164675 TulipL S34017R/FBS/14W/80/A60	Ø110x240x279mm±1mm	FBS	830	14W	60	60°
164676 TulipL S34017R/FZM/14W/80/A60	Ø110x240x279mm±1mm	FZM	800	14W	58	60°
164677 TulipL S34017R/FSM/14W/80/A60	Ø110x240x279mm±1mm	FSM	830	14W	60	60°
164678 TulipL S34017R/FSH/14W/80/A60	Ø110x240x279mm±1mm	FSH	1180	14W	85	60°
164679 TulipL S34017R/BVF/20W/80/A15	Ø110x240x279mm±1mm	BVF	1675	20W	84	15°
164680 TulipL S34017R/FBS/20W/80/A15	Ø110x240x279mm±1mm	FBS	1155	20W	58	15°
164681 TulipL S34017R/FZM/20W/80/A15	Ø110x240x279mm±1mm	FZM	1105	20W	56	15°
164682 TulipL S34017R/FSM/20W/80/A15	Ø110x240x279mm±1mm	FSM	1130	20W	57	15°
164683 TulipL S34017R/FSH/20W/80/A15	Ø110x240x279mm±1mm	FSH	1640	20W	82	15°
164684 TulipL S34017R/BVF/20W/80/A30	Ø110x240x279mm±1mm	BVF	1675	20W	84	30°
164685 TulipL S34017R/FBS/20W/80/A30	Ø110x240x279mm±1mm	FBS	1155	20W	58	30°
164686 TulipL S34017R/FZM/20W/80/A30	Ø110x240x279mm±1mm	FZM	1105	20W	56	30°
164687 TulipL S34017R/FSM/20W/80/A30	Ø110x240x279mm±1mm	FSM	1130	20W	57	30°
164688 TulipL S34017R/FSH/20W/80/A30	Ø110x240x279mm±1mm	FSH	1640	20W	82	30°
164689 TulipL S34017R/BVF/20W/80/A45	Ø110x240x279mm±1mm	BVF	1675	20W	84	45°
164690 TulipL S34017R/FBS/20W/80/A45	Ø110x240x279mm±1mm	FBS	1155	20W	58	45°
164691 TulipL S34017R/FZM/20W/80/A45	Ø110x240x279mm±1mm	FZM	1105	20W	56	45°
164692 TulipL S34017R/FSM/20W/80/A45	Ø110x240x279mm±1mm	FSM	1130	20W	57	45°
164693 TulipL S34017R/FSH/20W/80/A45	Ø110x240x279mm±1mm	FSH	1640	20W	82	45°
164694 TulipL S34017R/BVF/20W/80/A60	Ø110x240x279mm±1mm	BVF	1675	20W	84	60°
164695 TulipL S34017R/FBS/20W/80/A60	Ø110x240x279mm±1mm	FBS	1155	20W	58	60°
164696 TulipL S34017R/FZM/20W/80/A60	Ø110x240x279mm±1mm	FZM	1105	20W	56	60°
164697 TulipL S34017R/FSM/20W/80/A60	Ø110x240x279mm±1mm	FSM	1130	20W	57	60°
164698 TulipL S34017R/FSH/20W/80/A60	Ø110x240x279mm±1mm	FSH	1640	20W	82	60°
164699 TulipL S34017R/BVF/27W/80/A15	Ø110x240x279mm±1mm	BVF	2220	27W	83	15°
164700 TulipL S34017R/FBS/27W/80/A15	Ø110x240x279mm±1mm	FBS	1515	27W	57	15°
164701 TulipL S34017R/FZM/27W/80/A15	Ø110x240x279mm±1mm	FZM	1455	27W	54	15°
164702 TulipL S34017R/FSM/27W/80/A15	Ø110x240x279mm±1mm	FSM	1480	27W	55	15°
164703 TulipL S34017R/FSH/27W/80/A15	Ø110x240x279mm±1mm	FSH	2170	27W	81	15°
164704 TulipL S34017R/BVF/27W/80/A30	Ø110x240x279mm±1mm	BVF	2220	27W	83	30°
164705 TulipL S34017R/FBS/27W/80/A30	Ø110x240x279mm±1mm	FBS	1515	27W	57	30°
164706 TulipL S34017R/FZM/27W/80/A30	Ø110x240x279mm±1mm	FZM	1455	27W	54	30°
164707 TulipL S34017R/FSM/27W/80/A30	Ø110x240x279mm±1mm	FSM	1480	27W	55	30°
164708 TulipL S34017R/FSH/27W/80/A30	Ø110x240x279mm±1mm	FSH	2170	27W	81	30°
164709 TulipL S34017R/BVF/27W/80/A45	Ø110x240x279mm±1mm	BVF	2220	27W	83	45°
164710 TulipL S34017R/FBS/27W/80/A45	Ø110x240x279mm±1mm	FBS	1515	27W	57	45°

SKU SPECIFICATIONS

Product Code	Dimensions (mm)	CCT (K)	Lumens (lm)	Power (W)	Eff. (lm/watt)	Lens Angle (°)
CRI 80						
164711 TulipL S34017R/FZM/27W/80/A45	Ø110x240x279mm±1mm	FZM	1455	27W	54	45°
164712 TulipL S34017R/FSM/27W/80/A45	Ø110x240x279mm±1mm	FSM	1480	27W	55	45°
164713 TulipL S34017R/FSH/27W/80/A45	Ø110x240x279mm±1mm	FSH	2170	27W	81	45°
164714 TulipL S34017R/BVF/27W/80/A60	Ø110x240x279mm±1mm	BVF	2220	27W	83	60°
164715 TulipL S34017R/FBS/27W/80/A60	Ø110x240x279mm±1mm	FBS	1515	27W	57	60°
164716 TulipL S34017R/FZM/27W/80/A60	Ø110x240x279mm±1mm	FZM	1455	27W	54	60°
164717 TulipL S34017R/FSM/27W/80/A60	Ø110x240x279mm±1mm	FSM	1480	27W	55	60°
164718 TulipL S34017R/FSH/27W/80/A60	Ø110x240x279mm±1mm	FSH	2170	27W	81	60°
164727 TulipL S34017R/AMB2200/14W/80/A15	Ø110x240x279mm±1mm	AMB2200	1020	14W	73	15°
164728 TulipL S34017R/AMB2200/14W/80/A30	Ø110x240x279mm±1mm	AMB2200	1020	14W	73	30°
164729 TulipL S34017R/AMB2200/14W/80/A45	Ø110x240x279mm±1mm	AMB2200	1020	14W	73	45°
164730 TulipL S34017R/AMB2200/14W/80/A60	Ø110x240x279mm±1mm	AMB2200	1020	14W	73	60°
164731 TulipL S34017R/AMB2200/20W/80/A15	Ø110x240x279mm±1mm	AMB2200	1410	20W	71	15°
164732 TulipL S34017R/AMB2200/20W/80/A30	Ø110x240x279mm±1mm	AMB2200	1410	20W	71	30°
164733 TulipL S34017R/AMB2200/20W/80/A45	Ø110x240x279mm±1mm	AMB2200	1410	20W	71	45°
164734 TulipL S34017R/AMB2200/20W/80/A60	Ø110x240x279mm±1mm	AMB2200	1410	20W	71	60°
164735 TulipL S34017R/AMB2200/27W/80/A15	Ø110x240x279mm±1mm	AMB2200	1870	27W	70	15°
164736 TulipL S34017R/AMB2200/27W/80/A30	Ø110x240x279mm±1mm	AMB2200	1870	27W	70	30°
164737 TulipL S34017R/AMB2200/27W/80/A45	Ø110x240x279mm±1mm	AMB2200	1870	27W	70	45°
164738 TulipL S34017R/AMB2200/27W/80/A60	Ø110x240x279mm±1mm	AMB2200	1870	27W	70	60°
164819 TulipL S34017R/AMB2200/35W/80/A15	Ø110x240x279mm±1mm	AMB2200	2585	35W	74	15°
164820 TulipL S34017R/AMB2200/35W/80/A30	Ø110x240x279mm±1mm	AMB2200	2585	35W	74	30°
164821 TulipL S34017R/AMB2200/35W/80/A45	Ø110x240x279mm±1mm	AMB2200	2585	35W	74	45°
164822 TulipL S34017R/AMB2200/35W/80/A60	Ø110x240x279mm±1mm	AMB2200	2585	35W	74	60°
164823 TulipL S34017R/2700/35W/80/A15	Ø110x240x279mm±1mm	2700	3425	35W	98	15°
164824 TulipL S34017R/3000/35W/80/A15	Ø110x240x279mm±1mm	3000	3455	35W	99	15°
164825 TulipL S34017R/3500/35W/80/A15	Ø110x240x279mm±1mm	3500	3545	35W	102	15°
164826 TulipL S34017R/4000/35W/80/A15	Ø110x240x279mm±1mm	4000	3620	35W	104	15°
164827 TulipL S34017R/2700/35W/80/A30	Ø110x240x279mm±1mm	2700	3425	35W	98	30°
164828 TulipL S34017R/3000/35W/80/A30	Ø110x240x279mm±1mm	3000	3455	35W	99	30°
164829 TulipL S34017R/3500/35W/80/A30	Ø110x240x279mm±1mm	3500	3545	35W	102	30°
164830 TulipL S34017R/4000/35W/80/A30	Ø110x240x279mm±1mm	4000	3620	35W	104	30°
164831 TulipL S34017R/2700/35W/80/A45	Ø110x240x279mm±1mm	2700	3425	35W	98	45°
164832 TulipL S34017R/3000/35W/80/A45	Ø110x240x279mm±1mm	3000	3455	35W	99	45°
164833 TulipL S34017R/3500/35W/80/A45	Ø110x240x279mm±1mm	3500	3545	35W	102	45°
164834 TulipL S34017R/4000/35W/80/A45	Ø110x240x279mm±1mm	4000	3620	35W	104	45°
164835 TulipL S34017R/2700/35W/80/A60	Ø110x240x279mm±1mm	2700	3425	35W	98	60°
164836 TulipL S34017R/3000/35W/80/A60	Ø110x240x279mm±1mm	3000	3455	35W	99	60°
164837 TulipL S34017R/3500/35W/80/A60	Ø110x240x279mm±1mm	3500	3545	35W	102	60°
164838 TulipL S34017R/4000/35W/80/A60	Ø110x240x279mm±1mm	4000	3620	35W	104	60°
164851 TulipL S34017R/BVF/35W/80/A15	Ø110x240x279mm±1mm	BVF	3015	35W	87	15°
164852 TulipL S34017R/FBS/35W/80/A15	Ø110x240x279mm±1mm	FBS	2000	35W	58	15°
164853 TulipL S34017R/FZM/35W/80/A15	Ø110x240x279mm±1mm	FZM	2035	35W	59	15°
164854 TulipL S34017R/FSM/35W/80/A15	Ø110x240x279mm±1mm	FSM	2005	35W	58	15°
164855 TulipL S34017R/FSH/35W/80/A15	Ø110x240x279mm±1mm	FSH	3045	35W	87	15°
164856 TulipL S34017R/BVF/35W/80/A30	Ø110x240x279mm±1mm	BVF	3015	35W	87	30°
164857 TulipL S34017R/FBS/35W/80/A30	Ø110x240x279mm±1mm	FBS	2000	35W	58	30°
164858 TulipL S34017R/FZM/35W/80/A30	Ø110x240x279mm±1mm	FZM	2035	35W	59	30°
164859 TulipL S34017R/FSM/35W/80/A30	Ø110x240x279mm±1mm	FSM	2005	35W	58	30°
164860 TulipL S34017R/FSH/35W/80/A30	Ø110x240x279mm±1mm	FSH	3045	35W	87	30°

SKU SPECIFICATIONS

Product Code	Dimensions (mm)	CCT (K)	Lumens (lm)	Power (W)	Eff. (lm/watt)	Lens Angle (°)
CRI 80						
164861 TulipL S34017R/BVF/35W/80/A45	Ø110x240x279mm±1mm	BVF	3015	35W	87	45°
164862 TulipL S34017R/FBS/35W/80/A45	Ø110x240x279mm±1mm	FBS	2000	35W	58	45°
164863 TulipL S34017R/FZM/35W/80/A45	Ø110x240x279mm±1mm	FZM	2035	35W	59	45°
164864 TulipL S34017R/FSM/35W/80/A45	Ø110x240x279mm±1mm	FSM	2005	35W	58	45°
164865 TulipL S34017R/FSH/35W/80/A45	Ø110x240x279mm±1mm	FSH	3045	35W	87	45°
164866 TulipL S34017R/BVF/35W/80/A60	Ø110x240x279mm±1mm	BVF	3015	35W	87	60°
164867 TulipL S34017R/FBS/35W/80/A60	Ø110x240x279mm±1mm	FBS	2000	35W	58	60°
164868 TulipL S34017R/FZM/35W/80/A60	Ø110x240x279mm±1mm	FZM	2035	35W	59	60°
164869 TulipL S34017R/FSM/35W/80/A60	Ø110x240x279mm±1mm	FSM	2005	35W	58	60°
164870 TulipL S34017R/FSH/35W/80/A60	Ø110x240x279mm±1mm	FSH	3045	35W	87	60°
CRI 90						
164895 TulipL S34017R/ENT5600/16W/90/A15	Ø110x240x279mm±1mm	ENT5600	1555	16W	98	15°
164896 TulipL S34017R/ENT5600/16W/90/A30	Ø110x240x279mm±1mm	ENT5600	1555	16W	98	30°
164897 TulipL S34017R/ENT5600/16W/90/A45	Ø110x240x279mm±1mm	ENT5600	1555	16W	98	45°
164898 TulipL S34017R/ENT5600/16W/90/A60	Ø110x240x279mm±1mm	ENT5600	1555	16W	98	60°
164899 TulipL S34017R/ENT5600/21W/90/A15	Ø110x240x279mm±1mm	ENT5600	2030	21W	97	15°
164900 TulipL S34017R/ENT5600/21W/90/A30	Ø110x240x279mm±1mm	ENT5600	2030	21W	97	30°
164901 TulipL S34017R/ENT5600/21W/90/A45	Ø110x240x279mm±1mm	ENT5600	2030	21W	97	45°
164902 TulipL S34017R/ENT5600/21W/90/A60	Ø110x240x279mm±1mm	ENT5600	2030	21W	97	60°
164903 TulipL S34017R/ENT5600/27W/90/A15	Ø110x240x279mm±1mm	ENT5600	2575	27W	96	15°
164904 TulipL S34017R/ENT5600/27W/90/A30	Ø110x240x279mm±1mm	ENT5600	2575	27W	96	30°
164905 TulipL S34017R/ENT5600/27W/90/A45	Ø110x240x279mm±1mm	ENT5600	2575	27W	96	45°
164906 TulipL S34017R/ENT5600/27W/90/A60	Ø110x240x279mm±1mm	ENT5600	2575	27W	96	60°
164907 TulipL S34017R/ENT5600/32W/90/A15	Ø110x240x279mm±1mm	ENT5600	3005	32W	94	15°
164908 TulipL S34017R/ENT5600/32W/90/A30	Ø110x240x279mm±1mm	ENT5600	3005	32W	94	30°
164909 TulipL S34017R/ENT5600/32W/90/A45	Ø110x240x279mm±1mm	ENT5600	3005	32W	94	45°
164910 TulipL S34017R/ENT5600/32W/90/A60	Ø110x240x279mm±1mm	ENT5600	3005	32W	94	60°
CRI 93						
164763 TulipL S34017R/AGI3000/14W/93/A15	Ø110x240x279mm±1mm	AGI3000	845	14W	61	15°
164764 TulipL S34017R/AGI3500/14W/93/A15	Ø110x240x279mm±1mm	AGI3500	900	14W	65	15°
164765 TulipL S34017R/AGI4000/14W/93/A15	Ø110x240x279mm±1mm	AGI4000	955	14W	69	15°
164766 TulipL S34017R/AGI3000/14W/93/A30	Ø110x240x279mm±1mm	AGI3000	845	14W	61	30°
164767 TulipL S34017R/AGI3500/14W/93/A30	Ø110x240x279mm±1mm	AGI3500	900	14W	65	30°
164768 TulipL S34017R/AGI4000/14W/93/A30	Ø110x240x279mm±1mm	AGI4000	955	14W	69	30°
164769 TulipL S34017R/AGI3000/14W/93/A45	Ø110x240x279mm±1mm	AGI3000	845	14W	61	45°
164770 TulipL S34017R/AGI3500/14W/93/A45	Ø110x240x279mm±1mm	AGI3500	900	14W	65	45°
164771 TulipL S34017R/AGI4000/14W/93/A45	Ø110x240x279mm±1mm	AGI4000	955	14W	69	45°
164772 TulipL S34017R/AGI3000/14W/93/A60	Ø110x240x279mm±1mm	AGI3000	845	14W	61	60°
164773 TulipL S34017R/AGI3500/14W/93/A60	Ø110x240x279mm±1mm	AGI3500	900	14W	65	60°
164774 TulipL S34017R/AGI4000/14W/93/A60	Ø110x240x279mm±1mm	AGI4000	955	14W	69	60°
164775 TulipL S34017R/AGI3000/20W/93/A15	Ø110x240x279mm±1mm	AGI3000	1200	20W	60	15°
164776 TulipL S34017R/AGI3500/20W/93/A15	Ø110x240x279mm±1mm	AGI3500	1275	20W	64	15°
164777 TulipL S34017R/AGI4000/20W/93/A15	Ø110x240x279mm±1mm	AGI4000	1355	20W	68	15°
164778 TulipL S34017R/AGI3000/20W/93/A30	Ø110x240x279mm±1mm	AGI3000	1200	20W	60	30°
164779 TulipL S34017R/AGI3500/20W/93/A30	Ø110x240x279mm±1mm	AGI3500	1275	20W	64	30°
164780 TulipL S34017R/AGI4000/20W/93/A30	Ø110x240x279mm±1mm	AGI4000	1355	20W	68	30°
164781 TulipL S34017R/AGI3000/20W/93/A45	Ø110x240x279mm±1mm	AGI3000	1200	20W	60	45°
164782 TulipL S34017R/AGI3500/20W/93/A45	Ø110x240x279mm±1mm	AGI3500	1275	20W	64	45°

SKU SPECIFICATIONS

Product Code	Dimensions (mm)	CCT (K)	Lumens (lm)	Power (W)	Eff. (lm/watt)	Lens Angle (°)
CRI 93						
164783 TulipL S34017R/AGI4000/20W/93/A45	Ø110x240x279mm±1mm	AGI4000	1355	20W	68	45°
164784 TulipL S34017R/AGI3000/20W/93/A60	Ø110x240x279mm±1mm	AGI3000	1200	20W	60	60°
164785 TulipL S34017R/AGI3500/20W/93/A60	Ø110x240x279mm±1mm	AGI3500	1275	20W	64	60°
164786 TulipL S34017R/AGI4000/20W/93/A60	Ø110x240x279mm±1mm	AGI4000	1355	20W	68	60°
164787 TulipL S34017R/AGI3000/27W/93/A15	Ø110x240x279mm±1mm	AGI3000	1505	27W	56	15°
164788 TulipL S34017R/AGI3500/27W/93/A15	Ø110x240x279mm±1mm	AGI3500	1595	27W	60	15°
164789 TulipL S34017R/AGI4000/27W/93/A15	Ø110x240x279mm±1mm	AGI4000	1700	27W	63	15°
164790 TulipL S34017R/AGI3000/27W/93/A30	Ø110x240x279mm±1mm	AGI3000	1505	27W	56	30°
164791 TulipL S34017R/AGI3500/27W/93/A30	Ø110x240x279mm±1mm	AGI3500	1595	27W	60	30°
164792 TulipL S34017R/AGI4000/27W/93/A30	Ø110x240x279mm±1mm	AGI4000	1700	27W	63	30°
164793 TulipL S34017R/AGI3000/27W/93/A45	Ø110x240x279mm±1mm	AGI3000	1505	27W	56	45°
164794 TulipL S34017R/AGI3500/27W/93/A45	Ø110x240x279mm±1mm	AGI3500	1595	27W	60	45°
164795 TulipL S34017R/AGI4000/27W/93/A45	Ø110x240x279mm±1mm	AGI4000	1700	27W	63	45°
164796 TulipL S34017R/AGI3000/27W/93/A60	Ø110x240x279mm±1mm	AGI3000	1505	27W	56	60°
164797 TulipL S34017R/AGI3500/27W/93/A60	Ø110x240x279mm±1mm	AGI3500	1595	27W	60	60°
164798 TulipL S34017R/AGI4000/27W/93/A60	Ø110x240x279mm±1mm	AGI4000	1700	27W	63	60°
164871 TulipL S34017R/AGI3000/35W/93/A15	Ø110x240x279mm±1mm	AGI3000	1865	35W	54	15°
164872 TulipL S34017R/AGI3500/35W/93/A15	Ø110x240x279mm±1mm	AGI3500	1980	35W	57	15°
164873 TulipL S34017R/AGI4000/35W/93/A15	Ø110x240x279mm±1mm	AGI4000	2105	35W	61	15°
164874 TulipL S34017R/AGI3000/35W/93/A30	Ø110x240x279mm±1mm	AGI3000	1865	35W	54	30°
164875 TulipL S34017R/AGI3500/35W/93/A30	Ø110x240x279mm±1mm	AGI3500	1980	35W	57	30°
164876 TulipL S34017R/AGI4000/35W/93/A30	Ø110x240x279mm±1mm	AGI4000	2105	35W	61	30°
164877 TulipL S34017R/AGI3000/35W/93/A45	Ø110x240x279mm±1mm	AGI3000	1865	35W	54	45°
164878 TulipL S34017R/AGI3500/35W/93/A45	Ø110x240x279mm±1mm	AGI3500	1980	35W	57	45°
164879 TulipL S34017R/AGI4000/35W/93/A45	Ø110x240x279mm±1mm	AGI4000	2105	35W	61	45°
164880 TulipL S34017R/AGI3000/35W/93/A60	Ø110x240x279mm±1mm	AGI3000	1865	35W	54	60°
164881 TulipL S34017R/AGI3500/35W/93/A60	Ø110x240x279mm±1mm	AGI3500	1980	35W	57	60°
164882 TulipL S34017R/AGI4000/35W/93/A60	Ø110x240x279mm±1mm	AGI4000	2105	35W	61	60°
CRI 95						
164807 TulipL S34017R/FAS/14W/95/A15	Ø110x240x279mm±1mm	FAS	1165	14W	84	15°
164808 TulipL S34017R/FAS/14W/95/A30	Ø110x240x279mm±1mm	FAS	1165	14W	84	30°
164809 TulipL S34017R/FAS/14W/95/A45	Ø110x240x279mm±1mm	FAS	1165	14W	84	45°
164810 TulipL S34017R/FAS/14W/95/A60	Ø110x240x279mm±1mm	FAS	1165	14W	84	60°
164811 TulipL S34017R/FAS/20W/95/A15	Ø110x240x279mm±1mm	FAS	1610	20W	81	15°
164812 TulipL S34017R/FAS/20W/95/A30	Ø110x240x279mm±1mm	FAS	1610	20W	81	30°
164813 TulipL S34017R/FAS/20W/95/A45	Ø110x240x279mm±1mm	FAS	1610	20W	81	45°
164814 TulipL S34017R/FAS/20W/95/A60	Ø110x240x279mm±1mm	FAS	1610	20W	81	60°
164815 TulipL S34017R/FAS/27W/95/A15	Ø110x240x279mm±1mm	FAS	2120	27W	79	15°
164816 TulipL S34017R/FAS/27W/95/A30	Ø110x240x279mm±1mm	FAS	2120	27W	79	30°
164817 TulipL S34017R/FAS/27W/95/A45	Ø110x240x279mm±1mm	FAS	2120	27W	79	45°
164818 TulipL S34017R/FAS/27W/95/A60	Ø110x240x279mm±1mm	FAS	2120	27W	79	60°
164883 TulipL S34017R/FAS/35W/95/A15	Ø110x240x279mm±1mm	FAS	2875	35W	83	15°
164884 TulipL S34017R/FAS/35W/95/A30	Ø110x240x279mm±1mm	FAS	2875	35W	83	30°
164885 TulipL S34017R/FAS/35W/95/A45	Ø110x240x279mm±1mm	FAS	2875	35W	83	45°
164886 TulipL S34017R/FAS/35W/95/A60	Ø110x240x279mm±1mm	FAS	2875	35W	83	60°
CRI 97						
164923 TulipL S34017R/ENT5600/16W/97/A15	Ø110x240x279mm±1mm	ENT5600	1385	16W	87	15°
164924 TulipL S34017R/ENT5600/16W/97/A30	Ø110x240x279mm±1mm	ENT5600	1385	16W	87	30°

SKU SPECIFICATIONS

Product Code	Dimensions (mm)	CCT (K)	Lumens (lm)	Power (W)	Eff. (lm/watt)	Lens Angle (°)
CRI 97						
164925 TulipL S34017R/ENT5600/16W/97/A45	Ø110x240x279mm±1mm	ENT5600	1385	16W	87	45°
164926 TulipL S34017R/ENT5600/16W/97/A60	Ø110x240x279mm±1mm	ENT5600	1385	16W	87	60°
164927 TulipL S34017R/ENT5600/21W/97/A15	Ø110x240x279mm±1mm	ENT5600	1825	21W	87	15°
164928 TulipL S34017R/ENT5600/21W/97/A30	Ø110x240x279mm±1mm	ENT5600	1825	21W	87	30°
164929 TulipL S34017R/ENT5600/21W/97/A45	Ø110x240x279mm±1mm	ENT5600	1825	21W	87	45°
164930 TulipL S34017R/ENT5600/21W/97/A60	Ø110x240x279mm±1mm	ENT5600	1825	21W	87	60°
164931 TulipL S34017R/ENT5600/27W/97/A15	Ø110x240x279mm±1mm	ENT5600	2310	27W	86	15°
164932 TulipL S34017R/ENT5600/27W/97/A30	Ø110x240x279mm±1mm	ENT5600	2310	27W	86	30°
164933 TulipL S34017R/ENT5600/27W/97/A45	Ø110x240x279mm±1mm	ENT5600	2310	27W	86	45°
164934 TulipL S34017R/ENT5600/27W/97/A60	Ø110x240x279mm±1mm	ENT5600	2310	27W	86	60°
164935 TulipL S34017R/ENT5600/32W/97/A15	Ø110x240x279mm±1mm	ENT5600	2670	32W	84	15°
164936 TulipL S34017R/ENT5600/32W/97/A30	Ø110x240x279mm±1mm	ENT5600	2670	32W	84	30°
164937 TulipL S34017R/ENT5600/32W/97/A45	Ø110x240x279mm±1mm	ENT5600	2670	32W	84	45°
164938 TulipL S34017R/ENT5600/32W/97/A60	Ø110x240x279mm±1mm	ENT5600	2670	32W	84	60°
CRI 98						
164551 TulipL S34017R/ART3000/14W/98/A15	Ø110x240x279mm±1mm	ART3000	1160	14W	83	15°
164553 TulipL S34017R/ART3000/14W/98/A30	Ø110x240x279mm±1mm	ART3000	1160	14W	83	30°
164555 TulipL S34017R/ART3000/14W/98/A45	Ø110x240x279mm±1mm	ART3000	1160	14W	83	45°
164557 TulipL S34017R/ART3000/14W/98/A60	Ø110x240x279mm±1mm	ART3000	1160	14W	83	60°
164559 TulipL S34017R/ART3000/20W/98/A15	Ø110x240x279mm±1mm	ART3000	1600	20W	80	15°
164561 TulipL S34017R/ART3000/20W/98/A30	Ø110x240x279mm±1mm	ART3000	1600	20W	80	30°
164563 TulipL S34017R/ART3000/20W/98/A45	Ø110x240x279mm±1mm	ART3000	1600	20W	80	45°
164565 TulipL S34017R/ART3000/20W/98/A60	Ø110x240x279mm±1mm	ART3000	1600	20W	80	60°
164567 TulipL S34017R/ART3000/27W/98/A15	Ø110x240x279mm±1mm	ART3000	2095	27W	78	15°
164569 TulipL S34017R/ART3000/27W/98/A30	Ø110x240x279mm±1mm	ART3000	2095	27W	78	30°
164571 TulipL S34017R/ART3000/27W/98/A45	Ø110x240x279mm±1mm	ART3000	2095	27W	78	45°
164573 TulipL S34017R/ART3000/27W/98/A60	Ø110x240x279mm±1mm	ART3000	2095	27W	78	60°
164844 TulipL S34017R/ART3000/35W/98/A15	Ø110x240x279mm±1mm	ART3000	2650	35W	76	15°
164846 TulipL S34017R/ART3000/35W/98/A30	Ø110x240x279mm±1mm	ART3000	2650	35W	76	30°
164848 TulipL S34017R/ART3000/35W/98/A45	Ø110x240x279mm±1mm	ART3000	2650	35W	76	45°
164850 TulipL S34017R/ART3000/35W/98/A60	Ø110x240x279mm±1mm	ART3000	2650	35W	76	60°

Technical specifications can be modified without prior notice. All information is property of Greentek Lighting.

The presentation picture is for information purposes only. Latest document update: November 14, 2019 10:52 AM. www.greentek.eu