



Empire S

RECESSED DOWNLIGHTS & SPOTLIGHTS | ECO-DALI EM SERIES

With an elegant square encasing, Empire S provides a beautiful accent lighting. Lens angles of 25, 45 or 50 degrees. It comes in three diameters, thus suitable to replace any type of conventional ceiling lamps. Can be equipped with a large range of special colors for food, fashion, art and AGI.

Empire S recessed luminaires come in several series, with various add-on and controls:

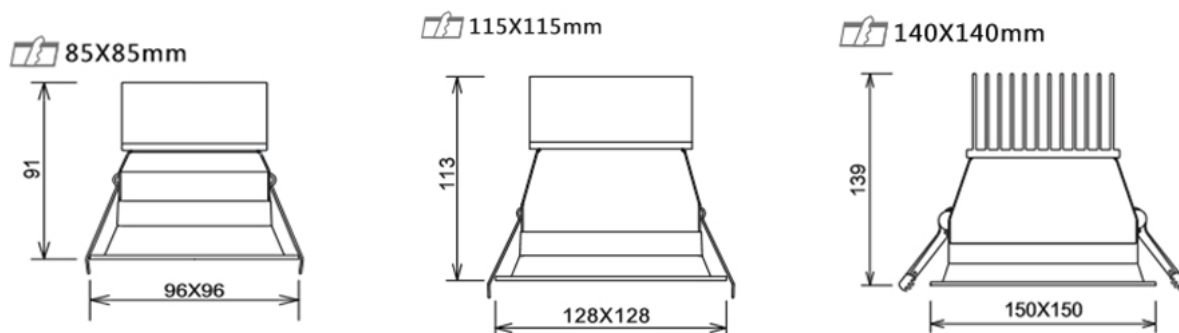
- Empire S TEC – the standard for any project in the retail and health sectors
- Empire S EM – with emergency lighting kit
- Empire S ECO-DALI – with DALI controls for dimming
- Empire S ECO-DALI EM - with both dimming and emergency kit

FEATURES & BENEFITS

- CRI ≥ 80 as standard, up to 98 for specific special color temperatures
- 15 color temperatures, specialized options included
- Luminaire efficiency: 117 lm/W @4000K
- Optics: 25°, 45°, 50°
- IP factor: IP20, IP40 for front face only
- With emergency kits of 1h and 3 h
- Dimmable

APPLICATION

Grocery & Supermarkets | Retail | Offices | Hospitality | Art & Exhibitions



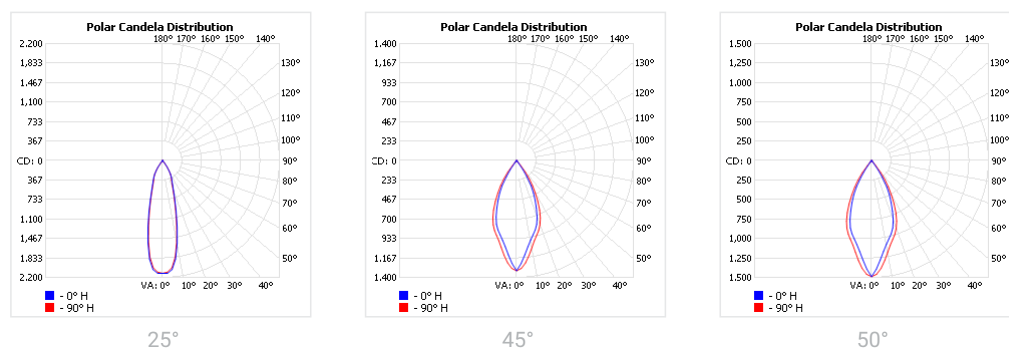
SPECIFICATIONS

Power consumption	12W, 14W, 17W, 20W	12W, 14W, 17W, 20W, 23W, 27W	12W, 14W, 17W, 20W, 23W, 27W
Dimensions	96x96xH91xC85mm±1mm	128x128xH113xC115mm±1mm	150x150xH139xC115mm±1mm
Weight	1.4 kg	1.7 kg	2.0 kg
Housing materials	Aluminium, Glass		
IK code	IK02		
THD (at 230V, 50Hz, Full load)	<20%		
Protection class	Safety class 1		
Operating temperature [°C]	-20°C...+45°C / -4°F...+113°F		
Operating humidity [%]	10 ÷ 85		
Power factor	≥0.95		
AC Input [Vac]	220 - 240		
Lens angle [°]	25°, 45°, 50°		
Lifespan [h]	50,000		
Housing color	○ RAL 9003 - Signal white, ● RAL 9005 - Jet Black, ● RAL 9006 - White Aluminium		
Lumen maintenance	L90/B10@50,000h at 25°C		
IP factor	IP20		
Control optional	ECO - DALI		
Warranty [years]	5		
Storage temperature range [°C]	-20°C... +55°C / -4°F ... +131°F		
Emergency option	EM1H, EM3H		

Light application	Standard	Food		Fashion	AGI	Art
CRI	CRI 80	CRI 80		CRI 95	CRI 93	CRI 98
CCT [K]	2700K/3000K/3500K/4000K	BVF/FSM/FSH	FBS/FZM	FAS	AGI 3000/3500/4000	ART 2700/3000
MacAdam	3	3	4	3	3	2

CRI - Color rendering, CCT - Color temperature, MacAdam - Color consistency

LIGHT DISTRIBUTION



SKU SPECIFICATIONS

Product Code	Dimensions (mm)	CCT (K)	Lumens (lm)	Power (W)	Eff. (lm/watt)	Lens Angle (°)
CRI 80						
206128 EmpireS D35000/2700/14W/80/A25/EM1H	96x96xH91±1mm	2700	1485	14W	107	25°
206129 EmpireS D35000/3000/14W/80/A25/EM1H	96x96xH91±1mm	3000	1500	14W	108	25°
206130 EmpireS D35000/3500/14W/80/A25/EM1H	96x96xH91±1mm	3500	1540	14W	110	25°
206131 EmpireS D35000/4000/14W/80/A25/EM1H	96x96xH91±1mm	4000	1570	14W	113	25°
206133 EmpireS D35000/2700/14W/80/A45/EM1H	96x96xH91±1mm	2700	1485	14W	107	45°
206134 EmpireS D35000/3000/14W/80/A45/EM1H	96x96xH91±1mm	3000	1500	14W	108	45°
206135 EmpireS D35000/3500/14W/80/A45/EM1H	96x96xH91±1mm	3500	1540	14W	110	45°
206136 EmpireS D35000/4000/14W/80/A45/EM1H	96x96xH91±1mm	4000	1570	14W	113	45°
206138 EmpireS D35000/2700/20W/80/A25/EM1H	96x96xH91±1mm	2700	2080	20W	104	25°
206139 EmpireS D35000/3000/20W/80/A25/EM1H	96x96xH91±1mm	3000	2100	20W	105	25°
206140 EmpireS D35000/3500/20W/80/A25/EM1H	96x96xH91±1mm	3500	2160	20W	108	25°
206141 EmpireS D35000/4000/20W/80/A25/EM1H	96x96xH91±1mm	4000	2200	20W	110	25°
206143 EmpireS D35000/2700/20W/80/A45/EM1H	96x96xH91±1mm	2700	2080	20W	104	45°
206144 EmpireS D35000/3000/20W/80/A45/EM1H	96x96xH91±1mm	3000	2100	20W	105	45°
206145 EmpireS D35000/3500/20W/80/A45/EM1H	96x96xH91±1mm	3500	2160	20W	108	45°
206146 EmpireS D35000/4000/20W/80/A45/EM1H	96x96xH91±1mm	4000	2200	20W	110	45°
206148 EmpireS D35001/2700/14W/80/A45/EM1H	128x128xH113x±1mm	2700	1485	14W	107	45°
206149 EmpireS D35001/3000/14W/80/A45/EM1H	128x128xH113x±1mm	3000	1500	14W	108	45°
206150 EmpireS D35001/3500/14W/80/A45/EM1H	128x128xH113x±1mm	3500	1540	14W	110	45°
206151 EmpireS D35001/4000/14W/80/A45/EM1H	128x128xH113x±1mm	4000	1570	14W	113	45°
206153 EmpireS D35001/2700/20W/80/A45/EM1H	128x128xH113x±1mm	2700	2080	20W	104	45°
206154 EmpireS D35001/3000/20W/80/A45/EM1H	128x128xH113x±1mm	3000	2100	20W	105	45°
206155 EmpireS D35001/3500/20W/80/A45/EM1H	128x128xH113x±1mm	3500	2160	20W	108	45°
206156 EmpireS D35001/4000/20W/80/A45/EM1H	128x128xH113x±1mm	4000	2200	20W	110	45°
206158 EmpireS D35001/2700/27W/80/A45/EM1H	128x128xH113x±1mm	2700	2945	27W	110	45°
206159 EmpireS D35001/3000/27W/80/A45/EM1H	128x128xH113x±1mm	3000	2970	27W	110	45°
206160 EmpireS D35001/3500/27W/80/A45/EM1H	128x128xH113x±1mm	3500	3055	27W	114	45°
206161 EmpireS D35001/4000/27W/80/A45/EM1H	128x128xH113x±1mm	4000	3135	27W	117	45°
206163 EmpireS D35002/2700/14W/80/A50/EM1H	150x150xH139±1mm	2700	1485	14W	107	50°
206164 EmpireS D35002/3000/14W/80/A50/EM1H	150x150xH139±1mm	3000	1500	14W	108	50°
206165 EmpireS D35002/3500/14W/80/A50/EM1H	150x150xH139±1mm	3500	1540	14W	110	50°
206166 EmpireS D35002/4000/14W/80/A50/EM1H	150x150xH139±1mm	4000	1570	14W	113	50°
206168 EmpireS D35002/2700/20W/80/A50/EM1H	150x150xH139±1mm	2700	2080	20W	104	50°
206169 EmpireS D35002/3000/20W/80/A50/EM1H	150x150xH139±1mm	3000	2100	20W	105	50°
206170 EmpireS D35002/3500/20W/80/A50/EM1H	150x150xH139±1mm	3500	2160	20W	108	50°
206171 EmpireS D35002/4000/20W/80/A50/EM1H	150x150xH139±1mm	4000	2200	20W	110	50°
206173 EmpireS D35002/2700/27W/80/A50/EM1H	150x150xH139±1mm	2700	2945	27W	110	50°
206174 EmpireS D35002/3000/27W/80/A50/EM1H	150x150xH139±1mm	3000	2970	27W	110	50°
206175 EmpireS D35002/3500/27W/80/A50/EM1H	150x150xH139±1mm	3500	3055	27W	114	50°
206176 EmpireS D35002/4000/27W/80/A50/EM1H	150x150xH139±1mm	4000	3135	27W	117	50°
206178 EmpireS D35000/2700/14W/80/A25/EM3H	96x96xH91±1mm	2700	1485	14W	107	25°
206179 EmpireS D35000/3000/14W/80/A25/EM3H	96x96xH91±1mm	3000	1500	14W	108	25°
206180 EmpireS D35000/3500/14W/80/A25/EM3H	96x96xH91±1mm	3500	1540	14W	110	25°
206181 EmpireS D35000/4000/14W/80/A25/EM3H	96x96xH91±1mm	4000	1570	14W	113	25°
206183 EmpireS D35000/2700/14W/80/A45/EM3H	96x96xH91±1mm	2700	1485	14W	107	45°
206184 EmpireS D35000/3000/14W/80/A45/EM3H	96x96xH91±1mm	3000	1500	14W	108	45°
206185 EmpireS D35000/3500/14W/80/A45/EM3H	96x96xH91±1mm	3500	1540	14W	110	45°
206186 EmpireS D35000/4000/14W/80/A45/EM3H	96x96xH91±1mm	4000	1570	14W	113	45°
206188 EmpireS D35000/2700/20W/80/A25/EM3H	96x96xH91±1mm	2700	2080	20W	104	25°
206189 EmpireS D35000/3000/20W/80/A25/EM3H	96x96xH91±1mm	3000	2100	20W	105	25°

SKU SPECIFICATIONS

Product Code	Dimensions (mm)	CCT (K)	Lumens (lm)	Power (W)	Eff. (lm/watt)	Lens Angle (°)
CRI 80						
206190 EmpireS D35000/3500/20W/80/A25/EM3H	96x96xH91±1mm	3500	2160	20W	108	25°
206191 EmpireS D35000/4000/20W/80/A25/EM3H	96x96xH91±1mm	4000	2200	20W	110	25°
206193 EmpireS D35000/2700/20W/80/A45/EM3H	96x96xH91±1mm	2700	2080	20W	104	45°
206194 EmpireS D35000/3000/20W/80/A45/EM3H	96x96xH91±1mm	3000	2100	20W	105	45°
206195 EmpireS D35000/3500/20W/80/A45/EM3H	96x96xH91±1mm	3500	2160	20W	108	45°
206196 EmpireS D35000/4000/20W/80/A45/EM3H	96x96xH91±1mm	4000	2200	20W	110	45°
206198 EmpireS D35001/2700/14W/80/A45/EM3H	128x128xH113x±1mm	2700	1485	14W	107	45°
206199 EmpireS D35001/3000/14W/80/A45/EM3H	128x128xH113x±1mm	3000	1500	14W	108	45°
206200 EmpireS D35001/3500/14W/80/A45/EM3H	128x128xH113x±1mm	3500	1540	14W	110	45°
206201 EmpireS D35001/4000/14W/80/A45/EM3H	128x128xH113x±1mm	4000	1570	14W	113	45°
206203 EmpireS D35001/2700/20W/80/A45/EM3H	128x128xH113x±1mm	2700	2080	20W	104	45°
206204 EmpireS D35001/3000/20W/80/A45/EM3H	128x128xH113x±1mm	3000	2100	20W	105	45°
206205 EmpireS D35001/3500/20W/80/A45/EM3H	128x128xH113x±1mm	3500	2160	20W	108	45°
206206 EmpireS D35001/4000/20W/80/A45/EM3H	128x128xH113x±1mm	4000	2200	20W	110	45°
206208 EmpireS D35001/2700/27W/80/A45/EM3H	128x128xH113x±1mm	2700	2945	27W	110	45°
206209 EmpireS D35001/3000/27W/80/A45/EM3H	128x128xH113x±1mm	3000	2970	27W	110	45°
206210 EmpireS D35001/3500/27W/80/A45/EM3H	128x128xH113x±1mm	3500	3055	27W	114	45°
206211 EmpireS D35001/4000/27W/80/A45/EM3H	128x128xH113x±1mm	4000	3135	27W	117	45°
206213 EmpireS D35002/2700/14W/80/A50/EM3H	150x150xH139±1mm	2700	1485	14W	107	50°
206214 EmpireS D35002/3000/14W/80/A50/EM3H	150x150xH139±1mm	3000	1500	14W	108	50°
206215 EmpireS D35002/3500/14W/80/A50/EM3H	150x150xH139±1mm	3500	1540	14W	110	50°
206216 EmpireS D35002/4000/14W/80/A50/EM3H	150x150xH139±1mm	4000	1570	14W	113	50°
206218 EmpireS D35002/2700/20W/80/A50/EM3H	150x150xH139±1mm	2700	2080	20W	104	50°
206219 EmpireS D35002/3000/20W/80/A50/EM3H	150x150xH139±1mm	3000	2100	20W	105	50°
206220 EmpireS D35002/3500/20W/80/A50/EM3H	150x150xH139±1mm	3500	2160	20W	108	50°
206221 EmpireS D35002/4000/20W/80/A50/EM3H	150x150xH139±1mm	4000	2200	20W	110	50°
206223 EmpireS D35002/2700/27W/80/A50/EM3H	150x150xH139±1mm	2700	2945	27W	110	50°
206224 EmpireS D35002/3000/27W/80/A50/EM3H	150x150xH139±1mm	3000	2970	27W	110	50°
206225 EmpireS D35002/3500/27W/80/A50/EM3H	150x150xH139±1mm	3500	3055	27W	114	50°
206226 EmpireS D35002/4000/27W/80/A50/EM3H	150x150xH139±1mm	4000	3135	27W	117	50°
CRI 93						
206430 EmpireS D35000/AGI3000/12W/93/A25/EM1H	96x96xH91±1mm	AGI3500	735	12W	62	25°
206431 EmpireS D35000/AGI3500/12W/93/A25/EM1H	96x96xH91±1mm	AGI3500	780	12W	65	25°
206432 EmpireS D35000/AGI4000/12W/93/A25/EM1H	96x96xH91±1mm	AGI4000	830	12W	70	25°
206433 EmpireS D35000/AGI3000/12W/93/A45/EM1H	96x96xH91±1mm	AGI3000	735	12W	62	45°
206434 EmpireS D35000/AGI3500/12W/93/A45/EM1H	96x96xH91±1mm	AGI3500	780	12W	65	45°
206435 EmpireS D35000/AGI4000/12W/93/A45/EM1H	96x96xH91±1mm	AGI4000	830	12W	70	45°
206436 EmpireS D35000/AGI3000/17W/93/A25/EM1H	96x96xH91±1mm	AGI3000	985	17W	58	25°
206437 EmpireS D35000/AGI3500/17W/93/A25/EM1H	96x96xH91±1mm	AGI3500	1050	17W	62	25°
206438 EmpireS D35000/AGI4000/17W/93/A25/EM1H	96x96xH91±1mm	AGI4000	1115	17W	66	25°
206439 EmpireS D35000/AGI3000/17W/93/A45/EM1H	96x96xH91±1mm	AGI3000	985	17W	58	45°
206440 EmpireS D35000/AGI3500/17W/93/A45/EM1H	96x96xH91±1mm	AGI3500	1050	17W	62	45°
206441 EmpireS D35000/AGI4000/17W/93/A45/EM1H	96x96xH91±1mm	AGI4000	1115	17W	66	45°
206442 EmpireS D35001/AGI3000/12W/93/A45/EM1H	128x128xH113x±1mm	AGI3000	735	12W	62	45°
206443 EmpireS D35001/AGI3500/12W/93/A45/EM1H	128x128xH113x±1mm	AGI3500	780	12W	65	45°
206444 EmpireS D35001/AGI4000/12W/93/A45/EM1H	128x128xH113x±1mm	AGI4000	830	12W	70	45°
206445 EmpireS D35001/AGI3000/17W/93/A45/EM1H	128x128xH113x±1mm	AGI3000	985	17W	58	45°
206446 EmpireS D35001/AGI3500/17W/93/A45/EM1H	128x128xH113x±1mm	AGI3500	1050	17W	62	45°
206447 EmpireS D35001/AGI4000/17W/93/A45/EM1H	128x128xH113x±1mm	AGI4000	1115	17W	66	45°

SKU SPECIFICATIONS

Product Code	Dimensions (mm)	CCT (K)	Lumens (lm)	Power (W)	Eff. (lm/watt)	Lens Angle (°)
CRI 93						
206448 EmpireS D35001/AGI3000/23W/93/A45/EM1H	128x128xH113x±1mm	AGI3000	1330	23W	58	45°
206449 EmpireS D35001/AGI3500/23W/93/A45/EM1H	128x128xH113x±1mm	AGI3500	1440	23W	63	45°
206450 EmpireS D35001/AGI4000/23W/93/A45/EM1H	128x128xH113x±1mm	AGI4000	1550	23W	68	45°
206451 EmpireS D35002/AGI3000/12W/93/A50/EM1H	150x150xH139±1mm	AGI3000	735	12W	62	50°
206452 EmpireS D35002/AGI3500/12W/93/A50/EM1H	150x150xH139±1mm	AGI3500	780	12W	65	50°
206453 EmpireS D35002/AGI4000/12W/93/A50/EM1H	150x150xH139±1mm	AGI4000	830	12W	70	50°
206454 EmpireS D35002/AGI3000/17W/93/A50/EM1H	150x150xH139±1mm	AGI3000	985	17W	58	50°
206455 EmpireS D35002/AGI3500/17W/93/A50/EM1H	150x150xH139±1mm	AGI3500	1050	17W	62	50°
206456 EmpireS D35002/AGI4000/17W/93/A50/EM1H	150x150xH139±1mm	AGI4000	1115	17W	66	50°
206457 EmpireS D35002/AGI3000/23W/93/A50/EM1H	150x150xH139±1mm	AGI3000	1330	23W	58	50°
206458 EmpireS D35002/AGI3500/23W/93/A50/EM1H	150x150xH139±1mm	AGI3500	1440	23W	63	50°
206459 EmpireS D35002/AGI4000/23W/93/A50/EM1H	150x150xH139±1mm	AGI4000	1550	23W	68	50°
206460 EmpireS D35000/AGI3000/12W/93/A25/EM3H	96x96xH91±1mm	AGI3500	735	12W	62	25°
206461 EmpireS D35000/AGI3500/12W/93/A25/EM3H	96x96xH91±1mm	AGI3500	780	12W	65	25°
206462 EmpireS D35000/AGI4000/12W/93/A25/EM3H	96x96xH91±1mm	AGI4000	830	12W	70	25°
206463 EmpireS D35000/AGI3000/12W/93/A45/EM3H	96x96xH91±1mm	AGI3000	735	12W	62	45°
206464 EmpireS D35000/AGI3500/12W/93/A45/EM3H	96x96xH91±1mm	AGI3500	780	12W	65	45°
206465 EmpireS D35000/AGI4000/12W/93/A45/EM3H	96x96xH91±1mm	AGI4000	830	12W	70	45°
206466 EmpireS D35000/AGI3000/17W/93/A25/EM3H	96x96xH91±1mm	AGI3000	985	17W	58	25°
206467 EmpireS D35000/AGI3500/17W/93/A25/EM3H	96x96xH91±1mm	AGI3500	1050	17W	62	25°
206468 EmpireS D35000/AGI4000/17W/93/A25/EM3H	96x96xH91±1mm	AGI4000	1115	17W	66	25°
206469 EmpireS D35000/AGI3000/17W/93/A45/EM3H	96x96xH91±1mm	AGI3000	985	17W	58	45°
206470 EmpireS D35000/AGI3500/17W/93/A45/EM3H	96x96xH91±1mm	AGI3500	1050	17W	62	45°
206471 EmpireS D35000/AGI4000/17W/93/A45/EM3H	96x96xH91±1mm	AGI4000	1115	17W	66	45°
206472 EmpireS D35001/AGI3000/12W/93/A45/EM3H	128x128xH113x±1mm	AGI3000	735	12W	62	45°
206473 EmpireS D35001/AGI3500/12W/93/A45/EM3H	128x128xH113x±1mm	AGI3500	780	12W	65	45°
206474 EmpireS D35001/AGI4000/12W/93/A45/EM3H	128x128xH113x±1mm	AGI4000	830	12W	70	45°
206475 EmpireS D35001/AGI3000/17W/93/A45/EM3H	128x128xH113x±1mm	AGI3000	985	17W	58	45°
206476 EmpireS D35001/AGI3500/17W/93/A45/EM3H	128x128xH113x±1mm	AGI3500	1050	17W	62	45°
206477 EmpireS D35001/AGI4000/17W/93/A45/EM3H	128x128xH113x±1mm	AGI4000	1115	17W	66	45°
206478 EmpireS D35001/AGI3000/23W/93/A45/EM3H	128x128xH113x±1mm	AGI3000	1330	23W	58	45°
206479 EmpireS D35001/AGI3500/23W/93/A45/EM3H	128x128xH113x±1mm	AGI3500	1440	23W	63	45°
206480 EmpireS D35001/AGI4000/23W/93/A45/EM3H	128x128xH113x±1mm	AGI4000	1550	23W	68	45°
206481 D35002 AGI3000/AGI3000/12W/93/A50/EM3H	150x150xH139±1mm	AGI3000	735	12W	62	50°
206482 D35002 AGI3500/AGI3500/12W/93/A50/EM3H	150x150xH139±1mm	AGI3500	780	12W	65	50°
206483 D35002 AGI4000/AGI4000/12W/93/A50/EM3H	150x150xH139±1mm	AGI4000	830	12W	70	50°
206484 D35002 AGI3000/AGI3000/17W/93/A50/EM3H	150x150xH139±1mm	AGI3000	985	17W	58	50°
206485 D35002 AGI3500/AGI3500/17W/93/A50/EM3H	150x150xH139±1mm	AGI3500	1050	17W	62	50°
206486 D35002 AGI4000/AGI4000/17W/93/A50/EM3H	150x150xH139±1mm	AGI4000	1115	17W	66	50°
206487 D35002 AGI3000/AGI3000/23W/93/A50/EM3H	150x150xH139±1mm	AGI3000	1330	23W	58	50°
206488 D35002 AGI3500/AGI3500/23W/93/A50/EM3H	150x150xH139±1mm	AGI3500	1440	23W	63	50°
206489 D35002 AGI4000/AGI4000/23W/93/A50/EM3H	150x150xH139±1mm	AGI4000	1550	23W	68	50°

Technical specifications can be modified without prior notice. All information is property of Greentek Lighting.
 The presentation picture is for information purposes only. Latest document update: May 15, 2017 12:40 PM. www.greentek.eu