



## Amyas - Suspended

### SUSPENDED DOWNLIGHTS | DALI SERIES

With an elegant and clean design. Easily installed and maintained. Suitable for special color temperatures. With eight different lens angles from 10° to wide 60°.

PI-LED - Combines variable white light and light of the RGB color system in one single light source. It can vary the color temperature between 2700K - 6500K along Planckian curve in the course of a day.

Amyas come in several series, with various add-on and controls:

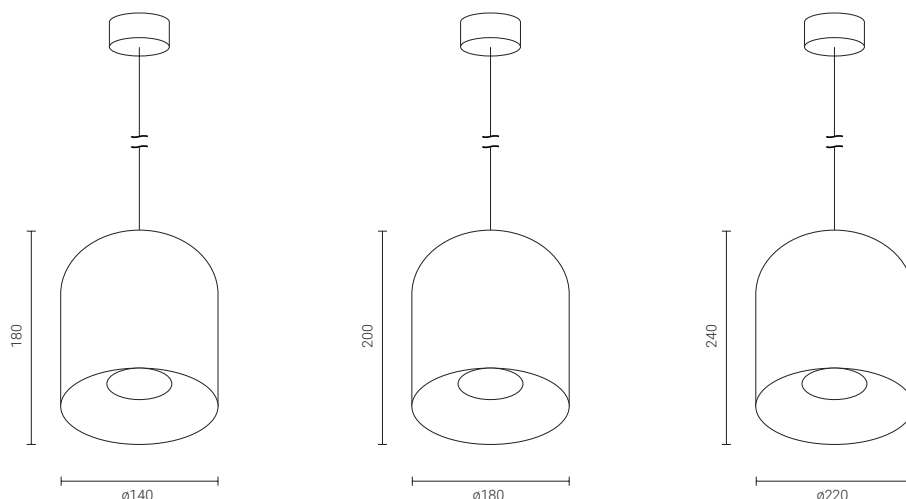
- Amyas - Suspended Non-DALI – the standard for any project in the retail sectors
- Amyas - Suspended DALI – with DALI controls for dimming
- Amyas - Suspended PI-LED - simulates the spectral quality of natural daylight over the entire day.

### APPLICATION

Grocery & Supermarket | Office | Healthcare | Hospitality | DIY

### FEATURES & BENEFITS

- CRI > 80 as standard, up to 98 for certain special color
- 15 color temperatures, including 11 specialized options
- Great variety of optics – 8 angles from narrow beams to flood beams
- Luminaire efficiency: 117lm/W @4000K
- Dimmable



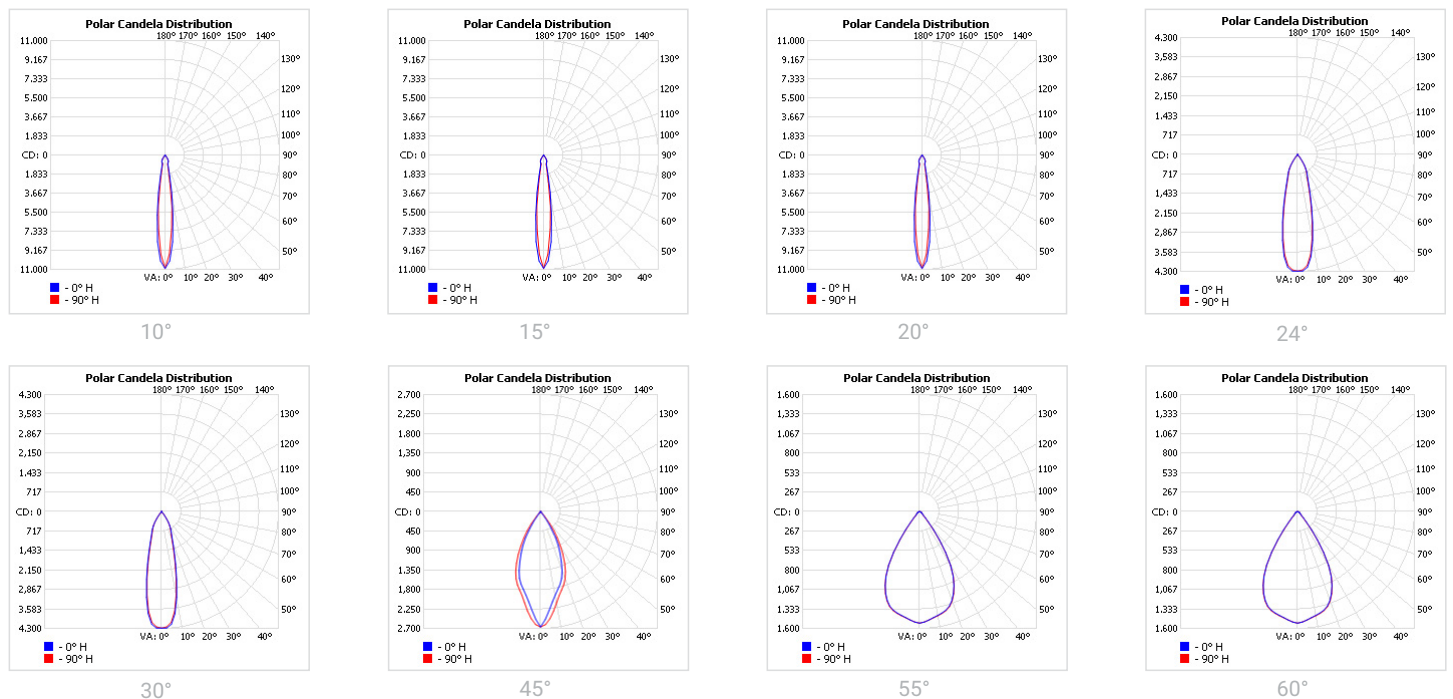
SPECIFICATIONS

Power consumption	12W, 14W, 17W, 20W, 23W, 27W, 29W, 34W, 35W, 42W		
Dimensions	D140xH180mm±1mm	D180xH200mm±1mm	D220xH240mm±1mm
Weight	1.2 - 1.8 Kg	1.8 - 2 Kg	1.9 - 2 Kg
Housing materials	Aluminium, Glass		
IK code	IK02		
THD (at 230V, 50Hz, Full load)	<20%		
Protection class	Safety class 1		
Operating temperature [°C]	-20°C ... +45°C / -4F ... +113F		
Operating humidity [%]	10 ÷ 85		
Power factor	≥0.95		
AC Input [Vac]	220 - 240 VAC		
Lens angle [°]	10°, 15°, 20°, 24°, 30°, 45°, 55°, 60°		
Lifespan [h]	50,000		
Housing color	○ RAL 9003 - Signal White, ● RAL 9005 - Jet Black, ● RAL 9006 - White Aluminium		
Lumen maintenance	L90/B10@50,000h at 25°C		
IP factor (general)	IP20		
Control option	DALI		
Warranty [years]	5		
Storage temperature range [°C]	-20°C ... +55°C / -4F ... +131F		
Emergency option	-		

#	Standard	Food	Fashion	AGI	ART	AMB
CRI	CRI80	CRI80	CRI95	CRI93	CRI98	CRI80
CCT [K]	2700 / 3000 / 3500 / 4000	BVF / FBS / FZM / FSM / FSH	FAS	AGI 3000 / 3500 / 4000	3000	2200
MacAdam	3	3 / 4 / 4 / 3 / 3	3	3	2	3

CRI - Color rendering, CCT - Color temperature, MacAdam - Color consistency

LIGHT DISTRIBUTION



**TOLERANCES****Luminous flux tolerances:** -/+ 5%**Consumption tolerance:** -/+ 5% for Non-DALI | -/+ 10% for Non-DALI & KIT EM | -/+ 10% for DALI | -/+ 15% for DALI & KIT EM**BATTERY WARRANTY****Non-DALI EM & DALI EM:** 12 months warranty**Non-DALI & DALI:** -**MAXIMUM NO. OF LUMINAIRES ON A CIRCUIT**

Luminaire Power(W)	Control type	Circuit Breaker Type					
		B			C		
		20	16	10	20	16	10
8-20W	Non-DALI	62	50	31	104	85	52
23-35W	Non-DALI	24	20	10	47	40	20
42W	Non-DALI	20	16	8	38	32	16
8-20W	DALI	62	50	31	104	85	52
23-27W	DALI	25	21	13	50	42	26
34-42W	DALI	17	14	9	34	28	18

**RISK GROUP**

<b>Standard (CRI80)</b>	RG1
<b>FOOD (BVF, FBS, FSM)</b>	RG1
<b>FOOD ≤35W (FZM, FSH)</b>	RG1
<b>FOOD &gt;35W (FZM, FSH)</b>	RG2
<b>FAS</b>	RG1
<b>AMB2200</b>	RG1
<b>ART</b>	RG1
<b>AGI</b>	RG1
<b>CRI90</b>	RG1
<b>CRI95</b>	RG1
<b>ENT</b>	RG1

**RG1**

The evaluation of photobiological safety is carried out according to the standard IEC 62471:2008 ("Photobiological safety of lamps and lamp systems"). Following the definition of the risk grouping system of the mentioned IEC standard, the LEDs mounted on this family fall into the class "Low Risk (RG1 – No photobiological hazard under normal behavioral limitations)". Under real circumstances (regarding exposure time, pupils, observation distance), it is assumed that there is no endangerment to the eye from these devices. As a matter of principle, however, it should be mentioned that intense light sources have a high secondary exposure potential due to their blinding effect.

**RG2**

The evaluation of photobiological safety is carried out according to the standard IEC 62471:2008 ("Photobiological safety of lamps and lamp systems"). Following the definition of the risk grouping system of the mentioned IEC standard, the LEDs mounted on this family fall into the class "Moderate Risk (RG2)". Under real circumstances (regarding exposure time, pupils, observation distance), it is assumed that there is no endangerment to the eye from these devices. As a matter of principle, however, it should be mentioned that intense light sources have a high secondary exposure potential due to their blinding effect.

## SKU SPECIFICATIONS

Product Code	Dimensions (mm)	CCT (K)	Lumens (lm)	Power (W)	Eff. (lm/watt)	Lens Angle (°)
<b>CRI 80</b>						
271000 Amyas C31400/2700/14W/80/A10	D140 x H180 ±1mm	2700	1485	14W	107	10°
271001 Amyas C31400/3000/14W/80/A10	D140 x H180 ±1mm	3000	1500	14W	108	10°
271002 Amyas C31400/3500/14W/80/A10	D140 x H180 ±1mm	3500	1540	14W	110	10°
271003 Amyas C31400/4000/14W/80/A10	D140 x H180 ±1mm	4000	1570	14W	113	10°
271005 Amyas C31400/2700/14W/80/A24	D140 x H180 ±1mm	2700	1485	14W	107	24°
271006 Amyas C31400/3000/14W/80/A24	D140 x H180 ±1mm	3000	1500	14W	108	24°
271007 Amyas C31400/3500/14W/80/A24	D140 x H180 ±1mm	3500	1540	14W	110	24°
271008 Amyas C31400/4000/14W/80/A24	D140 x H180 ±1mm	4000	1570	14W	113	24°
271010 Amyas C31400/2700/14W/80/A55	D140 x H180 ±1mm	2700	1485	14W	107	55°
271011 Amyas C31400/3000/14W/80/A55	D140 x H180 ±1mm	3000	1500	14W	108	55°
271012 Amyas C31400/3500/14W/80/A55	D140 x H180 ±1mm	3500	1540	14W	110	55°
271013 Amyas C31400/4000/14W/80/A55	D140 x H180 ±1mm	4000	1570	14W	113	55°
271015 Amyas C31400/2700/20W/80/A10	D140 x H180 ±1mm	2700	2080	20W	104	10°
271016 Amyas C31400/3000/20W/80/A10	D140 x H180 ±1mm	3000	2100	20W	105	10°
271017 Amyas C31400/3500/20W/80/A10	D140 x H180 ±1mm	3500	2160	20W	108	10°
271018 Amyas C31400/4000/20W/80/A10	D140 x H180 ±1mm	4000	2200	20W	110	10°
271020 Amyas C31400/2700/20W/80/A24	D140 x H180 ±1mm	2700	2080	20W	104	24°
271021 Amyas C31400/3000/20W/80/A24	D140 x H180 ±1mm	3000	2100	20W	105	24°
271022 Amyas C31400/3500/20W/80/A24	D140 x H180 ±1mm	3500	2160	20W	108	24°
271023 Amyas C31400/4000/20W/80/A24	D140 x H180 ±1mm	4000	2200	20W	110	24°
271025 Amyas C31400/2700/20W/80/A55	D140 x H180 ±1mm	2700	2080	20W	104	55°
271026 Amyas C31400/3000/20W/80/A55	D140 x H180 ±1mm	3000	2100	20W	105	55°
271027 Amyas C31400/3500/20W/80/A55	D140 x H180 ±1mm	3500	2160	20W	108	55°
271028 Amyas C31400/4000/20W/80/A55	D140 x H180 ±1mm	4000	2200	20W	110	55°
271030 Amyas C31800/2700/14W/80/A20	D180 x H200 ±1mm	2700	1485	14W	107	20°
271031 Amyas C31800/3000/14W/80/A20	D180 x H200 ±1mm	3000	1500	14W	108	20°
271032 Amyas C31800/3500/14W/80/A20	D180 x H200 ±1mm	3500	1540	14W	110	20°
271033 Amyas C31800/4000/14W/80/A20	D180 x H200 ±1mm	4000	1570	14W	113	20°
271035 Amyas C31800/2700/14W/80/A30	D180 x H200 ±1mm	2700	1485	14W	107	30°
271036 Amyas C31800/3000/14W/80/A30	D180 x H200 ±1mm	3000	1500	14W	108	30°
271037 Amyas C31800/3500/14W/80/A30	D180 x H200 ±1mm	3500	1540	14W	110	30°
271038 Amyas C31800/4000/14W/80/A30	D180 x H200 ±1mm	4000	1570	14W	113	30°
271040 Amyas C31800/2700/14W/80/A45	D180 x H200 ±1mm	2700	1485	14W	107	45°
271041 Amyas C31800/3000/14W/80/A45	D180 x H200 ±1mm	3000	1500	14W	108	45°
271042 Amyas C31800/3500/14W/80/A45	D180 x H200 ±1mm	3500	1540	14W	110	45°
271043 Amyas C31800/4000/14W/80/A45	D180 x H200 ±1mm	4000	1570	14W	113	45°
271045 Amyas C31800/2700/14W/80/A55	D180 x H200 ±1mm	2700	1485	14W	107	55°
271046 Amyas C31800/3000/14W/80/A55	D180 x H200 ±1mm	3000	1500	14W	108	55°
271047 Amyas C31800/3500/14W/80/A55	D180 x H200 ±1mm	3500	1540	14W	110	55°
271048 Amyas C31800/4000/14W/80/A55	D180 x H200 ±1mm	4000	1570	14W	113	55°
271050 Amyas C31800/2700/20W/80/A20	D180 x H200 ±1mm	2700	2080	20W	104	20°
271051 Amyas C31800/3000/20W/80/A20	D180 x H200 ±1mm	3000	2100	20W	105	20°
271052 Amyas C31800/3500/20W/80/A20	D180 x H200 ±1mm	3500	2160	20W	108	20°
271053 Amyas C31800/4000/20W/80/A20	D180 x H200 ±1mm	4000	2200	20W	110	20°
271055 Amyas C31800/2700/20W/80/A30	D180 x H200 ±1mm	2700	2080	20W	104	30°
271056 Amyas C31800/3000/20W/80/A30	D180 x H200 ±1mm	3000	2100	20W	105	30°
271057 Amyas C31800/3500/20W/80/A30	D180 x H200 ±1mm	3500	2160	20W	108	30°
271058 Amyas C31800/4000/20W/80/A30	D180 x H200 ±1mm	4000	2200	20W	110	30°
271060 Amyas C31800/2700/20W/80/A45	D180 x H200 ±1mm	2700	2080	20W	104	45°
271061 Amyas C31800/3000/20W/80/A45	D180 x H200 ±1mm	3000	2100	20W	105	45°

## SKU SPECIFICATIONS

Product Code	Dimensions (mm)	CCT (K)	Lumens (lm)	Power (W)	Eff. (lm/watt)	Lens Angle (°)
<b>CRI 80</b>						
271062 Amyas C31800/3500/20W/80/A45	D180 x H200 ±1mm	3500	2160	20W	108	45°
271063 Amyas C31800/4000/20W/80/A45	D180 x H200 ±1mm	4000	2200	20W	110	45°
271065 Amyas C31800/2700/20W/80/A55	D180 x H200 ±1mm	2700	2080	20W	104	55°
271066 Amyas C31800/3000/20W/80/A55	D180 x H200 ±1mm	3000	2100	20W	105	55°
271067 Amyas C31800/3500/20W/80/A55	D180 x H200 ±1mm	3500	2160	20W	108	55°
271068 Amyas C31800/4000/20W/80/A55	D180 x H200 ±1mm	4000	2200	20W	110	55°
271070 Amyas C31800/2700/27W/80/A20	D180 x H200 ±1mm	2700	2945	27W	110	20°
271071 Amyas C31800/3000/27W/80/A20	D180 x H200 ±1mm	3000	2970	27W	110	20°
271072 Amyas C31800/3500/27W/80/A20	D180 x H200 ±1mm	3500	3055	27W	114	20°
271073 Amyas C31800/4000/27W/80/A20	D180 x H200 ±1mm	4000	3135	27W	117	20°
271075 Amyas C31800/2700/27W/80/A30	D180 x H200 ±1mm	2700	2945	27W	110	30°
271076 Amyas C31800/3000/27W/80/A30	D180 x H200 ±1mm	3000	2970	27W	110	30°
271077 Amyas C31800/3500/27W/80/A30	D180 x H200 ±1mm	3500	3055	27W	114	30°
271078 Amyas C31800/4000/27W/80/A30	D180 x H200 ±1mm	4000	3135	27W	117	30°
271080 Amyas C31800/2700/27W/80/A45	D180 x H200 ±1mm	2700	2945	27W	110	45°
271081 Amyas C31800/3000/27W/80/A45	D180 x H200 ±1mm	3000	2970	27W	110	45°
271082 Amyas C31800/3500/27W/80/A45	D180 x H200 ±1mm	3500	3055	27W	114	45°
271083 Amyas C31800/4000/27W/80/A45	D180 x H200 ±1mm	4000	3135	27W	117	45°
271085 Amyas C31800/2700/27W/80/A55	D180 x H200 ±1mm	2700	2945	27W	110	55°
271086 Amyas C31800/3000/27W/80/A55	D180 x H200 ±1mm	3000	2970	27W	110	55°
271087 Amyas C31800/3500/27W/80/A55	D180 x H200 ±1mm	3500	3055	27W	114	55°
271088 Amyas C31800/4000/27W/80/A55	D180 x H200 ±1mm	4000	3135	27W	117	55°
271090 Amyas C32200/2700/14W/80/A15	D220 x H240 ±1mm	2700	1485	14W	107	15°
271091 Amyas C32200/3000/14W/80/A15	D220 x H240 ±1mm	3000	1500	14W	108	15°
271092 Amyas C32200/3500/14W/80/A15	D220 x H240 ±1mm	3500	1540	14W	110	15°
271093 Amyas C32200/4000/14W/80/A15	D220 x H240 ±1mm	4000	1570	14W	113	15°
271095 Amyas C32200/2700/14W/80/A30	D220 x H240 ±1mm	2700	1485	14W	107	30°
271096 Amyas C32200/3000/14W/80/A30	D220 x H240 ±1mm	3000	1500	14W	108	30°
271097 Amyas C32200/3500/14W/80/A30	D220 x H240 ±1mm	3500	1540	14W	110	30°
271098 Amyas C32200/4000/14W/80/A30	D220 x H240 ±1mm	4000	1570	14W	113	30°
271100 Amyas C32200/2700/14W/80/A45	D220 x H240 ±1mm	2700	1485	14W	107	45°
271101 Amyas C32200/3000/14W/80/A45	D220 x H240 ±1mm	3000	1500	14W	108	45°
271102 Amyas C32200/3500/14W/80/A45	D220 x H240 ±1mm	3500	1540	14W	110	45°
271103 Amyas C32200/4000/14W/80/A45	D220 x H240 ±1mm	4000	1570	14W	113	45°
271105 Amyas C32200/2700/14W/80/A60	D220 x H240 ±1mm	2700	1485	14W	107	60°
271106 Amyas C32200/3000/14W/80/A60	D220 x H240 ±1mm	3000	1500	14W	108	60°
271107 Amyas C32200/3500/14W/80/A60	D220 x H240 ±1mm	3500	1540	14W	110	60°
271108 Amyas C32200/4000/14W/80/A60	D220 x H240 ±1mm	4000	1570	14W	113	60°
271110 Amyas C32200/2700/20W/80/A15	D220 x H240 ±1mm	2700	2080	20W	104	15°
271111 Amyas C32200/3000/20W/80/A15	D220 x H240 ±1mm	3000	2100	20W	105	15°
271112 Amyas C32200/3500/20W/80/A15	D220 x H240 ±1mm	3500	2160	20W	108	15°
271113 Amyas C32200/4000/20W/80/A15	D220 x H240 ±1mm	4000	2200	20W	110	15°
271115 Amyas C32200/2700/20W/80/A30	D220 x H240 ±1mm	2700	2080	20W	104	30°
271116 Amyas C32200/3000/20W/80/A30	D220 x H240 ±1mm	3000	2100	20W	105	30°
271117 Amyas C32200/3500/20W/80/A30	D220 x H240 ±1mm	3500	2160	20W	108	30°
271118 Amyas C32200/4000/20W/80/A30	D220 x H240 ±1mm	4000	2200	20W	110	30°
271120 Amyas C32200/2700/20W/80/A45	D220 x H240 ±1mm	2700	2080	20W	104	45°
271121 Amyas C32200/3000/20W/80/A45	D220 x H240 ±1mm	3000	2100	20W	105	45°
271122 Amyas C32200/3500/20W/80/A45	D220 x H240 ±1mm	3500	2160	20W	108	45°
271123 Amyas C32200/4000/20W/80/A45	D220 x H240 ±1mm	4000	2200	20W	110	45°

## SKU SPECIFICATIONS

Product Code	Dimensions (mm)	CCT (K)	Lumens (lm)	Power (W)	Eff. (lm/watt)	Lens Angle (°)
<b>CRI 80</b>						
271125 Amyas C32200/2700/20W/80/A60	D220 x H240 ±1mm	2700	2080	20W	104	60°
271126 Amyas C32200/3000/20W/80/A60	D220 x H240 ±1mm	3000	2100	20W	105	60°
271127 Amyas C32200/3500/20W/80/A60	D220 x H240 ±1mm	3500	2160	20W	108	60°
271128 Amyas C32200/4000/20W/80/A60	D220 x H240 ±1mm	4000	2200	20W	110	60°
271130 Amyas C32200/2700/27W/80/A15	D220 x H240 ±1mm	2700	2945	27W	110	15°
271131 Amyas C32200/3000/27W/80/A15	D220 x H240 ±1mm	3000	2970	27W	110	15°
271132 Amyas C32200/3500/27W/80/A15	D220 x H240 ±1mm	3500	3055	27W	114	15°
271133 Amyas C32200/4000/27W/80/A15	D220 x H240 ±1mm	4000	3135	27W	117	15°
271135 Amyas C32200/2700/27W/80/A30	D220 x H240 ±1mm	2700	2945	27W	110	30°
271136 Amyas C32200/3000/27W/80/A30	D220 x H240 ±1mm	3000	2970	27W	110	30°
271137 Amyas C32200/3500/27W/80/A30	D220 x H240 ±1mm	3500	3055	27W	114	30°
271138 Amyas C32200/4000/27W/80/A30	D220 x H240 ±1mm	4000	3135	27W	117	30°
271140 Amyas C32200/2700/27W/80/A45	D220 x H240 ±1mm	2700	2945	27W	110	45°
271141 Amyas C32200/3000/27W/80/A45	D220 x H240 ±1mm	3000	2970	27W	110	45°
271142 Amyas C32200/3500/27W/80/A45	D220 x H240 ±1mm	3500	3055	27W	114	45°
271143 Amyas C32200/4000/27W/80/A45	D220 x H240 ±1mm	4000	3135	27W	117	45°
271145 Amyas C32200/2700/27W/80/A60	D220 x H240 ±1mm	2700	2945	27W	110	60°
271146 Amyas C32200/3000/27W/80/A60	D220 x H240 ±1mm	3000	2970	27W	110	60°
271147 Amyas C32200/3500/27W/80/A60	D220 x H240 ±1mm	3500	3055	27W	114	60°
271148 Amyas C32200/4000/27W/80/A60	D220 x H240 ±1mm	4000	3135	27W	117	60°
271150 Amyas C32200/2700/35W/80/A15	D220 x H240 ±1mm	2700	3710	35W	106	15°
271151 Amyas C32200/3000/35W/80/A15	D220 x H240 ±1mm	3000	3745	35W	107	15°
271152 Amyas C32200/3500/35W/80/A15	D220 x H240 ±1mm	3500	3815	35W	109	15°
271153 Amyas C32200/4000/35W/80/A15	D220 x H240 ±1mm	4000	3920	35W	112	15°
271155 Amyas C32200/2700/35W/80/A30	D220 x H240 ±1mm	2700	3710	35W	106	30°
271156 Amyas C32200/3000/35W/80/A30	D220 x H240 ±1mm	3000	3745	35W	107	30°
271157 Amyas C32200/3500/35W/80/A30	D220 x H240 ±1mm	3500	3815	35W	109	30°
271158 Amyas C32200/4000/35W/80/A30	D220 x H240 ±1mm	4000	3920	35W	112	30°
271160 Amyas C32200/2700/35W/80/A45	D220 x H240 ±1mm	2700	3710	35W	106	45°
271161 Amyas C32200/3000/35W/80/A45	D220 x H240 ±1mm	3000	3745	35W	107	45°
271162 Amyas C32200/3500/35W/80/A45	D220 x H240 ±1mm	3500	3815	35W	109	45°
271163 Amyas C32200/4000/35W/80/A45	D220 x H240 ±1mm	4000	3920	35W	112	45°
271165 Amyas C32200/2700/35W/80/A60	D220 x H240 ±1mm	2700	3710	35W	106	60°
271166 Amyas C32200/3000/35W/80/A60	D220 x H240 ±1mm	3000	3745	35W	107	60°
271167 Amyas C32200/3500/35W/80/A60	D220 x H240 ±1mm	3500	3815	35W	109	60°
271168 Amyas C32200/4000/35W/80/A60	D220 x H240 ±1mm	4000	3920	35W	112	60°
271170 Amyas C32200/2700/42W/80/A15	D220 x H240 ±1mm	2700	4200	42W	100	15°
271171 Amyas C32200/3000/42W/80/A15	D220 x H240 ±1mm	3000	4200	42W	100	15°
271172 Amyas C32200/3500/42W/80/A15	D220 x H240 ±1mm	3500	4330	42W	103	15°
271173 Amyas C32200/4000/42W/80/A15	D220 x H240 ±1mm	4000	4455	42W	106	15°
271175 Amyas C32200/2700/42W/80/A30	D220 x H240 ±1mm	2700	4200	42W	100	30°
271176 Amyas C32200/3000/42W/80/A30	D220 x H240 ±1mm	3000	4200	42W	100	30°
271177 Amyas C32200/3500/42W/80/A30	D220 x H240 ±1mm	3500	4330	42W	103	30°
271178 Amyas C32200/4000/42W/80/A30	D220 x H240 ±1mm	4000	4455	42W	106	30°
271180 Amyas C32200/2700/42W/80/A45	D220 x H240 ±1mm	2700	4200	42W	100	45°
271181 Amyas C32200/3000/42W/80/A45	D220 x H240 ±1mm	3000	4200	42W	100	45°
271182 Amyas C32200/3500/42W/80/A45	D220 x H240 ±1mm	3500	4330	42W	103	45°
271183 Amyas C32200/4000/42W/80/A45	D220 x H240 ±1mm	4000	4455	42W	106	45°
271185 Amyas C32200/2700/42W/80/A60	D220 x H240 ±1mm	2700	4200	42W	100	60°
271186 Amyas C32200/3000/42W/80/A60	D220 x H240 ±1mm	3000	4200	42W	100	60°

## SKU SPECIFICATIONS

Product Code	Dimensions (mm)	CCT (K)	Lumens (lm)	Power (W)	Eff. (lm/watt)	Lens Angle (°)
<b>CRI 80</b>						
271187 Amyas C32200/3500/42W/80/A60	D220 x H240 ±1mm	3500	4330	42W	103	60°
271188 Amyas C32200/4000/42W/80/A60	D220 x H240 ±1mm	4000	4455	42W	106	60°
271218 Amyas C31800/BVF/27W/80/A20	D180 x H200 ±1mm	BVF	2065	27W	77	20°
271219 Amyas C31800/FBS/27W/80/A20	D180 x H200 ±1mm	FBS	1635	27W	61	20°
271220 Amyas C31800/FZM/27W/80/A20	D180 x H200 ±1mm	FZM	1530	27W	57	20°
271221 Amyas C31800/FSM/27W/80/A20	D180 x H200 ±1mm	FSM	1530	27W	57	20°
271339 Amyas C31800/FSH/27W/80/A20	D180 x H200 ±1mm	FSH	2250	27W	84	20°
271222 Amyas C31800/BVF/27W/80/A30	D180 x H200 ±1mm	BVF	2065	27W	77	30°
271223 Amyas C31800/FBS/27W/80/A30	D180 x H200 ±1mm	FBS	1635	27W	61	30°
271224 Amyas C31800/FZM/27W/80/A30	D180 x H200 ±1mm	FZM	1530	27W	57	30°
271225 Amyas C31800/FSM/27W/80/A30	D180 x H200 ±1mm	FSM	1530	27W	57	30°
271340 Amyas C31800/FSH/27W/80/A30	D180 x H200 ±1mm	FSH	2250	27W	84	30°
271226 Amyas C31800/BVF/27W/80/A45	D180 x H200 ±1mm	BVF	2065	27W	77	45°
271227 Amyas C31800/FBS/27W/80/A45	D180 x H200 ±1mm	FBS	1635	27W	61	45°
271228 Amyas C31800/FZM/27W/80/A45	D180 x H200 ±1mm	FZM	1530	27W	57	45°
271229 Amyas C31800/FSM/27W/80/A45	D180 x H200 ±1mm	FSM	1530	27W	57	45°
271341 Amyas C31800/FSH/27W/80/A45	D180 x H200 ±1mm	FSH	2250	27W	84	45°
271250 Amyas C32200/BVF/27W/80/A15	D220 x H240 ±1mm	BVF	2065	27W	77	15°
271251 Amyas C32200/FBS/27W/80/A15	D220 x H240 ±1mm	FBS	1635	27W	61	15°
271252 Amyas C32200/FZM/27W/80/A15	D220 x H240 ±1mm	FZM	1530	27W	57	15°
271253 Amyas C32200/FSM/27W/80/A15	D220 x H240 ±1mm	FSM	1530	27W	57	15°
271343 Amyas C32200/FSH/27W/80/A15	D220 x H240 ±1mm	FSH	2250	27W	84	15°
271254 Amyas C32200/BVF/27W/80/A30	D220 x H240 ±1mm	BVF	2065	27W	77	30°
271255 Amyas C32200/FBS/27W/80/A30	D220 x H240 ±1mm	FBS	1635	27W	61	30°
271256 Amyas C32200/FZM/27W/80/A30	D220 x H240 ±1mm	FZM	1530	27W	57	30°
271257 Amyas C32200/FSM/27W/80/A30	D220 x H240 ±1mm	FSM	1530	27W	57	30°
271344 Amyas C32200/FSH/27W/80/A30	D220 x H240 ±1mm	FSH	2250	27W	84	30°
271258 Amyas C32200/BVF/27W/80/A45	D220 x H240 ±1mm	BVF	2065	27W	77	45°
271259 Amyas C32200/FBS/27W/80/A45	D220 x H240 ±1mm	FBS	1635	27W	61	45°
271260 Amyas C32200/FZM/27W/80/A45	D220 x H240 ±1mm	FZM	1530	27W	57	45°
271261 Amyas C32200/FSM/27W/80/A45	D220 x H240 ±1mm	FSM	1530	27W	57	45°
271345 Amyas C32200/FSH/27W/80/A45	D220 x H240 ±1mm	FSH	2250	27W	84	45°
271262 Amyas C32200/BVF/27W/80/A60	D220 x H240 ±1mm	BVF	2065	27W	77	60°
271263 Amyas C32200/FBS/27W/80/A60	D220 x H240 ±1mm	FBS	1635	27W	61	60°
271264 Amyas C32200/FZM/27W/80/A60	D220 x H240 ±1mm	FZM	1530	27W	57	60°
271265 Amyas C32200/FSM/27W/80/A60	D220 x H240 ±1mm	FSM	1530	27W	57	60°
271346 Amyas C32200/FSH/27W/80/A60	D220 x H240 ±1mm	FSH	2250	27W	84	60°
271266 Amyas C32200/BVF/35W/80/A15	D220 x H240 ±1mm	BVF	2590	35W	74	15°
271267 Amyas C32200/FBS/35W/80/A15	D220 x H240 ±1mm	FBS	2115	35W	61	15°
271268 Amyas C32200/FZM/35W/80/A15	D220 x H240 ±1mm	FZM	1980	35W	57	15°
271269 Amyas C32200/FSM/35W/80/A15	D220 x H240 ±1mm	FSM	1980	35W	57	15°
271347 Amyas C32200/FSH/35W/80/A15	D220 x H240 ±1mm	FSH	2755	35W	79	15°
271270 Amyas C32200/BVF/35W/80/A30	D220 x H240 ±1mm	BVF	2590	35W	74	30°
271271 Amyas C32200/FBS/35W/80/A30	D220 x H240 ±1mm	FBS	2115	35W	61	30°
271272 Amyas C32200/FZM/35W/80/A30	D220 x H240 ±1mm	FZM	1980	35W	57	30°
271273 Amyas C32200/FSM/35W/80/A30	D220 x H240 ±1mm	FSM	1980	35W	57	30°
271348 Amyas C32200/FSH/35W/80/A30	D220 x H240 ±1mm	FSH	2755	35W	79	30°
271274 Amyas C32200/BVF/35W/80/A45	D220 x H240 ±1mm	BVF	2590	35W	74	45°
271275 Amyas C32200/FBS/35W/80/A45	D220 x H240 ±1mm	FBS	2115	35W	61	45°
271276 Amyas C32200/FZM/35W/80/A45	D220 x H240 ±1mm	FZM	1980	35W	57	45°

## SKU SPECIFICATIONS

Product Code	Dimensions (mm)	CCT (K)	Lumens (lm)	Power (W)	Eff. (lm/watt)	Lens Angle (°)
<b>CRI 80</b>						
271277 Amyas C32200/FSM/35W/80/A45	D220 x H240 ±1mm	FSM	1980	35W	57	45°
271349 Amyas C32200/FSH/35W/80/A45	D220 x H240 ±1mm	FSH	2755	35W	79	45°
271278 Amyas C32200/BVF/35W/80/A60	D220 x H240 ±1mm	BVF	2590	35W	74	60°
271279 Amyas C32200/FBS/35W/80/A60	D220 x H240 ±1mm	FBS	2115	35W	61	60°
271280 Amyas C32200/FZM/35W/80/A60	D220 x H240 ±1mm	FZM	1980	35W	57	60°
271281 Amyas C32200/FSM/35W/80/A60	D220 x H240 ±1mm	FSM	1980	35W	57	60°
271350 Amyas C32200/FSH/35W/80/A60	D220 x H240 ±1mm	FSH	2755	35W	79	60°
271282 Amyas C32200/BVF/42W/80/A15	D220 x H240 ±1mm	BVF	2870	42W	69	15°
271283 Amyas C32200/FBS/42W/80/A15	D220 x H240 ±1mm	FBS	2450	42W	59	15°
271284 Amyas C32200/FZM/42W/80/A15	D220 x H240 ±1mm	FZM	2325	42W	56	15°
271285 Amyas C32200/FSM/42W/80/A15	D220 x H240 ±1mm	FSM	2325	42W	56	15°
271351 Amyas C32200/FSH/42W/80/A15	D220 x H240 ±1mm	FSH	3155	42W	76	15°
271286 Amyas C32200/BVF/42W/80/A30	D220 x H240 ±1mm	BVF	2870	42W	69	30°
271287 Amyas C32200/FBS/42W/80/A30	D220 x H240 ±1mm	FBS	2450	42W	59	30°
271288 Amyas C32200/FZM/42W/80/A30	D220 x H240 ±1mm	FZM	2325	42W	56	30°
271289 Amyas C32200/FSM/42W/80/A30	D220 x H240 ±1mm	FSM	2325	42W	56	30°
271352 Amyas C32200/FSH/42W/80/A30	D220 x H240 ±1mm	FSH	3155	42W	76	30°
271290 Amyas C32200/BVF/42W/80/A45	D220 x H240 ±1mm	BVF	2870	42W	69	45°
271291 Amyas C32200/FBS/42W/80/A45	D220 x H240 ±1mm	FBS	2450	42W	59	45°
271292 Amyas C32200/FZM/42W/80/A45	D220 x H240 ±1mm	FZM	2325	42W	56	45°
271293 Amyas C32200/FSM/42W/80/A45	D220 x H240 ±1mm	FSM	2325	42W	56	45°
271353 Amyas C32200/FSH/42W/80/A45	D220 x H240 ±1mm	FSH	3155	42W	76	45°
271294 Amyas C32200/BVF/42W/80/A60	D220 x H240 ±1mm	BVF	2870	42W	69	60°
271295 Amyas C32200/FBS/42W/80/A60	D220 x H240 ±1mm	FBS	2450	42W	59	60°
271296 Amyas C32200/FZM/42W/80/A60	D220 x H240 ±1mm	FZM	2325	42W	56	60°
271297 Amyas C32200/FSM/42W/80/A60	D220 x H240 ±1mm	FSM	2325	42W	56	60°
271354 Amyas C32200/FSH/42W/80/A60	D220 x H240 ±1mm	FSH	3155	42W	76	60°
271517 Amyas C31400/BVF/20W/80/A10	D140 x H180 ±1mm	BVF	1540	20W	77	10°
271518 Amyas C31400/FBS/20W/80/A10	D140 x H180 ±1mm	FBS	1220	20W	61	10°
271519 Amyas C31400/FZM/20W/80/A10	D140 x H180 ±1mm	FZM	1140	20W	57	10°
271520 Amyas C31400/FSM/20W/80/A10	D140 x H180 ±1mm	FSM	1140	20W	57	10°
271521 Amyas C31400/FSH/20W/80/A10	D140 x H180 ±1mm	FSH	1680	20W	84	10°
271522 Amyas C31400/BVF/20W/80/A24	D140 x H180 ±1mm	BVF	1540	20W	77	24°
271523 Amyas C31400/FBS/20W/80/A24	D140 x H180 ±1mm	FBS	1220	20W	61	24°
271524 Amyas C31400/FZM/20W/80/A24	D140 x H180 ±1mm	FZM	1140	20W	57	24°
271525 Amyas C31400/FSM/20W/80/A24	D140 x H180 ±1mm	FSM	1140	20W	57	24°
271526 Amyas C31400/FSH/20W/80/A24	D140 x H180 ±1mm	FSH	1680	20W	84	24°
271593 Amyas C31400/BVF/20W/80/A55	D140 x H180 ±1mm	BVF	1540	20W	77	55°
271594 Amyas C31400/FBS/20W/80/A55	D140 x H180 ±1mm	FBS	1220	20W	61	55°
271595 Amyas C31400/FZM/20W/80/A55	D140 x H180 ±1mm	FZM	1140	20W	57	55°
271596 Amyas C31400/FSM/20W/80/A55	D140 x H180 ±1mm	FSM	1140	20W	57	55°
271597 Amyas C31400/FSH/20W/80/A55	D140 x H180 ±1mm	FSH	1680	20W	84	55°
271598 Amyas C31400/AMB2200/14W/80/A10	D140 x H180 ±1mm	AMB2200	1020	14W	73	10°
271599 Amyas C31400/AMB2200/14W/80/A24	D140 x H180 ±1mm	AMB2200	1020	14W	73	24°
271600 Amyas C31400/AMB2200/14W/80/A55	D140 x H180 ±1mm	AMB2200	1020	14W	73	55°
271601 Amyas C31400/AMB2200/20W/80/A10	D140 x H180 ±1mm	AMB2200	1410	20W	71	10°
271602 Amyas C31400/AMB2200/20W/80/A24	D140 x H180 ±1mm	AMB2200	1410	20W	71	24°
271603 Amyas C31400/AMB2200/20W/80/A55	D140 x H180 ±1mm	AMB2200	1410	20W	71	55°
271604 Amyas C31800/AMB2200/14W/80/A20	D180 x H200 ±1mm	AMB2200	1020	14W	73	20°
271605 Amyas C31800/AMB2200/14W/80/A30	D180 x H200 ±1mm	AMB2200	1020	14W	73	30°



## SKU SPECIFICATIONS

Product Code	Dimensions (mm)	CCT (K)	Lumens (lm)	Power (W)	Eff. (lm/watt)	Lens Angle (°)
<b>CRI 80</b>						
271606 Amyas C31800/AMB2200/14W/80/A45	D180 x H200 ±1mm	AMB2200	1020	14W	73	45°
271607 Amyas C31800/AMB2200/14W/80/A55	D180 x H200 ±1mm	AMB2200	1020	14W	73	55°
271608 Amyas C31800/AMB2200/20W/80/A20	D180 x H200 ±1mm	AMB2200	1410	20W	71	20°
271609 Amyas C31800/AMB2200/20W/80/A30	D180 x H200 ±1mm	AMB2200	1410	20W	71	30°
271610 Amyas C31800/AMB2200/20W/80/A45	D180 x H200 ±1mm	AMB2200	1410	20W	71	45°
271611 Amyas C31800/AMB2200/20W/80/A55	D180 x H200 ±1mm	AMB2200	1410	20W	71	55°
271612 Amyas C31800/AMB2200/27W/80/A20	D180 x H200 ±1mm	AMB2200	1870	27W	70	20°
271613 Amyas C31800/AMB2200/27W/80/A30	D180 x H200 ±1mm	AMB2200	1870	27W	70	30°
271614 Amyas C31800/AMB2200/27W/80/A45	D180 x H200 ±1mm	AMB2200	1870	27W	70	45°
271615 Amyas C31800/AMB2200/27W/80/A55	D180 x H200 ±1mm	AMB2200	1870	27W	70	55°
271616 Amyas C32200/AMB2200/14W/80/A15	D220 x H240 ±1mm	AMB2200	1020	14W	73	15°
271617 Amyas C32200/AMB2200/14W/80/A30	D220 x H240 ±1mm	AMB2200	1020	14W	73	30°
271618 Amyas C32200/AMB2200/14W/80/A45	D220 x H240 ±1mm	AMB2200	1020	14W	73	45°
271619 Amyas C32200/AMB2200/14W/80/A60	D220 x H240 ±1mm	AMB2200	1020	14W	73	60°
271620 Amyas C32200/AMB2200/20W/80/A15	D220 x H240 ±1mm	AMB2200	1410	20W	71	15°
271621 Amyas C32200/AMB2200/20W/80/A30	D220 x H240 ±1mm	AMB2200	1410	20W	71	30°
271622 Amyas C32200/AMB2200/20W/80/A45	D220 x H240 ±1mm	AMB2200	1410	20W	71	45°
271623 Amyas C32200/AMB2200/20W/80/A60	D220 x H240 ±1mm	AMB2200	1410	20W	71	60°
271624 Amyas C32200/AMB2200/27W/80/A15	D220 x H240 ±1mm	AMB2200	1870	27W	70	15°
271625 Amyas C32200/AMB2200/27W/80/A30	D220 x H240 ±1mm	AMB2200	1870	27W	70	30°
271626 Amyas C32200/AMB2200/27W/80/A45	D220 x H240 ±1mm	AMB2200	1870	27W	70	45°
271627 Amyas C32200/AMB2200/27W/80/A60	D220 x H240 ±1mm	AMB2200	1870	27W	70	60°
271628 Amyas C32200/AMB2200/35W/80/A15	D220 x H240 ±1mm	AMB2200	2585	35W	74	15°
271629 Amyas C32200/AMB2200/35W/80/A30	D220 x H240 ±1mm	AMB2200	2585	35W	74	30°
271630 Amyas C32200/AMB2200/35W/80/A45	D220 x H240 ±1mm	AMB2200	2585	35W	74	45°
271631 Amyas C32200/AMB2200/35W/80/A60	D220 x H240 ±1mm	AMB2200	2585	35W	74	60°
271632 Amyas C32200/AMB2200/42W/80/A15	D220 x H240 ±1mm	AMB2200	2930	42W	70	15°
271633 Amyas C32200/AMB2200/42W/80/A30	D220 x H240 ±1mm	AMB2200	2930	42W	70	30°
271634 Amyas C32200/AMB2200/42W/80/A45	D220 x H240 ±1mm	AMB2200	2930	42W	70	45°
271635 Amyas C32200/AMB2200/42W/80/A60	D220 x H240 ±1mm	AMB2200	2930	42W	70	60°
<b>CRI 93</b>						
271403 Amyas C31400/AGI3000/12W/93/A10	D140 x H180 ±1mm	AGI3000	735	12W	62	10°
271404 Amyas C31400/AGI3500/12W/93/A10	D140 x H180 ±1mm	AGI3500	780	12W	65	10°
271405 Amyas C31400/AGI4000/12W/93/A10	D140 x H180 ±1mm	AGI4000	830	12W	70	10°
271406 Amyas C31400/AGI3000/12W/93/A24	D140 x H180 ±1mm	AGI3000	735	12W	62	24°
271407 Amyas C31400/AGI3500/12W/93/A24	D140 x H180 ±1mm	AGI3500	780	12W	65	24°
271408 Amyas C31400/AGI4000/12W/93/A24	D140 x H180 ±1mm	AGI4000	830	12W	70	24°
271409 Amyas C31400/AGI3000/12W/93/A55	D140 x H180 ±1mm	AGI3000	735	12W	62	55°
271410 Amyas C31400/AGI3500/12W/93/A55	D140 x H180 ±1mm	AGI3500	780	12W	65	55°
271411 Amyas C31400/AGI4000/12W/93/A55	D140 x H180 ±1mm	AGI4000	830	12W	70	55°
271412 Amyas C31400/AGI3000/17W/93/A10	D140 x H180 ±1mm	AGI3000	985	17W	58	10°
271413 Amyas C31400/AGI3500/17W/93/A10	D140 x H180 ±1mm	AGI3500	1050	17W	62	10°
271414 Amyas C31400/AGI4000/17W/93/A10	D140 x H180 ±1mm	AGI4000	1115	17W	66	10°
271415 Amyas C31400/AGI3000/17W/93/A24	D140 x H180 ±1mm	AGI3000	985	17W	58	24°
271416 Amyas C31400/AGI3500/17W/93/A24	D140 x H180 ±1mm	AGI3500	1050	17W	62	24°
271417 Amyas C31400/AGI4000/17W/93/A24	D140 x H180 ±1mm	AGI4000	1115	17W	66	24°
271418 Amyas C31400/AGI3000/17W/93/A55	D140 x H180 ±1mm	AGI3000	985	17W	58	55°
271419 Amyas C31400/AGI3500/17W/93/A55	D140 x H180 ±1mm	AGI3500	1050	17W	62	55°
271420 Amyas C31400/AGI4000/17W/93/A55	D140 x H180 ±1mm	AGI4000	1115	17W	66	55°

## SKU SPECIFICATIONS

Product Code	Dimensions (mm)	CCT (K)	Lumens (lm)	Power (W)	Eff. (lm/watt)	Lens Angle (°)
<b>CRI 93</b>						
271421 Amyas C31800/AGI3000/12W/93/A20	D140 x H180 ±1mm	AGI3000	735	12W	62	20°
271422 Amyas C31800/AGI3500/12W/93/A20	D140 x H180 ±1mm	AGI3500	780	12W	65	20°
271423 Amyas C31800/AGI4000/12W/93/A20	D140 x H180 ±1mm	AGI4000	830	12W	70	20°
271424 Amyas C31800/AGI3000/12W/93/A30	D140 x H180 ±1mm	AGI3000	735	12W	62	30°
271425 Amyas C31800/AGI3500/12W/93/A30	D140 x H180 ±1mm	AGI3500	780	12W	65	30°
271426 Amyas C31800/AGI4000/12W/93/A30	D180 x H200 ±1mm	AGI4000	830	12W	70	30°
271427 Amyas C31800/AGI3000/12W/93/A45	D180 x H200 ±1mm	AGI3000	735	12W	62	45°
271428 Amyas C31800/AGI3500/12W/93/A45	D180 x H200 ±1mm	AGI3500	780	12W	65	45°
271429 Amyas C31800/AGI4000/12W/93/A45	D180 x H200 ±1mm	AGI4000	830	12W	70	45°
271430 Amyas C31800/AGI3000/12W/93/A55	D180 x H200 ±1mm	AGI3000	735	12W	62	55°
271431 Amyas C31800/AGI3500/12W/93/A55	D180 x H200 ±1mm	AGI3500	780	12W	65	55°
271432 Amyas C31800/AGI4000/12W/93/A55	D180 x H200 ±1mm	AGI4000	830	12W	70	55°
271433 Amyas C31800/AGI3000/17W/93/A20	D180 x H200 ±1mm	AGI3000	985	17W	58	20°
271434 Amyas C31800/AGI3500/17W/93/A20	D180 x H200 ±1mm	AGI3500	1050	17W	62	20°
271435 Amyas C31800/AGI4000/17W/93/A20	D180 x H200 ±1mm	AGI4000	1115	17W	66	20°
271436 Amyas C31800/AGI3000/17W/93/A30	D180 x H200 ±1mm	AGI3000	985	17W	58	30°
271437 Amyas C31800/AGI3500/17W/93/A30	D180 x H200 ±1mm	AGI3500	1050	17W	62	30°
271438 Amyas C31800/AGI4000/17W/93/A30	D180 x H200 ±1mm	AGI4000	1115	17W	66	30°
271439 Amyas C31800/AGI3000/17W/93/A45	D180 x H200 ±1mm	AGI3000	985	17W	58	45°
271440 Amyas C31800/AGI3500/17W/93/A45	D180 x H200 ±1mm	AGI3500	1050	17W	62	45°
271441 Amyas C31800/AGI4000/17W/93/A45	D180 x H200 ±1mm	AGI4000	1115	17W	66	45°
271442 Amyas C31800/AGI3000/17W/93/A55	D180 x H200 ±1mm	AGI3000	985	17W	58	55°
271443 Amyas C31800/AGI3500/17W/93/A55	D180 x H200 ±1mm	AGI3500	1050	17W	62	55°
271444 Amyas C31800/AGI4000/17W/93/A55	D180 x H200 ±1mm	AGI4000	1115	17W	66	55°
271445 Amyas C31800/AGI3000/23W/93/A20	D180 x H200 ±1mm	AGI3000	1330	23W	58	20°
271446 Amyas C31800/AGI3500/23W/93/A20	D180 x H200 ±1mm	AGI3500	1440	23W	63	20°
271447 Amyas C31800/AGI4000/23W/93/A20	D180 x H200 ±1mm	AGI4000	1550	23W	68	20°
271448 Amyas C31800/AGI3000/23W/93/A30	D180 x H200 ±1mm	AGI3000	1330	23W	58	30°
271449 Amyas C31800/AGI3500/23W/93/A30	D180 x H200 ±1mm	AGI3500	1440	23W	63	30°
271450 Amyas C31800/AGI4000/23W/93/A30	D180 x H200 ±1mm	AGI4000	1550	23W	68	30°
271451 Amyas C31800/AGI3000/23W/93/A45	D180 x H200 ±1mm	AGI3000	1330	23W	58	45°
271452 Amyas C31800/AGI3500/23W/93/A45	D180 x H200 ±1mm	AGI3500	1440	23W	63	45°
271453 Amyas C31800/AGI4000/23W/93/A45	D180 x H200 ±1mm	AGI4000	1550	23W	68	45°
271454 Amyas C31800/AGI3000/23W/93/A55	D180 x H200 ±1mm	AGI3000	1330	23W	58	55°
271455 Amyas C31800/AGI3500/23W/93/A55	D180 x H200 ±1mm	AGI3500	1440	23W	63	55°
271456 Amyas C31800/AGI4000/23W/93/A55	D180 x H200 ±1mm	AGI4000	1550	23W	68	55°
271457 Amyas C32200/AGI3000/12W/93/A15	D180 x H200 ±1mm	AGI3000	735	12W	62	15°
271458 Amyas C32200/AGI3500/12W/93/A15	D180 x H200 ±1mm	AGI3500	780	12W	65	15°
271459 Amyas C32200/AGI4000/12W/93/A15	D180 x H200 ±1mm	AGI4000	830	12W	70	15°
271460 Amyas C32200/AGI3000/12W/93/A30	D180 x H200 ±1mm	AGI3000	735	12W	62	30°
271461 Amyas C32200/AGI3500/12W/93/A30	D180 x H200 ±1mm	AGI3500	780	12W	65	30°
271462 Amyas C32200/AGI4000/12W/93/A30	D220 x H240 ±1mm	AGI4000	830	12W	70	30°
271463 Amyas C32200/AGI3000/12W/93/A45	D220 x H240 ±1mm	AGI3000	735	12W	62	45°
271464 Amyas C32200/AGI3500/12W/93/A45	D220 x H240 ±1mm	AGI3500	780	12W	65	45°
271465 Amyas C32200/AGI4000/12W/93/A45	D220 x H240 ±1mm	AGI4000	830	12W	70	45°
271466 Amyas C32200/AGI3000/12W/93/A60	D220 x H240 ±1mm	AGI3000	735	12W	62	60°
271467 Amyas C32200/AGI3500/12W/93/A60	D220 x H240 ±1mm	AGI3500	780	12W	65	60°
271468 Amyas C32200/AGI4000/12W/93/A60	D220 x H240 ±1mm	AGI4000	830	12W	70	60°
271469 Amyas C32200/AGI3000/17W/93/A15	D220 x H240 ±1mm	AGI3000	985	17W	58	15°
271470 Amyas C32200/AGI3500/17W/93/A15	D220 x H240 ±1mm	AGI3500	1050	17W	62	15°

## SKU SPECIFICATIONS

Product Code	Dimensions (mm)	CCT (K)	Lumens (lm)	Power (W)	Eff. (lm/watt)	Lens Angle (°)
<b>CRI 93</b>						
271471 Amyas C32200/AGI4000/17W/93/A15	D220 x H240 ±1mm	AGI4000	1115	17W	66	15°
271472 Amyas C32200/AGI3000/17W/93/A30	D220 x H240 ±1mm	AGI3000	985	17W	58	30°
271473 Amyas C32200/AGI3500/17W/93/A30	D220 x H240 ±1mm	AGI3500	1050	17W	62	30°
271474 Amyas C32200/AGI4000/17W/93/A30	D220 x H240 ±1mm	AGI4000	1115	17W	66	30°
271475 Amyas C32200/AGI3000/17W/93/A45	D220 x H240 ±1mm	AGI3000	985	17W	58	45°
271476 Amyas C32200/AGI3500/17W/93/A45	D220 x H240 ±1mm	AGI3500	1050	17W	62	45°
271477 Amyas C32200/AGI4000/17W/93/A45	D220 x H240 ±1mm	AGI4000	1115	17W	66	45°
271478 Amyas C32200/AGI3000/17W/93/A60	D220 x H240 ±1mm	AGI3000	985	17W	58	60°
271479 Amyas C32200/AGI3500/17W/93/A60	D220 x H240 ±1mm	AGI3500	1050	17W	62	60°
271480 Amyas C32200/AGI4000/17W/93/A60	D220 x H240 ±1mm	AGI4000	1115	17W	66	60°
271481 Amyas C32200/AGI3000/23W/93/A15	D220 x H240 ±1mm	AGI3000	1330	23W	58	15°
271482 Amyas C32200/AGI3500/23W/93/A15	D220 x H240 ±1mm	AGI3500	1440	23W	63	15°
271483 Amyas C32200/AGI4000/23W/93/A15	D220 x H240 ±1mm	AGI4000	1550	23W	68	15°
271484 Amyas C32200/AGI3000/23W/93/A30	D220 x H240 ±1mm	AGI3000	1330	23W	58	30°
271485 Amyas C32200/AGI3500/23W/93/A30	D220 x H240 ±1mm	AGI3500	1440	23W	63	30°
271486 Amyas C32200/AGI4000/23W/93/A30	D220 x H240 ±1mm	AGI4000	1550	23W	68	30°
271487 Amyas C32200/AGI3000/23W/93/A45	D220 x H240 ±1mm	AGI3000	1330	23W	58	45°
271488 Amyas C32200/AGI3500/23W/93/A45	D220 x H240 ±1mm	AGI3500	1440	23W	63	45°
271489 Amyas C32200/AGI4000/23W/93/A45	D220 x H240 ±1mm	AGI4000	1550	23W	68	45°
271490 Amyas C32200/AGI3000/23W/93/A60	D220 x H240 ±1mm	AGI3000	1330	23W	58	60°
271491 Amyas C32200/AGI3500/23W/93/A60	D220 x H240 ±1mm	AGI3500	1440	23W	63	60°
271492 Amyas C32200/AGI4000/23W/93/A60	D220 x H240 ±1mm	AGI4000	1550	23W	68	60°
271493 Amyas C32200/AGI3000/29W/93/A15	D220 x H240 ±1mm	AGI3000	1680	29W	58	15°
271494 Amyas C32200/AGI3500/29W/93/A15	D220 x H240 ±1mm	AGI3500	1820	29W	63	15°
271495 Amyas C32200/AGI4000/29W/93/A15	D220 x H240 ±1mm	AGI4000	1960	29W	68	15°
271496 Amyas C32200/AGI3000/29W/93/A30	D220 x H240 ±1mm	AGI3000	1680	29W	58	30°
271497 Amyas C32200/AGI3500/29W/93/A30	D220 x H240 ±1mm	AGI3500	1820	29W	63	30°
271498 Amyas C32200/AGI4000/29W/93/A30	D220 x H240 ±1mm	AGI4000	1960	29W	68	30°
271499 Amyas C32200/AGI3000/29W/93/A45	D220 x H240 ±1mm	AGI3000	1680	29W	58	45°
271500 Amyas C32200/AGI3500/29W/93/A45	D220 x H240 ±1mm	AGI3500	1820	29W	63	45°
271501 Amyas C32200/AGI4000/29W/93/A45	D220 x H240 ±1mm	AGI4000	1960	29W	68	45°
271502 Amyas C32200/AGI3000/29W/93/A60	D220 x H240 ±1mm	AGI3000	1680	29W	58	60°
271503 Amyas C32200/AGI3500/29W/93/A60	D220 x H240 ±1mm	AGI3500	1820	29W	63	60°
271504 Amyas C32200/AGI4000/29W/93/A60	D220 x H240 ±1mm	AGI4000	1960	29W	68	60°
271505 Amyas C32200/AGI3000/34W/93/A15	D220 x H240 ±1mm	AGI3000	1900	34W	56	15°
271506 Amyas C32200/AGI3500/34W/93/A15	D220 x H240 ±1mm	AGI3500	1995	34W	59	15°
271507 Amyas C32200/AGI4000/34W/93/A15	D220 x H240 ±1mm	AGI4000	2095	34W	62	15°
271508 Amyas C32200/AGI3000/34W/93/A30	D220 x H240 ±1mm	AGI3000	1900	34W	56	30°
271509 Amyas C32200/AGI3500/34W/93/A30	D220 x H240 ±1mm	AGI3500	1995	34W	59	30°
271510 Amyas C32200/AGI4000/34W/93/A30	D220 x H240 ±1mm	AGI4000	2095	34W	62	30°
271511 Amyas C32200/AGI3000/34W/93/A45	D220 x H240 ±1mm	AGI3000	1900	34W	56	45°
271512 Amyas C32200/AGI3500/34W/93/A45	D220 x H240 ±1mm	AGI3500	1995	34W	59	45°
271513 Amyas C32200/AGI4000/34W/93/A45	D220 x H240 ±1mm	AGI4000	2095	34W	62	45°
271514 Amyas C32200/AGI3000/34W/93/A60	D220 x H240 ±1mm	AGI3000	1900	34W	56	60°
271515 Amyas C32200/AGI3500/34W/93/A60	D220 x H240 ±1mm	AGI3500	1995	34W	59	60°
271516 Amyas C32200/AGI4000/34W/93/A60	D220 x H240 ±1mm	AGI4000	2095	34W	62	60°
<b>CRI 95</b>						
271312 Amyas C31800/FAS/27W/95/A20	D180 x H200 ±1mm	FAS	2080	27W	78	20°
271313 Amyas C31800/FAS/27W/95/A30	D180 x H200 ±1mm	FAS	2080	27W	78	30°

## SKU SPECIFICATIONS

Product Code	Dimensions (mm)	CCT (K)	Lumens (lm)	Power (W)	Eff. (lm/watt)	Lens Angle (°)
<b>CRI 95</b>						
271314 Amyas C31800/FAS/27W/95/A45	D180 x H200 ±1mm	FAS	2080	27W	78	45°
271315 Amyas C31800/FAS/27W/95/A55	D180 x H200 ±1mm	FAS	2080	27W	78	55°
271324 Amyas C32200/FAS/27W/95/A15	D220 x H240 ±1mm	FAS	2080	27W	78	15°
271325 Amyas C32200/FAS/27W/95/A30	D220 x H240 ±1mm	FAS	2080	27W	78	30°
271326 Amyas C32200/FAS/27W/95/A45	D220 x H240 ±1mm	FAS	2080	27W	78	45°
271328 Amyas C32200/FAS/35W/95/A15	D220 x H240 ±1mm	FAS	2535	35W	73	15°
271329 Amyas C32200/FAS/35W/95/A30	D220 x H240 ±1mm	FAS	2535	35W	73	30°
271330 Amyas C32200/FAS/35W/95/A45	D220 x H240 ±1mm	FAS	2535	35W	73	45°
271332 Amyas C32200/FAS/42W/95/A15	D220 x H240 ±1mm	FAS	2930	42W	70	15°
271333 Amyas C32200/FAS/42W/95/A30	D220 x H240 ±1mm	FAS	2930	42W	70	30°
271334 Amyas C32200/FAS/42W/95/A45	D220 x H240 ±1mm	FAS	2930	42W	70	45°
<b>CRI 98</b>						
271375 Amyas C31800/ART3000/27W/98/A20	D180 x H200 ±1mm	ART3000	1995	27W	74	20°
271376 Amyas C31800/ART3000/27W/98/A30	D180 x H200 ±1mm	ART3000	1995	27W	74	30°
271377 Amyas C31800/ART3000/27W/98/A45	D180 x H200 ±1mm	ART3000	1995	27W	74	45°
271378 Amyas C31800/ART3000/27W/98/A55	D180 x H200 ±1mm	ART3000	1995	27W	74	55°
271391 Amyas C32200/ART3000/27W/98/A15	D220 x H240 ±1mm	ART3000	1995	27W	74	15°
271392 Amyas C32200/ART3000/27W/98/A30	D220 x H240 ±1mm	ART3000	1995	27W	74	30°
271393 Amyas C32200/ART3000/27W/98/A45	D220 x H240 ±1mm	ART3000	1995	27W	74	45°
271394 Amyas C32200/ART3000/27W/98/A60	D220 x H240 ±1mm	ART3000	1995	27W	74	60°
271395 Amyas C32200/ART3000/35W/98/A15	D220 x H240 ±1mm	ART3000	2425	35W	70	15°
271396 Amyas C32200/ART3000/35W/98/A30	D220 x H240 ±1mm	ART3000	2425	35W	70	30°
271397 Amyas C32200/ART3000/35W/98/A45	D220 x H240 ±1mm	ART3000	2425	35W	70	45°
271398 Amyas C32200/ART3000/35W/98/A60	D220 x H240 ±1mm	ART3000	2425	35W	70	60°
271399 Amyas C32200/ART3000/42W/98/A15	D220 x H240 ±1mm	ART3000	2755	42W	66	15°
271400 Amyas C32200/ART3000/42W/98/A30	D220 x H240 ±1mm	ART3000	2755	42W	66	30°
271401 Amyas C32200/ART3000/42W/98/A45	D220 x H240 ±1mm	ART3000	2755	42W	66	45°
271402 Amyas C32200/ART3000/42W/98/A60	D220 x H240 ±1mm	ART3000	2755	42W	66	60°

Technical specifications can be modified without prior notice. All information is property of Greentek Lighting.

The presentation picture is for information purposes only. Latest document update: November 18, 2019 3:19 PM. [www.greentek.eu](http://www.greentek.eu)