



Amyas - Surface Mounted

SURFACE MOUNTED DOWNLIGHTS | DALI SERIES

With an elegant and clean design. Easily installed and maintained. Suitable for special color temperatures. With eight different lens angles from 10° to wide 60°.

PI-LED - Combines variable white light and light of the RGB color system in one single light source. It can vary the color temperature between 2700K - 6500K along Planckian curve in the course of a day.

Amyas come in several series, with various add-on and controls:

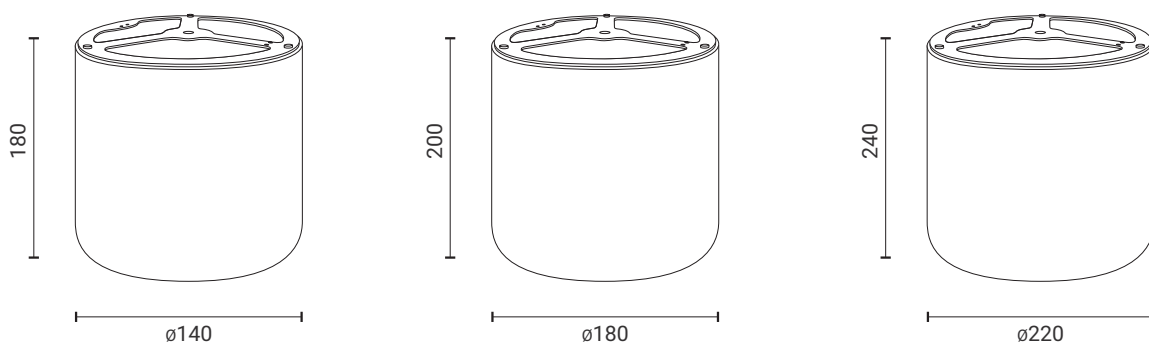
- Amyas - Surface Mounted Non-DALI – the standard for any project in the retail sectors
- Amyas - Surface Mounted DALI – with DALI controls for dimming
- Amyas - Surface Mounted PI-LED - simulates the spectral quality of natural daylight over the entire day.

APPLICATION

Grocery & Supermarket | Office | Healthcare | Hospitality | DIY

FEATURES & BENEFITS

- CRI > 80 as standard, up to 98 for certain special color
- 15 color temperatures, including 11 specialized options
- Great variety of optics – 8 angles from narrow beams to flood beams
- Luminaire efficiency: 117lm/W @4000K
- Dimmable



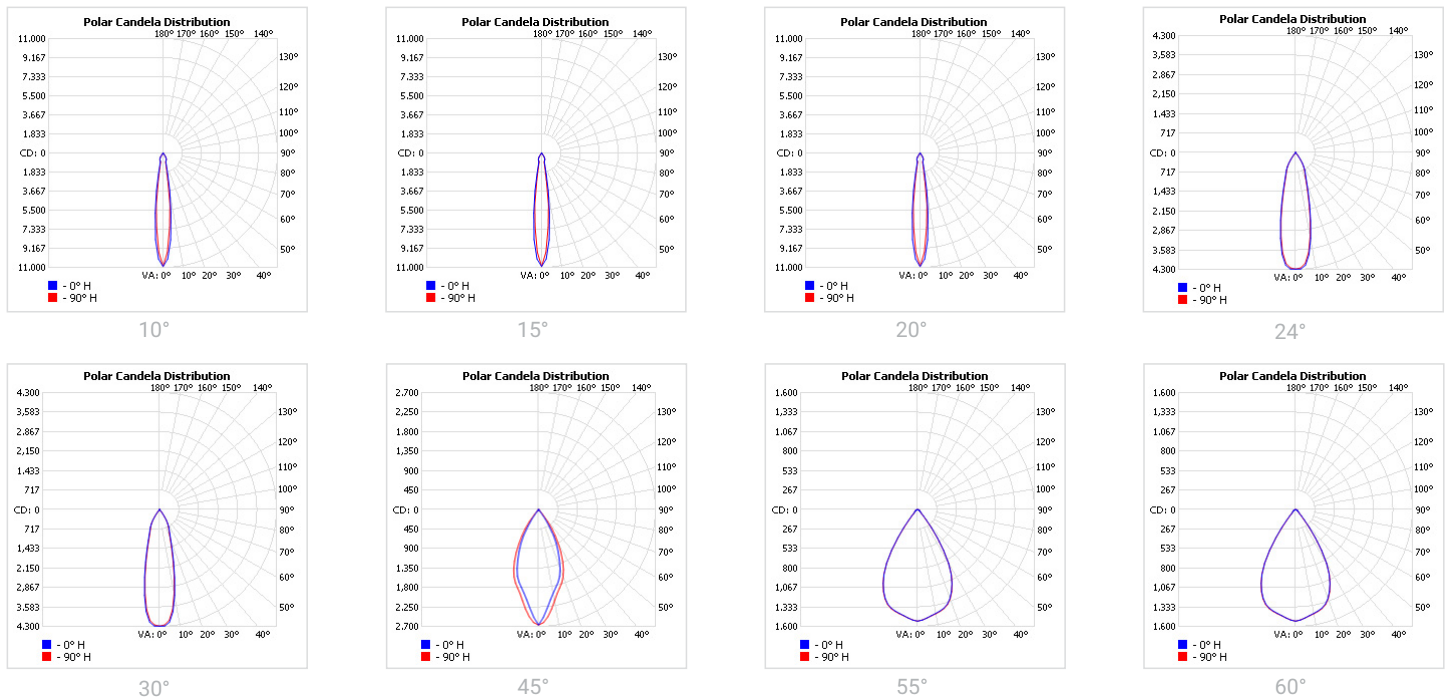
SPECIFICATIONS

Power consumption	12W, 14W, 17W, 20W, 23W, 27W, 29W, 34W, 35W, 42W		
Dimensions	D140xH180mm±1mm	D180xH200mm±1mm	D220xH240mm±1mm
Weight	1.2 - 1.3 Kg	1.8 - 1.9 Kg	1.9 - 2 Kg
Housing materials	Aluminium, Glass		
IK code	IK02		
THD (at 230V, 50Hz, Full load)	<20%		
Protection class	Safety class 1		
Operating temperature [°C]	-20°C ... +45°C / -4F ... +113F		
Operating humidity [%]	10 ÷ 85		
Power factor	≥0.95		
AC Input [Vac]	220 - 240 VAC		
Lens angle [°]	10°, 15°, 20°, 24°, 30°, 45°, 55°, 60°		
Lifespan [h]	50,000		
Housing color	○ RAL 9003 - Signal White, ● RAL 9005 - Jet Black, ● RAL 9006 - White Aluminium		
Lumen maintenance	L90/B10@50,000h at 25°C		
IP factor (general)	IP20		
Control option	DALI		
Warranty [years]	5		
Storage temperature range [°C]	-20°C ... +55°C / -4F ... +131F		
Emergency option	-		

#	Standard	Food	Fashion	AGI	ART	AMB
CRI	CRI80	CRI80	CRI95	CRI93	CRI98	CRI80
CCT [K]	2700 / 3000 / 3500 / 4000	BVF / FBS / FZM / FSM / FSH	FAS	AGI 3000 / 3500 / 4000	3000	2200
MacAdam	3	3 / 4 / 4 / 3 / 3	3	3	2	3

CRI - Color rendering, CCT - Color temperature, MacAdam - Color consistency

LIGHT DISTRIBUTION



TOLERANCES**Luminous flux tolerances:** -/+ 5%**Consumption tolerance:** -/+ 5% for Non-DALI | -/+ 10% for Non-DALI & KIT EM | -/+ 10% for DALI | -/+ 15% for DALI & KIT EM**BATTERY WARRANTY****Non-DALI EM & DALI EM:** 12 months warranty**Non-DALI & DALI:** -**MAXIMUM NO. OF LUMINAIRES ON A CIRCUIT**

Luminaire Power(W)	Control type	Circuit Breaker Type					
		B			C		
		20	16	10	20	16	10
8-20W	Non-DALI	62	50	31	104	85	52
23-35W	Non-DALI	24	20	10	47	40	20
42W	Non-DALI	20	16	8	38	32	16
8-20W	DALI	62	50	31	104	85	52
23-27W	DALI	25	21	13	50	42	26
34-42W	DALI	17	14	9	34	28	18

RISK GROUP

Standard (CRI80)	RG1
FOOD (BVF, FBS, FSM)	RG1
FOOD ≤35W (FZM, FSH)	RG1
FOOD >35W (FZM, FSH)	RG2
FAS	RG1
AMB2200	RG1
ART	RG1
AGI	RG1
CRI90	RG1
CRI95	RG1
ENT	RG1

RG1

The evaluation of photobiological safety is carried out according to the standard IEC 62471:2008 ("Photobiological safety of lamps and lamp systems"). Following the definition of the risk grouping system of the mentioned IEC standard, the LEDs mounted on this family fall into the class "Low Risk (RG1 – No photobiological hazard under normal behavioral limitations)". Under real circumstances (regarding exposure time, pupils, observation distance), it is assumed that there is no endangerment to the eye from these devices. As a matter of principle, however, it should be mentioned that intense light sources have a high secondary exposure potential due to their blinding effect.

RG2

The evaluation of photobiological safety is carried out according to the standard IEC 62471:2008 ("Photobiological safety of lamps and lamp systems"). Following the definition of the risk grouping system of the mentioned IEC standard, the LEDs mounted on this family fall into the class "Moderate Risk (RG2)". Under real circumstances (regarding exposure time, pupils, observation distance), it is assumed that there is no endangerment to the eye from these devices. As a matter of principle, however, it should be mentioned that intense light sources have a high secondary exposure potential due to their blinding effect.

SKU SPECIFICATIONS

Product Code	Dimensions (mm)	CCT (K)	Lumens (lm)	Power (W)	Eff. (lm/watt)	Lens Angle (°)
CRI 80						
232000 Amyas C31400/2700/14W/80/A10	D140 x H180 ±1mm	2700	1485	14W	107	10°
232001 Amyas C31400/3000/14W/80/A10	D140 x H180 ±1mm	3000	1500	14W	108	10°
232002 Amyas C31400/3500/14W/80/A10	D140 x H180 ±1mm	3500	1540	14W	110	10°
232003 Amyas C31400/4000/14W/80/A10	D140 x H180 ±1mm	4000	1570	14W	113	10°
232005 Amyas C31400/2700/14W/80/A24	D140 x H180 ±1mm	2700	1485	14W	107	24°
232006 Amyas C31400/3000/14W/80/A24	D140 x H180 ±1mm	3000	1500	14W	108	24°
232007 Amyas C31400/3500/14W/80/A24	D140 x H180 ±1mm	3500	1540	14W	110	24°
232008 Amyas C31400/4000/14W/80/A24	D140 x H180 ±1mm	4000	1570	14W	113	24°
232010 Amyas C31400/2700/14W/80/A55	D140 x H180 ±1mm	2700	1485	14W	107	55°
232011 Amyas C31400/3000/14W/80/A55	D140 x H180 ±1mm	3000	1500	14W	108	55°
232012 Amyas C31400/3500/14W/80/A55	D140 x H180 ±1mm	3500	1540	14W	110	55°
232013 Amyas C31400/4000/14W/80/A55	D140 x H180 ±1mm	4000	1570	14W	113	55°
232015 Amyas C31400/2700/20W/80/A10	D140 x H180 ±1mm	2700	2080	20W	104	10°
232016 Amyas C31400/3000/20W/80/A10	D140 x H180 ±1mm	3000	2100	20W	105	10°
232017 Amyas C31400/3500/20W/80/A10	D140 x H180 ±1mm	3500	2160	20W	108	10°
232018 Amyas C31400/4000/20W/80/A10	D140 x H180 ±1mm	4000	2200	20W	110	10°
232020 Amyas C31400/2700/20W/80/A24	D140 x H180 ±1mm	2700	2080	20W	104	24°
232021 Amyas C31400/3000/20W/80/A24	D140 x H180 ±1mm	3000	2100	20W	105	24°
232022 Amyas C31400/3500/20W/80/A24	D140 x H180 ±1mm	3500	2160	20W	108	24°
232023 Amyas C31400/4000/20W/80/A24	D140 x H180 ±1mm	4000	2200	20W	110	24°
232025 Amyas C31400/2700/20W/80/A55	D140 x H180 ±1mm	2700	2080	20W	104	55°
232026 Amyas C31400/3000/20W/80/A55	D140 x H180 ±1mm	3000	2100	20W	105	55°
232027 Amyas C31400/3500/20W/80/A55	D140 x H180 ±1mm	3500	2160	20W	108	55°
232028 Amyas C31400/4000/20W/80/A55	D140 x H180 ±1mm	4000	2200	20W	110	55°
232030 Amyas C31800/2700/14W/80/A20	D180 x H200 ±1mm	2700	1485	14W	107	20°
232031 Amyas C31800/3000/14W/80/A20	D180 x H200 ±1mm	3000	1500	14W	108	20°
232032 Amyas C31800/3500/14W/80/A20	D180 x H200 ±1mm	3500	1540	14W	110	20°
232033 Amyas C31800/4000/14W/80/A20	D180 x H200 ±1mm	4000	1570	14W	113	20°
232035 Amyas C31800/2700/14W/80/A30	D180 x H200 ±1mm	2700	1485	14W	107	30°
232036 Amyas C31800/3000/14W/80/A30	D180 x H200 ±1mm	3000	1500	14W	108	30°
232037 Amyas C31800/3500/14W/80/A30	D180 x H200 ±1mm	3500	1540	14W	110	30°
232038 Amyas C31800/4000/14W/80/A30	D180 x H200 ±1mm	4000	1570	14W	113	30°
232040 Amyas C31800/2700/14W/80/A45	D180 x H200 ±1mm	2700	1485	14W	107	45°
232041 Amyas C31800/3000/14W/80/A45	D180 x H200 ±1mm	3000	1500	14W	108	45°
232042 Amyas C31800/3500/14W/80/A45	D180 x H200 ±1mm	3500	1540	14W	110	45°
232043 Amyas C31800/4000/14W/80/A45	D180 x H200 ±1mm	4000	1570	14W	113	45°
232045 Amyas C31800/2700/14W/80/A55	D180 x H200 ±1mm	2700	1485	14W	107	55°
232046 Amyas C31800/3000/14W/80/A55	D180 x H200 ±1mm	3000	1500	14W	108	55°
232047 Amyas C31800/3500/14W/80/A55	D180 x H200 ±1mm	3500	1540	14W	110	55°
232048 Amyas C31800/4000/14W/80/A55	D180 x H200 ±1mm	4000	1570	14W	113	55°
232050 Amyas C31800/2700/20W/80/A20	D180 x H200 ±1mm	2700	2080	20W	104	20°
232051 Amyas C31800/3000/20W/80/A20	D180 x H200 ±1mm	3000	2100	20W	105	20°
232052 Amyas C31800/3500/20W/80/A20	D180 x H200 ±1mm	3500	2160	20W	108	20°
232053 Amyas C31800/4000/20W/80/A20	D180 x H200 ±1mm	4000	2200	20W	110	20°
232055 Amyas C31800/2700/20W/80/A30	D180 x H200 ±1mm	2700	2080	20W	104	30°
232056 Amyas C31800/3000/20W/80/A30	D180 x H200 ±1mm	3000	2100	20W	105	30°
232057 Amyas C31800/3500/20W/80/A30	D180 x H200 ±1mm	3500	2160	20W	108	30°
232058 Amyas C31800/4000/20W/80/A30	D180 x H200 ±1mm	4000	2200	20W	110	30°
232060 Amyas C31800/2700/20W/80/A45	D180 x H200 ±1mm	2700	2080	20W	104	45°
232061 Amyas C31800/3000/20W/80/A45	D180 x H200 ±1mm	3000	2100	20W	105	45°

SKU SPECIFICATIONS

Product Code	Dimensions (mm)	CCT (K)	Lumens (lm)	Power (W)	Eff. (lm/watt)	Lens Angle (°)
CRI 80						
232062 Amyas C31800/3500/20W/80/A45	D180 x H200 ±1mm	3500	2160	20W	108	45°
232063 Amyas C31800/4000/20W/80/A45	D180 x H200 ±1mm	4000	2200	20W	110	45°
232065 Amyas C31800/2700/20W/80/A55	D180 x H200 ±1mm	2700	2080	20W	104	55°
232066 Amyas C31800/3000/20W/80/A55	D180 x H200 ±1mm	3000	2100	20W	105	55°
232067 Amyas C31800/3500/20W/80/A55	D180 x H200 ±1mm	3500	2160	20W	108	55°
232068 Amyas C31800/4000/20W/80/A55	D180 x H200 ±1mm	4000	2200	20W	110	55°
232070 Amyas C31800/2700/27W/80/A20	D180 x H200 ±1mm	2700	2945	27W	110	20°
232071 Amyas C31800/3000/27W/80/A20	D180 x H200 ±1mm	3000	2970	27W	110	20°
232072 Amyas C31800/3500/27W/80/A20	D180 x H200 ±1mm	3500	3055	27W	114	20°
232073 Amyas C31800/4000/27W/80/A20	D180 x H200 ±1mm	4000	3135	27W	117	20°
232075 Amyas C31800/2700/27W/80/A30	D180 x H200 ±1mm	2700	2945	27W	110	30°
232076 Amyas C31800/3000/27W/80/A30	D180 x H200 ±1mm	3000	2970	27W	110	30°
232077 Amyas C31800/3500/27W/80/A30	D180 x H200 ±1mm	3500	3055	27W	114	30°
232078 Amyas C31800/4000/27W/80/A30	D180 x H200 ±1mm	4000	3135	27W	117	30°
232080 Amyas C31800/2700/27W/80/A45	D180 x H200 ±1mm	2700	2945	27W	110	45°
232081 Amyas C31800/3000/27W/80/A45	D180 x H200 ±1mm	3000	2970	27W	110	45°
232082 Amyas C31800/3500/27W/80/A45	D180 x H200 ±1mm	3500	3055	27W	114	45°
232083 Amyas C31800/4000/27W/80/A45	D180 x H200 ±1mm	4000	3135	27W	117	45°
232085 Amyas C31800/2700/27W/80/A55	D180 x H200 ±1mm	2700	2945	27W	110	55°
232086 Amyas C31800/3000/27W/80/A55	D180 x H200 ±1mm	3000	2970	27W	110	55°
232087 Amyas C31800/3500/27W/80/A55	D180 x H200 ±1mm	3500	3055	27W	114	55°
232088 Amyas C31800/4000/27W/80/A55	D180 x H200 ±1mm	4000	3135	27W	117	55°
232090 Amyas C32200/2700/14W/80/A15	D220 x H240 ±1mm	2700	1485	14W	107	15°
232091 Amyas C32200/3000/14W/80/A15	D220 x H240 ±1mm	3000	1500	14W	108	15°
232092 Amyas C32200/3500/14W/80/A15	D220 x H240 ±1mm	3500	1540	14W	110	15°
232093 Amyas C32200/4000/14W/80/A15	D220 x H240 ±1mm	4000	1570	14W	113	15°
232095 Amyas C32200/2700/14W/80/A30	D220 x H240 ±1mm	2700	1485	14W	107	30°
232096 Amyas C32200/3000/14W/80/A30	D220 x H240 ±1mm	3000	1500	14W	108	30°
232097 Amyas C32200/3500/14W/80/A30	D220 x H240 ±1mm	3500	1540	14W	110	30°
232098 Amyas C32200/4000/14W/80/A30	D220 x H240 ±1mm	4000	1570	14W	113	30°
232100 Amyas C32200/2700/14W/80/A45	D220 x H240 ±1mm	2700	1485	14W	107	45°
232101 Amyas C32200/3000/14W/80/A45	D220 x H240 ±1mm	3000	1500	14W	108	45°
232102 Amyas C32200/3500/14W/80/A45	D220 x H240 ±1mm	3500	1540	14W	110	45°
232103 Amyas C32200/4000/14W/80/A45	D220 x H240 ±1mm	4000	1570	14W	113	45°
232105 Amyas C32200/2700/14W/80/A60	D220 x H240 ±1mm	2700	1485	14W	107	60°
232106 Amyas C32200/3000/14W/80/A60	D220 x H240 ±1mm	3000	1500	14W	108	60°
232107 Amyas C32200/3500/14W/80/A60	D220 x H240 ±1mm	3500	1540	14W	110	60°
232108 Amyas C32200/4000/14W/80/A60	D220 x H240 ±1mm	4000	1570	14W	113	60°
232110 Amyas C32200/2700/20W/80/A15	D220 x H240 ±1mm	2700	2080	20W	104	15°
232111 Amyas C32200/3000/20W/80/A15	D220 x H240 ±1mm	3000	2100	20W	105	15°
232112 Amyas C32200/3500/20W/80/A15	D220 x H240 ±1mm	3500	2160	20W	108	15°
232113 Amyas C32200/4000/20W/80/A15	D220 x H240 ±1mm	4000	2200	20W	110	15°
232115 Amyas C32200/2700/20W/80/A30	D220 x H240 ±1mm	2700	2080	20W	104	30°
232116 Amyas C32200/3000/20W/80/A30	D220 x H240 ±1mm	3000	2100	20W	105	30°
232117 Amyas C32200/3500/20W/80/A30	D220 x H240 ±1mm	3500	2160	20W	108	30°
232118 Amyas C32200/4000/20W/80/A30	D220 x H240 ±1mm	4000	2200	20W	110	30°
232120 Amyas C32200/2700/20W/80/A45	D220 x H240 ±1mm	2700	2080	20W	104	45°
232121 Amyas C32200/3000/20W/80/A45	D220 x H240 ±1mm	3000	2100	20W	105	45°
232122 Amyas C32200/3500/20W/80/A45	D220 x H240 ±1mm	3500	2160	20W	108	45°
232123 Amyas C32200/4000/20W/80/A45	D220 x H240 ±1mm	4000	2200	20W	110	45°

SKU SPECIFICATIONS

Product Code	Dimensions (mm)	CCT (K)	Lumens (lm)	Power (W)	Eff. (lm/watt)	Lens Angle (°)
CRI 80						
232125 Amyas C32200/2700/20W/80/A60	D220 x H240 ±1mm	2700	2080	20W	104	60°
232126 Amyas C32200/3000/20W/80/A60	D220 x H240 ±1mm	3000	2100	20W	105	60°
232127 Amyas C32200/3500/20W/80/A60	D220 x H240 ±1mm	3500	2160	20W	108	60°
232128 Amyas C32200/4000/20W/80/A60	D220 x H240 ±1mm	4000	2200	20W	110	60°
232130 Amyas C32200/2700/27W/80/A15	D220 x H240 ±1mm	2700	2945	27W	110	15°
232131 Amyas C32200/3000/27W/80/A15	D220 x H240 ±1mm	3000	2970	27W	110	15°
232132 Amyas C32200/3500/27W/80/A15	D220 x H240 ±1mm	3500	3055	27W	114	15°
232133 Amyas C32200/4000/27W/80/A15	D220 x H240 ±1mm	4000	3135	27W	117	15°
232135 Amyas C32200/2700/27W/80/A30	D220 x H240 ±1mm	2700	2945	27W	110	30°
232136 Amyas C32200/3000/27W/80/A30	D220 x H240 ±1mm	3000	2970	27W	110	30°
232137 Amyas C32200/3500/27W/80/A30	D220 x H240 ±1mm	3500	3055	27W	114	30°
232138 Amyas C32200/4000/27W/80/A30	D220 x H240 ±1mm	4000	3135	27W	117	30°
232140 Amyas C32200/2700/27W/80/A45	D220 x H240 ±1mm	2700	2945	27W	110	45°
232141 Amyas C32200/3000/27W/80/A45	D220 x H240 ±1mm	3000	2970	27W	110	45°
232142 Amyas C32200/3500/27W/80/A45	D220 x H240 ±1mm	3500	3055	27W	114	45°
232143 Amyas C32200/4000/27W/80/A45	D220 x H240 ±1mm	4000	3135	27W	117	45°
232145 Amyas C32200/2700/27W/80/A60	D220 x H240 ±1mm	2700	2945	27W	110	60°
232146 Amyas C32200/3000/27W/80/A60	D220 x H240 ±1mm	3000	2970	27W	110	60°
232147 Amyas C32200/3500/27W/80/A60	D220 x H240 ±1mm	3500	3055	27W	114	60°
232148 Amyas C32200/4000/27W/80/A60	D220 x H240 ±1mm	4000	3135	27W	117	60°
232150 Amyas C32200/2700/35W/80/A15	D220 x H240 ±1mm	2700	3710	35W	106	15°
232151 Amyas C32200/3000/35W/80/A15	D220 x H240 ±1mm	3000	3745	35W	107	15°
232152 Amyas C32200/3500/35W/80/A15	D220 x H240 ±1mm	3500	3815	35W	109	15°
232153 Amyas C32200/4000/35W/80/A15	D220 x H240 ±1mm	4000	3920	35W	112	15°
232155 Amyas C32200/2700/35W/80/A30	D220 x H240 ±1mm	2700	3710	35W	106	30°
232156 Amyas C32200/3000/35W/80/A30	D220 x H240 ±1mm	3000	3745	35W	107	30°
232157 Amyas C32200/3500/35W/80/A30	D220 x H240 ±1mm	3500	3815	35W	109	30°
232158 Amyas C32200/4000/35W/80/A30	D220 x H240 ±1mm	4000	3920	35W	112	30°
232160 Amyas C32200/2700/35W/80/A45	D220 x H240 ±1mm	2700	3710	35W	106	45°
232161 Amyas C32200/3000/35W/80/A45	D220 x H240 ±1mm	3000	3745	35W	107	45°
232162 Amyas C32200/3500/35W/80/A45	D220 x H240 ±1mm	3500	3815	35W	109	45°
232163 Amyas C32200/4000/35W/80/A45	D220 x H240 ±1mm	4000	3920	35W	112	45°
232165 Amyas C32200/2700/35W/80/A60	D220 x H240 ±1mm	2700	3710	35W	106	60°
232166 Amyas C32200/3000/35W/80/A60	D220 x H240 ±1mm	3000	3745	35W	107	60°
232167 Amyas C32200/3500/35W/80/A60	D220 x H240 ±1mm	3500	3815	35W	109	60°
232168 Amyas C32200/4000/35W/80/A60	D220 x H240 ±1mm	4000	3920	35W	112	60°
232170 Amyas C32200/2700/42W/80/A15	D220 x H240 ±1mm	2700	4200	42W	100	15°
232171 Amyas C32200/3000/42W/80/A15	D220 x H240 ±1mm	3000	4200	42W	100	15°
232172 Amyas C32200/3500/42W/80/A15	D220 x H240 ±1mm	3500	4330	42W	103	15°
232173 Amyas C32200/4000/42W/80/A15	D220 x H240 ±1mm	4000	4455	42W	106	15°
232175 Amyas C32200/2700/42W/80/A30	D220 x H240 ±1mm	2700	4200	42W	100	30°
232176 Amyas C32200/3000/42W/80/A30	D220 x H240 ±1mm	3000	4200	42W	100	30°
232177 Amyas C32200/3500/42W/80/A30	D220 x H240 ±1mm	3500	4330	42W	103	30°
232178 Amyas C32200/4000/42W/80/A30	D220 x H240 ±1mm	4000	4455	42W	106	30°
232180 Amyas C32200/2700/42W/80/A45	D220 x H240 ±1mm	2700	4200	42W	100	45°
232181 Amyas C32200/3000/42W/80/A45	D220 x H240 ±1mm	3000	4200	42W	100	45°
232182 Amyas C32200/3500/42W/80/A45	D220 x H240 ±1mm	3500	4330	42W	103	45°
232183 Amyas C32200/4000/42W/80/A45	D220 x H240 ±1mm	4000	4455	42W	106	45°
232185 Amyas C32200/2700/42W/80/A60	D220 x H240 ±1mm	2700	4200	42W	100	60°
232186 Amyas C32200/3000/42W/80/A60	D220 x H240 ±1mm	3000	4200	42W	100	60°

SKU SPECIFICATIONS

Product Code	Dimensions (mm)	CCT (K)	Lumens (lm)	Power (W)	Eff. (lm/watt)	Lens Angle (°)
CRI 80						
232187 Amyas C32200/3500/42W/80/A60	D220 x H240 ±1mm	3500	4330	42W	103	60°
232188 Amyas C32200/4000/42W/80/A60	D220 x H240 ±1mm	4000	4455	42W	106	60°
232218 Amyas C31800/BVF/27W/80/A20	D180 x H200 ±1mm	BVF	2065	27W	77	20°
232219 Amyas C31800/FBS/27W/80/A20	D180 x H200 ±1mm	FBS	1635	27W	61	20°
232220 Amyas C31800/FZM/27W/80/A20	D180 x H200 ±1mm	FZM	1530	27W	57	20°
232221 Amyas C31800/FSM/27W/80/A20	D180 x H200 ±1mm	FSM	1530	27W	57	20°
232339 Amyas C31800/FSH/27W/80/A20	D180 x H200 ±1mm	FSH	2250	27W	84	20°
232222 Amyas C31800/BVF/27W/80/A30	D180 x H200 ±1mm	BVF	2065	27W	77	30°
232223 Amyas C31800/FBS/27W/80/A30	D180 x H200 ±1mm	FBS	1635	27W	61	30°
232224 Amyas C31800/FZM/27W/80/A30	D180 x H200 ±1mm	FZM	1530	27W	57	30°
232225 Amyas C31800/FSM/27W/80/A30	D180 x H200 ±1mm	FSM	1530	27W	57	30°
232340 Amyas C31800/FSH/27W/80/A30	D180 x H200 ±1mm	FSH	2250	27W	84	30°
232226 Amyas C31800/BVF/27W/80/A45	D180 x H200 ±1mm	BVF	2065	27W	77	45°
232227 Amyas C31800/FBS/27W/80/A45	D180 x H200 ±1mm	FBS	1635	27W	61	45°
232228 Amyas C31800/FZM/27W/80/A45	D180 x H200 ±1mm	FZM	1530	27W	57	45°
232229 Amyas C31800/FSM/27W/80/A45	D180 x H200 ±1mm	FSM	1530	27W	57	45°
232341 Amyas C31800/FSH/27W/80/A45	D180 x H200 ±1mm	FSH	2250	27W	84	45°
232250 Amyas C32200/BVF/27W/80/A15	D220 x H240 ±1mm	BVF	2065	27W	77	15°
232251 Amyas C32200/FBS/27W/80/A15	D220 x H240 ±1mm	FBS	1635	27W	61	15°
232252 Amyas C32200/FZM/27W/80/A15	D220 x H240 ±1mm	FZM	1530	27W	57	15°
232253 Amyas C32200/FSM/27W/80/A15	D220 x H240 ±1mm	FSM	1530	27W	57	15°
232343 Amyas C32200/FSH/27W/80/A15	D220 x H240 ±1mm	FSH	2250	27W	84	15°
232254 Amyas C32200/BVF/27W/80/A30	D220 x H240 ±1mm	BVF	2065	27W	77	30°
232255 Amyas C32200/FBS/27W/80/A30	D220 x H240 ±1mm	FBS	1635	27W	61	30°
232256 Amyas C32200/FZM/27W/80/A30	D220 x H240 ±1mm	FZM	1530	27W	57	30°
232257 Amyas C32200/FSM/27W/80/A30	D220 x H240 ±1mm	FSM	1530	27W	57	30°
232344 Amyas C32200/FSH/27W/80/A30	D220 x H240 ±1mm	FSH	2250	27W	84	30°
232258 Amyas C32200/BVF/27W/80/A45	D220 x H240 ±1mm	BVF	2065	27W	77	45°
232259 Amyas C32200/FBS/27W/80/A45	D220 x H240 ±1mm	FBS	1635	27W	61	45°
232260 Amyas C32200/FZM/27W/80/A45	D220 x H240 ±1mm	FZM	1530	27W	57	45°
232261 Amyas C32200/FSM/27W/80/A45	D220 x H240 ±1mm	FSM	1530	27W	57	45°
232345 Amyas C32200/FSH/27W/80/A45	D220 x H240 ±1mm	FSH	2250	27W	84	45°
232262 Amyas C32200/BVF/27W/80/A60	D220 x H240 ±1mm	BVF	2065	27W	77	60°
232263 Amyas C32200/FBS/27W/80/A60	D220 x H240 ±1mm	FBS	1635	27W	61	60°
232264 Amyas C32200/FZM/27W/80/A60	D220 x H240 ±1mm	FZM	1530	27W	57	60°
232265 Amyas C32200/FSM/27W/80/A60	D220 x H240 ±1mm	FSM	1530	27W	57	60°
232346 Amyas C32200/FSH/27W/80/A60	D220 x H240 ±1mm	FSH	2250	27W	84	60°
232266 Amyas C32200/BVF/35W/80/A15	D220 x H240 ±1mm	BVF	2590	35W	74	15°
232267 Amyas C32200/FBS/35W/80/A15	D220 x H240 ±1mm	FBS	2115	35W	61	15°
232268 Amyas C32200/FZM/35W/80/A15	D220 x H240 ±1mm	FZM	1980	35W	57	15°
232269 Amyas C32200/FSM/35W/80/A15	D220 x H240 ±1mm	FSM	1980	35W	57	15°
232347 Amyas C32200/FSH/35W/80/A15	D220 x H240 ±1mm	FSH	2755	35W	79	15°
232270 Amyas C32200/BVF/35W/80/A30	D220 x H240 ±1mm	BVF	2590	35W	74	30°
232271 Amyas C32200/FBS/35W/80/A30	D220 x H240 ±1mm	FBS	2115	35W	61	30°
232272 Amyas C32200/FZM/35W/80/A30	D220 x H240 ±1mm	FZM	1980	35W	57	30°
232273 Amyas C32200/FSM/35W/80/A30	D220 x H240 ±1mm	FSM	1980	35W	57	30°
232348 Amyas C32200/FSH/35W/80/A30	D220 x H240 ±1mm	FSH	2755	35W	79	30°
232274 Amyas C32200/BVF/35W/80/A45	D220 x H240 ±1mm	BVF	2590	35W	74	45°
232275 Amyas C32200/FBS/35W/80/A45	D220 x H240 ±1mm	FBS	2115	35W	61	45°
232276 Amyas C32200/FZM/35W/80/A45	D220 x H240 ±1mm	FZM	1980	35W	57	45°

SKU SPECIFICATIONS

Product Code	Dimensions (mm)	CCT (K)	Lumens (lm)	Power (W)	Eff. (lm/watt)	Lens Angle (°)
CRI 80						
232277 Amyas C32200/FSM/35W/80/A45	D220 x H240 ±1mm	FSM	1980	35W	57	45°
232349 Amyas C32200/FSH/35W/80/A45	D220 x H240 ±1mm	FSH	2755	35W	79	45°
232278 Amyas C32200/BVF/35W/80/A60	D220 x H240 ±1mm	BVF	2590	35W	74	60°
232279 Amyas C32200/FBS/35W/80/A60	D220 x H240 ±1mm	FBS	2115	35W	61	60°
232280 Amyas C32200/FZM/35W/80/A60	D220 x H240 ±1mm	FZM	1980	35W	57	60°
232281 Amyas C32200/FSM/35W/80/A60	D220 x H240 ±1mm	FSM	1980	35W	57	60°
232350 Amyas C32200/FSH/35W/80/A60	D220 x H240 ±1mm	FSH	2755	35W	79	60°
232282 Amyas C32200/BVF/42W/80/A15	D220 x H240 ±1mm	BVF	2870	42W	69	15°
232283 Amyas C32200/FBS/42W/80/A15	D220 x H240 ±1mm	FBS	2450	42W	59	15°
232284 Amyas C32200/FZM/42W/80/A15	D220 x H240 ±1mm	FZM	2325	42W	56	15°
232285 Amyas C32200/FSM/42W/80/A15	D220 x H240 ±1mm	FSM	2325	42W	56	15°
232351 Amyas C32200/FSH/42W/80/A15	D220 x H240 ±1mm	FSH	3155	42W	76	15°
232286 Amyas C32200/BVF/42W/80/A30	D220 x H240 ±1mm	BVF	2870	42W	69	30°
232287 Amyas C32200/FBS/42W/80/A30	D220 x H240 ±1mm	FBS	2450	42W	59	30°
232288 Amyas C32200/FZM/42W/80/A30	D220 x H240 ±1mm	FZM	2325	42W	56	30°
232289 Amyas C32200/FSM/42W/80/A30	D220 x H240 ±1mm	FSM	2325	42W	56	30°
232352 Amyas C32200/FSH/42W/80/A30	D220 x H240 ±1mm	FSH	3155	42W	76	30°
232290 Amyas C32200/BVF/42W/80/A45	D220 x H240 ±1mm	BVF	2870	42W	69	45°
232291 Amyas C32200/FBS/42W/80/A45	D220 x H240 ±1mm	FBS	2450	42W	59	45°
232292 Amyas C32200/FZM/42W/80/A45	D220 x H240 ±1mm	FZM	2325	42W	56	45°
232293 Amyas C32200/FSM/42W/80/A45	D220 x H240 ±1mm	FSM	2325	42W	56	45°
232353 Amyas C32200/FSH/42W/80/A45	D220 x H240 ±1mm	FSH	3155	42W	76	45°
232294 Amyas C32200/BVF/42W/80/A60	D220 x H240 ±1mm	BVF	2870	42W	69	60°
232295 Amyas C32200/FBS/42W/80/A60	D220 x H240 ±1mm	FBS	2450	42W	59	60°
232296 Amyas C32200/FZM/42W/80/A60	D220 x H240 ±1mm	FZM	2325	42W	56	60°
232297 Amyas C32200/FSM/42W/80/A60	D220 x H240 ±1mm	FSM	2325	42W	56	60°
232354 Amyas C32200/FSH/42W/80/A60	D220 x H240 ±1mm	FSH	3155	42W	76	60°
232517 Amyas C31400/BVF/20W/80/A10	D140 x H180 ±1mm	BVF	1540	20W	77	10°
232518 Amyas C31400/FBS/20W/80/A10	D140 x H180 ±1mm	FBS	1220	20W	61	10°
232519 Amyas C31400/FZM/20W/80/A10	D140 x H180 ±1mm	FZM	1140	20W	57	10°
232520 Amyas C31400/FSM/20W/80/A10	D140 x H180 ±1mm	FSM	1140	20W	57	10°
232521 Amyas C31400/FSH/20W/80/A10	D140 x H180 ±1mm	FSH	1680	20W	84	10°
232522 Amyas C31400/BVF/20W/80/A24	D140 x H180 ±1mm	BVF	1540	20W	77	24°
232523 Amyas C31400/FBS/20W/80/A24	D140 x H180 ±1mm	FBS	1220	20W	61	24°
232524 Amyas C31400/FZM/20W/80/A24	D140 x H180 ±1mm	FZM	1140	20W	57	24°
232525 Amyas C31400/FSM/20W/80/A24	D140 x H180 ±1mm	FSM	1140	20W	57	24°
232526 Amyas C31400/FSH/20W/80/A24	D140 x H180 ±1mm	FSH	1680	20W	84	24°
232593 Amyas C31400/BVF/20W/80/A55	D140 x H180 ±1mm	BVF	1540	20W	77	55°
232594 Amyas C31400/FBS/20W/80/A55	D140 x H180 ±1mm	FBS	1220	20W	61	55°
232595 Amyas C31400/FZM/20W/80/A55	D140 x H180 ±1mm	FZM	1140	20W	57	55°
232596 Amyas C31400/FSM/20W/80/A55	D140 x H180 ±1mm	FSM	1140	20W	57	55°
232597 Amyas C31400/FSH/20W/80/A55	D140 x H180 ±1mm	FSH	1680	20W	84	55°
232598 Amyas C31400/AMB2200/14W/80/A10	D140 x H180 ±1mm	AMB2200	1020	14W	73	10°
232599 Amyas C31400/AMB2200/14W/80/A24	D140 x H180 ±1mm	AMB2200	1020	14W	73	24°
232600 Amyas C31400/AMB2200/14W/80/A55	D140 x H180 ±1mm	AMB2200	1020	14W	73	55°
232601 Amyas C31400/AMB2200/20W/80/A10	D140 x H180 ±1mm	AMB2200	1410	20W	71	10°
232602 Amyas C31400/AMB2200/20W/80/A24	D140 x H180 ±1mm	AMB2200	1410	20W	71	24°
232603 Amyas C31400/AMB2200/20W/80/A55	D140 x H180 ±1mm	AMB2200	1410	20W	71	55°
232604 Amyas C31800/AMB2200/14W/80/A20	D180 x H200 ±1mm	AMB2200	1020	14W	73	20°
232605 Amyas C31800/AMB2200/14W/80/A30	D180 x H200 ±1mm	AMB2200	1020	14W	73	30°

SKU SPECIFICATIONS

Product Code	Dimensions (mm)	CCT (K)	Lumens (lm)	Power (W)	Eff. (lm/watt)	Lens Angle (°)
CRI 80						
232606 Amyas C31800/AMB2200/14W/80/A45	D180 x H200 ±1mm	AMB2200	1020	14W	73	45°
232607 Amyas C31800/AMB2200/14W/80/A55	D180 x H200 ±1mm	AMB2200	1020	14W	73	55°
232608 Amyas C31800/AMB2200/20W/80/A20	D180 x H200 ±1mm	AMB2200	1410	20W	71	20°
232609 Amyas C31800/AMB2200/20W/80/A30	D180 x H200 ±1mm	AMB2200	1410	20W	71	30°
232610 Amyas C31800/AMB2200/20W/80/A45	D180 x H200 ±1mm	AMB2200	1410	20W	71	45°
232611 Amyas C31800/AMB2200/20W/80/A55	D180 x H200 ±1mm	AMB2200	1410	20W	71	55°
232612 Amyas C31800/AMB2200/27W/80/A20	D180 x H200 ±1mm	AMB2200	1870	27W	70	20°
232613 Amyas C31800/AMB2200/27W/80/A30	D180 x H200 ±1mm	AMB2200	1870	27W	70	30°
232614 Amyas C31800/AMB2200/27W/80/A45	D180 x H200 ±1mm	AMB2200	1870	27W	70	45°
232615 Amyas C31800/AMB2200/27W/80/A55	D180 x H200 ±1mm	AMB2200	1870	27W	70	55°
232616 Amyas C32200/AMB2200/14W/80/A15	D220 x H240 ±1mm	AMB2200	1020	14W	73	15°
232617 Amyas C32200/AMB2200/14W/80/A30	D220 x H240 ±1mm	AMB2200	1020	14W	73	30°
232618 Amyas C32200/AMB2200/14W/80/A45	D220 x H240 ±1mm	AMB2200	1020	14W	73	45°
232619 Amyas C32200/AMB2200/14W/80/A60	D220 x H240 ±1mm	AMB2200	1020	14W	73	60°
232620 Amyas C32200/AMB2200/20W/80/A15	D220 x H240 ±1mm	AMB2200	1410	20W	71	15°
232621 Amyas C32200/AMB2200/20W/80/A30	D220 x H240 ±1mm	AMB2200	1410	20W	71	30°
232622 Amyas C32200/AMB2200/20W/80/A45	D220 x H240 ±1mm	AMB2200	1410	20W	71	45°
232623 Amyas C32200/AMB2200/20W/80/A60	D220 x H240 ±1mm	AMB2200	1410	20W	71	60°
232624 Amyas C32200/AMB2200/27W/80/A15	D220 x H240 ±1mm	AMB2200	1870	27W	70	15°
232625 Amyas C32200/AMB2200/27W/80/A30	D220 x H240 ±1mm	AMB2200	1870	27W	70	30°
232626 Amyas C32200/AMB2200/27W/80/A45	D220 x H240 ±1mm	AMB2200	1870	27W	70	45°
232627 Amyas C32200/AMB2200/27W/80/A60	D220 x H240 ±1mm	AMB2200	1870	27W	70	60°
232628 Amyas C32200/AMB2200/35W/80/A15	D220 x H240 ±1mm	AMB2200	2585	35W	74	15°
232629 Amyas C32200/AMB2200/35W/80/A30	D220 x H240 ±1mm	AMB2200	2585	35W	74	30°
232630 Amyas C32200/AMB2200/35W/80/A45	D220 x H240 ±1mm	AMB2200	2585	35W	74	45°
232631 Amyas C32200/AMB2200/35W/80/A60	D220 x H240 ±1mm	AMB2200	2585	35W	74	60°
232632 Amyas C32200/AMB2200/42W/80/A15	D220 x H240 ±1mm	AMB2200	2930	42W	70	15°
232633 Amyas C32200/AMB2200/42W/80/A30	D220 x H240 ±1mm	AMB2200	2930	42W	70	30°
232634 Amyas C32200/AMB2200/42W/80/A45	D220 x H240 ±1mm	AMB2200	2930	42W	70	45°
232635 Amyas C32200/AMB2200/42W/80/A60	D220 x H240 ±1mm	AMB2200	2930	42W	70	60°

CRI 93

232403 Amyas C31400/AGI3000/12W/93/A10	D140 x H180 ±1mm	AGI3000	735	12W	62	10°
232404 Amyas C31400/AGI3500/12W/93/A10	D140 x H180 ±1mm	AGI3500	780	12W	65	10°
232405 Amyas C31400/AGI4000/12W/93/A10	D140 x H180 ±1mm	AGI4000	830	12W	70	10°
232406 Amyas C31400/AGI3000/12W/93/A24	D140 x H180 ±1mm	AGI3000	735	12W	62	24°
232407 Amyas C31400/AGI3500/12W/93/A24	D140 x H180 ±1mm	AGI3500	780	12W	65	24°
232408 Amyas C31400/AGI4000/12W/93/A24	D140 x H180 ±1mm	AGI4000	830	12W	70	24°
232409 Amyas C31400/AGI3000/12W/93/A55	D140 x H180 ±1mm	AGI3000	735	12W	62	55°
232410 Amyas C31400/AGI3500/12W/93/A55	D140 x H180 ±1mm	AGI3500	780	12W	65	55°
232411 Amyas C31400/AGI4000/12W/93/A55	D140 x H180 ±1mm	AGI4000	830	12W	70	55°
232412 Amyas C31400/AGI3000/17W/93/A10	D140 x H180 ±1mm	AGI3000	985	17W	58	10°
232413 Amyas C31400/AGI3500/17W/93/A10	D140 x H180 ±1mm	AGI3500	1050	17W	62	10°
232414 Amyas C31400/AGI4000/17W/93/A10	D140 x H180 ±1mm	AGI4000	1115	17W	66	10°
232415 Amyas C31400/AGI3000/17W/93/A24	D140 x H180 ±1mm	AGI3000	985	17W	58	24°
232416 Amyas C31400/AGI3500/17W/93/A24	D140 x H180 ±1mm	AGI3500	1050	17W	62	24°
232417 Amyas C31400/AGI4000/17W/93/A24	D140 x H180 ±1mm	AGI4000	1115	17W	66	24°
232418 Amyas C31400/AGI3000/17W/93/A55	D140 x H180 ±1mm	AGI3000	985	17W	58	55°
232419 Amyas C31400/AGI3500/17W/93/A55	D140 x H180 ±1mm	AGI3500	1050	17W	62	55°
232420 Amyas C31400/AGI4000/17W/93/A55	D140 x H180 ±1mm	AGI4000	1115	17W	66	55°

SKU SPECIFICATIONS

Product Code	Dimensions (mm)	CCT (K)	Lumens (lm)	Power (W)	Eff. (lm/watt)	Lens Angle (°)
CRI 93						
232421 Amyas C31800/AGI3000/12W/93/A20	D180 x H200 ±1mm	AGI3000	735	12W	62	20°
232422 Amyas C31800/AGI3500/12W/93/A20	D180 x H200 ±1mm	AGI3500	780	12W	65	20°
232423 Amyas C31800/AGI4000/12W/93/A20	D180 x H200 ±1mm	AGI4000	830	12W	70	20°
232424 Amyas C31800/AGI3000/12W/93/A30	D180 x H200 ±1mm	AGI3000	735	12W	62	30°
232425 Amyas C31800/AGI3500/12W/93/A30	D180 x H200 ±1mm	AGI3500	780	12W	65	30°
232426 Amyas C31800/AGI4000/12W/93/A30	D180 x H200 ±1mm	AGI4000	830	12W	70	30°
232427 Amyas C31800/AGI3000/12W/93/A45	D180 x H200 ±1mm	AGI3000	735	12W	62	45°
232428 Amyas C31800/AGI3500/12W/93/A45	D180 x H200 ±1mm	AGI3500	780	12W	65	45°
232429 Amyas C31800/AGI4000/12W/93/A45	D180 x H200 ±1mm	AGI4000	830	12W	70	45°
232430 Amyas C31800/AGI3000/12W/93/A55	D180 x H200 ±1mm	AGI3000	735	12W	62	55°
232431 Amyas C31800/AGI3500/12W/93/A55	D180 x H200 ±1mm	AGI3500	780	12W	65	55°
232432 Amyas C31800/AGI4000/12W/93/A55	D180 x H200 ±1mm	AGI4000	830	12W	70	55°
232433 Amyas C31800/AGI3000/17W/93/A20	D180 x H200 ±1mm	AGI3000	985	17W	58	20°
232434 Amyas C31800/AGI3500/17W/93/A20	D180 x H200 ±1mm	AGI3500	1050	17W	62	20°
232435 Amyas C31800/AGI4000/17W/93/A20	D180 x H200 ±1mm	AGI4000	1115	17W	66	20°
232436 Amyas C31800/AGI3000/17W/93/A30	D180 x H200 ±1mm	AGI3000	985	17W	58	30°
232437 Amyas C31800/AGI3500/17W/93/A30	D180 x H200 ±1mm	AGI3500	1050	17W	62	30°
232438 Amyas C31800/AGI4000/17W/93/A30	D180 x H200 ±1mm	AGI4000	1115	17W	66	30°
232439 Amyas C31800/AGI3000/17W/93/A45	D180 x H200 ±1mm	AGI3000	985	17W	58	45°
232440 Amyas C31800/AGI3500/17W/93/A45	D180 x H200 ±1mm	AGI3500	1050	17W	62	45°
232441 Amyas C31800/AGI4000/17W/93/A45	D180 x H200 ±1mm	AGI4000	1115	17W	66	45°
232442 Amyas C31800/AGI3000/17W/93/A55	D180 x H200 ±1mm	AGI3000	985	17W	58	55°
232443 Amyas C31800/AGI3500/17W/93/A55	D180 x H200 ±1mm	AGI3500	1050	17W	62	55°
232444 Amyas C31800/AGI4000/17W/93/A55	D180 x H200 ±1mm	AGI4000	1115	17W	66	55°
232445 Amyas C31800/AGI3000/23W/93/A20	D180 x H200 ±1mm	AGI3000	1330	23W	58	20°
232446 Amyas C31800/AGI3500/23W/93/A20	D180 x H200 ±1mm	AGI3500	1440	23W	63	20°
232447 Amyas C31800/AGI4000/23W/93/A20	D180 x H200 ±1mm	AGI4000	1550	23W	68	20°
232448 Amyas C31800/AGI3000/23W/93/A30	D180 x H200 ±1mm	AGI3000	1330	23W	58	30°
232449 Amyas C31800/AGI3500/23W/93/A30	D180 x H200 ±1mm	AGI3500	1440	23W	63	30°
232450 Amyas C31800/AGI4000/23W/93/A30	D180 x H200 ±1mm	AGI4000	1550	23W	68	30°
232451 Amyas C31800/AGI3000/23W/93/A45	D180 x H200 ±1mm	AGI3000	1330	23W	58	45°
232452 Amyas C31800/AGI3500/23W/93/A45	D180 x H200 ±1mm	AGI3500	1440	23W	63	45°
232453 Amyas C31800/AGI4000/23W/93/A45	D180 x H200 ±1mm	AGI4000	1550	23W	68	45°
232454 Amyas C31800/AGI3000/23W/93/A55	D180 x H200 ±1mm	AGI3000	1330	23W	58	55°
232455 Amyas C31800/AGI3500/23W/93/A55	D180 x H200 ±1mm	AGI3500	1440	23W	63	55°
232456 Amyas C31800/AGI4000/23W/93/A55	D180 x H200 ±1mm	AGI4000	1550	23W	68	55°
232457 Amyas C32200/AGI3000/12W/93/A15	D220 x H240 ±1mm	AGI3000	735	12W	62	15°
232458 Amyas C32200/AGI3500/12W/93/A15	D220 x H240 ±1mm	AGI3500	780	12W	65	15°
232459 Amyas C32200/AGI4000/12W/93/A15	D220 x H240 ±1mm	AGI4000	830	12W	70	15°
232460 Amyas C32200/AGI3000/12W/93/A30	D220 x H240 ±1mm	AGI3000	735	12W	62	30°
232461 Amyas C32200/AGI3500/12W/93/A30	D220 x H240 ±1mm	AGI3500	780	12W	65	30°
232462 Amyas C32200/AGI4000/12W/93/A30	D220 x H240 ±1mm	AGI4000	830	12W	70	30°
232463 Amyas C32200/AGI3000/12W/93/A45	D220 x H240 ±1mm	AGI3000	735	12W	62	45°
232464 Amyas C32200/AGI3500/12W/93/A45	D220 x H240 ±1mm	AGI3500	780	12W	65	45°
232465 Amyas C32200/AGI4000/12W/93/A45	D220 x H240 ±1mm	AGI4000	830	12W	70	45°
232466 Amyas C32200/AGI3000/12W/93/A60	D220 x H240 ±1mm	AGI3000	735	12W	62	60°
232467 Amyas C32200/AGI3500/12W/93/A60	D220 x H240 ±1mm	AGI3500	780	12W	65	60°
232468 Amyas C32200/AGI4000/12W/93/A60	D220 x H240 ±1mm	AGI4000	830	12W	70	60°
232469 Amyas C32200/AGI3000/17W/93/A15	D220 x H240 ±1mm	AGI3000	985	17W	58	15°
232470 Amyas C32200/AGI3500/17W/93/A15	D220 x H240 ±1mm	AGI3500	1050	17W	62	15°

SKU SPECIFICATIONS

Product Code	Dimensions (mm)	CCT (K)	Lumens (lm)	Power (W)	Eff. (lm/watt)	Lens Angle (°)
CRI 93						
232471 Amyas C32200/AGI4000/17W/93/A15	D220 x H240 ±1mm	AGI4000	1115	17W	66	15°
232472 Amyas C32200/AGI3000/17W/93/A30	D220 x H240 ±1mm	AGI3000	985	17W	58	30°
232473 Amyas C32200/AGI3500/17W/93/A30	D220 x H240 ±1mm	AGI3500	1050	17W	62	30°
232474 Amyas C32200/AGI4000/17W/93/A30	D220 x H240 ±1mm	AGI4000	1115	17W	66	30°
232475 Amyas C32200/AGI3000/17W/93/A45	D220 x H240 ±1mm	AGI3000	985	17W	58	45°
232476 Amyas C32200/AGI3500/17W/93/A45	D220 x H240 ±1mm	AGI3500	1050	17W	62	45°
232477 Amyas C32200/AGI4000/17W/93/A45	D220 x H240 ±1mm	AGI4000	1115	17W	66	45°
232478 Amyas C32200/AGI3000/17W/93/A60	D220 x H240 ±1mm	AGI3000	985	17W	58	60°
232479 Amyas C32200/AGI3500/17W/93/A60	D220 x H240 ±1mm	AGI3500	1050	17W	62	60°
232480 Amyas C32200/AGI4000/17W/93/A60	D220 x H240 ±1mm	AGI4000	1115	17W	66	60°
232481 Amyas C32200/AGI3000/23W/93/A15	D220 x H240 ±1mm	AGI3000	1330	23W	58	15°
232482 Amyas C32200/AGI3500/23W/93/A15	D220 x H240 ±1mm	AGI3500	1440	23W	63	15°
232483 Amyas C32200/AGI4000/23W/93/A15	D220 x H240 ±1mm	AGI4000	1550	23W	68	15°
232484 Amyas C32200/AGI3000/23W/93/A30	D220 x H240 ±1mm	AGI3000	1330	23W	58	30°
232485 Amyas C32200/AGI3500/23W/93/A30	D220 x H240 ±1mm	AGI3500	1440	23W	63	30°
232486 Amyas C32200/AGI4000/23W/93/A30	D220 x H240 ±1mm	AGI4000	1550	23W	68	30°
232487 Amyas C32200/AGI3000/23W/93/A45	D220 x H240 ±1mm	AGI3000	1330	23W	58	45°
232488 Amyas C32200/AGI3500/23W/93/A45	D220 x H240 ±1mm	AGI3500	1440	23W	63	45°
232489 Amyas C32200/AGI4000/23W/93/A45	D220 x H240 ±1mm	AGI4000	1550	23W	68	45°
232490 Amyas C32200/AGI3000/23W/93/A60	D220 x H240 ±1mm	AGI3000	1330	23W	58	60°
232491 Amyas C32200/AGI3500/23W/93/A60	D220 x H240 ±1mm	AGI3500	1440	23W	63	60°
232492 Amyas C32200/AGI4000/23W/93/A60	D220 x H240 ±1mm	AGI4000	1550	23W	68	60°
232493 Amyas C32200/AGI3000/29W/93/A15	D220 x H240 ±1mm	AGI3000	1680	29W	58	15°
232494 Amyas C32200/AGI3500/29W/93/A15	D220 x H240 ±1mm	AGI3500	1820	29W	63	15°
232495 Amyas C32200/AGI4000/29W/93/A15	D220 x H240 ±1mm	AGI4000	1960	29W	68	15°
232496 Amyas C32200/AGI3000/29W/93/A30	D220 x H240 ±1mm	AGI3000	1680	29W	58	30°
232497 Amyas C32200/AGI3500/29W/93/A30	D220 x H240 ±1mm	AGI3500	1820	29W	63	30°
232498 Amyas C32200/AGI4000/29W/93/A30	D220 x H240 ±1mm	AGI4000	1960	29W	68	30°
232499 Amyas C32200/AGI3000/29W/93/A45	D220 x H240 ±1mm	AGI3000	1680	29W	58	45°
232500 Amyas C32200/AGI3500/29W/93/A45	D220 x H240 ±1mm	AGI3500	1820	29W	63	45°
232501 Amyas C32200/AGI4000/29W/93/A45	D220 x H240 ±1mm	AGI4000	1960	29W	68	45°
232502 Amyas C32200/AGI3000/29W/93/A60	D220 x H240 ±1mm	AGI3000	1680	29W	58	60°
232503 Amyas C32200/AGI3500/29W/93/A60	D220 x H240 ±1mm	AGI3500	1820	29W	63	60°
232504 Amyas C32200/AGI4000/29W/93/A60	D220 x H240 ±1mm	AGI4000	1960	29W	68	60°
232505 Amyas C32200/AGI3000/34W/93/A15	D220 x H240 ±1mm	AGI3000	1900	34W	56	15°
232506 Amyas C32200/AGI3500/34W/93/A15	D220 x H240 ±1mm	AGI3500	1995	34W	59	15°
232507 Amyas C32200/AGI4000/34W/93/A15	D220 x H240 ±1mm	AGI4000	2095	34W	62	15°
232508 Amyas C32200/AGI3000/34W/93/A30	D220 x H240 ±1mm	AGI3000	1900	34W	56	30°
232509 Amyas C32200/AGI3500/34W/93/A30	D220 x H240 ±1mm	AGI3500	1995	34W	59	30°
232510 Amyas C32200/AGI4000/34W/93/A30	D220 x H240 ±1mm	AGI4000	2095	34W	62	30°
232511 Amyas C32200/AGI3000/34W/93/A45	D220 x H240 ±1mm	AGI3000	1900	34W	56	45°
232512 Amyas C32200/AGI3500/34W/93/A45	D220 x H240 ±1mm	AGI3500	1995	34W	59	45°
232513 Amyas C32200/AGI4000/34W/93/A45	D220 x H240 ±1mm	AGI4000	2095	34W	62	45°
232514 Amyas C32200/AGI3000/34W/93/A60	D220 x H240 ±1mm	AGI3000	1900	34W	56	60°
232515 Amyas C32200/AGI3500/34W/93/A60	D220 x H240 ±1mm	AGI3500	1995	34W	59	60°
232516 Amyas C32200/AGI4000/34W/93/A60	D220 x H240 ±1mm	AGI4000	2095	34W	62	60°
CRI 95						
232312 Amyas C31800/FAS/27W/95/A20	D180 x H200 ±1mm	FAS	2080	27W	78	20°
232313 Amyas C31800/FAS/27W/95/A30	D180 x H200 ±1mm	FAS	2080	27W	78	30°

SKU SPECIFICATIONS

Product Code	Dimensions (mm)	CCT (K)	Lumens (lm)	Power (W)	Eff. (lm/watt)	Lens Angle (°)
CRI 95						
232314 Amyas C31800/FAS/27W/95/A45	D180 x H200 ±1mm	FAS	2080	27W	78	45°
232315 Amyas C31800/FAS/27W/95/A55	D180 x H200 ±1mm	FAS	2080	27W	78	55°
232324 Amyas C32200/FAS/27W/95/A15	D220 x H240 ±1mm	FAS	2080	27W	78	15°
232325 Amyas C32200/FAS/27W/95/A30	D220 x H240 ±1mm	FAS	2080	27W	78	30°
232326 Amyas C32200/FAS/27W/95/A45	D220 x H240 ±1mm	FAS	2080	27W	78	45°
232328 Amyas C32200/FAS/35W/95/A15	D220 x H240 ±1mm	FAS	2535	35W	73	15°
232329 Amyas C32200/FAS/35W/95/A30	D220 x H240 ±1mm	FAS	2535	35W	73	30°
232330 Amyas C32200/FAS/35W/95/A45	D220 x H240 ±1mm	FAS	2535	35W	73	45°
232332 Amyas C32200/FAS/42W/95/A15	D220 x H240 ±1mm	FAS	2930	42W	70	15°
232333 Amyas C32200/FAS/42W/95/A30	D220 x H240 ±1mm	FAS	2930	42W	70	30°
232334 Amyas C32200/FAS/42W/95/A45	D220 x H240 ±1mm	FAS	2930	42W	70	45°
CRI 98						
232375 Amyas C31800/ART3000/27W/98/A20	D180 x H200 ±1mm	ART3000	1995	27W	74	20°
232376 Amyas C31800/ART3000/27W/98/A30	D180 x H200 ±1mm	ART3000	1995	27W	74	30°
232377 Amyas C31800/ART3000/27W/98/A45	D180 x H200 ±1mm	ART3000	1995	27W	74	45°
232378 Amyas C31800/ART3000/27W/98/A55	D180 x H200 ±1mm	ART3000	1995	27W	74	55°
232391 Amyas C32200/ART3000/27W/98/A15	D220 x H240 ±1mm	ART3000	1995	27W	74	15°
232392 Amyas C32200/ART3000/27W/98/A30	D220 x H240 ±1mm	ART3000	1995	27W	74	30°
232393 Amyas C32200/ART3000/27W/98/A45	D220 x H240 ±1mm	ART3000	1995	27W	74	45°
232394 Amyas C32200/ART3000/27W/98/A60	D220 x H240 ±1mm	ART3000	1995	27W	74	60°
232395 Amyas C32200/ART3000/35W/98/A15	D220 x H240 ±1mm	ART3000	2425	35W	70	15°
232396 Amyas C32200/ART3000/35W/98/A30	D220 x H240 ±1mm	ART3000	2425	35W	70	30°
232397 Amyas C32200/ART3000/35W/98/A45	D220 x H240 ±1mm	ART3000	2425	35W	70	45°
232398 Amyas C32200/ART3000/35W/98/A60	D220 x H240 ±1mm	ART3000	2425	35W	70	60°
232399 Amyas C32200/ART3000/42W/98/A15	D220 x H240 ±1mm	ART3000	2755	42W	66	15°
232400 Amyas C32200/ART3000/42W/98/A30	D220 x H240 ±1mm	ART3000	2755	42W	66	30°
232401 Amyas C32200/ART3000/42W/98/A45	D220 x H240 ±1mm	ART3000	2755	42W	66	45°
232402 Amyas C32200/ART3000/42W/98/A60	D220 x H240 ±1mm	ART3000	2755	42W	66	60°

Technical specifications can be modified without prior notice. All information is property of Greentek Lighting.

The presentation picture is for information purposes only. Latest document update: November 18, 2019 3:49 PM. www.greentek.eu