



Amyas - Surface Mounted

SURFACE MOUNTED DOWNLIGHTS | NON-DALI SERIES

With an elegant and clean design. Easily installed and maintained. Suitable for special color temperatures. With eight different lens angles from 10° to wide 60°.

PI-LED - Combines variable white light and light of the RGB color system in one single light source. It can vary the color temperature between 2700K - 6500K along Planckian curve in the course of a day.

Amyas come in several series, with various add-on and controls:

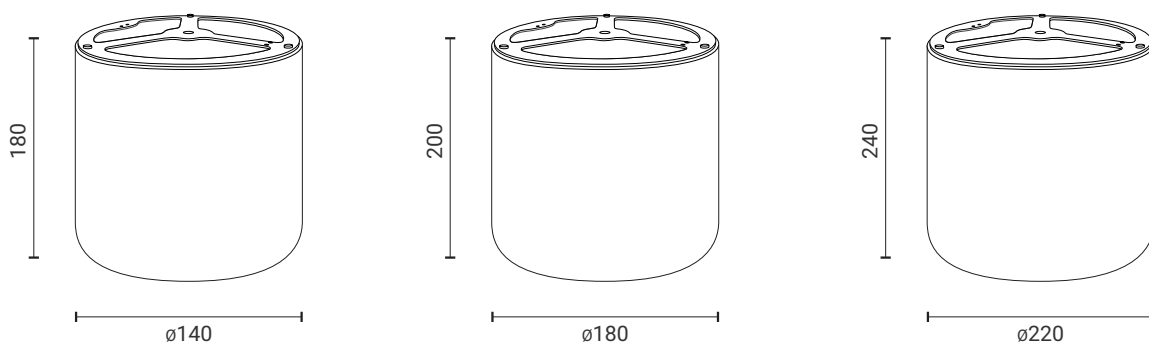
- Amyas - Surface Mounted Non-DALI – the standard for any project in the retail sectors
- Amyas - Surface Mounted DALI – with DALI controls for dimming
- Amyas - Surface Mounted PI-LED - simulates the spectral quality of natural daylight over the entire day.

FEATURES & BENEFITS

- CRI > 80 as standard, up to 98 for certain special color
- 15 color temperatures, including 11 specialized options
- Great variety of optics – 8 angles from narrow beams to flood beams
- Luminaire efficiency: 117lm/W @4000K
- Dimmable (only for DALI Series)

APPLICATION

Grocery & Supermarket | Office | Healthcare | Hospitality | DIY



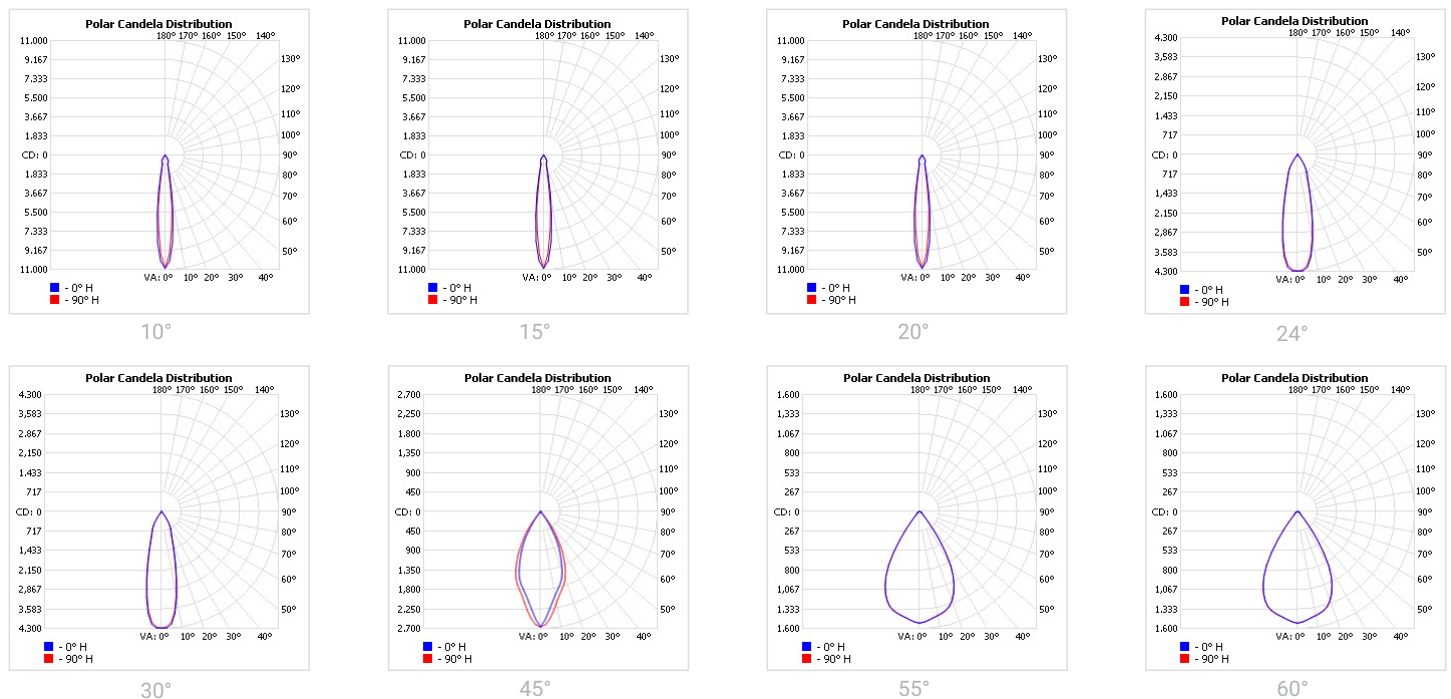
SPECIFICATIONS

Power consumption	12W, 14W, 17W, 20W, 23W, 27W, 29W, 34W, 35W, 42W		
Dimensions	D140xH180mm±1mm	D180xH200mm±1mm	D220xH240mm±1mm
Weight	1.2 Kg	1.8 Kg	1.8 - 2 Kg
Housing materials	Aluminium, Glass		
IK code	IK02		
THD (at 230V, 50Hz, Full load)	<20%		
Protection class	Safety class 1		
Operating temperature [°C]	-20°C ... +45°C / -4F ... +113F		
Operating humidity [%]	10 ÷ 85		
Power factor	≥0.95		
AC Input [Vac]	220 - 240 VAC		
Lens angle [°]	10°, 15°, 20°, 24°, 30°, 45°, 55°, 60°		
Lifespan [h]	50,000		
Housing color	○ RAL 9003 - Signal White, ● RAL 9005 - Jet Black, ● RAL 9006 - White Aluminium		
Lumen maintenance	L90/B10@50,000h at 25°C		
IP factor (general)	IP20		
Control option	-		
Warranty [years]	5		
Storage temperature range [°C]	-20°C ... +55°C / -4F ... +131F		
Emergency option	-		

#	Standard	Food	Fashion	AGI	ART	AMB
CRI	CRI80	CRI80	CRI95	CRI93	CRI98	CRI80
CCT [K]	2700 / 3000 / 3500 / 4000	BVF / FBS / FZM / FSM / FSH	FAS	AGI 3000 / 3500 / 4000	3000	2200
MacAdam	3	3 / 4 / 4 / 3 / 3	3	3	2	3

CRI - Color rendering, CCT - Color temperature, MacAdam - Color consistency

LIGHT DISTRIBUTION



TOLERANCES**Luminous flux tolerances:** -/+ 5%**Consumption tolerance:** -/+ 5% for Non-DALI | -/+ 10% for Non-DALI & KIT EM | -/+ 10% for DALI | -/+ 15% for DALI & KIT EM**BATTERY WARRANTY****Non-DALI EM & DALI EM:** 12 months warranty**Non-DALI & DALI:** -**MAXIMUM NO. OF LUMINAIRES ON A CIRCUIT**

Luminaire Power(W)	Control type	Circuit Breaker Type					
		B			C		
		20	16	10	20	16	10
8-20W	Non-DALI	62	50	31	104	85	52
23-35W	Non-DALI	24	20	10	47	40	20
42W	Non-DALI	20	16	8	38	32	16
8-20W	DALI	62	50	31	104	85	52
23-27W	DALI	25	21	13	50	42	26
34-42W	DALI	17	14	9	34	28	18

RISK GROUP

Standard (CRI80)	RG1
FOOD (BVF, FBS, FSM)	RG1
FOOD ≤35W (FZM, FSH)	RG1
FOOD >35W (FZM, FSH)	RG2
FAS	RG1
AMB2200	RG1
ART	RG1
AGI	RG1
CRI90	RG1
CRI95	RG1
ENT	RG1

RG1

The evaluation of photobiological safety is carried out according to the standard IEC 62471:2008 ("Photobiological safety of lamps and lamp systems"). Following the definition of the risk grouping system of the mentioned IEC standard, the LEDs mounted on this family fall into the class "Low Risk (RG1 – No photobiological hazard under normal behavioral limitations)". Under real circumstances (regarding exposure time, pupils, observation distance), it is assumed that there is no endangerment to the eye from these devices. As a matter of principle, however, it should be mentioned that intense light sources have a high secondary exposure potential due to their blinding effect.

RG2

The evaluation of photobiological safety is carried out according to the standard IEC 62471:2008 ("Photobiological safety of lamps and lamp systems"). Following the definition of the risk grouping system of the mentioned IEC standard, the LEDs mounted on this family fall into the class "Moderate Risk (RG2)". Under real circumstances (regarding exposure time, pupils, observation distance), it is assumed that there is no endangerment to the eye from these devices. As a matter of principle, however, it should be mentioned that intense light sources have a high secondary exposure potential due to their blinding effect.

SKU SPECIFICATIONS

Product Code	Dimensions (mm)	CCT (K)	Lumens (lm)	Power (W)	Eff. (lm/watt)	Lens Angle (°)
CRI 80						
132000 Amyas C31400/2700/14W/80/A10	D140 x H180 ±1mm	2700	1485	14W	107	10°
132001 Amyas C31400/3000/14W/80/A10	D140 x H180 ±1mm	3000	1500	14W	108	10°
132002 Amyas C31400/3500/14W/80/A10	D140 x H180 ±1mm	3500	1540	14W	110	10°
132003 Amyas C31400/4000/14W/80/A10	D140 x H180 ±1mm	4000	1570	14W	113	10°
132005 Amyas C31400/2700/14W/80/A24	D140 x H180 ±1mm	2700	1485	14W	107	24°
132006 Amyas C31400/3000/14W/80/A24	D140 x H180 ±1mm	3000	1500	14W	108	24°
132007 Amyas C31400/3500/14W/80/A24	D140 x H180 ±1mm	3500	1540	14W	110	24°
132008 Amyas C31400/4000/14W/80/A24	D140 x H180 ±1mm	4000	1570	14W	113	24°
132010 Amyas C31400/2700/14W/80/A55	D140 x H180 ±1mm	2700	1485	14W	107	55°
132011 Amyas C31400/3000/14W/80/A55	D140 x H180 ±1mm	3000	1500	14W	108	55°
132012 Amyas C31400/3500/14W/80/A55	D140 x H180 ±1mm	3500	1540	14W	110	55°
132013 Amyas C31400/4000/14W/80/A55	D140 x H180 ±1mm	4000	1570	14W	113	55°
132015 Amyas C31400/2700/20W/80/A10	D140 x H180 ±1mm	2700	2080	20W	104	10°
132016 Amyas C31400/3000/20W/80/A10	D140 x H180 ±1mm	3000	2100	20W	105	10°
132017 Amyas C31400/3500/20W/80/A10	D140 x H180 ±1mm	3500	2160	20W	108	10°
132018 Amyas C31400/4000/20W/80/A10	D140 x H180 ±1mm	4000	2200	20W	110	10°
132020 Amyas C31400/2700/20W/80/A24	D140 x H180 ±1mm	2700	2080	20W	104	24°
132021 Amyas C31400/3000/20W/80/A24	D140 x H180 ±1mm	3000	2100	20W	105	24°
132022 Amyas C31400/3500/20W/80/A24	D140 x H180 ±1mm	3500	2160	20W	108	24°
132023 Amyas C31400/4000/20W/80/A24	D140 x H180 ±1mm	4000	2200	20W	110	24°
132025 Amyas C31400/2700/20W/80/A55	D140 x H180 ±1mm	2700	2080	20W	104	55°
132026 Amyas C31400/3000/20W/80/A55	D140 x H180 ±1mm	3000	2100	20W	105	55°
132027 Amyas C31400/3500/20W/80/A55	D140 x H180 ±1mm	3500	2160	20W	108	55°
132028 Amyas C31400/4000/20W/80/A55	D140 x H180 ±1mm	4000	2200	20W	110	55°
132030 Amyas C31800/2700/14W/80/A20	D180 x H200 ±1mm	2700	1485	14W	107	20°
132031 Amyas C31800/3000/14W/80/A20	D180 x H200 ±1mm	3000	1500	14W	108	20°
132032 Amyas C31800/3500/14W/80/A20	D180 x H200 ±1mm	3500	1540	14W	110	20°
132033 Amyas C31800/4000/14W/80/A20	D180 x H200 ±1mm	4000	1570	14W	113	20°
132035 Amyas C31800/2700/14W/80/A30	D180 x H200 ±1mm	2700	1485	14W	107	30°
132036 Amyas C31800/3000/14W/80/A30	D180 x H200 ±1mm	3000	1500	14W	108	30°
132037 Amyas C31800/3500/14W/80/A30	D180 x H200 ±1mm	3500	1540	14W	110	30°
132038 Amyas C31800/4000/14W/80/A30	D180 x H200 ±1mm	4000	1570	14W	113	30°
132040 Amyas C31800/2700/14W/80/A45	D180 x H200 ±1mm	2700	1485	14W	107	45°
132041 Amyas C31800/3000/14W/80/A45	D180 x H200 ±1mm	3000	1500	14W	108	45°
132042 Amyas C31800/3500/14W/80/A45	D180 x H200 ±1mm	3500	1540	14W	110	45°
132043 Amyas C31800/4000/14W/80/A45	D180 x H200 ±1mm	4000	1570	14W	113	45°
132045 Amyas C31800/2700/14W/80/A55	D180 x H200 ±1mm	2700	1485	14W	107	55°
132046 Amyas C31800/3000/14W/80/A55	D180 x H200 ±1mm	3000	1500	14W	108	55°
132047 Amyas C31800/3500/14W/80/A55	D180 x H200 ±1mm	3500	1540	14W	110	55°
132048 Amyas C31800/4000/14W/80/A55	D180 x H200 ±1mm	4000	1570	14W	113	55°
132050 Amyas C31800/2700/20W/80/A20	D180 x H200 ±1mm	2700	2080	20W	104	20°
132051 Amyas C31800/3000/20W/80/A20	D180 x H200 ±1mm	3000	2100	20W	105	20°
132052 Amyas C31800/3500/20W/80/A20	D180 x H200 ±1mm	3500	2160	20W	108	20°
132053 Amyas C31800/4000/20W/80/A20	D180 x H200 ±1mm	4000	2200	20W	110	20°
132055 Amyas C31800/2700/20W/80/A30	D180 x H200 ±1mm	2700	2080	20W	104	30°
132056 Amyas C31800/3000/20W/80/A30	D180 x H200 ±1mm	3000	2100	20W	105	30°
132057 Amyas C31800/3500/20W/80/A30	D180 x H200 ±1mm	3500	2160	20W	108	30°
132058 Amyas C31800/4000/20W/80/A30	D180 x H200 ±1mm	4000	2200	20W	110	30°
132060 Amyas C31800/2700/20W/80/A45	D180 x H200 ±1mm	2700	2080	20W	104	45°
132061 Amyas C31800/3000/20W/80/A45	D180 x H200 ±1mm	3000	2100	20W	105	45°

SKU SPECIFICATIONS

Product Code	Dimensions (mm)	CCT (K)	Lumens (lm)	Power (W)	Eff. (lm/watt)	Lens Angle (°)
CRI 80						
132062 Amyas C31800/3500/20W/80/A45	D180 x H200 ±1mm	3500	2160	20W	108	45°
132063 Amyas C31800/4000/20W/80/A45	D180 x H200 ±1mm	4000	2200	20W	110	45°
132065 Amyas C31800/2700/20W/80/A55	D180 x H200 ±1mm	2700	2080	20W	104	55°
132066 Amyas C31800/3000/20W/80/A55	D180 x H200 ±1mm	3000	2100	20W	105	55°
132067 Amyas C31800/3500/20W/80/A55	D180 x H200 ±1mm	3500	2160	20W	108	55°
132068 Amyas C31800/4000/20W/80/A55	D180 x H200 ±1mm	4000	2200	20W	110	55°
132070 Amyas C31800/2700/27W/80/A20	D180 x H200 ±1mm	2700	2945	27W	110	20°
132071 Amyas C31800/3000/27W/80/A20	D180 x H200 ±1mm	3000	2970	27W	110	20°
132072 Amyas C31800/3500/27W/80/A20	D180 x H200 ±1mm	3500	3055	27W	114	20°
132073 Amyas C31800/4000/27W/80/A20	D180 x H200 ±1mm	4000	3135	27W	117	20°
132075 Amyas C31800/2700/27W/80/A30	D180 x H200 ±1mm	2700	2945	27W	110	30°
132076 Amyas C31800/3000/27W/80/A30	D180 x H200 ±1mm	3000	2970	27W	110	30°
132077 Amyas C31800/3500/27W/80/A30	D180 x H200 ±1mm	3500	3055	27W	114	30°
132078 Amyas C31800/4000/27W/80/A30	D180 x H200 ±1mm	4000	3135	27W	117	30°
132080 Amyas C31800/2700/27W/80/A45	D180 x H200 ±1mm	2700	2945	27W	110	45°
132081 Amyas C31800/3000/27W/80/A45	D180 x H200 ±1mm	3000	2970	27W	110	45°
132082 Amyas C31800/3500/27W/80/A45	D180 x H200 ±1mm	3500	3055	27W	114	45°
132083 Amyas C31800/4000/27W/80/A45	D180 x H200 ±1mm	4000	3135	27W	117	45°
132085 Amyas C31800/2700/27W/80/A55	D180 x H200 ±1mm	2700	2945	27W	110	55°
132086 Amyas C31800/3000/27W/80/A55	D180 x H200 ±1mm	3000	2970	27W	110	55°
132087 Amyas C31800/3500/27W/80/A55	D180 x H200 ±1mm	3500	3055	27W	114	55°
132088 Amyas C31800/4000/27W/80/A55	D180 x H200 ±1mm	4000	3135	27W	117	55°
132090 Amyas C32200/2700/14W/80/A15	D220 x H240 ±1mm	2700	1485	14W	107	15°
132091 Amyas C32200/3000/14W/80/A15	D220 x H240 ±1mm	3000	1500	14W	108	15°
132092 Amyas C32200/3500/14W/80/A15	D220 x H240 ±1mm	3500	1540	14W	110	15°
132093 Amyas C32200/4000/14W/80/A15	D220 x H240 ±1mm	4000	1570	14W	113	15°
132095 Amyas C32200/2700/14W/80/A30	D220 x H240 ±1mm	2700	1485	14W	107	30°
132096 Amyas C32200/3000/14W/80/A30	D220 x H240 ±1mm	3000	1500	14W	108	30°
132097 Amyas C32200/3500/14W/80/A30	D220 x H240 ±1mm	3500	1540	14W	110	30°
132098 Amyas C32200/4000/14W/80/A30	D220 x H240 ±1mm	4000	1570	14W	113	30°
132100 Amyas C32200/2700/14W/80/A45	D220 x H240 ±1mm	2700	1485	14W	107	45°
132101 Amyas C32200/3000/14W/80/A45	D220 x H240 ±1mm	3000	1500	14W	108	45°
132102 Amyas C32200/3500/14W/80/A45	D220 x H240 ±1mm	3500	1540	14W	110	45°
132103 Amyas C32200/4000/14W/80/A45	D220 x H240 ±1mm	4000	1570	14W	113	45°
132105 Amyas C32200/2700/14W/80/A60	D220 x H240 ±1mm	2700	1485	14W	107	60°
132106 Amyas C32200/3000/14W/80/A60	D220 x H240 ±1mm	3000	1500	14W	108	60°
132107 Amyas C32200/3500/14W/80/A60	D220 x H240 ±1mm	3500	1540	14W	110	60°
132108 Amyas C32200/4000/14W/80/A60	D220 x H240 ±1mm	4000	1570	14W	113	60°
132110 Amyas C32200/2700/20W/80/A15	D220 x H240 ±1mm	2700	2080	20W	104	15°
132111 Amyas C32200/3000/20W/80/A15	D220 x H240 ±1mm	3000	2100	20W	105	15°
132112 Amyas C32200/3500/20W/80/A15	D220 x H240 ±1mm	3500	2160	20W	108	15°
132113 Amyas C32200/4000/20W/80/A15	D220 x H240 ±1mm	4000	2200	20W	110	15°
132115 Amyas C32200/2700/20W/80/A30	D220 x H240 ±1mm	2700	2080	20W	104	30°
132116 Amyas C32200/3000/20W/80/A30	D220 x H240 ±1mm	3000	2100	20W	105	30°
132117 Amyas C32200/3500/20W/80/A30	D220 x H240 ±1mm	3500	2160	20W	108	30°
132118 Amyas C32200/4000/20W/80/A30	D220 x H240 ±1mm	4000	2200	20W	110	30°
132120 Amyas C32200/2700/20W/80/A45	D220 x H240 ±1mm	2700	2080	20W	104	45°
132121 Amyas C32200/3000/20W/80/A45	D220 x H240 ±1mm	3000	2100	20W	105	45°
132122 Amyas C32200/3500/20W/80/A45	D220 x H240 ±1mm	3500	2160	20W	108	45°
132123 Amyas C32200/4000/20W/80/A45	D220 x H240 ±1mm	4000	2200	20W	110	45°

SKU SPECIFICATIONS

Product Code	Dimensions (mm)	CCT (K)	Lumens (lm)	Power (W)	Eff. (lm/watt)	Lens Angle (°)
CRI 80						
132125 Amyas C32200/2700/20W/80/A60	D220 x H240 ±1mm	2700	2080	20W	104	60°
132126 Amyas C32200/3000/20W/80/A60	D220 x H240 ±1mm	3000	2100	20W	105	60°
132127 Amyas C32200/3500/20W/80/A60	D220 x H240 ±1mm	3500	2160	20W	108	60°
132128 Amyas C32200/4000/20W/80/A60	D220 x H240 ±1mm	4000	2200	20W	110	60°
132130 Amyas C32200/2700/27W/80/A15	D220 x H240 ±1mm	2700	2945	27W	110	15°
132131 Amyas C32200/3000/27W/80/A15	D220 x H240 ±1mm	3000	2970	27W	110	15°
132132 Amyas C32200/3500/27W/80/A15	D220 x H240 ±1mm	3500	3055	27W	114	15°
132133 Amyas C32200/4000/27W/80/A15	D220 x H240 ±1mm	4000	3135	27W	117	15°
132135 Amyas C32200/2700/27W/80/A30	D220 x H240 ±1mm	2700	2945	27W	110	30°
132136 Amyas C32200/3000/27W/80/A30	D220 x H240 ±1mm	3000	2970	27W	110	30°
132137 Amyas C32200/3500/27W/80/A30	D220 x H240 ±1mm	3500	3055	27W	114	30°
132138 Amyas C32200/4000/27W/80/A30	D220 x H240 ±1mm	4000	3135	27W	117	30°
132140 Amyas C32200/2700/27W/80/A45	D220 x H240 ±1mm	2700	2945	27W	110	45°
132141 Amyas C32200/3000/27W/80/A45	D220 x H240 ±1mm	3000	2970	27W	110	45°
132142 Amyas C32200/3500/27W/80/A45	D220 x H240 ±1mm	3500	3055	27W	114	45°
132143 Amyas C32200/4000/27W/80/A45	D220 x H240 ±1mm	4000	3135	27W	117	45°
132145 Amyas C32200/2700/27W/80/A60	D220 x H240 ±1mm	2700	2945	27W	110	60°
132146 Amyas C32200/3000/27W/80/A60	D220 x H240 ±1mm	3000	2970	27W	110	60°
132147 Amyas C32200/3500/27W/80/A60	D220 x H240 ±1mm	3500	3055	27W	114	60°
132148 Amyas C32200/4000/27W/80/A60	D220 x H240 ±1mm	4000	3135	27W	117	60°
132150 Amyas C32200/2700/35W/80/A15	D220 x H240 ±1mm	2700	3710	35W	106	15°
132151 Amyas C32200/3000/35W/80/A15	D220 x H240 ±1mm	3000	3745	35W	107	15°
132152 Amyas C32200/3500/35W/80/A15	D220 x H240 ±1mm	3500	3815	35W	109	15°
132153 Amyas C32200/4000/35W/80/A15	D220 x H240 ±1mm	4000	3920	35W	112	15°
132155 Amyas C32200/2700/35W/80/A30	D220 x H240 ±1mm	2700	3710	35W	106	30°
132156 Amyas C32200/3000/35W/80/A30	D220 x H240 ±1mm	3000	3745	35W	107	30°
132157 Amyas C32200/3500/35W/80/A30	D220 x H240 ±1mm	3500	3815	35W	109	30°
132158 Amyas C32200/4000/35W/80/A30	D220 x H240 ±1mm	4000	3920	35W	112	30°
132160 Amyas C32200/2700/35W/80/A45	D220 x H240 ±1mm	2700	3710	35W	106	45°
132161 Amyas C32200/3000/35W/80/A45	D220 x H240 ±1mm	3000	3745	35W	107	45°
132162 Amyas C32200/3500/35W/80/A45	D220 x H240 ±1mm	3500	3815	35W	109	45°
132163 Amyas C32200/4000/35W/80/A45	D220 x H240 ±1mm	4000	3920	35W	112	45°
132165 Amyas C32200/2700/35W/80/A60	D220 x H240 ±1mm	2700	3710	35W	106	60°
132166 Amyas C32200/3000/35W/80/A60	D220 x H240 ±1mm	3000	3745	35W	107	60°
132167 Amyas C32200/3500/35W/80/A60	D220 x H240 ±1mm	3500	3815	35W	109	60°
132168 Amyas C32200/4000/35W/80/A60	D220 x H240 ±1mm	4000	3920	35W	112	60°
132170 Amyas C32200/2700/42W/80/A15	D220 x H240 ±1mm	2700	4200	42W	100	15°
132171 Amyas C32200/3000/42W/80/A15	D220 x H240 ±1mm	3000	4200	42W	100	15°
132172 Amyas C32200/3500/42W/80/A15	D220 x H240 ±1mm	3500	4330	42W	103	15°
132173 Amyas C32200/4000/42W/80/A15	D220 x H240 ±1mm	4000	4455	42W	106	15°
132175 Amyas C32200/2700/42W/80/A30	D220 x H240 ±1mm	2700	4200	42W	100	30°
132176 Amyas C32200/3000/42W/80/A30	D220 x H240 ±1mm	3000	4200	42W	100	30°
132177 Amyas C32200/3500/42W/80/A30	D220 x H240 ±1mm	3500	4330	42W	103	30°
132178 Amyas C32200/4000/42W/80/A30	D220 x H240 ±1mm	4000	4455	42W	106	30°
132180 Amyas C32200/2700/42W/80/A45	D220 x H240 ±1mm	2700	4200	42W	100	45°
132181 Amyas C32200/3000/42W/80/A45	D220 x H240 ±1mm	3000	4200	42W	100	45°
132182 Amyas C32200/3500/42W/80/A45	D220 x H240 ±1mm	3500	4330	42W	103	45°
132183 Amyas C32200/4000/42W/80/A45	D220 x H240 ±1mm	4000	4455	42W	106	45°
132185 Amyas C32200/2700/42W/80/A60	D220 x H240 ±1mm	2700	4200	42W	100	60°
132186 Amyas C32200/3000/42W/80/A60	D220 x H240 ±1mm	3000	4200	42W	100	60°

SKU SPECIFICATIONS

Product Code	Dimensions (mm)	CCT (K)	Lumens (lm)	Power (W)	Eff. (lm/watt)	Lens Angle (°)
CRI 80						
132187 Amyas C32200/3500/42W/80/A60	D220 x H240 ±1mm	3500	4330	42W	103	60°
132188 Amyas C32200/4000/42W/80/A60	D220 x H240 ±1mm	4000	4455	42W	106	60°
132218 Amyas C31800/BVF/27W/80/A20	D180 x H200 ±1mm	BVF	2065	27W	77	20°
132219 Amyas C31800/FBS/27W/80/A20	D180 x H200 ±1mm	FBS	1635	27W	61	20°
132220 Amyas C31800/FZM/27W/80/A20	D180 x H200 ±1mm	FZM	1530	27W	57	20°
132221 Amyas C31800/FSM/27W/80/A20	D180 x H200 ±1mm	FSM	1530	27W	57	20°
132339 Amyas C31800/FSH/27W/80/A20	D180 x H200 ±1mm	FSH	2250	27W	84	20°
132222 Amyas C31800/BVF/27W/80/A30	D180 x H200 ±1mm	BVF	2065	27W	77	30°
132223 Amyas C31800/FBS/27W/80/A30	D180 x H200 ±1mm	FBS	1635	27W	61	30°
132224 Amyas C31800/FZM/27W/80/A30	D180 x H200 ±1mm	FZM	1530	27W	57	30°
132225 Amyas C31800/FSM/27W/80/A30	D180 x H200 ±1mm	FSM	1530	27W	57	30°
132340 Amyas C31800/FSH/27W/80/A30	D180 x H200 ±1mm	FSH	2250	27W	84	30°
132226 Amyas C31800/BVF/27W/80/A45	D180 x H200 ±1mm	BVF	2065	27W	77	45°
132227 Amyas C31800/FBS/27W/80/A45	D180 x H200 ±1mm	FBS	1635	27W	61	45°
132228 Amyas C31800/FZM/27W/80/A45	D180 x H200 ±1mm	FZM	1530	27W	57	45°
132229 Amyas C31800/FSM/27W/80/A45	D180 x H200 ±1mm	FSM	1530	27W	57	45°
132341 Amyas C31800/FSH/27W/80/A45	D180 x H200 ±1mm	FSH	2250	27W	84	45°
132250 Amyas C32200/BVF/27W/80/A15	D220 x H240 ±1mm	BVF	2065	27W	77	15°
132251 Amyas C32200/FBS/27W/80/A15	D220 x H240 ±1mm	FBS	1635	27W	61	15°
132252 Amyas C32200/FZM/27W/80/A15	D220 x H240 ±1mm	FZM	1530	27W	57	15°
132253 Amyas C32200/FSM/27W/80/A15	D220 x H240 ±1mm	FSM	1530	27W	57	15°
132343 Amyas C32200/FSH/27W/80/A15	D220 x H240 ±1mm	FSH	2250	27W	84	15°
132254 Amyas C32200/BVF/27W/80/A30	D220 x H240 ±1mm	BVF	2065	27W	77	30°
132255 Amyas C32200/FBS/27W/80/A30	D220 x H240 ±1mm	FBS	1635	27W	61	30°
132256 Amyas C32200/FZM/27W/80/A30	D220 x H240 ±1mm	FZM	1530	27W	57	30°
132257 Amyas C32200/FSM/27W/80/A30	D220 x H240 ±1mm	FSM	1530	27W	57	30°
132344 Amyas C32200/FSH/27W/80/A30	D220 x H240 ±1mm	FSH	2250	27W	84	30°
132258 Amyas C32200/BVF/27W/80/A45	D220 x H240 ±1mm	BVF	2065	27W	77	45°
132259 Amyas C32200/FBS/27W/80/A45	D220 x H240 ±1mm	FBS	1635	27W	61	45°
132260 Amyas C32200/FZM/27W/80/A45	D220 x H240 ±1mm	FZM	1530	27W	57	45°
132261 Amyas C32200/FSM/27W/80/A45	D220 x H240 ±1mm	FSM	1530	27W	57	45°
132345 Amyas C32200/FSH/27W/80/A45	D220 x H240 ±1mm	FSH	2250	27W	84	45°
132262 Amyas C32200/BVF/27W/80/A60	D220 x H240 ±1mm	BVF	2065	27W	77	60°
132263 Amyas C32200/FBS/27W/80/A60	D220 x H240 ±1mm	FBS	1635	27W	61	60°
132264 Amyas C32200/FZM/27W/80/A60	D220 x H240 ±1mm	FZM	1530	27W	57	60°
132265 Amyas C32200/FSM/27W/80/A60	D220 x H240 ±1mm	FSM	1530	27W	57	60°
132346 Amyas C32200/FSH/27W/80/A60	D220 x H240 ±1mm	FSH	2250	27W	84	60°
132266 Amyas C32200/BVF/35W/80/A15	D220 x H240 ±1mm	BVF	2590	35W	74	15°
132267 Amyas C32200/FBS/35W/80/A15	D220 x H240 ±1mm	FBS	2115	35W	61	15°
132268 Amyas C32200/FZM/35W/80/A15	D220 x H240 ±1mm	FZM	1980	35W	57	15°
132269 Amyas C32200/FSM/35W/80/A15	D220 x H240 ±1mm	FSM	1980	35W	57	15°
132347 Amyas C32200/FSH/35W/80/A15	D220 x H240 ±1mm	FSH	2755	35W	79	15°
132270 Amyas C32200/BVF/35W/80/A30	D220 x H240 ±1mm	BVF	2590	35W	74	30°
132271 Amyas C32200/FBS/35W/80/A30	D220 x H240 ±1mm	FBS	2115	35W	61	30°
132272 Amyas C32200/FZM/35W/80/A30	D220 x H240 ±1mm	FZM	1980	35W	57	30°
132273 Amyas C32200/FSM/35W/80/A30	D220 x H240 ±1mm	FSM	1980	35W	57	30°
132348 Amyas C32200/FSH/35W/80/A30	D220 x H240 ±1mm	FSH	2755	35W	79	30°
132274 Amyas C32200/BVF/35W/80/A45	D220 x H240 ±1mm	BVF	2590	35W	74	45°
132275 Amyas C32200/FBS/35W/80/A45	D220 x H240 ±1mm	FBS	2115	35W	61	45°
132276 Amyas C32200/FZM/35W/80/A45	D220 x H240 ±1mm	FZM	1980	35W	57	45°

SKU SPECIFICATIONS

Product Code	Dimensions (mm)	CCT (K)	Lumens (lm)	Power (W)	Eff. (lm/watt)	Lens Angle (°)
CRI 80						
132277 Amyas C32200/FSM/35W/80/A45	D220 x H240 ±1mm	FSM	1980	35W	57	45°
132349 Amyas C32200/FSH/35W/80/A45	D220 x H240 ±1mm	FSH	2755	35W	79	45°
132278 Amyas C32200/BVF/35W/80/A60	D220 x H240 ±1mm	BVF	2590	35W	74	60°
132279 Amyas C32200/FBS/35W/80/A60	D220 x H240 ±1mm	FBS	2115	35W	61	60°
132280 Amyas C32200/FZM/35W/80/A60	D220 x H240 ±1mm	FZM	1980	35W	57	60°
132281 Amyas C32200/FSM/35W/80/A60	D220 x H240 ±1mm	FSM	1980	35W	57	60°
132350 Amyas C32200/FSH/35W/80/A60	D220 x H240 ±1mm	FSH	2755	35W	79	60°
132282 Amyas C32200/BVF/42W/80/A15	D220 x H240 ±1mm	BVF	2870	42W	69	15°
132283 Amyas C32200/FBS/42W/80/A15	D220 x H240 ±1mm	FBS	2450	42W	59	15°
132284 Amyas C32200/FZM/42W/80/A15	D220 x H240 ±1mm	FZM	2325	42W	56	15°
132285 Amyas C32200/FSM/42W/80/A15	D220 x H240 ±1mm	FSM	2325	42W	56	15°
132351 Amyas C32200/FSH/42W/80/A15	D220 x H240 ±1mm	FSH	3155	42W	76	15°
132286 Amyas C32200/BVF/42W/80/A30	D220 x H240 ±1mm	BVF	2870	42W	69	30°
132287 Amyas C32200/FBS/42W/80/A30	D220 x H240 ±1mm	FBS	2450	42W	59	30°
132288 Amyas C32200/FZM/42W/80/A30	D220 x H240 ±1mm	FZM	2325	42W	56	30°
132289 Amyas C32200/FSM/42W/80/A30	D220 x H240 ±1mm	FSM	2325	42W	56	30°
132352 Amyas C32200/FSH/42W/80/A30	D220 x H240 ±1mm	FSH	3155	42W	76	30°
132290 Amyas C32200/BVF/42W/80/A45	D220 x H240 ±1mm	BVF	2870	42W	69	45°
132291 Amyas C32200/FBS/42W/80/A45	D220 x H240 ±1mm	FBS	2450	42W	59	45°
132292 Amyas C32200/FZM/42W/80/A45	D220 x H240 ±1mm	FZM	2325	42W	56	45°
132293 Amyas C32200/FSM/42W/80/A45	D220 x H240 ±1mm	FSM	2325	42W	56	45°
132353 Amyas C32200/FSH/42W/80/A45	D220 x H240 ±1mm	FSH	3155	42W	76	45°
132294 Amyas C32200/BVF/42W/80/A60	D220 x H240 ±1mm	BVF	2870	42W	69	60°
132295 Amyas C32200/FBS/42W/80/A60	D220 x H240 ±1mm	FBS	2450	42W	59	60°
132296 Amyas C32200/FZM/42W/80/A60	D220 x H240 ±1mm	FZM	2325	42W	56	60°
132297 Amyas C32200/FSM/42W/80/A60	D220 x H240 ±1mm	FSM	2325	42W	56	60°
132354 Amyas C32200/FSH/42W/80/A60	D220 x H240 ±1mm	FSH	3155	42W	76	60°
132517 Amyas C31400/BVF/20W/80/A10	D140 x H180 ±1mm	BVF	1540	20W	77	10°
132518 Amyas C31400/FBS/20W/80/A10	D140 x H180 ±1mm	FBS	1220	20W	61	10°
132519 Amyas C31400/FZM/20W/80/A10	D140 x H180 ±1mm	FZM	1140	20W	57	10°
132520 Amyas C31400/FSM/20W/80/A10	D140 x H180 ±1mm	FSM	1140	20W	57	10°
132521 Amyas C31400/FSH/20W/80/A10	D140 x H180 ±1mm	FSH	1680	20W	84	10°
132522 Amyas C31400/BVF/20W/80/A24	D140 x H180 ±1mm	BVF	1540	20W	77	24°
132523 Amyas C31400/FBS/20W/80/A24	D140 x H180 ±1mm	FBS	1220	20W	61	24°
132524 Amyas C31400/FZM/20W/80/A24	D140 x H180 ±1mm	FZM	1140	20W	57	24°
132525 Amyas C31400/FSM/20W/80/A24	D140 x H180 ±1mm	FSM	1140	20W	57	24°
132526 Amyas C31400/FSH/20W/80/A24	D140 x H180 ±1mm	FSH	1680	20W	84	24°
132593 Amyas C31400/BVF/20W/80/A55	D140 x H180 ±1mm	BVF	1540	20W	77	55°
132594 Amyas C31400/FBS/20W/80/A55	D140 x H180 ±1mm	FBS	1220	20W	61	55°
132595 Amyas C31400/FZM/20W/80/A55	D140 x H180 ±1mm	FZM	1140	20W	57	55°
132596 Amyas C31400/FSM/20W/80/A55	D140 x H180 ±1mm	FSM	1140	20W	57	55°
132597 Amyas C31400/FSH/20W/80/A55	D140 x H180 ±1mm	FSH	1680	20W	84	55°
132598 Amyas C31400/AMB2200/14W/80/A10	D140 x H180 ±1mm	AMB2200	1020	14W	73	10°
132599 Amyas C31400/AMB2200/14W/80/A24	D140 x H180 ±1mm	AMB2200	1020	14W	73	24°
132600 Amyas C31400/AMB2200/14W/80/A55	D140 x H180 ±1mm	AMB2200	1020	14W	73	55°
132601 Amyas C31400/AMB2200/20W/80/A10	D140 x H180 ±1mm	AMB2200	1410	20W	71	10°
132602 Amyas C31400/AMB2200/20W/80/A24	D140 x H180 ±1mm	AMB2200	1410	20W	71	24°
132603 Amyas C31400/AMB2200/20W/80/A55	D140 x H180 ±1mm	AMB2200	1410	20W	71	55°
132604 Amyas C31800/AMB2200/14W/80/A20	D180 x H200 ±1mm	AMB2200	1020	14W	73	20°
132605 Amyas C31800/AMB2200/14W/80/A30	D180 x H200 ±1mm	AMB2200	1020	14W	73	30°

SKU SPECIFICATIONS

Product Code	Dimensions (mm)	CCT (K)	Lumens (lm)	Power (W)	Eff. (lm/watt)	Lens Angle (°)
CRI 80						
132606 Amyas C31800/AMB2200/14W/80/A45	D180 x H200 ±1mm	AMB2200	1020	14W	73	45°
132607 Amyas C31800/AMB2200/14W/80/A55	D180 x H200 ±1mm	AMB2200	1020	14W	73	55°
132608 Amyas C31800/AMB2200/20W/80/A20	D180 x H200 ±1mm	AMB2200	1410	20W	71	20°
132609 Amyas C31800/AMB2200/20W/80/A30	D180 x H200 ±1mm	AMB2200	1410	20W	71	30°
132610 Amyas C31800/AMB2200/20W/80/A45	D180 x H200 ±1mm	AMB2200	1410	20W	71	45°
132611 Amyas C31800/AMB2200/20W/80/A55	D180 x H200 ±1mm	AMB2200	1410	20W	71	55°
132612 Amyas C31800/AMB2200/27W/80/A20	D180 x H200 ±1mm	AMB2200	1870	27W	70	20°
132613 Amyas C31800/AMB2200/27W/80/A30	D180 x H200 ±1mm	AMB2200	1870	27W	70	30°
132614 Amyas C31800/AMB2200/27W/80/A45	D180 x H200 ±1mm	AMB2200	1870	27W	70	45°
132615 Amyas C31800/AMB2200/27W/80/A55	D180 x H200 ±1mm	AMB2200	1870	27W	70	55°
132616 Amyas C32200/AMB2200/14W/80/A15	D220 x H240 ±1mm	AMB2200	1020	14W	73	15°
132617 Amyas C32200/AMB2200/14W/80/A30	D220 x H240 ±1mm	AMB2200	1020	14W	73	30°
132618 Amyas C32200/AMB2200/14W/80/A45	D220 x H240 ±1mm	AMB2200	1020	14W	73	45°
132619 Amyas C32200/AMB2200/14W/80/A60	D220 x H240 ±1mm	AMB2200	1020	14W	73	60°
132620 Amyas C32200/AMB2200/20W/80/A15	D220 x H240 ±1mm	AMB2200	1410	20W	71	15°
132621 Amyas C32200/AMB2200/20W/80/A30	D220 x H240 ±1mm	AMB2200	1410	20W	71	30°
132622 Amyas C32200/AMB2200/20W/80/A45	D220 x H240 ±1mm	AMB2200	1410	20W	71	45°
132623 Amyas C32200/AMB2200/20W/80/A60	D220 x H240 ±1mm	AMB2200	1410	20W	71	60°
132624 Amyas C32200/AMB2200/27W/80/A15	D220 x H240 ±1mm	AMB2200	1870	27W	70	15°
132625 Amyas C32200/AMB2200/27W/80/A30	D220 x H240 ±1mm	AMB2200	1870	27W	70	30°
132626 Amyas C32200/AMB2200/27W/80/A45	D220 x H240 ±1mm	AMB2200	1870	27W	70	45°
132627 Amyas C32200/AMB2200/27W/80/A60	D220 x H240 ±1mm	AMB2200	1870	27W	70	60°
132628 Amyas C32200/AMB2200/35W/80/A15	D220 x H240 ±1mm	AMB2200	2585	35W	74	15°
132629 Amyas C32200/AMB2200/35W/80/A30	D220 x H240 ±1mm	AMB2200	2585	35W	74	30°
132630 Amyas C32200/AMB2200/35W/80/A45	D220 x H240 ±1mm	AMB2200	2585	35W	74	45°
132631 Amyas C32200/AMB2200/35W/80/A60	D220 x H240 ±1mm	AMB2200	2585	35W	74	60°
132632 Amyas C32200/AMB2200/42W/80/A15	D220 x H240 ±1mm	AMB2200	2930	42W	70	15°
132633 Amyas C32200/AMB2200/42W/80/A30	D220 x H240 ±1mm	AMB2200	2930	42W	70	30°
132634 Amyas C32200/AMB2200/42W/80/A45	D220 x H240 ±1mm	AMB2200	2930	42W	70	45°
132635 Amyas C32200/AMB2200/42W/80/A60	D220 x H240 ±1mm	AMB2200	2930	42W	70	60°

CRI 93

132403 Amyas C31400/AGI3000/12W/93/A10	D140 x H180 ±1mm	AGI3000	735	12W	62	10°
132404 Amyas C31400/AGI3500/12W/93/A10	D140 x H180 ±1mm	AGI3500	780	12W	65	10°
132405 Amyas C31400/AGI4000/12W/93/A10	D140 x H180 ±1mm	AGI4000	830	12W	70	10°
132406 Amyas C31400/AGI3000/12W/93/A24	D140 x H180 ±1mm	AGI3000	735	12W	62	24°
132407 Amyas C31400/AGI3500/12W/93/A24	D140 x H180 ±1mm	AGI3500	780	12W	65	24°
132408 Amyas C31400/AGI4000/12W/93/A24	D140 x H180 ±1mm	AGI4000	830	12W	70	24°
132409 Amyas C31400/AGI3000/12W/93/A55	D140 x H180 ±1mm	AGI3000	735	12W	62	55°
132410 Amyas C31400/AGI3500/12W/93/A55	D140 x H180 ±1mm	AGI3500	780	12W	65	55°
132411 Amyas C31400/AGI4000/12W/93/A55	D140 x H180 ±1mm	AGI4000	830	12W	70	55°
132412 Amyas C31400/AGI3000/17W/93/A10	D140 x H180 ±1mm	AGI3000	985	17W	58	10°
132413 Amyas C31400/AGI3500/17W/93/A10	D140 x H180 ±1mm	AGI3500	1050	17W	62	10°
132414 Amyas C31400/AGI4000/17W/93/A10	D140 x H180 ±1mm	AGI4000	1115	17W	66	10°
132415 Amyas C31400/AGI3000/17W/93/A24	D140 x H180 ±1mm	AGI3000	985	17W	58	24°
132416 Amyas C31400/AGI3500/17W/93/A24	D140 x H180 ±1mm	AGI3500	1050	17W	62	24°
132417 Amyas C31400/AGI4000/17W/93/A24	D140 x H180 ±1mm	AGI4000	1115	17W	66	24°
132418 Amyas C31400/AGI3000/17W/93/A55	D140 x H180 ±1mm	AGI3000	985	17W	58	55°
132419 Amyas C31400/AGI3500/17W/93/A55	D140 x H180 ±1mm	AGI3500	1050	17W	62	55°
132420 Amyas C31400/AGI4000/17W/93/A55	D140 x H180 ±1mm	AGI4000	1115	17W	66	55°

SKU SPECIFICATIONS

Product Code	Dimensions (mm)	CCT (K)	Lumens (lm)	Power (W)	Eff. (lm/watt)	Lens Angle (°)
CRI 93						
132421 Amyas C31800/AGI3000/12W/93/A20	D180 x H200 ±1mm	AGI3000	735	12W	62	20°
132422 Amyas C31800/AGI3500/12W/93/A20	D180 x H200 ±1mm	AGI3500	780	12W	65	20°
132423 Amyas C31800/AGI4000/12W/93/A20	D180 x H200 ±1mm	AGI4000	830	12W	70	20°
132424 Amyas C31800/AGI3000/12W/93/A30	D180 x H200 ±1mm	AGI3000	735	12W	62	30°
132425 Amyas C31800/AGI3500/12W/93/A30	D180 x H200 ±1mm	AGI3500	780	12W	65	30°
132426 Amyas C31800/AGI4000/12W/93/A30	D180 x H200 ±1mm	AGI4000	830	12W	70	30°
132427 Amyas C31800/AGI3000/12W/93/A45	D180 x H200 ±1mm	AGI3000	735	12W	62	45°
132428 Amyas C31800/AGI3500/12W/93/A45	D180 x H200 ±1mm	AGI3500	780	12W	65	45°
132429 Amyas C31800/AGI4000/12W/93/A45	D180 x H200 ±1mm	AGI4000	830	12W	70	45°
132430 Amyas C31800/AGI3000/12W/93/A55	D180 x H200 ±1mm	AGI3000	735	12W	62	55°
132431 Amyas C31800/AGI3500/12W/93/A55	D180 x H200 ±1mm	AGI3500	780	12W	65	55°
132432 Amyas C31800/AGI4000/12W/93/A55	D180 x H200 ±1mm	AGI4000	830	12W	70	55°
132433 Amyas C31800/AGI3000/17W/93/A20	D180 x H200 ±1mm	AGI3000	985	17W	58	20°
132434 Amyas C31800/AGI3500/17W/93/A20	D180 x H200 ±1mm	AGI3500	1050	17W	62	20°
132435 Amyas C31800/AGI4000/17W/93/A20	D180 x H200 ±1mm	AGI4000	1115	17W	66	20°
132436 Amyas C31800/AGI3000/17W/93/A30	D180 x H200 ±1mm	AGI3000	985	17W	58	30°
132437 Amyas C31800/AGI3500/17W/93/A30	D180 x H200 ±1mm	AGI3500	1050	17W	62	30°
132438 Amyas C31800/AGI4000/17W/93/A30	D180 x H200 ±1mm	AGI4000	1115	17W	66	30°
132439 Amyas C31800/AGI3000/17W/93/A45	D180 x H200 ±1mm	AGI3000	985	17W	58	45°
132440 Amyas C31800/AGI3500/17W/93/A45	D180 x H200 ±1mm	AGI3500	1050	17W	62	45°
132441 Amyas C31800/AGI4000/17W/93/A45	D180 x H200 ±1mm	AGI4000	1115	17W	66	45°
132442 Amyas C31800/AGI3000/17W/93/A55	D180 x H200 ±1mm	AGI3000	985	17W	58	55°
132443 Amyas C31800/AGI3500/17W/93/A55	D180 x H200 ±1mm	AGI3500	1050	17W	62	55°
132444 Amyas C31800/AGI4000/17W/93/A55	D180 x H200 ±1mm	AGI4000	1115	17W	66	55°
132445 Amyas C31800/AGI3000/23W/93/A20	D180 x H200 ±1mm	AGI3000	1330	23W	58	20°
132446 Amyas C31800/AGI3500/23W/93/A20	D180 x H200 ±1mm	AGI3500	1440	23W	63	20°
132447 Amyas C31800/AGI4000/23W/93/A20	D180 x H200 ±1mm	AGI4000	1550	23W	68	20°
132448 Amyas C31800/AGI3000/23W/93/A30	D180 x H200 ±1mm	AGI3000	1330	23W	58	30°
132449 Amyas C31800/AGI3500/23W/93/A30	D180 x H200 ±1mm	AGI3500	1440	23W	63	30°
132450 Amyas C31800/AGI4000/23W/93/A30	D180 x H200 ±1mm	AGI4000	1550	23W	68	30°
132451 Amyas C31800/AGI3000/23W/93/A45	D180 x H200 ±1mm	AGI3000	1330	23W	58	45°
132452 Amyas C31800/AGI3500/23W/93/A45	D180 x H200 ±1mm	AGI3500	1440	23W	63	45°
132453 Amyas C31800/AGI4000/23W/93/A45	D180 x H200 ±1mm	AGI4000	1550	23W	68	45°
132454 Amyas C31800/AGI3000/23W/93/A55	D180 x H200 ±1mm	AGI3000	1330	23W	58	55°
132455 Amyas C31800/AGI3500/23W/93/A55	D180 x H200 ±1mm	AGI3500	1440	23W	63	55°
132456 Amyas C31800/AGI4000/23W/93/A55	D180 x H200 ±1mm	AGI4000	1550	23W	68	55°
132457 Amyas C32200/AGI3000/12W/93/A15	D220 x H240 ±1mm	AGI3000	735	12W	62	15°
132458 Amyas C32200/AGI3500/12W/93/A15	D220 x H240 ±1mm	AGI3500	780	12W	65	15°
132459 Amyas C32200/AGI4000/12W/93/A15	D220 x H240 ±1mm	AGI4000	830	12W	70	15°
132460 Amyas C32200/AGI3000/12W/93/A30	D220 x H240 ±1mm	AGI3000	735	12W	62	30°
132461 Amyas C32200/AGI3500/12W/93/A30	D220 x H240 ±1mm	AGI3500	780	12W	65	30°
132462 Amyas C32200/AGI4000/12W/93/A30	D220 x H240 ±1mm	AGI4000	830	12W	70	30°
132463 Amyas C32200/AGI3000/12W/93/A45	D220 x H240 ±1mm	AGI3000	735	12W	62	45°
132464 Amyas C32200/AGI3500/12W/93/A45	D220 x H240 ±1mm	AGI3500	780	12W	65	45°
132465 Amyas C32200/AGI4000/12W/93/A45	D220 x H240 ±1mm	AGI4000	830	12W	70	45°
132466 Amyas C32200/AGI3000/12W/93/A60	D220 x H240 ±1mm	AGI3000	735	12W	62	60°
132467 Amyas C32200/AGI3500/12W/93/A60	D220 x H240 ±1mm	AGI3500	780	12W	65	60°
132468 Amyas C32200/AGI4000/12W/93/A60	D220 x H240 ±1mm	AGI4000	830	12W	70	60°
132469 Amyas C32200/AGI3000/17W/93/A15	D220 x H240 ±1mm	AGI3000	985	17W	58	15°
132470 Amyas C32200/AGI3500/17W/93/A15	D220 x H240 ±1mm	AGI3500	1050	17W	62	15°

SKU SPECIFICATIONS

Product Code	Dimensions (mm)	CCT (K)	Lumens (lm)	Power (W)	Eff. (lm/watt)	Lens Angle (°)
CRI 93						
132471 Amyas C32200/AGI4000/17W/93/A15	D220 x H240 ±1mm	AGI4000	1115	17W	66	15°
132472 Amyas C32200/AGI3000/17W/93/A30	D220 x H240 ±1mm	AGI3000	985	17W	58	30°
132473 Amyas C32200/AGI3500/17W/93/A30	D220 x H240 ±1mm	AGI3500	1050	17W	62	30°
132474 Amyas C32200/AGI4000/17W/93/A30	D220 x H240 ±1mm	AGI4000	1115	17W	66	30°
132475 Amyas C32200/AGI3000/17W/93/A45	D220 x H240 ±1mm	AGI3000	985	17W	58	45°
132476 Amyas C32200/AGI3500/17W/93/A45	D220 x H240 ±1mm	AGI3500	1050	17W	62	45°
132477 Amyas C32200/AGI4000/17W/93/A45	D220 x H240 ±1mm	AGI4000	1115	17W	66	45°
132478 Amyas C32200/AGI3000/17W/93/A60	D220 x H240 ±1mm	AGI3000	985	17W	58	60°
132479 Amyas C32200/AGI3500/17W/93/A60	D220 x H240 ±1mm	AGI3500	1050	17W	62	60°
132480 Amyas C32200/AGI4000/17W/93/A60	D220 x H240 ±1mm	AGI4000	1115	17W	66	60°
132481 Amyas C32200/AGI3000/23W/93/A15	D220 x H240 ±1mm	AGI3000	1330	23W	58	15°
132482 Amyas C32200/AGI3500/23W/93/A15	D220 x H240 ±1mm	AGI3500	1440	23W	63	15°
132483 Amyas C32200/AGI4000/23W/93/A15	D220 x H240 ±1mm	AGI4000	1550	23W	68	15°
132484 Amyas C32200/AGI3000/23W/93/A30	D220 x H240 ±1mm	AGI3000	1330	23W	58	30°
132485 Amyas C32200/AGI3500/23W/93/A30	D220 x H240 ±1mm	AGI3500	1440	23W	63	30°
132486 Amyas C32200/AGI4000/23W/93/A30	D220 x H240 ±1mm	AGI4000	1550	23W	68	30°
132487 Amyas C32200/AGI3000/23W/93/A45	D220 x H240 ±1mm	AGI3000	1330	23W	58	45°
132488 Amyas C32200/AGI3500/23W/93/A45	D220 x H240 ±1mm	AGI3500	1440	23W	63	45°
132489 Amyas C32200/AGI4000/23W/93/A45	D220 x H240 ±1mm	AGI4000	1550	23W	68	45°
132490 Amyas C32200/AGI3000/23W/93/A60	D220 x H240 ±1mm	AGI3000	1330	23W	58	60°
132491 Amyas C32200/AGI3500/23W/93/A60	D220 x H240 ±1mm	AGI3500	1440	23W	63	60°
132492 Amyas C32200/AGI4000/23W/93/A60	D220 x H240 ±1mm	AGI4000	1550	23W	68	60°
132493 Amyas C32200/AGI3000/29W/93/A15	D220 x H240 ±1mm	AGI3000	1680	29W	58	15°
132494 Amyas C32200/AGI3500/29W/93/A15	D220 x H240 ±1mm	AGI3500	1820	29W	63	15°
132495 Amyas C32200/AGI4000/29W/93/A15	D220 x H240 ±1mm	AGI4000	1960	29W	68	15°
132496 Amyas C32200/AGI3000/29W/93/A30	D220 x H240 ±1mm	AGI3000	1680	29W	58	30°
132497 Amyas C32200/AGI3500/29W/93/A30	D220 x H240 ±1mm	AGI3500	1820	29W	63	30°
132498 Amyas C32200/AGI4000/29W/93/A30	D220 x H240 ±1mm	AGI4000	1960	29W	68	30°
132499 Amyas C32200/AGI3000/29W/93/A45	D220 x H240 ±1mm	AGI3000	1680	29W	58	45°
132500 Amyas C32200/AGI3500/29W/93/A45	D220 x H240 ±1mm	AGI3500	1820	29W	63	45°
132501 Amyas C32200/AGI4000/29W/93/A45	D220 x H240 ±1mm	AGI4000	1960	29W	68	45°
132502 Amyas C32200/AGI3000/29W/93/A60	D220 x H240 ±1mm	AGI3000	1680	29W	58	60°
132503 Amyas C32200/AGI3500/29W/93/A60	D220 x H240 ±1mm	AGI3500	1820	29W	63	60°
132504 Amyas C32200/AGI4000/29W/93/A60	D220 x H240 ±1mm	AGI4000	1960	29W	68	60°
132505 Amyas C32200/AGI3000/34W/93/A15	D220 x H240 ±1mm	AGI3000	1900	34W	56	15°
132506 Amyas C32200/AGI3500/34W/93/A15	D220 x H240 ±1mm	AGI3500	1995	34W	59	15°
132507 Amyas C32200/AGI4000/34W/93/A15	D220 x H240 ±1mm	AGI4000	2095	34W	62	15°
132508 Amyas C32200/AGI3000/34W/93/A30	D220 x H240 ±1mm	AGI3000	1900	34W	56	30°
132509 Amyas C32200/AGI3500/34W/93/A30	D220 x H240 ±1mm	AGI3500	1995	34W	59	30°
132510 Amyas C32200/AGI4000/34W/93/A30	D220 x H240 ±1mm	AGI4000	2095	34W	62	30°
132511 Amyas C32200/AGI3000/34W/93/A45	D220 x H240 ±1mm	AGI3000	1900	34W	56	45°
132512 Amyas C32200/AGI3500/34W/93/A45	D220 x H240 ±1mm	AGI3500	1995	34W	59	45°
132513 Amyas C32200/AGI4000/34W/93/A45	D220 x H240 ±1mm	AGI4000	2095	34W	62	45°
132514 Amyas C32200/AGI3000/34W/93/A60	D220 x H240 ±1mm	AGI3000	1900	34W	56	60°
132515 Amyas C32200/AGI3500/34W/93/A60	D220 x H240 ±1mm	AGI3500	1995	34W	59	60°
132516 Amyas C32200/AGI4000/34W/93/A60	D220 x H240 ±1mm	AGI4000	2095	34W	62	60°
CRI 95						
132312 Amyas C31800/FAS/27W/95/A20	D180 x H200 ±1mm	FAS	2080	27W	78	20°
132313 Amyas C31800/FAS/27W/95/A30	D180 x H200 ±1mm	FAS	2080	27W	78	30°

SKU SPECIFICATIONS

Product Code	Dimensions (mm)	CCT (K)	Lumens (lm)	Power (W)	Eff. (lm/watt)	Lens Angle (°)
CRI 95						
132314 Amyas C31800/FAS/27W/95/A45	D180 x H200 ±1mm	FAS	2080	27W	78	45°
132315 Amyas C31800/FAS/27W/95/A55	D180 x H200 ±1mm	FAS	2080	27W	78	55°
132324 Amyas C32200/FAS/27W/95/A15	D220 x H240 ±1mm	FAS	2080	27W	78	15°
132325 Amyas C32200/FAS/27W/95/A30	D220 x H240 ±1mm	FAS	2080	27W	78	30°
132326 Amyas C32200/FAS/27W/95/A45	D220 x H240 ±1mm	FAS	2080	27W	78	45°
132328 Amyas C32200/FAS/35W/95/A15	D220 x H240 ±1mm	FAS	2535	35W	73	15°
132329 Amyas C32200/FAS/35W/95/A30	D220 x H240 ±1mm	FAS	2535	35W	73	30°
132330 Amyas C32200/FAS/35W/95/A45	D220 x H240 ±1mm	FAS	2535	35W	73	45°
132332 Amyas C32200/FAS/42W/95/A15	D220 x H240 ±1mm	FAS	2930	42W	70	15°
132333 Amyas C32200/FAS/42W/95/A30	D220 x H240 ±1mm	FAS	2930	42W	70	30°
132334 Amyas C32200/FAS/42W/95/A45	D220 x H240 ±1mm	FAS	2930	42W	70	45°
CRI 98						
132375 Amyas C31800/ART3000/27W/98/A20	D180 x H200 ±1mm	ART3000	1995	27W	74	20°
132376 Amyas C31800/ART3000/27W/98/A30	D180 x H200 ±1mm	ART3000	1995	27W	74	30°
132377 Amyas C31800/ART3000/27W/98/A45	D180 x H200 ±1mm	ART3000	1995	27W	74	45°
132378 Amyas C31800/ART3000/27W/98/A55	D180 x H200 ±1mm	ART3000	1995	27W	74	55°
132391 Amyas C32200/ART3000/27W/98/A15	D220 x H240 ±1mm	ART3000	1995	27W	74	15°
132392 Amyas C32200/ART3000/27W/98/A30	D220 x H240 ±1mm	ART3000	1995	27W	74	30°
132393 Amyas C32200/ART3000/27W/98/A45	D220 x H240 ±1mm	ART3000	1995	27W	74	45°
132394 Amyas C32200/ART3000/27W/98/A60	D220 x H240 ±1mm	ART3000	1995	27W	74	60°
132395 Amyas C32200/ART3000/35W/98/A15	D220 x H240 ±1mm	ART3000	2425	35W	70	15°
132396 Amyas C32200/ART3000/35W/98/A30	D220 x H240 ±1mm	ART3000	2425	35W	70	30°
132397 Amyas C32200/ART3000/35W/98/A45	D220 x H240 ±1mm	ART3000	2425	35W	70	45°
132398 Amyas C32200/ART3000/35W/98/A60	D220 x H240 ±1mm	ART3000	2425	35W	70	60°
132399 Amyas C32200/ART3000/42W/98/A15	D220 x H240 ±1mm	ART3000	2755	42W	66	15°
132400 Amyas C32200/ART3000/42W/98/A30	D220 x H240 ±1mm	ART3000	2755	42W	66	30°
132401 Amyas C32200/ART3000/42W/98/A45	D220 x H240 ±1mm	ART3000	2755	42W	66	45°
132402 Amyas C32200/ART3000/42W/98/A60	D220 x H240 ±1mm	ART3000	2755	42W	66	60°

Technical specifications can be modified without prior notice. All information is property of Greentek Lighting.

The presentation picture is for information purposes only. Latest document update: November 18, 2019 3:50 PM. www.greentek.eu