



Amyas - Surface Mounted

SURFACE MOUNTED DOWNLIGHTS | PI-LED SERIES

With an elegant and clean design. Easily installed and maintained. Suitable for special color temperatures. With eight different lens angles from 10° to wide 60°.

PI-LED - Combines variable white light and light of the RGB color system in one single light source. It can vary the color temperature between 2700K - 6500K along Planckian curve in the course of a day.

Amyas come in several series, with various add-on and controls:

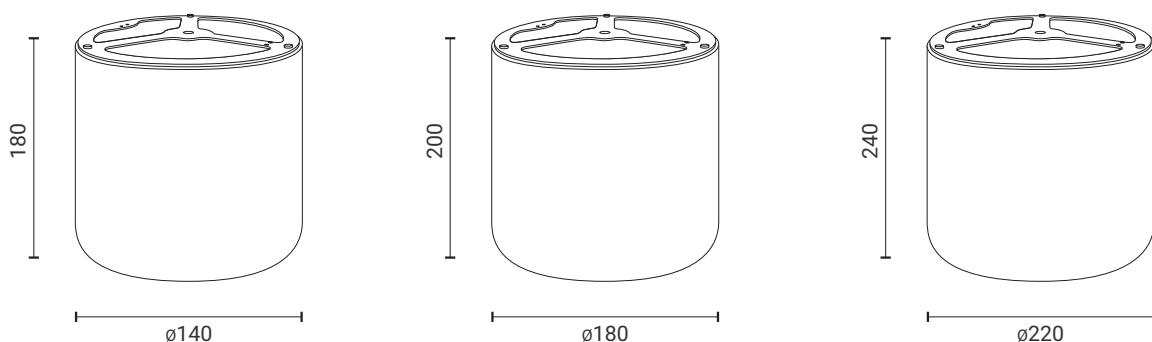
- Amyas - Surface Mounted Non-DALI – the standard for any project in the retail sectors
- Amyas - Surface Mounted DALI – with DALI controls for dimming
- Amyas - Surface Mounted PI-LED - simulates the spectral quality of natural daylight over the entire day.

APPLICATION

Grocery & Supermarket | Office | Healthcare | Hospitality | DIY

FEATURES & BENEFITS

- CRI 90 as standard
- Color temperature: PI-LED
- Great variety of optics – 8 angles from narrow beams to flood beams
- Luminaire efficiency: 54lm/W @4000K



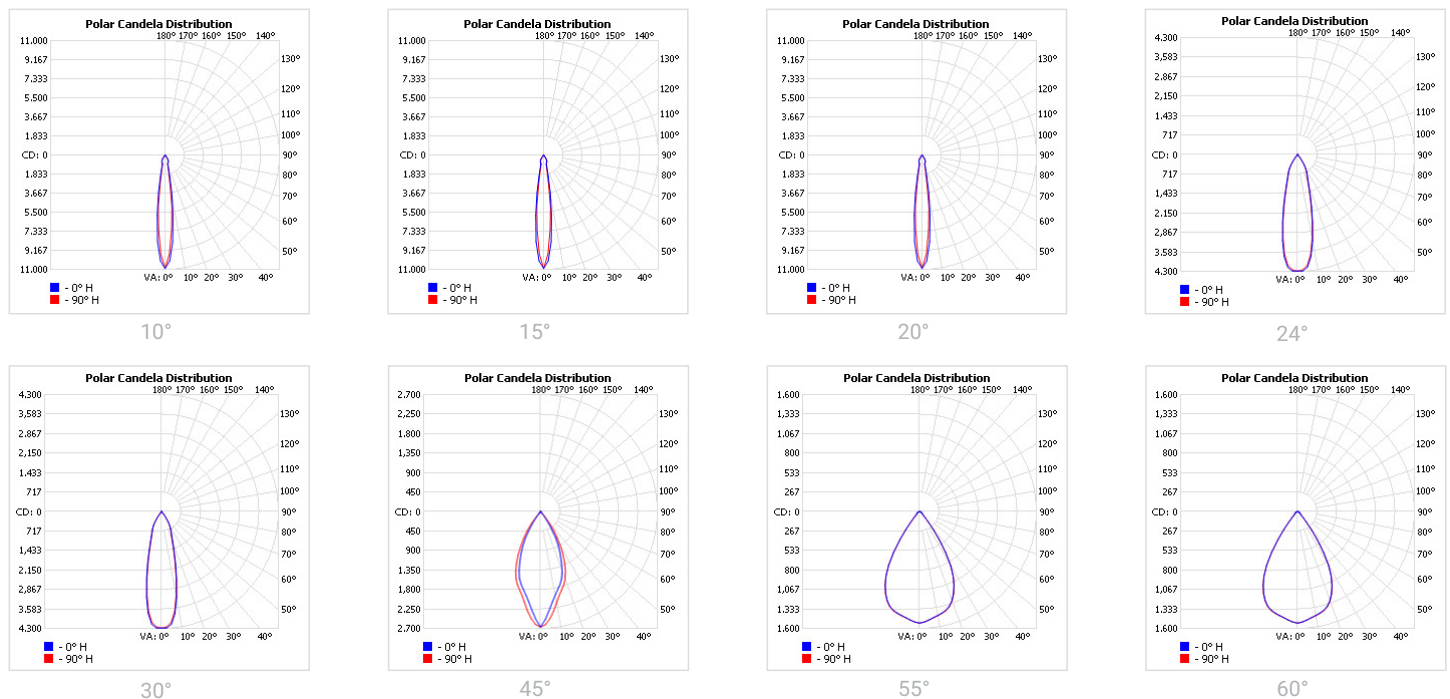
SPECIFICATIONS

Power consumption	26W		
Dimensions	D140xH180mm±1mm	D180xH200mm±1mm	D220xH240mm±1mm
Weight	1.3 Kg	1.9 Kg	2 Kg
Housing materials	Aluminium, Glass		
IK code	IK02		
THD (at 230V, 50Hz, Full load)	<8%		
Protection class	Safety class 1		
Operating temperature [°C]	+10°C ... +45°C / +50F ... +113F		
Operating humidity [%]	10 ÷ 85		
Power factor	≥0.85		
AC Input [Vac]	220 - 240 VAC		
Lens angle [°]	10°, 15°, 20°, 24°, 30°, 45°, 55°, 60°		
Lifespan [h]	50,000		
Housing color	○ RAL 9003 - Signal White, ● RAL 9005 - Jet Black, ● RAL 9006 - White Aluminium		
Lumen maintenance	L70/B10@50,000h at 25°C		
IP factor (general)	IP20		
Control option	DALI		
Warranty [years]	5		
Storage temperature range [°C]	-20°C ... +80°C / -4F ... +176F		
Emergency option	-		

#	Standard
CRI	CRI90
CCT [K]	PI
MacAdam	1

CRI - Color rendering, CCT - Color temperature, MacAdam - Color consistency

LIGHT DISTRIBUTION



TOLERANCES**Luminous flux tolerances:** -/+ 5%**Consumption tolerance:** -/+ 5% for Non-DALI | -/+ 10% for Non-DALI & KIT EM | -/+ 10% for DALI | -/+ 15% for DALI & KIT EM**BATTERY WARRANTY****Non-DALI EM & DALI EM:** 12 months warranty**Non-DALI & DALI:** -**MAXIMUM NO. OF LUMINAIRES ON A CIRCUIT**

Luminaire Power(W)	Control type	Circuit Breaker Type					
		B			C		
		20	16	10	20	16	10
8-20W	Non-DALI	62	50	31	104	85	52
23-35W	Non-DALI	24	20	10	47	40	20
42W	Non-DALI	20	16	8	38	32	16
8-20W	DALI	62	50	31	104	85	52
23-27W	DALI	25	21	13	50	42	26
34-42W	DALI	17	14	9	34	28	18

RISK GROUP

Standard (CRI80)	RG1
FOOD (BVF, FBS, FSM)	RG1
FOOD ≤35W (FZM, FSH)	RG1
FOOD >35W (FZM, FSH)	RG2
FAS	RG1
AMB2200	RG1
ART	RG1
AGI	RG1
CRI90	RG1
CRI95	RG1
ENT	RG1

RG1

The evaluation of photobiological safety is carried out according to the standard IEC 62471:2008 ("Photobiological safety of lamps and lamp systems"). Following the definition of the risk grouping system of the mentioned IEC standard, the LEDs mounted on this family fall into the class "Low Risk (RG1 – No photobiological hazard under normal behavioral limitations)". Under real circumstances (regarding exposure time, pupils, observation distance), it is assumed that there is no endangerment to the eye from these devices. As a matter of principle, however, it should be mentioned that intense light sources have a high secondary exposure potential due to their blinding effect.

RG2

The evaluation of photobiological safety is carried out according to the standard IEC 62471:2008 ("Photobiological safety of lamps and lamp systems"). Following the definition of the risk grouping system of the mentioned IEC standard, the LEDs mounted on this family fall into the class "Moderate Risk (RG2)". Under real circumstances (regarding exposure time, pupils, observation distance), it is assumed that there is no endangerment to the eye from these devices. As a matter of principle, however, it should be mentioned that intense light sources have a high secondary exposure potential due to their blinding effect.

SKU SPECIFICATIONS

Product Code	Dimensions (mm)	CCT (K)	Lumens (lm)	Power (W)	Eff. (lm/watt)	Lens Angle (°)
CRI 90						
232651 Amyas C31400/PI/26W/90/A10	D140 x H180 ±1mm	PI	1400	26W	54	10°
232652 Amyas C31400/PI/26W/90/A24	D140 x H180 ±1mm	PI	1400	26W	54	24°
232653 Amyas C31400/PI/26W/90/A55	D140 x H180 ±1mm	PI	1400	26W	54	55°
232654 Amyas C31800/PI/26W/90/A20	D180 x H200 ±1mm	PI	1400	26W	54	20°
232655 Amyas C31800/PI/26W/90/A30	D180 x H200 ±1mm	PI	1400	26W	54	30°
232656 Amyas C31800/PI/26W/90/A45	D180 x H200 ±1mm	PI	1400	26W	54	45°
232657 Amyas C31800/PI/26W/90/A55	D180 x H200 ±1mm	PI	1400	26W	54	55°
232658 Amyas C32200/PI/26W/90/A15	D220 x H240 ±1mm	PI	1400	26W	54	15°
232659 Amyas C32200/PI/26W/90/A30	D220 x H240 ±1mm	PI	1400	26W	54	30°
232660 Amyas C32200/PI/26W/90/A45	D220 x H240 ±1mm	PI	1400	26W	54	45°
232661 Amyas C32200/PI/26W/90/A60	D220 x H240 ±1mm	PI	1400	26W	54	60°