



Freya

TRACK SPOTLIGHTS | NON-DALI SERIES

Freya is a LED framing projector, “mini” construction size. Equipped with a lens system for high quality accent lighting in museums and exhibition spaces. The objective lens is retractable from the spotlight housing to adjust the focus.

The low voltage adapter contains the electronics that converts constant voltage (48 V) to constant current for the luminaire. It rotates through 360°, pivots through 90°. Easy to mount without tools to the low voltage track.

Freya has several series, determined by various add-on and controls:

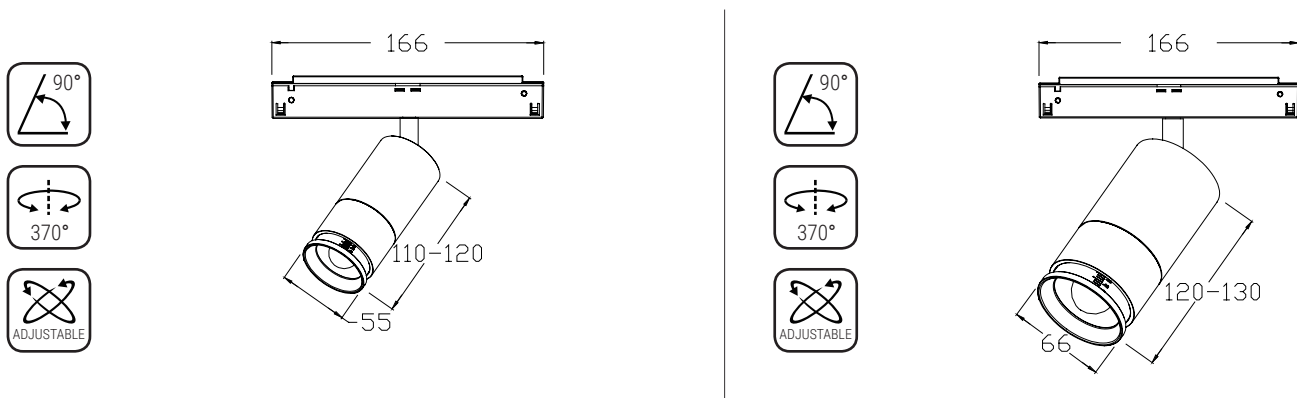
- Freya Non-DALI: the standard for any project in the retail sector
- Freya DALI: with DALI controls for illumination adjustment

FEATURES & BENEFITS

- CRI > 80 as standard
- 4 color temperatures
- Long rated life: L90/B10@50.000h
- Luminaire efficiency: 132 lm/w @4000K
- Dimmable (only for DALI Series)

APPLICATION

Grocery & Supermarket | Retail | Art & Exhibition



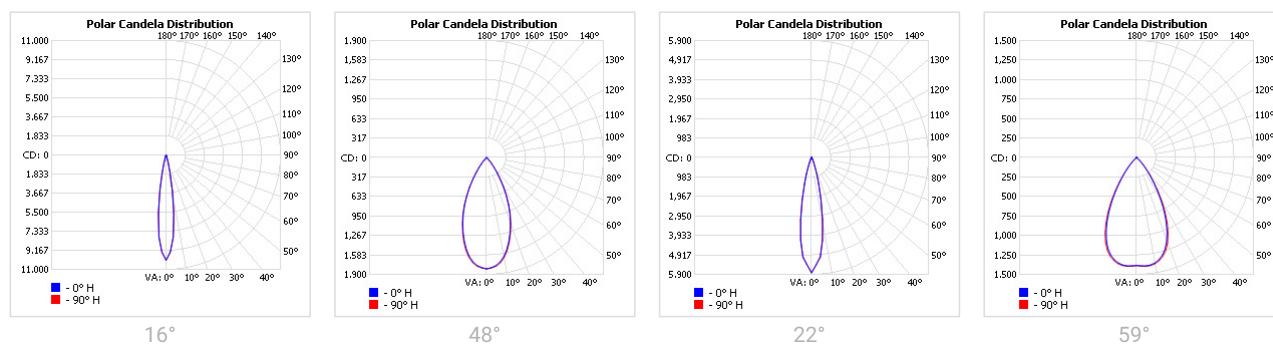
SPECIFICATIONS

Power consumption	5W, 9W, 13W	5W, 9W, 13W, 17W
Dimensions	Ø55x110/120±1mm	Ø66x120/130±1mm
Weight	0.5 Kg	0.6 Kg
Housing materials	Aluminium, Glass	
IK code	IK02	
Protection class	Safety class 1	
Operating temperature [°C]	-20°C ... +45°C / -4F ... +113F	
Operating humidity [%]	10 ÷ 85	
AC Input [Vac]	48 Vdc	
Lens angle [°]	16° - 48°	22° - 59°
Lifespan [h]	50,000	
Housing color	○ RAL 9003 - signal white, ● RAL 9005 - jet black,	
Lumen maintenance	L90/B10@50.000h at 25°C	
IP factor	IP20	
Control optional	-	
Warranty [years]	5	
Storage temperature range [°C]	-20°C ... +55°C / -4F ... +131F	
Emergency option	-	

Light application	Standard
CRI	CRI 80
CCT [K]	2700K/3000K/3500K/4000K
MacAdam	3

CRI - Color rendering, CCT - Color temperature, MacAdam - Color consistency

LIGHT DISTRIBUTION



RISK GROUP

RG1

The evaluation of photobiological safety is carried out according to the standard IEC 62471:2008 ("Photobiological safety of lamps and lamp systems"). Following the definition of the risk grouping system of the mentioned IEC standard, the LEDs mounted on this family fall into the class "Low Risk (RG1 – No photobiological hazard under normal behavioral limitations)". Under real circumstances (regarding exposure time, pupils, observation distance), it is assumed that there is no endangerment to the eye from these devices. As a matter of principle, however, it should be mentioned that intense light sources have a high secondary exposure potential due to their blinding effect.

SKU SPECIFICATIONS

Product Code	Dimensions (mm)	CCT (K)	Lumens (lm)	Power (W)	Eff. (lm/watt)	Lens Angle (°)
CRI 80						
1B0000 Freya M AG9110/2700/5W/80/AVAR	Ø55x110/120±1mm	2700	590	5W	118	AVAR
1B0001 Freya M AG9110/3000/5W/80/AVAR	Ø55x110/120±1mm	3000	620	5W	124	AVAR
1B0002 Freya M AG9110/3500/5W/80/AVAR	Ø55x110/120±1mm	3500	640	5W	128	AVAR
1B0003 Freya M AG9110/4000/5W/80/AVAR	Ø55x110/120±1mm	4000	650	5W	130	AVAR
1B0004 Freya M AG9110/2700/9W/80/AVAR	Ø55x110/120±1mm	2700	1050	9W	117	AVAR
1B0005 Freya M AG9110/3000/9W/80/AVAR	Ø55x110/120±1mm	3000	1100	9W	123	AVAR
1B0006 Freya M AG9110/3500/9W/80/AVAR	Ø55x110/120±1mm	3500	1130	9W	126	AVAR
1B0007 Freya M AG9110/4000/9W/80/AVAR	Ø55x110/120±1mm	4000	1155	9W	129	AVAR
1B0008 Freya M AG9110/2700/13W/80/AVAR	Ø55x110/120±1mm	2700	1420	13W	110	AVAR
1B0009 Freya M AG9110/3000/13W/80/AVAR	Ø55x110/120±1mm	3000	1495	13W	115	AVAR
1B0010 Freya M AG9110/3500/13W/80/AVAR	Ø55x110/120±1mm	3500	1535	13W	119	AVAR
1B0011 Freya M AG9110/4000/13W/80/AVAR	Ø55x110/120±1mm	4000	1570	13W	121	AVAR
1B0012 Freya L AG9111/2700/5W/80/AVAR	Ø66x120/130±1mm	2700	595	5W	119	AVAR
1B0013 Freya L AG9111/3000/5W/80/AVAR	Ø66x120/130±1mm	3000	625	5W	125	AVAR
1B0014 Freya L AG9111/3500/5W/80/AVAR	Ø66x120/130±1mm	3500	645	5W	129	AVAR
1B0015 Freya L AG9111/4000/5W/80/AVAR	Ø66x120/130±1mm	4000	660	5W	132	AVAR
1B0016 Freya L AG9111/2700/9W/80/AVAR	Ø66x120/130±1mm	2700	1075	9W	120	AVAR
1B0017 Freya L AG9111/3000/9W/80/AVAR	Ø66x120/130±1mm	3000	1125	9W	125	AVAR
1B0018 Freya L AG9111/3500/9W/80/AVAR	Ø66x120/130±1mm	3500	1160	9W	129	AVAR
1B0019 Freya L AG9111/4000/9W/80/AVAR	Ø66x120/130±1mm	4000	1185	9W	132	AVAR
1B0020 Freya L AG9111/2700/13W/80/AVAR	Ø66x120/130±1mm	2700	1455	13W	112	AVAR
1B0021 Freya L AG9111/3000/13W/80/AVAR	Ø66x120/130±1mm	3000	1525	13W	118	AVAR
1B0022 Freya L AG9111/3500/13W/80/AVAR	Ø66x120/130±1mm	3500	1570	13W	121	AVAR
1B0023 Freya L AG9111/4000/13W/80/AVAR	Ø66x120/130±1mm	4000	1605	13W	124	AVAR
1B0024 Freya L AG9111/2700/17W/80/AVAR	Ø66x120/130±1mm	2700	1815	17W	107	AVAR
1B0025 Freya L AG9111/3000/17W/80/AVAR	Ø66x120/130±1mm	3000	1905	17W	113	AVAR
1B0026 Freya L AG9111/3500/17W/80/AVAR	Ø66x120/130±1mm	3500	1960	17W	116	AVAR
1B0027 Freya L AG9111/4000/17W/80/AVAR	Ø66x120/130±1mm	4000	2000	17W	118	AVAR