



Dalia

TRACK SPOTLIGHTS | DALI SERIES

Spotlight with one LED spotlight units, "mini" construction size. Dalia is equipped with a lens system for high quality accent lighting in museums and exhibition spaces.

The low voltage adapter contains the electronics that converts constant voltage (48 V) to constant current for the luminaire. It rotates through 360°, pivots through 90°. Easy to mount without tools to the low voltage track.

Dalia has several series, determined by various add-on and controls:

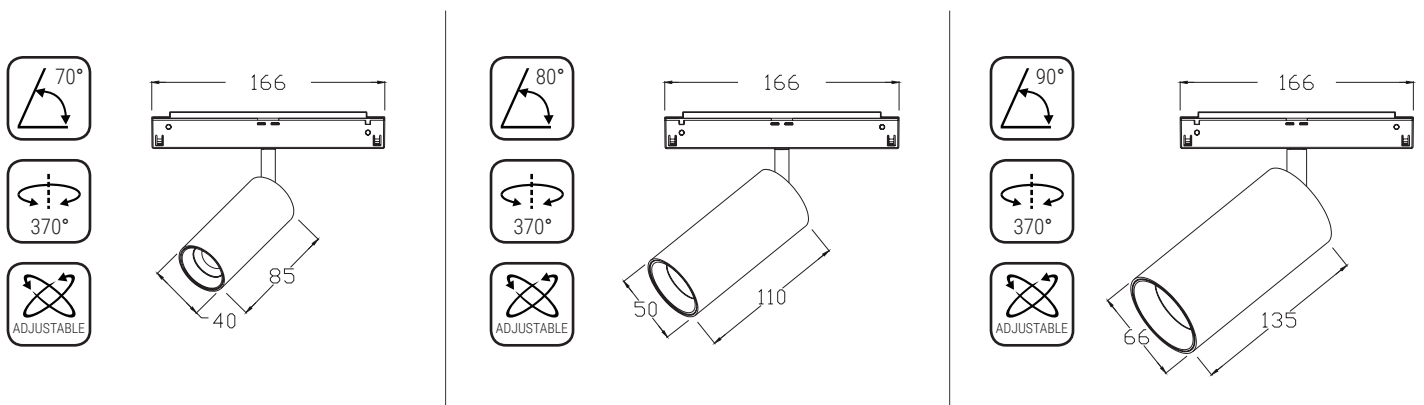
- Dalia Non-DALI: the standard for any project in the retail sector
- **Dalia DALI: with DALI controls for illumination adjustment**

APPLICATION

Grocery & Supermarket | Retail | Art & Exhibition

FEATURES & BENEFITS

- CRI > 80 as standard, up to 93 for certain special colors
- 8 color temperatures, including specialized options for ambiance and AGI light
- Long rated life: L90/B10@50.000h
- Luminaire efficiency: 117 lm/w @4000K
- Dimmable



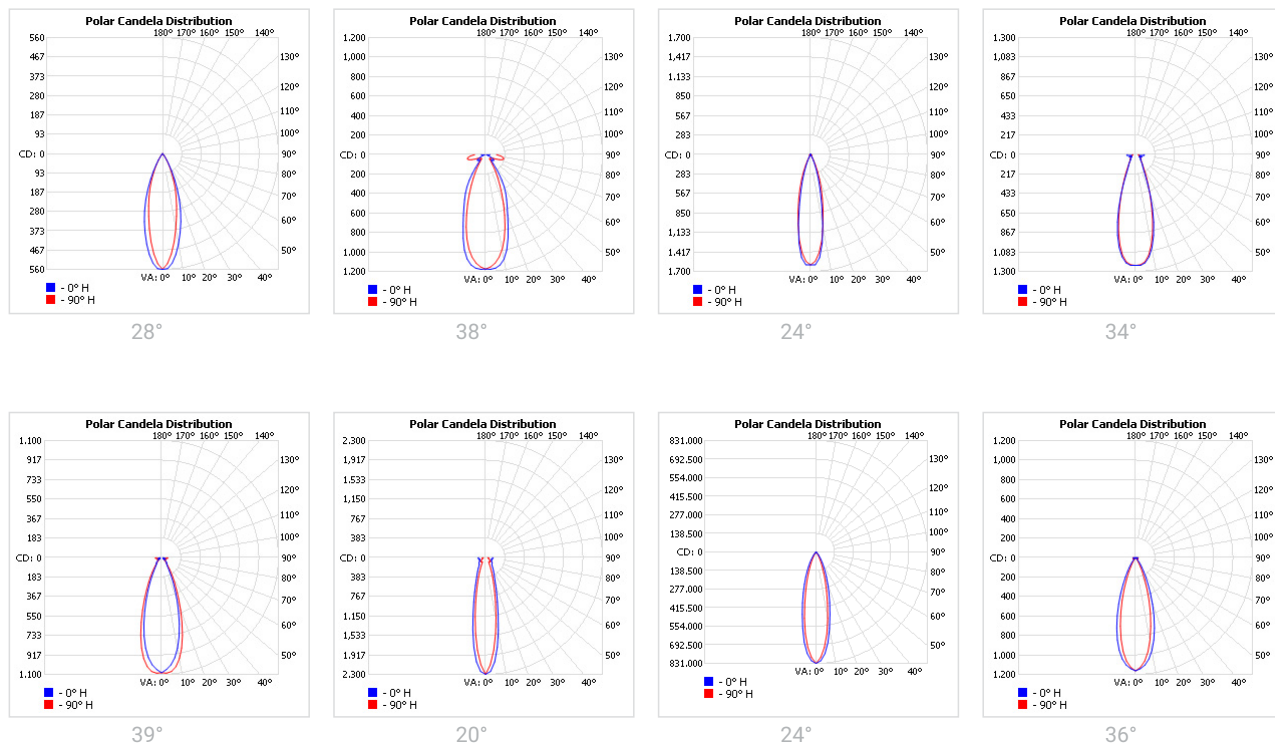
SPECIFICATIONS

Power consumption	4W, 7W, 9W, 10W	4W, 5W, 7W, 10W, 11W, 14W	7W, 9W, 10W, 13W, 15W, 17W, 18W
Dimensions	Ø40x85±1mm	Ø50x110±1mm	Ø58x130±1mm
Weight	0.3 Kg	0.4 Kg	0.5 Kg
Housing materials	Aluminium, Glass		
IK code	IK02		
Protection class	Safety class 1		
Operating temperature [°C]	-20°C ... +45°C / -4F ... +113F		
Operating humidity [%]	10 ÷ 85		
AC Input [Vac]	48 Vdc		
Lens angle [°]	28°, 38°	24°, 34°, 39°	20°, 24°, 36°
Lifespan [h]	50,000		
Housing color	○ RAL 9003 - signal white, ● RAL 9005 - jet black,		
Lumen maintenance	L90/B10@50.000h at 25°C		
IP factor	IP20		
Control optional	DALI		
Warranty [years]	5		
Storage temperature range [°C]	-20°C ... +55°C / -4F ... +131F		
Emergency option	-		

Light application	Standard	AMB	AGI
CRI	CRI 80	CRI 80	CRI 93
CCT [K]	2700K/3000K/3500K/4000K	2200K	AGI3000/AGI3500/AGI4000
MacAdam	3	3	3

CRI - Color rendering, CCT - Color temperature, MacAdam - Color consistency

LIGHT DISTRIBUTION



RISK GROUP

RG1

The evaluation of photobiological safety is carried out according to the standard IEC 62471:2008 ("Photobiological safety of lamps and lamp systems"). Following the definition of the risk grouping system of the mentioned IEC standard, the LEDs mounted on this family fall into the class "Low Risk (RG1 – No photobiological hazard under normal behavioral limitations)". Under real circumstances (regarding exposure time, pupils, observation distance), it is assumed that there is no endangerment to the eye from these devices. As a matter of principle, however, it should be mentioned that intense light sources have a high secondary exposure potential due to their blinding effect.

SKU SPECIFICATIONS

Product Code	Dimensions (mm)	CCT (K)	Lumens (lm)	Power (W)	Eff. (lm/watt)	Lens Angle (°)
CRI 80						
2A8000 Dalia S AG9101/2700/4W/80/A28	Ø40x85±1mm	2700	325	4W	82	28°
2A8001 Dalia S AG9101/3000/4W/80/A28	Ø40x85±1mm	3000	345	4W	87	28°
2A8002 Dalia S AG9101/3500/4W/80/A28	Ø40x85±1mm	3500	355	4W	89	28°
2A8003 Dalia S AG9101/4000/4W/80/A28	Ø40x85±1mm	4000	360	4W	90	28°
2A8004 Dalia S AG9101/2700/4W/80/A38	Ø40x85±1mm	2700	325	4W	82	38°
2A8005 Dalia S AG9101/3000/4W/80/A38	Ø40x85±1mm	3000	345	4W	87	38°
2A8006 Dalia S AG9101/3500/4W/80/A38	Ø40x85±1mm	3500	355	4W	89	38°
2A8007 Dalia S AG9101/4000/4W/80/A38	Ø40x85±1mm	4000	360	4W	90	38°
2A8008 Dalia S AG9101/2700/9W/80/A28	Ø40x85±1mm	2700	705	9W	79	28°
2A8009 Dalia S AG9101/3000/9W/80/A28	Ø40x85±1mm	3000	740	9W	83	28°
2A8010 Dalia S AG9101/3500/9W/80/A28	Ø40x85±1mm	3500	760	9W	85	28°
2A8011 Dalia S AG9101/4000/9W/80/A28	Ø40x85±1mm	4000	775	9W	87	28°
2A8012 Dalia S AG9101/2700/9W/80/A38	Ø40x85±1mm	2700	705	9W	79	38°
2A8013 Dalia S AG9101/3000/9W/80/A38	Ø40x85±1mm	3000	740	9W	83	38°
2A8014 Dalia S AG9101/3500/9W/80/A38	Ø40x85±1mm	3500	760	9W	85	38°
2A8015 Dalia S AG9101/4000/9W/80/A38	Ø40x85±1mm	4000	775	9W	87	38°
2A8016 Dalia M AG9102/2700/5W/80/A24	Ø50x110±1mm	2700	485	5W	97	24°
2A8017 Dalia M AG9102/3000/5W/80/A24	Ø50x110±1mm	3000	510	5W	102	24°
2A8018 Dalia M AG9102/3500/5W/80/A24	Ø50x110±1mm	3500	525	5W	105	24°
2A8019 Dalia M AG9102/4000/5W/80/A24	Ø50x110±1mm	4000	535	5W	107	24°
2A8020 Dalia M AG9102/2700/5W/80/A34	Ø50x110±1mm	2700	485	5W	97	34°
2A8021 Dalia M AG9102/3000/5W/80/A34	Ø50x110±1mm	3000	510	5W	102	34°
2A8022 Dalia M AG9102/3500/5W/80/A34	Ø50x110±1mm	3500	525	5W	105	34°
2A8023 Dalia M AG9102/4000/5W/80/A34	Ø50x110±1mm	4000	535	5W	107	34°
2A8024 Dalia M AG9102/2700/5W/80/A39	Ø50x110±1mm	2700	485	5W	97	39°
2A8025 Dalia M AG9102/3000/5W/80/A39	Ø50x110±1mm	3000	510	5W	102	39°
2A8026 Dalia M AG9102/3500/5W/80/A39	Ø50x110±1mm	3500	525	5W	105	39°
2A8027 Dalia M AG9102/4000/5W/80/A39	Ø50x110±1mm	4000	535	5W	107	39°
2A8028 Dalia M AG9102/2700/10W/80/A24	Ø50x110±1mm	2700	860	10W	96	24°
2A8029 Dalia M AG9102/3000/10W/80/A24	Ø50x110±1mm	3000	900	10W	100	24°
2A8030 Dalia M AG9102/3500/10W/80/A24	Ø50x110±1mm	3500	930	10W	104	24°
2A8031 Dalia M AG9102/4000/10W/80/A24	Ø50x110±1mm	4000	945	10W	105	24°
2A8032 Dalia M AG9102/2700/10W/80/A34	Ø50x110±1mm	2700	860	10W	96	34°
2A8033 Dalia M AG9102/3000/10W/80/A34	Ø50x110±1mm	3000	900	10W	100	34°
2A8034 Dalia M AG9102/3500/10W/80/A34	Ø50x110±1mm	3500	930	10W	104	34°
2A8035 Dalia M AG9102/4000/10W/80/A34	Ø50x110±1mm	4000	945	10W	105	34°
2A8036 Dalia M AG9102/2700/10W/80/A39	Ø50x110±1mm	2700	860	10W	96	39°
2A8037 Dalia M AG9102/3000/10W/80/A39	Ø50x110±1mm	3000	900	10W	100	39°
2A8038 Dalia M AG9102/3500/10W/80/A39	Ø50x110±1mm	3500	930	10W	104	39°
2A8039 Dalia M AG9102/4000/10W/80/A39	Ø50x110±1mm	4000	945	10W	105	39°
2A8040 Dalia M AG9102/2700/14W/80/A24	Ø50x110±1mm	2700	1170	14W	90	24°
2A8041 Dalia M AG9102/3000/14W/80/A24	Ø50x110±1mm	3000	1230	14W	95	24°
2A8042 Dalia M AG9102/3500/14W/80/A24	Ø50x110±1mm	3500	1265	14W	98	24°
2A8043 Dalia M AG9102/4000/14W/80/A24	Ø50x110±1mm	4000	1290	14W	100	24°
2A8044 Dalia M AG9102/2700/14W/80/A34	Ø50x110±1mm	2700	1170	14W	90	34°
2A8045 Dalia M AG9102/3000/14W/80/A34	Ø50x110±1mm	3000	1230	14W	95	34°
2A8046 Dalia M AG9102/3500/14W/80/A34	Ø50x110±1mm	3500	1265	14W	98	34°
2A8047 Dalia M AG9102/4000/14W/80/A34	Ø50x110±1mm	4000	1290	14W	100	34°
2A8048 Dalia M AG9102/2700/14W/80/A39	Ø50x110±1mm	2700	1170	14W	90	39°
2A8049 Dalia M AG9102/3000/14W/80/A39	Ø50x110±1mm	3000	1230	14W	95	39°

SKU SPECIFICATIONS

Product Code	Dimensions (mm)	CCT (K)	Lumens (lm)	Power (W)	Eff. (lm/watt)	Lens Angle (°)
CRI 80						
2A8050 Dalia M AG9102/3500/14W/80/A39	Ø50x110±1mm	3500	1265	14W	98	39°
2A8051 Dalia M AG9102/4000/14W/80/A39	Ø50x110±1mm	4000	1290	14W	100	39°
2A8052 Dalia L AG9103/2700/9W/80/A20	Ø58x130±1mm	2700	515	9W	103	20°
2A8053 Dalia L AG9103/3000/9W/80/A20	Ø58x130±1mm	3000	540	9W	108	20°
2A8054 Dalia L AG9103/3500/9W/80/A20	Ø58x130±1mm	3500	555	9W	111	20°
2A8055 Dalia L AG9103/4000/9W/80/A20	Ø58x130±1mm	4000	565	9W	113	20°
2A8056 Dalia L AG9103/2700/9W/80/A24	Ø58x130±1mm	2700	515	9W	103	24°
2A8057 Dalia L AG9103/3000/9W/80/A24	Ø58x130±1mm	3000	540	9W	108	24°
2A8058 Dalia L AG9103/3500/9W/80/A24	Ø58x130±1mm	3500	555	9W	111	24°
2A8059 Dalia L AG9103/4000/9W/80/A24	Ø58x130±1mm	4000	565	9W	113	24°
2A8060 Dalia L AG9103/2700/9W/80/A36	Ø58x130±1mm	2700	515	9W	103	36°
2A8061 Dalia L AG9103/3000/9W/80/A36	Ø58x130±1mm	3000	540	9W	108	36°
2A8062 Dalia L AG9103/3500/9W/80/A36	Ø58x130±1mm	3500	555	9W	111	36°
2A8063 Dalia L AG9103/4000/9W/80/A36	Ø58x130±1mm	4000	565	9W	113	36°
2A8064 Dalia L AG9103/2700/13W/80/A20	Ø58x130±1mm	2700	950	13W	106	20°
2A8065 Dalia L AG9103/3000/13W/80/A20	Ø58x130±1mm	3000	1000	13W	112	20°
2A8066 Dalia L AG9103/3500/13W/80/A20	Ø58x130±1mm	3500	1025	13W	114	20°
2A8067 Dalia L AG9103/4000/13W/80/A20	Ø58x130±1mm	4000	1050	13W	117	20°
2A8068 Dalia L AG9103/2700/13W/80/A24	Ø58x130±1mm	2700	950	13W	106	24°
2A8069 Dalia L AG9103/3000/13W/80/A24	Ø58x130±1mm	3000	1000	13W	112	24°
2A8070 Dalia L AG9103/3500/13W/80/A24	Ø58x130±1mm	3500	1025	13W	114	24°
2A8071 Dalia L AG9103/4000/13W/80/A24	Ø58x130±1mm	4000	1050	13W	117	24°
2A8072 Dalia L AG9103/2700/13W/80/A36	Ø58x130±1mm	2700	950	13W	106	36°
2A8073 Dalia L AG9103/3000/13W/80/A36	Ø58x130±1mm	3000	1000	13W	112	36°
2A8074 Dalia L AG9103/3500/13W/80/A36	Ø58x130±1mm	3500	1025	13W	114	36°
2A8075 Dalia L AG9103/4000/13W/80/A36	Ø58x130±1mm	4000	1050	13W	117	36°
2A8076 Dalia L AG9103/2700/17W/80/A20	Ø58x130±1mm	2700	1280	17W	99	20°
2A8077 Dalia L AG9103/3000/17W/80/A20	Ø58x130±1mm	3000	1345	17W	104	20°
2A8078 Dalia L AG9103/3500/17W/80/A20	Ø58x130±1mm	3500	1385	17W	107	20°
2A8079 Dalia L AG9103/4000/17W/80/A20	Ø58x130±1mm	4000	1415	17W	109	20°
2A8080 Dalia L AG9103/2700/17W/80/A24	Ø58x130±1mm	2700	1280	17W	99	24°
2A8081 Dalia L AG9103/3000/17W/80/A24	Ø58x130±1mm	3000	1345	17W	104	24°
2A8082 Dalia L AG9103/3500/17W/80/A24	Ø58x130±1mm	3500	1385	17W	107	24°
2A8083 Dalia L AG9103/4000/17W/80/A24	Ø58x130±1mm	4000	1415	17W	109	24°
2A8084 Dalia L AG9103/2700/17W/80/A36	Ø58x130±1mm	2700	1280	17W	99	36°
2A8085 Dalia L AG9103/3000/17W/80/A36	Ø58x130±1mm	3000	1345	17W	104	36°
2A8086 Dalia L AG9103/3500/17W/80/A36	Ø58x130±1mm	3500	1385	17W	107	36°
2A8087 Dalia L AG9103/4000/17W/80/A36	Ø58x130±1mm	4000	1415	17W	109	36°
2A8088 Dalia S AG9101/AMB2200/4W/80/A28	Ø40x85±1mm	AMB2200	280	4W	70	28°
2A8089 Dalia S AG9101/AMB2200/4W/80/A38	Ø40x85±1mm	AMB2200	280	4W	70	38°
2A8090 Dalia S AG9101/AMB2200/9W/80/A28	Ø40x85±1mm	AMB2200	610	9W	68	28°
2A8091 Dalia S AG9101/AMB2200/9W/80/A38	Ø40x85±1mm	AMB2200	610	9W	68	38°
2A8092 Dalia M AG9102/AMB2200/5W/80/A24	Ø50x110±1mm	AMB2200	380	5W	76	24°
2A8093 Dalia M AG9102/AMB2200/5W/80/A34	Ø50x110±1mm	AMB2200	380	5W	76	34°
2A8094 Dalia M AG9102/AMB2200/5W/80/A39	Ø50x110±1mm	AMB2200	380	5W	76	39°
2A8095 Dalia M AG9102/AMB2200/10W/80/A24	Ø50x110±1mm	AMB2200	705	10W	71	24°
2A8096 Dalia M AG9102/AMB2200/10W/80/A34	Ø50x110±1mm	AMB2200	705	10W	71	34°
2A8097 Dalia M AG9102/AMB2200/10W/80/A39	Ø50x110±1mm	AMB2200	705	10W	71	39°
2A8098 Dalia M AG9102/AMB2200/14W/80/A24	Ø50x110±1mm	AMB2200	935	14W	67	24°
2A8099 Dalia M AG9102/AMB2200/14W/80/A34	Ø50x110±1mm	AMB2200	935	14W	67	34°

SKU SPECIFICATIONS

Product Code	Dimensions (mm)	CCT (K)	Lumens (lm)	Power (W)	Eff. (lm/watt)	Lens Angle (°)
CRI 80						
2A8100 Dalia M AG9102/AMB2200/14W/80/A39	Ø50x110±1mm	AMB2200	935	14W	67	39°
2A8101 Dalia L AG9103/AMB2200/9W/80/A20	Ø58x130±1mm	AMB2200	345	9W	87	20°
2A8102 Dalia L AG9103/AMB2200/9W/80/A24	Ø58x130±1mm	AMB2200	345	9W	87	24°
2A8103 Dalia L AG9103/AMB2200/9W/80/A36	Ø58x130±1mm	AMB2200	345	9W	87	36°
2A8104 Dalia L AG9103/AMB2200/13W/80/A20	Ø58x130±1mm	AMB2200	745	13W	83	20°
2A8105 Dalia L AG9103/AMB2200/13W/80/A24	Ø58x130±1mm	AMB2200	745	13W	83	24°
2A8106 Dalia L AG9103/AMB2200/13W/80/A36	Ø58x130±1mm	AMB2200	745	13W	83	36°
2A8107 Dalia L AG9103/AMB2200/18W/80/A20	Ø58x130±1mm	AMB2200	995	18W	77	20°
2A8108 Dalia L AG9103/AMB2200/18W/80/A24	Ø58x130±1mm	AMB2200	995	18W	77	24°
2A8109 Dalia L AG9103/AMB2200/18W/80/A36	Ø58x130±1mm	AMB2200	995	18W	77	36°
CRI 93						
2A8110 Dalia S AG9101/AGI3000/7W/93/A28	Ø40x85±1mm	AGI3000	375	7W	54	28°
2A8111 Dalia S AG9101/AGI3500/7W/93/A28	Ø40x85±1mm	AGI3500	380	7W	55	28°
2A8112 Dalia S AG9101/AGI4000/7W/93/A28	Ø40x85±1mm	AGI4000	390	7W	56	28°
2A8113 Dalia S AG9101/AGI3000/7W/93/A38	Ø40x85±1mm	AGI3000	375	7W	54	38°
2A8114 Dalia S AG9101/AGI3500/7W/93/A38	Ø40x85±1mm	AGI3500	380	7W	55	38°
2A8115 Dalia S AG9101/AGI4000/7W/93/A38	Ø40x85±1mm	AGI4000	390	7W	56	38°
2A8116 Dalia S AG9101/AGI3000/10W/93/A28	Ø40x85±1mm	AGI3000	500	10W	50	28°
2A8117 Dalia S AG9101/AGI3500/10W/93/A28	Ø40x85±1mm	AGI3500	510	10W	51	28°
2A8118 Dalia S AG9101/AGI4000/10W/93/A28	Ø40x85±1mm	AGI4000	520	10W	52	28°
2A8119 Dalia S AG9101/AGI3000/10W/93/A38	Ø40x85±1mm	AGI3000	500	10W	50	38°
2A8120 Dalia S AG9101/AGI3500/10W/93/A38	Ø40x85±1mm	AGI3500	510	10W	51	38°
2A8121 Dalia S AG9101/AGI4000/10W/93/A38	Ø40x85±1mm	AGI4000	520	10W	52	38°
2A8122 Dalia M AG9102/AGI3000/4W/93/A24	Ø50x110±1mm	AGI3000	255	4W	64	24°
2A8123 Dalia M AG9102/AGI3500/4W/93/A24	Ø50x110±1mm	AGI3500	260	4W	65	24°
2A8124 Dalia M AG9102/AGI4000/4W/93/A24	Ø50x110±1mm	AGI4000	265	4W	67	24°
2A8125 Dalia M AG9102/AGI3000/4W/93/A34	Ø50x110±1mm	AGI3000	255	4W	64	34°
2A8126 Dalia M AG9102/AGI3500/4W/93/A34	Ø50x110±1mm	AGI3500	260	4W	65	34°
2A8127 Dalia M AG9102/AGI4000/4W/93/A34	Ø50x110±1mm	AGI4000	265	4W	67	34°
2A8128 Dalia M AG9102/AGI3000/4W/93/A39	Ø50x110±1mm	AGI3000	255	4W	64	39°
2A8129 Dalia M AG9102/AGI3500/4W/93/A39	Ø50x110±1mm	AGI3500	260	4W	65	39°
2A8130 Dalia M AG9102/AGI4000/4W/93/A39	Ø50x110±1mm	AGI4000	265	4W	67	39°
2A8131 Dalia M AG9102/AGI3000/7W/93/A24	Ø50x110±1mm	AGI3000	460	7W	66	24°
2A8132 Dalia M AG9102/AGI3500/7W/93/A24	Ø50x110±1mm	AGI3500	470	7W	68	24°
2A8133 Dalia M AG9102/AGI4000/7W/93/A24	Ø50x110±1mm	AGI4000	480	7W	69	24°
2A8134 Dalia M AG9102/AGI3000/7W/93/A34	Ø50x110±1mm	AGI3000	460	7W	66	34°
2A8135 Dalia M AG9102/AGI3500/7W/93/A34	Ø50x110±1mm	AGI3500	470	7W	68	34°
2A8136 Dalia M AG9102/AGI4000/7W/93/A34	Ø50x110±1mm	AGI4000	480	7W	69	34°
2A8137 Dalia M AG9102/AGI3000/7W/93/A39	Ø50x110±1mm	AGI3000	460	7W	66	39°
2A8138 Dalia M AG9102/AGI3500/7W/93/A39	Ø50x110±1mm	AGI3500	470	7W	68	39°
2A8139 Dalia M AG9102/AGI4000/7W/93/A39	Ø50x110±1mm	AGI4000	480	7W	69	39°
2A8140 Dalia M AG9102/AGI3000/11W/93/A24	Ø50x110±1mm	AGI3000	615	11W	56	24°
2A8141 Dalia M AG9102/AGI3500/11W/93/A24	Ø50x110±1mm	AGI3500	625	11W	57	24°
2A8142 Dalia M AG9102/AGI4000/11W/93/A24	Ø50x110±1mm	AGI4000	640	11W	59	24°
2A8143 Dalia M AG9102/AGI3000/11W/93/A34	Ø50x110±1mm	AGI3000	615	11W	56	34°
2A8144 Dalia M AG9102/AGI3500/11W/93/A34	Ø50x110±1mm	AGI3500	625	11W	57	34°
2A8145 Dalia M AG9102/AGI4000/11W/93/A34	Ø50x110±1mm	AGI4000	640	11W	59	34°
2A8146 Dalia M AG9102/AGI3000/11W/93/A39	Ø50x110±1mm	AGI3000	615	11W	56	39°
2A8147 Dalia M AG9102/AGI3500/11W/93/A39	Ø50x110±1mm	AGI3500	625	11W	57	39°

SKU SPECIFICATIONS

Product Code	Dimensions (mm)	CCT (K)	Lumens (lm)	Power (W)	Eff. (lm/watt)	Lens Angle (°)
CRI 93						
2A8148 Dalia M AG9102/AGI4000/11W/93/A39	Ø50x110±1mm	AGI4000	640	11W	59	39°
2A8149 Dalia M AG9102/AGI3000/14W/93/A24	Ø50x110±1mm	AGI3000	745	14W	54	24°
2A8150 Dalia M AG9102/AGI3500/14W/93/A24	Ø50x110±1mm	AGI3500	760	14W	55	24°
2A8151 Dalia M AG9102/AGI4000/14W/93/A24	Ø50x110±1mm	AGI4000	775	14W	56	24°
2A8152 Dalia M AG9102/AGI3000/14W/93/A34	Ø50x110±1mm	AGI3000	745	14W	54	34°
2A8153 Dalia M AG9102/AGI3500/14W/93/A34	Ø50x110±1mm	AGI3500	760	14W	55	34°
2A8154 Dalia M AG9102/AGI4000/14W/93/A34	Ø50x110±1mm	AGI4000	775	14W	56	34°
2A8155 Dalia M AG9102/AGI3000/14W/93/A39	Ø50x110±1mm	AGI3000	745	14W	54	39°
2A8156 Dalia M AG9102/AGI3500/14W/93/A39	Ø50x110±1mm	AGI3500	760	14W	55	39°
2A8157 Dalia M AG9102/AGI4000/14W/93/A39	Ø50x110±1mm	AGI4000	775	14W	56	39°
2A8158 Dalia L AG9103/AGI3000/7W/93/A20	Ø58x130±1mm	AGI3000	485	7W	70	20°
2A8159 Dalia L AG9103/AGI3500/7W/93/A20	Ø58x130±1mm	AGI3500	495	7W	71	20°
2A8160 Dalia L AG9103/AGI4000/7W/93/A20	Ø58x130±1mm	AGI4000	505	7W	73	20°
2A8161 Dalia L AG9103/AGI3000/7W/93/A24	Ø58x130±1mm	AGI3000	485	7W	70	24°
2A8162 Dalia L AG9103/AGI3500/7W/93/A24	Ø58x130±1mm	AGI3500	495	7W	71	24°
2A8163 Dalia L AG9103/AGI4000/7W/93/A24	Ø58x130±1mm	AGI4000	505	7W	73	24°
2A8164 Dalia L AG9103/AGI3000/7W/93/A36	Ø58x130±1mm	AGI3000	485	7W	70	36°
2A8165 Dalia L AG9103/AGI3500/7W/93/A36	Ø58x130±1mm	AGI3500	495	7W	71	36°
2A8166 Dalia L AG9103/AGI4000/7W/93/A36	Ø58x130±1mm	AGI4000	505	7W	73	36°
2A8167 Dalia L AG9103/AGI3000/10W/93/A20	Ø58x130±1mm	AGI3000	645	10W	65	20°
2A8168 Dalia L AG9103/AGI3500/10W/93/A20	Ø58x130±1mm	AGI3500	660	10W	66	20°
2A8169 Dalia L AG9103/AGI4000/10W/93/A20	Ø58x130±1mm	AGI4000	670	10W	67	20°
2A8170 Dalia L AG9103/AGI3000/10W/93/A24	Ø58x130±1mm	AGI3000	645	10W	65	24°
2A8171 Dalia L AG9103/AGI3500/10W/93/A24	Ø58x130±1mm	AGI3500	660	10W	66	24°
2A8172 Dalia L AG9103/AGI4000/10W/93/A24	Ø58x130±1mm	AGI4000	670	10W	67	24°
2A8173 Dalia L AG9103/AGI3000/10W/93/A36	Ø58x130±1mm	AGI3000	645	10W	65	36°
2A8174 Dalia L AG9103/AGI3500/10W/93/A36	Ø58x130±1mm	AGI3500	660	10W	66	36°
2A8175 Dalia L AG9103/AGI4000/10W/93/A36	Ø58x130±1mm	AGI4000	670	10W	67	36°
2A8176 Dalia L AG9103/AGI3000/13W/93/A20	Ø58x130±1mm	AGI3000	795	13W	62	20°
2A8177 Dalia L AG9103/AGI3500/13W/93/A20	Ø58x130±1mm	AGI3500	810	13W	63	20°
2A8178 Dalia L AG9103/AGI4000/13W/93/A20	Ø58x130±1mm	AGI4000	830	13W	64	20°
2A8179 Dalia L AG9103/AGI3000/13W/93/A24	Ø58x130±1mm	AGI3000	795	13W	62	24°
2A8180 Dalia L AG9103/AGI3500/13W/93/A24	Ø58x130±1mm	AGI3500	810	13W	63	24°
2A8181 Dalia L AG9103/AGI4000/13W/93/A24	Ø58x130±1mm	AGI4000	830	13W	64	24°
2A8182 Dalia L AG9103/AGI3000/13W/93/A36	Ø58x130±1mm	AGI3000	795	13W	62	36°
2A8183 Dalia L AG9103/AGI3500/13W/93/A36	Ø58x130±1mm	AGI3500	810	13W	63	36°
2A8184 Dalia L AG9103/AGI4000/13W/93/A36	Ø58x130±1mm	AGI4000	830	13W	64	36°
2A8185 Dalia L AG9103/AGI3000/15W/93/A20	Ø58x130±1mm	AGI3000	855	15W	57	20°
2A8186 Dalia L AG9103/AGI3500/15W/93/A20	Ø58x130±1mm	AGI3500	875	15W	59	20°
2A8187 Dalia L AG9103/AGI4000/15W/93/A20	Ø58x130±1mm	AGI4000	890	15W	60	20°
2A8188 Dalia L AG9103/AGI3000/15W/93/A24	Ø58x130±1mm	AGI3000	855	15W	57	24°
2A8189 Dalia L AG9103/AGI3500/15W/93/A24	Ø58x130±1mm	AGI3500	875	15W	59	24°
2A8190 Dalia L AG9103/AGI4000/15W/93/A24	Ø58x130±1mm	AGI4000	890	15W	60	24°
2A8191 Dalia L AG9103/AGI3000/15W/93/A36	Ø58x130±1mm	AGI3000	855	15W	57	36°
2A8192 Dalia L AG9103/AGI3500/15W/93/A36	Ø58x130±1mm	AGI3500	875	15W	59	36°
2A8193 Dalia L AG9103/AGI4000/15W/93/A36	Ø58x130±1mm	AGI4000	890	15W	60	36°

Technical specifications can be modified without prior notice. All information is property of Greentek Lighting.

The presentation picture is for information purposes only. Latest document update: August 15, 2019 12:33 PM. www.greentek.eu