



## Iris 2

### TRACK DOWNLIGHTS | TEC SERIES

Iris 2 is a cylindrical minimal low voltage track mounted luminaire with an elegant and slim silhouette. Iris 2 possesses a unique geometrical and sleek design extends the several application options also to hospitality and residential environments.

The low voltage adapter contains the electronics that converts constant voltage (48 V) to constant current for the luminaire. Easy to mount without tools to the low voltage track.

Iris has several series, determined by various add-on and controls:

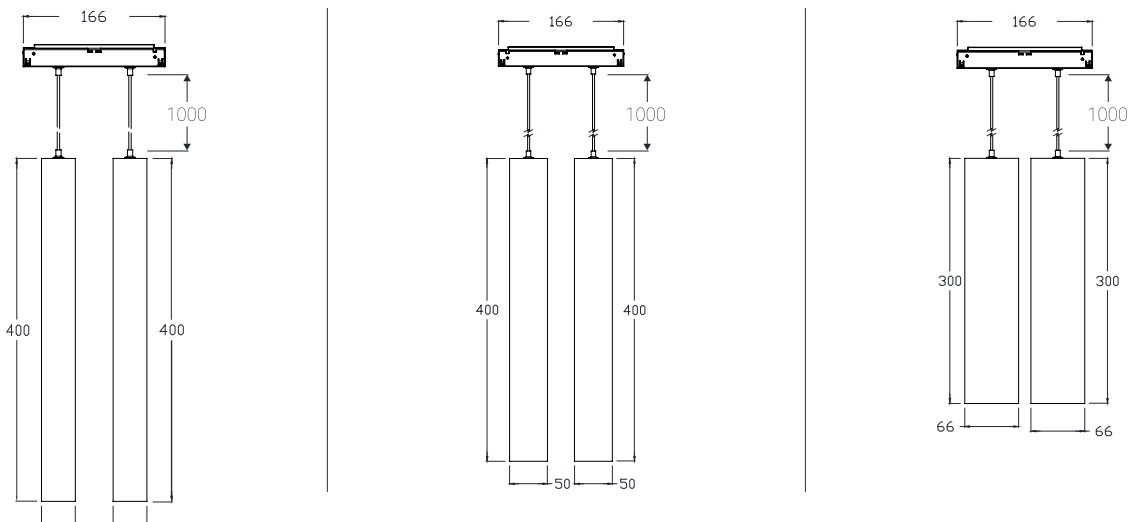
- Iris Non-DALI: the standard for any project in the retail sector
- Iris DALI: with DALI controls for illumination adjustment

### APPLICATION

Grocery & Supermarket | Retail | Art & Exhibition | Hospitality

### FEATURES & BENEFITS

- CRI > 80 as standard, up to 93 for certain special colors
- 8 color temperatures, including specialized options for ambiance and AGI light
- Long rated life: L90/B10@50.000h
- Luminaire efficiency: 117 lm/w @4000K
- Dimmable



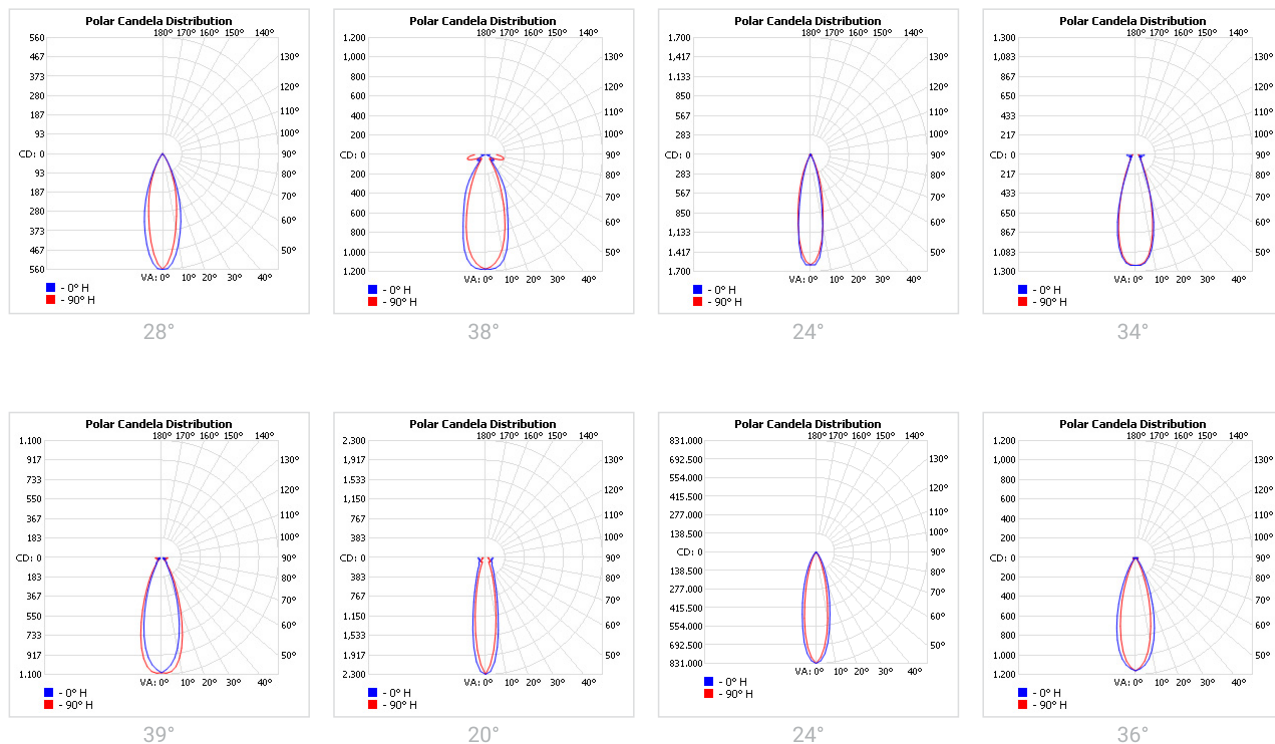
SPECIFICATIONS

Power consumption	8W, 14W, 18W, 20W	8W, 10W, 14W, 20W, 22W, 28W	14W, 18W, 20W, 26W, 34W, 36W
Dimensions	Ø40x400±1mm	Ø50x400±1mm	Ø58x300±1mm
Weight	1.4 Kg	1.6 Kg	1.6 Kg
Housing materials	Aluminium, Glass		
IK code	IK02		
Protection class	Safety class 1		
Operating temperature [°C]	-20°C ... +45°C / -4F ... +113F		
Operating humidity [%]	10 ÷ 85		
AC Input [Vac]	48 Vdc		
Lens angle [°]	28°, 38°	24°, 34°, 39°	20°, 24°, 36°
Lifespan [h]	50,000		
Housing color	○ RAL 9003 - signal white, ● RAL 9005 - jet black,		
Lumen maintenance	L90/B10@50.000h at 25°C		
IP factor	IP20		
Control optional	DALI		
Warranty [years]	5		
Storage temperature range [°C]	-20°C ... +55°C / -4F ... +131F		
Emergency option	-		

Light application	Standard	AMB	AGI
CRI	CRI 80	CRI 80	CRI 93
CCT [K]	2700K/3000K/3500K/4000K	2200K	AGI3000/AGI3500/AGI4000
MacAdam	3	3	3

CRI - Color rendering, CCT - Color temperature, MacAdam - Color consistency

LIGHT DISTRIBUTION



**RISK GROUP**

---

**RG1**

The evaluation of photobiological safety is carried out according to the standard IEC 62471:2008 ("Photobiological safety of lamps and lamp systems"). Following the definition of the risk grouping system of the mentioned IEC standard, the LEDs mounted on this family fall into the class "Low Risk (RG1 – No photobiological hazard under normal behavioral limitations)". Under real circumstances (regarding exposure time, pupils, observation distance), it is assumed that there is no endangerment to the eye from these devices. As a matter of principle, however, it should be mentioned that intense light sources have a high secondary exposure potential due to their blinding effect.

## SKU SPECIFICATIONS

Product Code	Dimensions (mm)	CCT (K)	Lumens (lm)	Power (W)	Eff. (lm/watt)	Lens Angle (°)
<b>CRI 80</b>						
2A9500 Iris 2S AG9301X2/2700/8W/80/A28	Ø40x400±1mm X2	2700	650	8W	82	20°
2A9501 Iris 2S AG9301X2/3000/8W/80/A28	Ø40x400±1mm X2	3000	690	8W	87	20°
2A9502 Iris 2S AG9301X2/3500/8W/80/A28	Ø40x400±1mm X2	3500	710	8W	89	20°
2A9503 Iris 2S AG9301X2/4000/8W/80/A28	Ø40x400±1mm X2	4000	720	8W	90	20°
2A9504 Iris 2S AG9301X2/2700/8W/80/A38	Ø40x400±1mm X2	2700	650	8W	82	30°
2A9505 Iris 2S AG9301X2/3000/8W/80/A38	Ø40x400±1mm X2	3000	690	8W	87	30°
2A9506 Iris 2S AG9301X2/3500/8W/80/A38	Ø40x400±1mm X2	3500	710	8W	89	30°
2A9507 Iris 2S AG9301X2/4000/8W/80/A38	Ø40x400±1mm X2	4000	720	8W	90	30°
2A9508 Iris 2S AG9301X2/2700/18W/80/A28	Ø40x400±1mm X2	2700	1410	18W	79	20°
2A9509 Iris 2S AG9301X2/3000/18W/80/A28	Ø40x400±1mm X2	3000	1480	18W	83	20°
2A9510 Iris 2S AG9301X2/3500/18W/80/A28	Ø40x400±1mm X2	3500	1520	18W	85	20°
2A9511 Iris 2S AG9301X2/4000/18W/80/A28	Ø40x400±1mm X2	4000	1550	18W	87	20°
2A9512 Iris 2S AG9301X2/2700/18W/80/A38	Ø40x400±1mm X2	2700	1410	18W	79	30°
2A9513 Iris 2S AG9301X2/3000/18W/80/A38	Ø40x400±1mm X2	3000	1480	18W	83	30°
2A9514 Iris 2S AG9301X2/3500/18W/80/A38	Ø40x400±1mm X2	3500	1520	18W	85	30°
2A9515 Iris 2S AG9301X2/4000/18W/80/A38	Ø40x400±1mm X2	4000	1550	18W	87	30°
2A9516 Iris 2M AG9302X2/2700/10W/80/A24	Ø50x400±1mm X2	2700	970	10W	97	15°
2A9517 Iris 2M AG9302X2/3000/10W/80/A24	Ø50x400±1mm X2	3000	1020	10W	102	15°
2A9518 Iris 2M AG9302X2/3500/10W/80/A24	Ø50x400±1mm X2	3500	1050	10W	105	15°
2A9519 Iris 2M AG9302X2/4000/10W/80/A24	Ø50x400±1mm X2	4000	1070	10W	107	15°
2A9520 Iris 2M AG9302X2/2700/10W/80/A34	Ø50x400±1mm X2	2700	970	10W	97	24°
2A9521 Iris 2M AG9302X2/3000/10W/80/A34	Ø50x400±1mm X2	3000	1020	10W	102	24°
2A9522 Iris 2M AG9302X2/3500/10W/80/A34	Ø50x400±1mm X2	3500	1050	10W	105	24°
2A9523 Iris 2M AG9302X2/4000/10W/80/A34	Ø50x400±1mm X2	4000	1070	10W	107	24°
2A9524 Iris 2M AG9302X2/2700/10W/80/A39	Ø50x400±1mm X2	2700	970	10W	97	36°
2A9525 Iris 2M AG9302X2/3000/10W/80/A39	Ø50x400±1mm X2	3000	1020	10W	102	36°
2A9526 Iris 2M AG9302X2/3500/10W/80/A39	Ø50x400±1mm X2	3500	1050	10W	105	36°
2A9527 Iris 2M AG9302X2/4000/10W/80/A39	Ø50x400±1mm X2	4000	1070	10W	107	36°
2A9528 Iris 2M AG9302X2/2700/20W/80/A24	Ø50x400±1mm X2	2700	1720	20W	96	15°
2A9529 Iris 2M AG9302X2/3000/20W/80/A24	Ø50x400±1mm X2	3000	1800	20W	100	15°
2A9530 Iris 2M AG9302X2/3500/20W/80/A24	Ø50x400±1mm X2	3500	1860	20W	104	15°
2A9531 Iris 2M AG9302X2/4000/20W/80/A24	Ø50x400±1mm X2	4000	1890	20W	105	15°
2A9532 Iris 2M AG9302X2/2700/20W/80/A34	Ø50x400±1mm X2	2700	1720	20W	96	24°
2A9533 Iris 2M AG9302X2/3000/20W/80/A34	Ø50x400±1mm X2	3000	1800	20W	100	24°
2A9534 Iris 2M AG9302X2/3500/20W/80/A34	Ø50x400±1mm X2	3500	1860	20W	104	24°
2A9535 Iris 2M AG9302X2/4000/20W/80/A34	Ø50x400±1mm X2	4000	1890	20W	105	24°
2A9536 Iris 2M AG9302X2/2700/20W/80/A39	Ø50x400±1mm X2	2700	1720	20W	96	36°
2A9537 Iris 2M AG9302X2/3000/20W/80/A39	Ø50x400±1mm X2	3000	1800	20W	100	36°
2A9538 Iris 2M AG9302X2/3500/20W/80/A39	Ø50x400±1mm X2	3500	1860	20W	104	36°
2A9539 Iris 2M AG9302X2/4000/20W/80/A39	Ø50x400±1mm X2	4000	1890	20W	105	36°
2A9540 Iris 2M AG9302X2/2700/28W/80/A24	Ø50x400±1mm X2	2700	2340	28W	90	15°
2A9541 Iris 2M AG9302X2/3000/28W/80/A24	Ø50x400±1mm X2	3000	2460	28W	95	15°
2A9542 Iris 2M AG9302X2/3500/28W/80/A24	Ø50x400±1mm X2	3500	2530	28W	98	15°
2A9543 Iris 2M AG9302X2/4000/28W/80/A24	Ø50x400±1mm X2	4000	2580	28W	100	15°
2A9544 Iris 2M AG9302X2/2700/28W/80/A34	Ø50x400±1mm X2	2700	2340	28W	90	24°
2A9545 Iris 2M AG9302X2/3000/28W/80/A34	Ø50x400±1mm X2	3000	2460	28W	95	24°
2A9546 Iris 2M AG9302X2/3500/28W/80/A34	Ø50x400±1mm X2	3500	2530	28W	98	24°
2A9547 Iris 2M AG9302X2/4000/28W/80/A34	Ø50x400±1mm X2	4000	2580	28W	100	24°
2A9548 Iris 2M AG9302X2/2700/28W/80/A39	Ø50x400±1mm X2	2700	2340	28W	90	36°
2A9549 Iris 2M AG9302X2/3000/28W/80/A39	Ø50x400±1mm X2	3000	2460	28W	95	36°
2A9550 Iris 2M AG9302X2/3500/28W/80/A39	Ø50x400±1mm X2	3500	2530	28W	98	36°
2A9551 Iris 2M AG9302X2/4000/28W/80/A39	Ø50x400±1mm X2	4000	2580	28W	100	36°

## SKU SPECIFICATIONS

Product Code	Dimensions (mm)	CCT (K)	Lumens (lm)	Power (W)	Eff. (lm/watt)	Lens Angle (°)
<b>CRI 80</b>						
2A9552 Iris 2L AG9303X2/2700/18W/80/A20	Ø58x300±1mm X2	2700	1030	18W	103	20°
2A9553 Iris 2L AG9303X2/3000/18W/80/A20	Ø58x300±1mm X2	3000	1080	18W	108	20°
2A9554 Iris 2L AG9303X2/3500/18W/80/A20	Ø58x300±1mm X2	3500	1110	18W	111	20°
2A9555 Iris 2L AG9303X2/4000/18W/80/A20	Ø58x300±1mm X2	4000	1130	18W	113	20°
2A9556 Iris 2L AG9303X2/2700/18W/80/A24	Ø58x300±1mm X2	2700	1030	18W	103	24°
2A9557 Iris 2L AG9303X2/3000/18W/80/A24	Ø58x300±1mm X2	3000	1080	18W	108	24°
2A9558 Iris 2L AG9303X2/3500/18W/80/A24	Ø58x300±1mm X2	3500	1110	18W	111	24°
2A9559 Iris 2L AG9303X2/4000/18W/80/A24	Ø58x300±1mm X2	4000	1130	18W	113	24°
2A9560 Iris 2L AG9303X2/2700/18W/80/A36	Ø58x300±1mm X2	2700	1030	18W	103	36°
2A9561 Iris 2L AG9303X2/3000/18W/80/A36	Ø58x300±1mm X2	3000	1080	18W	108	36°
2A9562 Iris 2L AG9303X2/3500/18W/80/A36	Ø58x300±1mm X2	3500	1110	18W	111	36°
2A9563 Iris 2L AG9303X2/4000/18W/80/A36	Ø58x300±1mm X2	4000	1130	18W	113	36°
2A9564 Iris 2L AG9303X2/2700/26W/80/A20	Ø58x300±1mm X2	2700	1900	26W	106	20°
2A9565 Iris 2L AG9303X2/3000/26W/80/A20	Ø58x300±1mm X2	3000	2000	26W	112	20°
2A9566 Iris 2L AG9303X2/3500/26W/80/A20	Ø58x300±1mm X2	3500	2050	26W	114	20°
2A9567 Iris 2L AG9303X2/4000/26W/80/A20	Ø58x300±1mm X2	4000	2100	26W	117	20°
2A9568 Iris 2L AG9303X2/2700/26W/80/A24	Ø58x300±1mm X2	2700	1900	26W	106	24°
2A9569 Iris 2L AG9303X2/3000/26W/80/A24	Ø58x300±1mm X2	3000	2000	26W	112	24°
2A9570 Iris 2L AG9303X2/3500/26W/80/A24	Ø58x300±1mm X2	3500	2050	26W	114	24°
2A9571 Iris 2L AG9303X2/4000/26W/80/A24	Ø58x300±1mm X2	4000	2100	26W	117	24°
2A9572 Iris 2L AG9303X2/2700/26W/80/A36	Ø58x300±1mm X2	2700	1900	26W	106	36°
2A9573 Iris 2L AG9303X2/3000/26W/80/A36	Ø58x300±1mm X2	3000	2000	26W	112	36°
2A9574 Iris 2L AG9303X2/3500/26W/80/A36	Ø58x300±1mm X2	3500	2050	26W	114	36°
2A9575 Iris 2L AG9303X2/4000/26W/80/A36	Ø58x300±1mm X2	4000	2100	26W	117	36°
2A9588 Iris 2S AG9301X2/AMB2200/8W/80/A28	Ø40x400±1mm X2	AMB2200	560	8W	70	20°
2A9589 Iris 2S AG9301X2/AMB2200/8W/80/A38	Ø40x400±1mm X2	AMB2200	560	8W	70	30°
2A9590 Iris 2S AG9301X2/AMB2200/18W/80/A28	Ø40x400±1mm X2	AMB2200	1220	18W	68	20°
2A9591 Iris 2S AG9301X2/AMB2200/18W/80/A38	Ø40x400±1mm X2	AMB2200	1220	18W	68	30°
2A9592 Iris 2M AG9302X2/AMB2200/10W/80/A24	Ø50x400±1mm X2	AMB2200	760	10W	76	15°
2A9593 Iris 2M AG9302X2/AMB2200/10W/80/A34	Ø50x400±1mm X2	AMB2200	760	10W	76	24°
2A9594 Iris 2M AG9302X2/AMB2200/10W/80/A39	Ø50x400±1mm X2	AMB2200	760	10W	76	36°
2A9595 Iris 2M AG9302X2/AMB2200/20W/80/A24	Ø50x400±1mm X2	AMB2200	1410	20W	71	15°
2A9596 Iris 2M AG9302X2/AMB2200/20W/80/A34	Ø50x400±1mm X2	AMB2200	1410	20W	71	24°
2A9597 Iris 2M AG9302X2/AMB2200/20W/80/A39	Ø50x400±1mm X2	AMB2200	1410	20W	71	36°
2A9598 Iris 2M AG9302X2/AMB2200/28W/80/A24	Ø50x400±1mm X2	AMB2200	1870	28W	67	15°
2A9599 Iris 2M AG9302X2/AMB2200/28W/80/A34	Ø50x400±1mm X2	AMB2200	1870	28W	67	24°
2A9600 Iris 2M AG9302X2/AMB2200/28W/80/A39	Ø50x400±1mm X2	AMB2200	1870	28W	67	36°
2A9601 Iris 2L AG9303X2/AMB2200/18W/80/A20	Ø58x300±1mm X2	AMB2200	690	18W	87	20°
2A9602 Iris 2L AG9303X2/AMB2200/18W/80/A24	Ø58x300±1mm X2	AMB2200	690	18W	87	24°
2A9603 Iris 2L AG9303X2/AMB2200/18W/80/A36	Ø58x300±1mm X2	AMB2200	690	18W	87	36°
2A9604 Iris 2L AG9303X2/AMB2200/26W/80/A20	Ø58x300±1mm X2	AMB2200	1490	26W	83	20°
2A9605 Iris 2L AG9303X2/AMB2200/26W/80/A24	Ø58x300±1mm X2	AMB2200	1490	26W	83	24°
2A9606 Iris 2L AG9303X2/AMB2200/26W/80/A36	Ø58x300±1mm X2	AMB2200	1490	26W	83	36°
2A9607 Iris 2L AG9303X2/AMB2200/36W/80/A20	Ø58x300±1mm X2	AMB2200	1990	36W	77	20°
2A9608 Iris 2L AG9303X2/AMB2200/36W/80/A24	Ø58x300±1mm X2	AMB2200	1990	36W	77	24°
2A9609 Iris 2L AG9303X2/AMB2200/36W/80/A36	Ø58x300±1mm X2	AMB2200	1990	36W	77	36°
<b>CRI 93</b>						
2A9610 Iris 2S AG9301X2/AGI3000/14W/93/A28	Ø40x400±1mm X2	AGI3000	750	14W	54	20°
2A9611 Iris 2S AG9301X2/AGI3500/14W/93/A28	Ø40x400±1mm X2	AGI3500	760	14W	55	20°
2A9612 Iris 2S AG9301X2/AGI4000/14W/93/A28	Ø40x400±1mm X2	AGI4000	780	14W	56	20°
2A9613 Iris 2S AG9301X2/AGI3000/14W/93/A38	Ø40x400±1mm X2	AGI3000	750	14W	54	30°

## SKU SPECIFICATIONS

Product Code	Dimensions (mm)	CCT (K)	Lumens (lm)	Power (W)	Eff. (lm/watt)	Lens Angle (°)
<b>CRI 93</b>						
2A9614 Iris 2S AG9301X2/AGI3500/14W/93/A38	Ø40x400±1mm X2	AGI3500	760	14W	55	30°
2A9615 Iris 2S AG9301X2/AGI4000/14W/93/A38	Ø40x400±1mm X2	AGI4000	780	14W	56	30°
2A9616 Iris 2S AG9301X2/AGI3000/20W/93/A28	Ø40x400±1mm X2	AGI3000	1000	20W	50	20°
2A9617 Iris 2S AG9301X2/AGI3500/20W/93/A28	Ø40x400±1mm X2	AGI3500	1020	20W	51	20°
2A9618 Iris 2S AG9301X2/AGI4000/20W/93/A28	Ø40x400±1mm X2	AGI4000	1040	20W	52	20°
2A9619 Iris 2S AG9301X2/AGI3000/20W/93/A38	Ø40x400±1mm X2	AGI3000	1000	20W	50	30°
2A9620 Iris 2S AG9301X2/AGI3500/20W/93/A38	Ø40x400±1mm X2	AGI3500	1020	20W	51	30°
2A9621 Iris 2S AG9301X2/AGI4000/20W/93/A38	Ø40x400±1mm X2	AGI4000	1040	20W	52	30°
2A9622 Iris 2M AG9302X2/AGI3000/8W/93/A24	Ø50x400±1mm X2	AGI3000	510	8W	64	15°
2A9623 Iris 2M AG9302X2/AGI3500/8W/93/A24	Ø50x400±1mm X2	AGI3500	520	8W	65	15°
2A9624 Iris 2M AG9302X2/AGI4000/8W/93/A24	Ø50x400±1mm X2	AGI4000	530	8W	67	15°
2A9625 Iris 2M AG9302X2/AGI3000/8W/93/A34	Ø50x400±1mm X2	AGI3000	510	8W	64	24°
2A9626 Iris 2M AG9302X2/AGI3500/8W/93/A34	Ø50x400±1mm X2	AGI3500	520	8W	65	24°
2A9627 Iris 2M AG9302X2/AGI4000/8W/93/A34	Ø50x400±1mm X2	AGI4000	530	8W	67	24°
2A9628 Iris 2M AG9302X2/AGI3000/8W/93/A39	Ø50x400±1mm X2	AGI3000	510	8W	64	36°
2A9629 Iris 2M AG9302X2/AGI3500/8W/93/A39	Ø50x400±1mm X2	AGI3500	520	8W	65	36°
2A9630 Iris 2M AG9302X2/AGI4000/8W/93/A39	Ø50x400±1mm X2	AGI4000	530	8W	67	36°
2A9631 Iris 2M AG9302X2/AGI3000/14W/93/A24	Ø50x400±1mm X2	AGI3000	920	14W	66	15°
2A9632 Iris 2M AG9302X2/AGI3500/14W/93/A24	Ø50x400±1mm X2	AGI3500	940	14W	68	15°
2A9633 Iris 2M AG9302X2/AGI4000/14W/93/A24	Ø50x400±1mm X2	AGI4000	960	14W	69	15°
2A9634 Iris 2M AG9302X2/AGI3000/14W/93/A34	Ø50x400±1mm X2	AGI3000	920	14W	66	24°
2A9635 Iris 2M AG9302X2/AGI3500/14W/93/A34	Ø50x400±1mm X2	AGI3500	940	14W	68	24°
2A9636 Iris 2M AG9302X2/AGI4000/14W/93/A34	Ø50x400±1mm X2	AGI4000	960	14W	69	24°
2A9637 Iris 2M AG9302X2/AGI3000/14W/93/A39	Ø50x400±1mm X2	AGI3000	920	14W	66	36°
2A9638 Iris 2M AG9302X2/AGI3500/14W/93/A39	Ø50x400±1mm X2	AGI3500	940	14W	68	36°
2A9639 Iris 2M AG9302X2/AGI4000/14W/93/A39	Ø50x400±1mm X2	AGI4000	960	14W	69	36°
2A9640 Iris 2M AG9302X2/AGI3000/22W/93/A24	Ø50x400±1mm X2	AGI3000	1230	22W	56	15°
2A9641 Iris 2M AG9302X2/AGI3500/22W/93/A24	Ø50x400±1mm X2	AGI3500	1250	22W	57	15°
2A9642 Iris 2M AG9302X2/AGI4000/22W/93/A24	Ø50x400±1mm X2	AGI4000	1280	22W	59	15°
2A9643 Iris 2M AG9302X2/AGI3000/22W/93/A34	Ø50x400±1mm X2	AGI3000	1230	22W	56	24°
2A9644 Iris 2M AG9302X2/AGI3500/22W/93/A34	Ø50x400±1mm X2	AGI3500	1250	22W	57	24°
2A9645 Iris 2M AG9302X2/AGI4000/22W/93/A34	Ø50x400±1mm X2	AGI4000	1280	22W	59	24°
2A9646 Iris 2M AG9302X2/AGI3000/22W/93/A39	Ø50x400±1mm X2	AGI3000	1230	22W	56	36°
2A9647 Iris 2M AG9302X2/AGI3500/22W/93/A39	Ø50x400±1mm X2	AGI3500	1250	22W	57	36°
2A9648 Iris 2M AG9302X2/AGI4000/22W/93/A39	Ø50x400±1mm X2	AGI4000	1280	22W	59	36°
2A9658 Iris 2L AG9303X2/AGI3000/14W/93/A20	Ø58x300±1mm X2	AGI3000	970	14W	70	20°
2A9659 Iris 2L AG9303X2/AGI3500/14W/93/A20	Ø58x300±1mm X2	AGI3500	990	14W	71	20°
2A9660 Iris 2L AG9303X2/AGI4000/14W/93/A20	Ø58x300±1mm X2	AGI4000	1010	14W	73	20°
2A9661 Iris 2L AG9303X2/AGI3000/14W/93/A24	Ø58x300±1mm X2	AGI3000	970	14W	70	24°
2A9662 Iris 2L AG9303X2/AGI3500/14W/93/A24	Ø58x300±1mm X2	AGI3500	990	14W	71	24°
2A9663 Iris 2L AG9303X2/AGI4000/14W/93/A24	Ø58x300±1mm X2	AGI4000	1010	14W	73	24°
2A9664 Iris 2L AG9303X2/AGI3000/14W/93/A36	Ø58x300±1mm X2	AGI3000	970	14W	70	36°
2A9665 Iris 2L AG9303X2/AGI3500/14W/93/A36	Ø58x300±1mm X2	AGI3500	990	14W	71	36°
2A9666 Iris 2L AG9303X2/AGI4000/14W/93/A36	Ø58x300±1mm X2	AGI4000	1010	14W	73	36°
2A9667 Iris 2L AG9303X2/AGI3000/20W/93/A20	Ø58x300±1mm X2	AGI3000	1290	20W	65	20°
2A9668 Iris 2L AG9303X2/AGI3500/20W/93/A20	Ø58x300±1mm X2	AGI3500	1320	20W	66	20°
2A9669 Iris 2L AG9303X2/AGI4000/20W/93/A20	Ø58x300±1mm X2	AGI4000	1340	20W	67	20°
2A9670 Iris 2L AG9303X2/AGI3000/20W/93/A24	Ø58x300±1mm X2	AGI3000	1290	20W	65	24°
2A9671 Iris 2L AG9303X2/AGI3500/20W/93/A24	Ø58x300±1mm X2	AGI3500	1320	20W	66	24°
2A9672 Iris 2L AG9303X2/AGI4000/20W/93/A24	Ø58x300±1mm X2	AGI4000	1340	20W	67	24°
2A9673 Iris 2L AG9303X2/AGI3000/20W/93/A36	Ø58x300±1mm X2	AGI3000	1290	20W	65	36°
2A9674 Iris 2L AG9303X2/AGI3500/20W/93/A36	Ø58x300±1mm X2	AGI3500	1320	20W	66	36°

## SKU SPECIFICATIONS

Product Code	Dimensions (mm)	CCT (K)	Lumens (lm)	Power (W)	Eff. (lm/watt)	Lens Angle (°)
<b>CRI 93</b>						
2A9675 Iris 2L AG9303X2/AGI4000/20W/93/A36	Ø58x300±1mm X2	AGI4000	1340	20W	67	36°