



Empire R

RECESSED DOWNLIGHTS & SPOTLIGHTS | ECO-DALI EM

Empire R is a round recessed luminaire with three different diameters. Easy to install thanks to a clever mechanism. Provides the perfect combination of efficiency, light comfort, and design, without compromising on lighting performance. COB technology makes this line suitable for accent lighting and for special temperature colors. The housing comes in three color options- signal white, jet black and white aluminum – to fit all the particular environments.

Empire R recessed luminaires come in several series, with various add-on and controls:

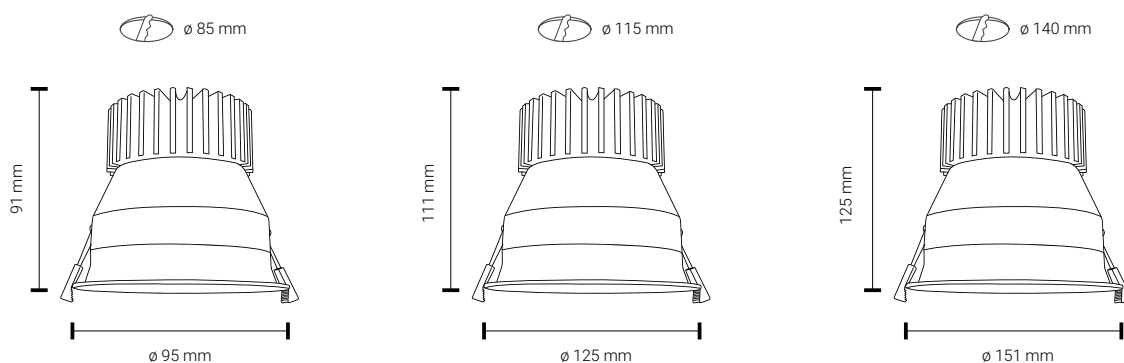
- Empire R TEC – the standard for any project in the retail, health or hospitality sectors
- Empire R TEC-EM – with emergency lighting kit of 1h and 3 h
- Empire R ECO-DALI – with DALI controls for illumination adjustments
- **Empire R ECO-DALI EM - with both dimming and emergency kit**

APPLICATION

Grocery & Supermarkets | Retail | Office | Healthcare | Hospitality | DIY

FEATURES & BENEFITS

- CRI ≥ 80 as standard, up to 98 for specific special color temperatures
- 15 color temperatures, specialized options included
- Luminaire efficiency: 110 lm/W @4000K
- Optics – three angles 25°, 45°, 50°
- Dimmable
- With emergency kits of 1h and 3 h for EM series only



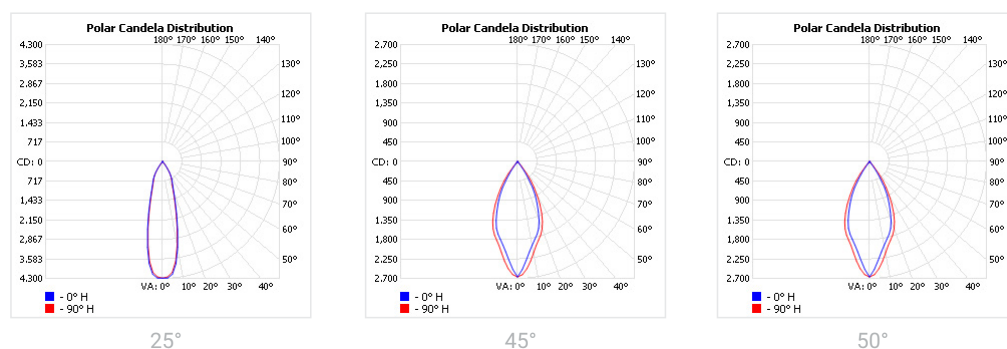
SPECIFICATIONS

Power consumption	12W, 14W, 17W, 20W	12W, 14W, 17W, 20W, 23W, 27W	12W, 14W, 17W, 20W, 23W, 27W
Dimensions	D95xH91xØ85mm±1mm	D125xH111xØ115mm±1mm	D151xH128xØ140mm±1mm
Weight	1 - 1.3 Kg	1.2 - 1.5 Kg	1.5 - 1.8 Kg
Housing materials	Aluminium, glass		
IK code	IK02		
THD (at 230V, 50Hz, Full load)	<20%		
Protection class	Safety class 1		
Operating temperature [°C]	+5°C ... +40°C / +41F ... +104F		
Operating humidity [%]	10 ÷ 85		
Power factor	≥0.95		
AC Input [Vac]	220 - 240 VAC		
Lens angle [°]	25°, 45°, 50°		
Lifespan [h]	50,000		
Housing color	○ RAL 9003 - Signal White, ● RAL 9005 - Jet Black, ● RAL 9006 - White Aluminium		
Lumen maintenance	L90/B10@50,000h at 25°C		
IP factor	IP20		
Control optional	DALI-ECO		
Warranty [years]	5		
Storage temperature range [°C]	+5 °C ... +25°C / +41F ... +77F		
Emergency option	EM1H, EM3H		

#	Standard	Food	Fashion	AGI	Enhanced	ART	AMB	SUNSET
CRI	CRI80	CRI80	CRI95	CRI93	CRI90 / CRI95	CRI98	CRI80	CRI90
CCT [K]	2700 / 3000 / 3500 / 4000	BVF / FBS / FZM / FSM / FSH	FAS	AGI 3000 / 3500 / 4000	2700 / 3000 / 3500 / 4000	3000	2200	1800...2700
MacAdam	3	3 / 4 / 4 / 3 / 3	3	3	2	2	3	3

CRI - Color rendering, CCT - Color temperature, MacAdam - Color consistency

LIGHT DISTRIBUTION



TOLERANCES

Luminous flux tolerances: -/+ 5%

Consumption tolerance: -/+ 5% for TEC | -/+ 10% for TEC & KIT EM | -/+ 10% for ECO-DALI | -/+ 15% for ECO-DALI & KIT EM

BATTERY WARRANTY

TEC EM & ECO EM: 12 months warranty

TEC & ECO: -

MAXIMUM NO. OF LUMINAIRES ON A CIRCUIT

Power	Control type	Circuit Breaker Type						
		Amperage	B			C		
			20	16	10	20	16	10
12-21W	TEC		62	50	31	104	85	52
23-35W	TEC		30	24	14	51	40	24
42W	TEC		20	16	8	38	32	16
50W	TEC		18	15	7	35	29	15
12-14W	ECO		44	35	21	73	58	35
16-21W	ECO		40	32	18	66	53	30
23-42W	ECO		28	22	13	46	36	21
50W	ECO		21	16	10	35	26	16

RISK GROUP

Standard (CRI80)	RG1
FOOD (BVF, FBS, FSM)	RG1
FOOD <20W (FZM, FSH)	RG2 (dthr=1.8m)
FOOD >20W (FZM, FSH)	RG2 (dthr=2.2m)
FAS	RG1
AMB2200	RG1
ART	RG1
AGI	RG1
CRI90	RG1
CRI95	RG1
SUNSET	RG1
ENT	RG1

RG1

The evaluation of photobiological safety is carried out according to the standard IEC 62471:2008 ("Photobiological safety of lamps and lamp systems"). Following the definition of the risk grouping system of the mentioned IEC standard, the LEDs mounted on this family fall into the class "Low Risk (RG1 – No photobiological hazard under normal behavioral limitations)". Under real circumstances (regarding exposure time, pupils, observation distance), it is assumed that there is no endangerment to the eye from these devices. As a matter of principle, however, it should be mentioned that intense light sources have a high secondary exposure potential due to their blinding effect.

RG2

The evaluation of photobiological safety is carried out according to the standard IEC 62471:2008 ("Photobiological safety of lamps and lamp systems"). Following the definition of the risk grouping system of the mentioned IEC standard, the LEDs mounted on this family fall into the class "Moderate Risk (RG2)". Under real circumstances (regarding exposure time, pupils, observation distance), it is assumed that there is no endangerment to the eye from these devices. As a matter of principle, however, it should be mentioned that intense light sources have a high secondary exposure potential due to their blinding effect.

SKU SPECIFICATIONS

Product Code	Dimensions (mm)	CCT (K)	Lumens (lm)	Power (W)	Eff. (lm/watt)	Lens Angle (°)
CRI 80						
205124 EmpireR D33001/2700/14W/80/A25/EM1H	D95xH91xØ85mm±1mm	2700	1200	14W	86	25°
205125 EmpireR D33001/3000/14W/80/A25/EM1H	D95xH91xØ85mm±1mm	3000	1215	14W	87	25°
205126 EmpireR D33001/3500/14W/80/A25/EM1H	D95xH91xØ85mm±1mm	3500	1245	14W	89	25°
205127 EmpireR D33001/4000/14W/80/A25/EM1H	D95xH91xØ85mm±1mm	4000	1270	14W	91	25°
205129 EmpireR D33001/2700/14W/80/A45/EM1H	D95xH91xØ85mm±1mm	2700	1200	14W	86	45°
205130 EmpireR D33001/3000/14W/80/A45/EM1H	D95xH91xØ85mm±1mm	3000	1215	14W	87	45°
205131 EmpireR D33001/3500/14W/80/A45/EM1H	D95xH91xØ85mm±1mm	3500	1245	14W	89	45°
205132 EmpireR D33001/4000/14W/80/A45/EM1H	D95xH91xØ85mm±1mm	4000	1270	14W	91	45°
205134 EmpireR D33001/2700/20W/80/A25/EM1H	D95xH91xØ85mm±1mm	2700	1650	20W	83	25°
205135 EmpireR D33001/3000/20W/80/A25/EM1H	D95xH91xØ85mm±1mm	3000	1665	20W	84	25°
205136 EmpireR D33001/3500/20W/80/A25/EM1H	D95xH91xØ85mm±1mm	3500	1710	20W	86	25°
205137 EmpireR D33001/4000/20W/80/A25/EM1H	D95xH91xØ85mm±1mm	4000	1745	20W	88	25°
205139 EmpireR D33001/2700/20W/80/A45/EM1H	D95xH91xØ85mm±1mm	2700	1650	20W	83	45°
205140 EmpireR D33001/3000/20W/80/A45/EM1H	D95xH91xØ85mm±1mm	3000	1665	20W	84	45°
205141 EmpireR D33001/3500/20W/80/A45/EM1H	D95xH91xØ85mm±1mm	3500	1710	20W	86	45°
205142 EmpireR D33001/4000/20W/80/A45/EM1H	D95xH91xØ85mm±1mm	4000	1745	20W	88	45°
205144 EmpireR D33002/2700/14W/80/A45/EM1H	D125xH111xØ115mm±1mm	2700	1440	14W	103	45°
205145 EmpireR D33002/3000/14W/80/A45/EM1H	D125xH111xØ115mm±1mm	3000	1455	14W	104	45°
205146 EmpireR D33002/3500/14W/80/A45/EM1H	D125xH111xØ115mm±1mm	3500	1495	14W	107	45°
205147 EmpireR D33002/4000/14W/80/A45/EM1H	D125xH111xØ115mm±1mm	4000	1525	14W	109	45°
205149 EmpireR D33002/2700/20W/80/A45/EM1H	D125xH111xØ115mm±1mm	2700	2010	20W	101	45°
205150 EmpireR D33002/3000/20W/80/A45/EM1H	D125xH111xØ115mm±1mm	3000	2025	20W	102	45°
205151 EmpireR D33002/3500/20W/80/A45/EM1H	D125xH111xØ115mm±1mm	3500	2080	20W	104	45°
205152 EmpireR D33002/4000/20W/80/A45/EM1H	D125xH111xØ115mm±1mm	4000	2120	20W	106	45°
205154 EmpireR D33002/2700/27W/80/A45/EM1H	D125xH111xØ115mm±1mm	2700	2805	27W	104	45°
205155 EmpireR D33002/3000/27W/80/A45/EM1H	D125xH111xØ115mm±1mm	3000	2830	27W	105	45°
205156 EmpireR D33002/3500/27W/80/A45/EM1H	D125xH111xØ115mm±1mm	3500	2905	27W	108	45°
205157 EmpireR D33002/4000/27W/80/A45/EM1H	D125xH111xØ115mm±1mm	4000	2965	27W	110	45°
205159 EmpireR D33003/2700/14W/80/A50/EM1H	D151xH128xØ140mm±1mm	2700	1440	14W	103	50°
205160 EmpireR D33003/3000/14W/80/A50/EM1H	D151xH128xØ140mm±1mm	3000	1455	14W	104	50°
205161 EmpireR D33003/3500/14W/80/A50/EM1H	D151xH128xØ140mm±1mm	3500	1495	14W	107	50°
205162 EmpireR D33003/4000/14W/80/A50/EM1H	D151xH128xØ140mm±1mm	4000	1525	14W	109	50°
205164 EmpireR D33003/2700/20W/80/A50/EM1H	D151xH128xØ140mm±1mm	2700	2010	20W	101	50°
205165 EmpireR D33003/3000/20W/80/A50/EM1H	D151xH128xØ140mm±1mm	3000	2025	20W	102	50°
205166 EmpireR D33003/3500/20W/80/A50/EM1H	D151xH128xØ140mm±1mm	3500	2080	20W	104	50°
205167 EmpireR D33003/4000/20W/80/A50/EM1H	D151xH128xØ140mm±1mm	4000	2120	20W	106	50°
205169 EmpireR D33003/2700/27W/80/A50/EM1H	D151xH128xØ140mm±1mm	2700	2805	27W	104	50°
205170 EmpireR D33003/3000/27W/80/A50/EM1H	D151xH128xØ140mm±1mm	3000	2830	27W	105	50°
205171 EmpireR D33003/3500/27W/80/A50/EM1H	D151xH128xØ140mm±1mm	3500	2905	27W	108	50°
205172 EmpireR D33003/4000/27W/80/A50/EM1H	D151xH128xØ140mm±1mm	4000	2965	27W	110	50°
205330 EmpireR D33002/BVF/27W/80/A45/EM1H	D125xH111xØ115mm±1mm	BVF	2220	27W	83	45°
205331 EmpireR D33002/FBS/27W/80/A45/EM1H	D125xH111xØ115mm±1mm	FBS	1515	27W	57	45°
205332 EmpireR D33002/FZM/27W/80/A45/EM1H	D125xH111xØ115mm±1mm	FZM	1455	27W	54	45°
205333 EmpireR D33002/FSM/27W/80/A45/EM1H	D125xH111xØ115mm±1mm	FSM	1480	27W	55	45°
205334 EmpireR D33002/FSH/27W/80/A45/EM1H	D125xH111xØ115mm±1mm	FSH	2170	27W	81	45°
205335 EmpireR D33003/BVF/27W/80/A50/EM1H	D151xH128xØ140mm±1mm	BVF	2220	27W	83	50°
205336 EmpireR D33003/FBS/27W/80/A50/EM1H	D151xH128xØ140mm±1mm	FBS	1515	27W	57	50°
205337 EmpireR D33003/FZM/27W/80/A50/EM1H	D151xH128xØ140mm±1mm	FZM	1455	27W	54	50°
205338 EmpireR D33003/FSM/27W/80/A50/EM1H	D151xH128xØ140mm±1mm	FSM	1480	27W	55	50°
205339 EmpireR D33003/FSH/27W/80/A50/EM1H	D151xH128xØ140mm±1mm	FSH	2170	27W	81	50°
205174 EmpireR D33001/2700/14W/80/A25/EM3H	D95xH91xØ85mm±1mm	2700	1200	14W	86	25°
205175 EmpireR D33001/3000/14W/80/A25/EM3H	D95xH91xØ85mm±1mm	3000	1215	14W	87	25°

SKU SPECIFICATIONS

Product Code	Dimensions (mm)	CCT (K)	Lumens (lm)	Power (W)	Eff. (lm/watt)	Lens Angle (°)
CRI 80						
205176 EmpireR D33001/3500/14W/80/A25/EM3H	D95xH91xØ85mm±1mm	3500	1245	14W	89	25°
205177 EmpireR D33001/4000/14W/80/A25/EM3H	D95xH91xØ85mm±1mm	4000	1270	14W	91	25°
205179 EmpireR D33001/2700/14W/80/A45/EM3H	D95xH91xØ85mm±1mm	2700	1200	14W	86	45°
205180 EmpireR D33001/3000/14W/80/A45/EM3H	D95xH91xØ85mm±1mm	3000	1215	14W	87	45°
205181 EmpireR D33001/3500/14W/80/A45/EM3H	D95xH91xØ85mm±1mm	3500	1245	14W	89	45°
205182 EmpireR D33001/4000/14W/80/A45/EM3H	D95xH91xØ85mm±1mm	4000	1270	14W	91	45°
205184 EmpireR D33001/2700/20W/80/A25/EM3H	D95xH91xØ85mm±1mm	2700	1650	20W	83	25°
205185 EmpireR D33001/3000/20W/80/A25/EM3H	D95xH91xØ85mm±1mm	3000	1665	20W	84	25°
205186 EmpireR D33001/3500/20W/80/A25/EM3H	D95xH91xØ85mm±1mm	3500	1710	20W	86	25°
205187 EmpireR D33001/4000/20W/80/A25/EM3H	D95xH91xØ85mm±1mm	4000	1745	20W	88	25°
205189 EmpireR D33001/2700/20W/80/A45/EM3H	D95xH91xØ85mm±1mm	2700	1650	20W	83	45°
205190 EmpireR D33001/3000/20W/80/A45/EM3H	D95xH91xØ85mm±1mm	3000	1665	20W	84	45°
205191 EmpireR D33001/3500/20W/80/A45/EM3H	D95xH91xØ85mm±1mm	3500	1710	20W	86	45°
205192 EmpireR D33001/4000/20W/80/A45/EM3H	D95xH91xØ85mm±1mm	4000	1745	20W	88	45°
205194 EmpireR D33002/2700/14W/80/A45/EM3H	D125xH111xØ115mm±1mm	2700	1440	14W	103	45°
205195 EmpireR D33002/3000/14W/80/A45/EM3H	D125xH111xØ115mm±1mm	3000	1455	14W	104	45°
205196 EmpireR D33002/3500/14W/80/A45/EM3H	D125xH111xØ115mm±1mm	3500	1495	14W	107	45°
205197 EmpireR D33002/4000/14W/80/A45/EM3H	D125xH111xØ115mm±1mm	4000	1525	14W	109	45°
205199 EmpireR D33002/2700/20W/80/A45/EM3H	D125xH111xØ115mm±1mm	2700	2010	20W	101	45°
205200 EmpireR D33002/3000/20W/80/A45/EM3H	D125xH111xØ115mm±1mm	3000	2025	20W	102	45°
205201 EmpireR D33002/3500/20W/80/A45/EM3H	D125xH111xØ115mm±1mm	3500	2080	20W	104	45°
205202 EmpireR D33002/4000/20W/80/A45/EM3H	D125xH111xØ115mm±1mm	4000	2120	20W	106	45°
205204 EmpireR D33002/2700/27W/80/A45/EM3H	D125xH111xØ115mm±1mm	2700	2805	27W	104	45°
205205 EmpireR D33002/3000/27W/80/A45/EM3H	D125xH111xØ115mm±1mm	3000	2830	27W	105	45°
205206 EmpireR D33002/3500/27W/80/A45/EM3H	D125xH111xØ115mm±1mm	3500	2905	27W	108	45°
205207 EmpireR D33002/4000/27W/80/A45/EM3H	D125xH111xØ115mm±1mm	4000	2965	27W	110	45°
205209 EmpireR D33003/2700/14W/80/A50/EM3H	D151xH128xØ140mm±1mm	2700	1440	14W	103	50°
205210 EmpireR D33003/3000/14W/80/A50/EM3H	D151xH128xØ140mm±1mm	3000	1455	14W	104	50°
205211 EmpireR D33003/3500/14W/80/A50/EM3H	D151xH128xØ140mm±1mm	3500	1495	14W	107	50°
205212 EmpireR D33003/4000/14W/80/A50/EM3H	D151xH128xØ140mm±1mm	4000	1525	14W	109	50°
205214 EmpireR D33003/2700/20W/80/A50/EM3H	D151xH128xØ140mm±1mm	2700	2010	20W	101	50°
205215 EmpireR D33003/3000/20W/80/A50/EM3H	D151xH128xØ140mm±1mm	3000	2025	20W	102	50°
205216 EmpireR D33003/3500/20W/80/A50/EM3H	D151xH128xØ140mm±1mm	3500	2080	20W	104	50°
205217 EmpireR D33003/4000/20W/80/A50/EM3H	D151xH128xØ140mm±1mm	4000	2120	20W	106	50°
205219 EmpireR D33003/2700/27W/80/A50/EM3H	D151xH128xØ140mm±1mm	2700	2805	27W	104	50°
205220 EmpireR D33003/3000/27W/80/A50/EM3H	D151xH128xØ140mm±1mm	3000	2830	27W	105	50°
205221 EmpireR D33003/3500/27W/80/A50/EM3H	D151xH128xØ140mm±1mm	3500	2905	27W	108	50°
205222 EmpireR D33003/4000/27W/80/A50/EM3H	D151xH128xØ140mm±1mm	4000	2965	27W	110	50°
205347 EmpireR D33002/BVF/27W/80/A45/EM3H	D125xH111xØ115mm±1mm	BVF	2220	27W	83	45°
205348 EmpireR D33002/FBS/27W/80/A45/EM3H	D125xH111xØ115mm±1mm	FBS	1515	27W	57	45°
205349 EmpireR D33002/FZM/27W/80/A45/EM3H	D125xH111xØ115mm±1mm	FZM	1455	27W	54	45°
205350 EmpireR D33002/FSM/27W/80/A45/EM3H	D125xH111xØ115mm±1mm	FSM	1480	27W	55	45°
205351 EmpireR D33002/FSH/27W/80/A45/EM3H	D125xH111xØ115mm±1mm	FSH	2170	27W	81	45°
205352 EmpireR D33003/BVF/27W/80/A50/EM3H	D151xH128xØ140mm±1mm	BVF	2220	27W	83	50°
205353 EmpireR D33003/FBS/27W/80/A50/EM3H	D151xH128xØ140mm±1mm	FBS	1515	27W	57	50°
205354 EmpireR D33003/FZM/27W/80/A50/EM3H	D151xH128xØ140mm±1mm	FZM	1455	27W	54	50°
205355 EmpireR D33003/FSM/27W/80/A50/EM3H	D151xH128xØ140mm±1mm	FSM	1480	27W	55	50°
205356 EmpireR D33003/FSH/27W/80/A50/EM3H	D151xH128xØ140mm±1mm	FSH	2170	27W	81	50°
CRI 93						
205430 EmpireR D33001/AGI3000/12W/93/A25/EM1H	D95xH91xØ85mm±1mm	AGI3000	735	12W	62	25°
205431 EmpireR D33001/AGI3500/12W/93/A25/EM1H	D95xH91xØ85mm±1mm	AGI3500	780	12W	65	25°

SKU SPECIFICATIONS

Product Code	Dimensions (mm)	CCT (K)	Lumens (lm)	Power (W)	Eff. (lm/watt)	Lens Angle (°)
CRI 93						
205432 EmpireR D33001/AGI4000/12W/93/A25/EM1H	D95xH91xØ85mm±1mm	AGI4000	830	12W	70	25°
205433 EmpireR D33001/AGI3000/12W/93/A45/EM1H	D95xH91xØ85mm±1mm	AGI3000	735	12W	62	45°
205434 EmpireR D33001/AGI3500/12W/93/A45/EM1H	D95xH91xØ85mm±1mm	AGI3500	780	12W	65	45°
205435 EmpireR D33001/AGI4000/12W/93/A45/EM1H	D95xH91xØ85mm±1mm	AGI4000	830	12W	70	45°
205436 EmpireR D33001/AGI3000/17W/93/A25/EM1H	D95xH91xØ85mm±1mm	AGI3000	985	17W	58	25°
205437 EmpireR D33001/AGI3500/17W/93/A25/EM1H	D95xH91xØ85mm±1mm	AGI3500	1050	17W	62	25°
205438 EmpireR D33001/AGI4000/17W/93/A25/EM1H	D95xH91xØ85mm±1mm	AGI4000	1115	17W	66	25°
205439 EmpireR D33001/AGI3000/17W/93/A45/EM1H	D95xH91xØ85mm±1mm	AGI3000	985	17W	58	45°
205440 EmpireR D33001/AGI3500/17W/93/A45/EM1H	D95xH91xØ85mm±1mm	AGI3500	1050	17W	62	45°
205441 EmpireR D33001/AGI4000/17W/93/A45/EM1H	D95xH91xØ85mm±1mm	AGI4000	1115	17W	66	45°
205442 EmpireR D33002/AGI3000/12W/93/A45/EM1H	D125xH111xØ115mm±1mm	AGI3000	735	12W	62	45°
205443 EmpireR D33002/AGI3500/12W/93/A45/EM1H	D125xH111xØ115mm±1mm	AGI3500	780	12W	65	45°
205444 EmpireR D33002/AGI4000/12W/93/A45/EM1H	D125xH111xØ115mm±1mm	AGI4000	830	12W	70	45°
205445 EmpireR D33002/AGI3000/17W/93/A45/EM1H	D125xH111xØ115mm±1mm	AGI3000	985	17W	58	45°
205446 EmpireR D33002/AGI3500/17W/93/A45/EM1H	D125xH111xØ115mm±1mm	AGI3500	1050	17W	62	45°
205447 EmpireR D33002/AGI4000/17W/93/A45/EM1H	D125xH111xØ115mm±1mm	AGI4000	1115	17W	66	45°
205448 EmpireR D33002/AGI3000/23W/93/A45/EM1H	D125xH111xØ115mm±1mm	AGI3000	1330	23W	58	45°
205449 EmpireR D33002/AGI3500/23W/93/A45/EM1H	D125xH111xØ115mm±1mm	AGI3500	1440	23W	63	45°
205450 EmpireR D33002/AGI4000/23W/93/A45/EM1H	D125xH111xØ115mm±1mm	AGI4000	1550	23W	68	45°
205451 EmpireR D33003/AGI3000/12W/93/A50/EM1H	D151xH128xØ140mm±1mm	AGI3000	735	12W	62	50°
205452 EmpireR D33003/AGI3500/12W/93/A50/EM1H	D151xH128xØ140mm±1mm	AGI3500	780	12W	65	50°
205453 EmpireR D33003/AGI4000/12W/93/A50/EM1H	D151xH128xØ140mm±1mm	AGI4000	830	12W	70	50°
205454 EmpireR D33003/AGI3000/17W/93/A50/EM1H	D151xH128xØ140mm±1mm	AGI3000	985	17W	58	50°
205455 EmpireR D33003/AGI3500/17W/93/A50/EM1H	D151xH128xØ140mm±1mm	AGI3500	1050	17W	62	50°
205456 EmpireR D33003/AGI4000/17W/93/A50/EM1H	D151xH128xØ140mm±1mm	AGI4000	1115	17W	66	50°
205457 EmpireR D33003/AGI3000/23W/93/A50/EM1H	D151xH128xØ140mm±1mm	AGI3000	1330	23W	58	50°
205458 EmpireR D33003/AGI3500/23W/93/A50/EM1H	D151xH128xØ140mm±1mm	AGI3500	1440	23W	63	50°
205459 EmpireR D33003/AGI4000/23W/93/A50/EM1H	D151xH128xØ140mm±1mm	AGI4000	1550	23W	68	50°
205460 EmpireR D33001/AGI3000/12W/93/A25/EM3H	D95xH91xØ85mm±1mm	AGI3000	735	12W	62	25°
205461 EmpireR D33001/AGI3500/12W/93/A25/EM3H	D95xH91xØ85mm±1mm	AGI3500	780	12W	65	25°
205462 EmpireR D33001/AGI4000/12W/93/A25/EM3H	D95xH91xØ85mm±1mm	AGI4000	830	12W	70	25°
205463 EmpireR D33001/AGI3000/12W/93/A45/EM3H	D95xH91xØ85mm±1mm	AGI3000	735	12W	62	45°
205464 EmpireR D33001/AGI3500/12W/93/A45/EM3H	D95xH91xØ85mm±1mm	AGI3500	780	12W	65	45°
205465 EmpireR D33001/AGI4000/12W/93/A45/EM3H	D95xH91xØ85mm±1mm	AGI4000	830	12W	70	45°
205466 EmpireR D33001/AGI3000/17W/93/A25/EM3H	D95xH91xØ85mm±1mm	AGI3000	985	17W	58	25°
205467 EmpireR D33001/AGI3500/17W/93/A25/EM3H	D95xH91xØ85mm±1mm	AGI3500	1050	17W	62	25°
205468 EmpireR D33001/AGI4000/17W/93/A25/EM3H	D95xH91xØ85mm±1mm	AGI4000	1115	17W	66	25°
205469 EmpireR D33001/AGI3000/17W/93/A45/EM3H	D95xH91xØ85mm±1mm	AGI3000	985	17W	58	45°
205470 EmpireR D33001/AGI3500/17W/93/A45/EM3H	D95xH91xØ85mm±1mm	AGI3500	1050	17W	62	45°
205471 EmpireR D33001/AGI4000/17W/93/A45/EM3H	D95xH91xØ85mm±1mm	AGI4000	1115	17W	66	45°
205472 EmpireR D33002/AGI3000/12W/93/A45/EM3H	D125xH111xØ115mm±1mm	AGI3000	735	12W	62	45°
205473 EmpireR D33002/AGI3500/12W/93/A45/EM3H	D125xH111xØ115mm±1mm	AGI3500	780	12W	65	45°
205474 EmpireR D33002/AGI4000/12W/93/A45/EM3H	D125xH111xØ115mm±1mm	AGI4000	830	12W	70	45°
205475 EmpireR D33002/AGI3000/17W/93/A45/EM3H	D125xH111xØ115mm±1mm	AGI3000	985	17W	58	45°
205476 EmpireR D33002/AGI3500/17W/93/A45/EM3H	D125xH111xØ115mm±1mm	AGI3500	1050	17W	62	45°
205477 EmpireR D33002/AGI4000/17W/93/A45/EM3H	D125xH111xØ115mm±1mm	AGI4000	1115	17W	66	45°
205478 EmpireR D33002/AGI3000/23W/93/A45/EM3H	D125xH111xØ115mm±1mm	AGI3000	1330	23W	58	45°
205479 EmpireR D33002/AGI3500/23W/93/A45/EM3H	D125xH111xØ115mm±1mm	AGI3500	1440	23W	63	45°
205480 EmpireR D33002/AGI4000/23W/93/A45/EM3H	D125xH111xØ115mm±1mm	AGI4000	1550	23W	68	45°
205481 EmpireR D33003/AGI3000/12W/93/A50/EM3H	D151xH128xØ140mm±1mm	AGI3000	735	12W	62	50°
205482 EmpireR D33003/AGI3500/12W/93/A50/EM3H	D151xH128xØ140mm±1mm	AGI3500	780	12W	65	50°
205483 EmpireR D33003/AGI4000/12W/93/A50/EM3H	D151xH128xØ140mm±1mm	AGI4000	830	12W	70	50°

SKU SPECIFICATIONS

Product Code	Dimensions (mm)	CCT (K)	Lumens (lm)	Power (W)	Eff. (lm/watt)	Lens Angle (°)
CRI 93						
205484 EmpireR D33003/AGI3000/17W/93/A50/EM3H	D151xH128xØ140mm±1mm	AGI3000	985	17W	58	50°
205485 EmpireR D33003/AGI3500/17W/93/A50/EM3H	D151xH128xØ140mm±1mm	AGI3500	1050	17W	62	50°
205486 EmpireR D33003/AGI4000/17W/93/A50/EM3H	D151xH128xØ140mm±1mm	AGI4000	1115	17W	66	50°
205487 EmpireR D33003/AGI3000/23W/93/A50/EM3H	D151xH128xØ140mm±1mm	AGI3000	1330	23W	58	50°
205488 EmpireR D33003/AGI3500/23W/93/A50/EM3H	D151xH128xØ140mm±1mm	AGI3500	1440	23W	63	50°
205489 EmpireR D33003/AGI4000/23W/93/A50/EM3H	D151xH128xØ140mm±1mm	AGI4000	1550	23W	68	50°
CRI 95						
205328 EmpireR D33002/FAS/27W/95/A45/EM1H	D125xH111xØ115mm±1mm	FAS	2335	27W	87	45°
205329 EmpireR D33003/FAS/27W/95/A50/EM1H	D151xH128xØ140mm±1mm	FAS	2335	27W	87	50°
205345 EmpireR D33002/FAS/27W/95/A45/EM3H	D125xH111xØ115mm±1mm	FAS	2335	27W	87	45°
205346 EmpireR D33003/FAS/27W/95/A50/EM3H	D151xH128xØ140mm±1mm	FAS	2335	27W	87	50°
CRI 98						
205341 EmpireR D33002/ART3000/27W/98/A45/EM1H	D125xH111xØ115mm±1mm	ART3000	2155	27W	80	45°
205343 EmpireR D33003/ART3000/27W/98/A50/EM1H	D151xH128xØ140mm±1mm	ART3000	2155	27W	80	50°
205358 EmpireR D33002/ART3000/27W/98/A45/EM3H	D125xH111xØ115mm±1mm	ART3000	2155	27W	80	45°
205360 EmpireR D33003/ART3000/27W/98/A50/EM3H	D151xH128xØ140mm±1mm	ART3000	2155	27W	80	50°