

Jasper

Surface Mounted & Suspended



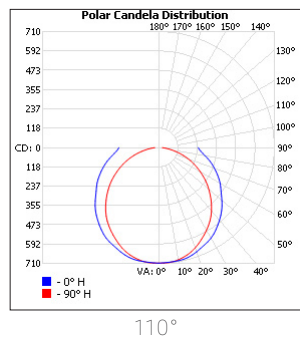
FEATURES & BENEFITS

- Available in three form factors: 60cm, 120cm and 150cm
- One temperature: 4000K
- Robust and waterproof with IP66
- Lens angle: 110°
- Color rendering index: 80
- Efficiency @4000K: 144 lm/W

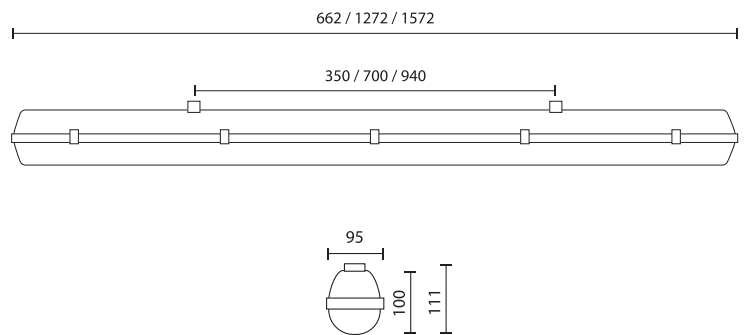
APPLICATIONS

Shipping | Storage Facilities | Workshops |
Industrial & Logistics | Parking

LIGHT DISTRIBUTION



TECHNICAL DRAW



SPECIFICATIONS

Power	19W	22W, 27W, 32W, 38W	27W, 34W, 41W, 49W
Dimensions	662 x 95 x 100 ± 1mm	1272 x 95 x 100 ± 1mm	1572 x 95 x 100 ± 1mm
Color Rendering	CRI80		
Housing materials	Polycarbonate		
IK Code	IK10		
Operating temperature (°C) for Non-DALI	-20C...+40C/-4F...+104F		
Operating humidity (%)	10 ÷ 85		
Power factor	≥0.95		
AC Input	220-240 Vac		
Color temperature	4000K		
Lens angle (°)	110°		
Lifespan (h)	50000		
Housing color	Grey		
Color consistency	MacAdam 4		
Lumen maintenance	L70/B50@50.000h at 85°C		
IP Rating	IP66		
Control option	-		
Warranty (years)	5 years		
Efficiency @4000K	144 lm/W		
Luminous flux tolerance	+/- 10%		
Consumption tolerance	Non-DALI +/- 10% / Non-DALI + KIT EM +/-10%		
Risk group	<p>RG2</p> <p>The evaluation of photobiological safety is carried out according to the standard IEC 62471:2008 ("Photobiological safety of lamps and lamp systems"). Following the definition of the risk grouping system of the mentioned IEC standard, the LEDs mounted on this family fall into the class "Moderate Risk (RG2)". Under real circumstances (regarding exposure time, pupils, observation distance), it is assumed that there is no endangerment to the eye from these devices. As a matter of principle, however, it should be mentioned that intense light sources have a high secondary exposure potential due to their blinding effect.</p>		

MAXIMUM NO. OF LUMINAIRES ON A CIRCUIT

Luminaire Power(W)	Control type	Circuit Breaker Type					
		B			C		
		20	16	10	20	16	10
12-13W	-	48	38	24	80	63	40
37-50W	-	30	24	14	50	40	32
55W	-	28	22	13	46	36	21

SKU SPECIFICATIONS

Article Number	Dimensions (mm)	CCT (K)	Lumens (lm)	Power (W)	Efficiency (lm/watt)	Lens angle (degrees)	Weight (kg)
174200 Jasper 60IP66/4000/19W/80/A110	662 x 95 x 100 ± 1mm	4000	2450	19	129	110°	1.2 Kg
174201 Jasper 120IP66/4000/22W/80/A110	1272 x 95 x 100 ± 1mm	4000	3080	22	140	110°	1.7 Kg
174202 Jasper 120IP66/4000/27W/80/A110	1272 x 95 x 100 ± 1mm	4000	3730	27	138	110°	1.7 Kg
174203 Jasper 120IP66/4000/32W/80/A110	1272 x 95 x 100 ± 1mm	4000	4330	32	135	110°	1.7 Kg
174204 Jasper 120IP66/4000/38W/80/A110	1272 x 95 x 100 ± 1mm	4000	4910	38	129	110°	1.7 Kg
174205 Jasper 150IP66/4000/27W/80/A110	1572 x 95 x 100 ± 1mm	4000	3880	27	144	110°	2.1 Kg
174206 Jasper 150IP66/4000/34W/80/A110	1572 x 95 x 100 ± 1mm	4000	4750	34	140	110°	2.1 Kg
174207 Jasper 150IP66/4000/41W/80/A110	1572 x 95 x 100 ± 1mm	4000	5530	41	135	110°	2.1 Kg
174208 Jasper 150IP66/4000/49W/80/A110	1572 x 95 x 100 ± 1mm	4000	6330	49	129	110°	2.1 Kg